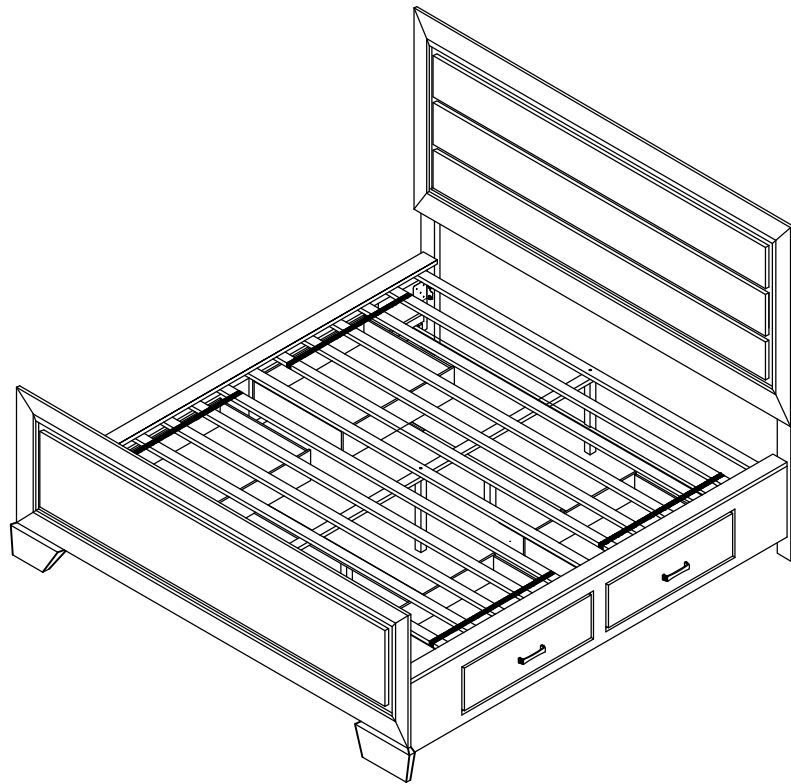


ASSEMBLY INSTRUCTIONS



Fine Furniture for every stage of life

California King Storage Bed

REVISION 0 : 11/14/2016
REVISION 1 : 01/21/2020

ASSEMBLY INSTRUCTIONS

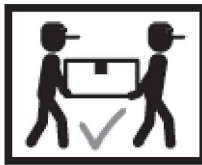
ASSEMBLY TIPS:

- 1 . Remove hardware from box and sort by size.
- 2 . Please check to see that all hardware and parts are present prior to start of assembly.
- 3 . Please follow attached instructions in the same sequence as numbered to assure fast & easy assembly.



WARNING !

- 1 . Don't attempt to repair or modify parts that are broken or defective. Please contact the store immediately.
- 2 . This product is for home use only and not intended for commercial establishment.

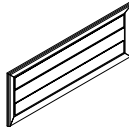
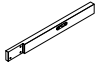
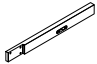
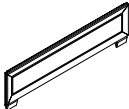


ASSEMBLY TIME


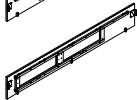
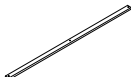

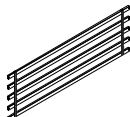

30 MINUTES

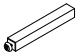



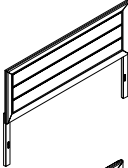
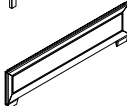
PARTS IDENTIFICATION

B1 (BOX 1)

A	HEADBOARD PANEL		1PC
B	LEFT HEADBOARD LEG		1PC
C	RIGHT HEADBOARD LEG		1PC
D	FOOTBOARD		1PC

B2 (BOX 2)

E	LEFT BED RAIL		1PC
F	RIGHT BED RAIL		1PC
G	BED SLAT WITH 3 HOLES		3PCS
H	DRAWER SLAT		2PCS
I	ROLL SLAT (5PCS)		2SETS
J	STORAGE FOOTBOARD SUPPORT LEG		2PCS

K	CENTER RAIL SUPPORT WITH LEVELER		3PCS
L	CENTER RAIL		1PC
M	BOTTOM CROSS BAR		3PCS
N	RAIL TOP		2PCS
HB	FROM BOX 1 HEADBOARD COMPLETE		1PC
D	FROM BOX 1 FOOTBOARD		1PC

B3 (BOX 3)

O	DRAWER BOX		2PCS
---	------------	---	------

B4 (BOX 4)

P	DRAWER BOX		2PCS
---	------------	---	------

ASSEMBLY INSTRUCTIONS

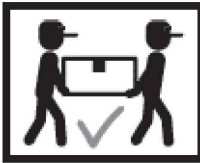
ASSEMBLY TIPS:

- 1 . Remove hardware from box and sort by size.
- 2 . Please check to see that all hardware and parts are present prior to start of assembly.
- 3 . Please follow attached instructions in the same sequence as numbered to assure fast & easy assembly.



WARNING !

- 1 . Don't attempt to repair or modify parts that are broken or defective. Please contact the store immediately.
- 2 . This product is for home use only and not intended for commercial establishment.



ASSEMBLY TIME

30 MINUTES

HARDWARE IDENTIFICATION

BOX 1 - HARDWARE PACK

1 BOLT
(M6 x 30mm - BLK)



6PCS

2 LOCK WASHER
(1/4" - BLK)



6PCS

3 FLAT WASHER
(1/4" x 13mm - BLK)



6PCS

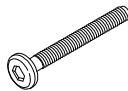
4 ALLEN WRENCH
(M4 x 65mm - BLK)



1PC

BOX 2 - HARDWARE PACK

5 LONG BOLT
(M6 x 50mm - BLK)



5PCS

6 SHORT BOLT
(M6 x 35mm - BLK)



8PCS

7 LOCK WASHER
(1/4" - BLK)



8PCS

8 FLAT WASHER
(1/4" x 20mm - BLK)



8PCS

9 LONG FLAT HEAD
SCREW
(M4 x 32mm - RBW)



43PCS

10 SHORT FLAT HEAD
SCREW
(M4 x 16mm - RBW)



4PCS

11 SMALL ALLEN
WRENCH
(M4 x 100mm - BLK)



1PC

12 BIG ALLEN
WRENCH
(M5 x 65mm - BLK)



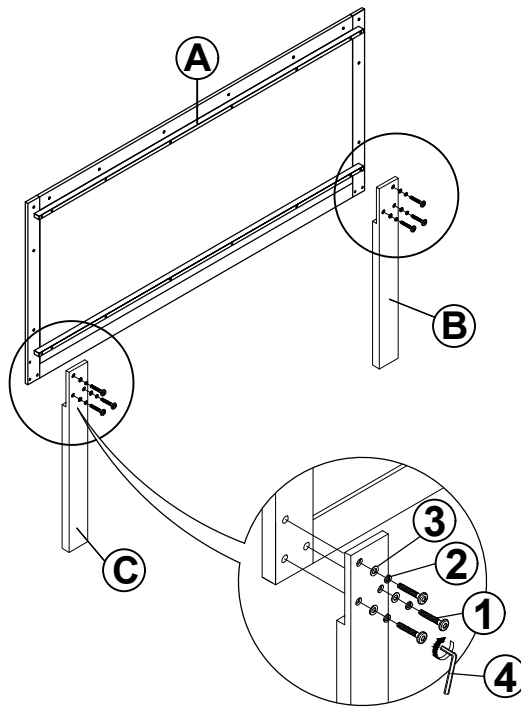
1PC

NOTE:

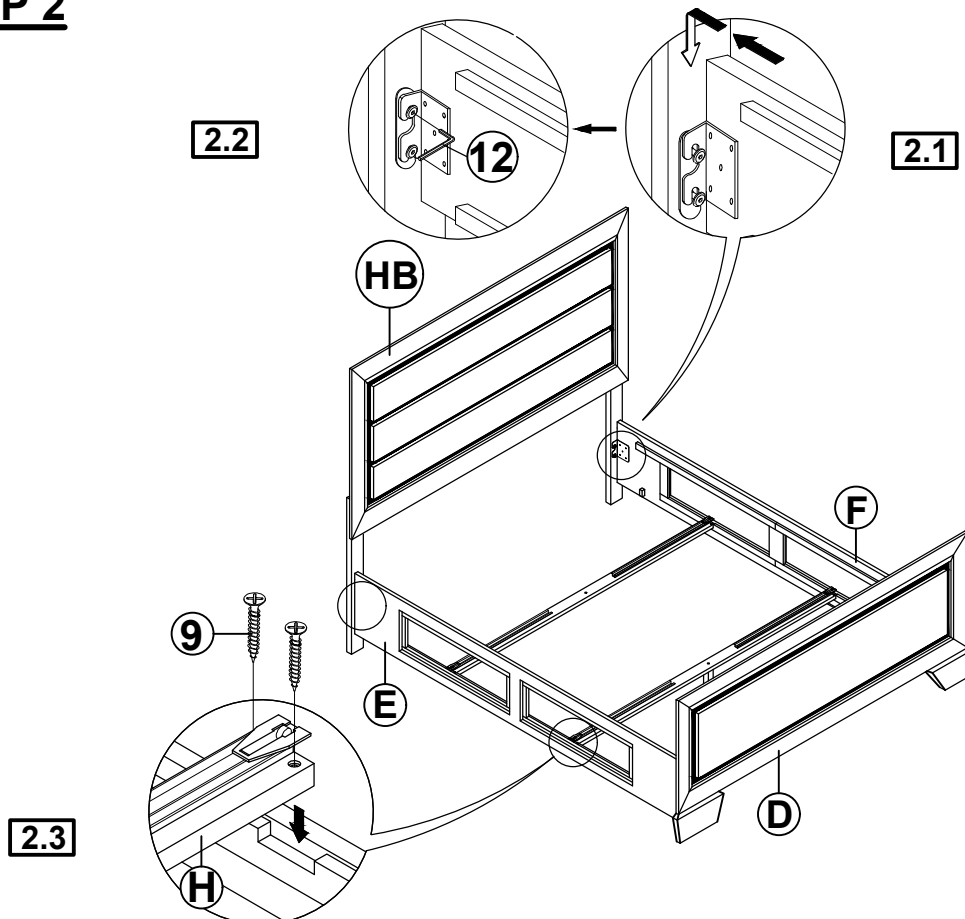
Philips head screw driver in the assembly process ; however, manufacturer does not provide the item

ASSEMBLY INSTRUCTIONS

STEP 1

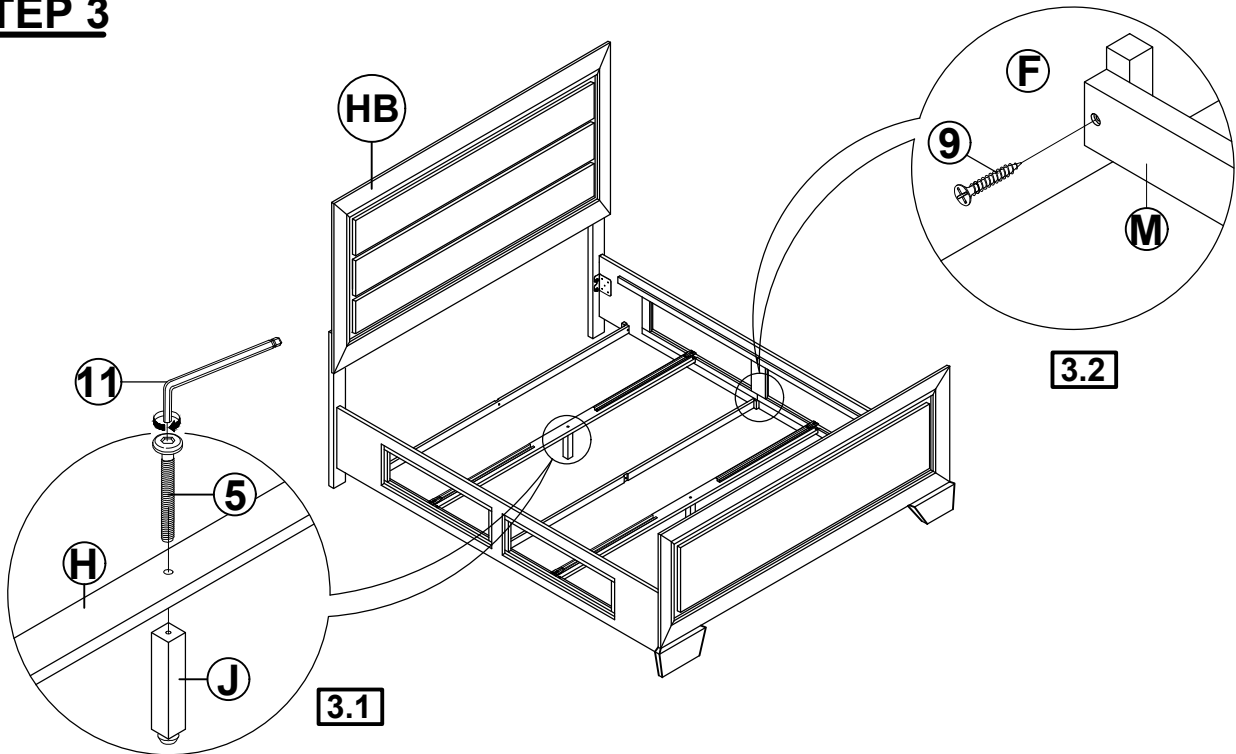


STEP 2

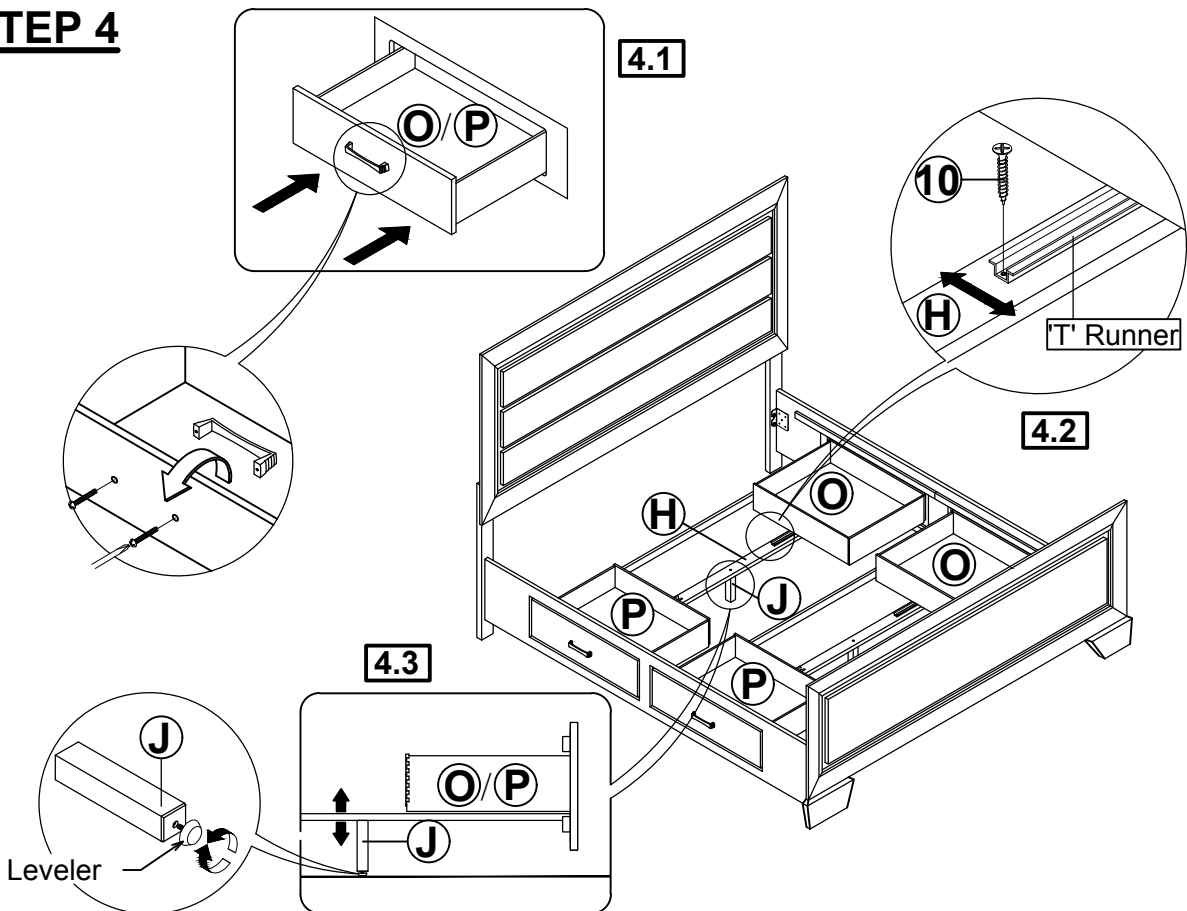


ASSEMBLY INSTRUCTIONS

STEP 3

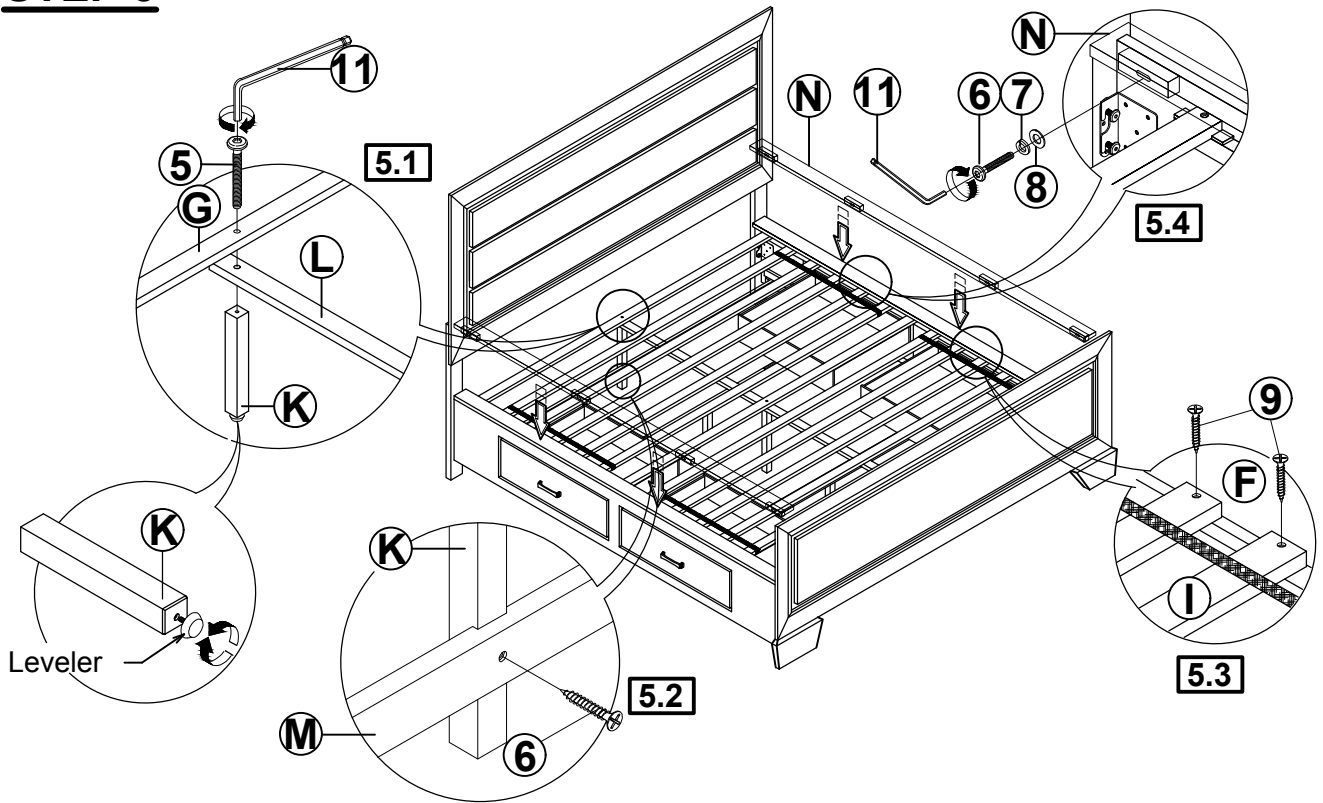


STEP 4

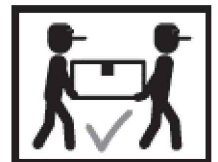
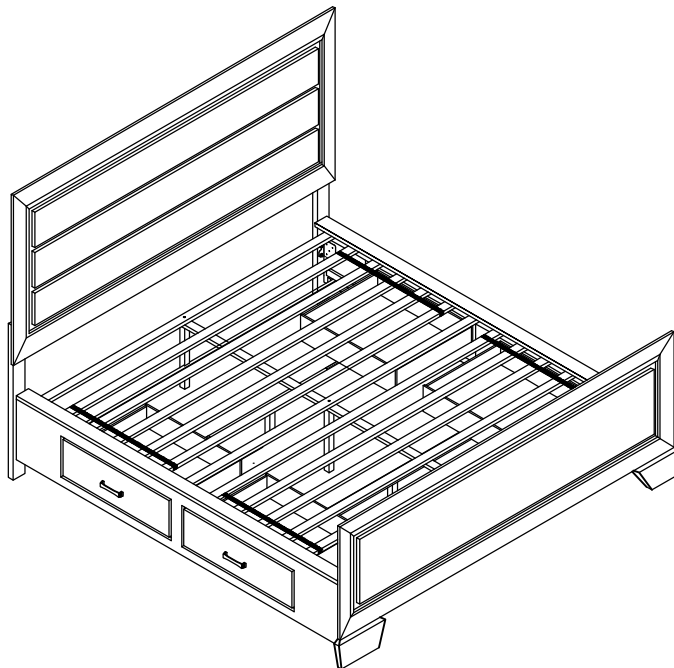


ASSEMBLY INSTRUCTIONS

STEP 5

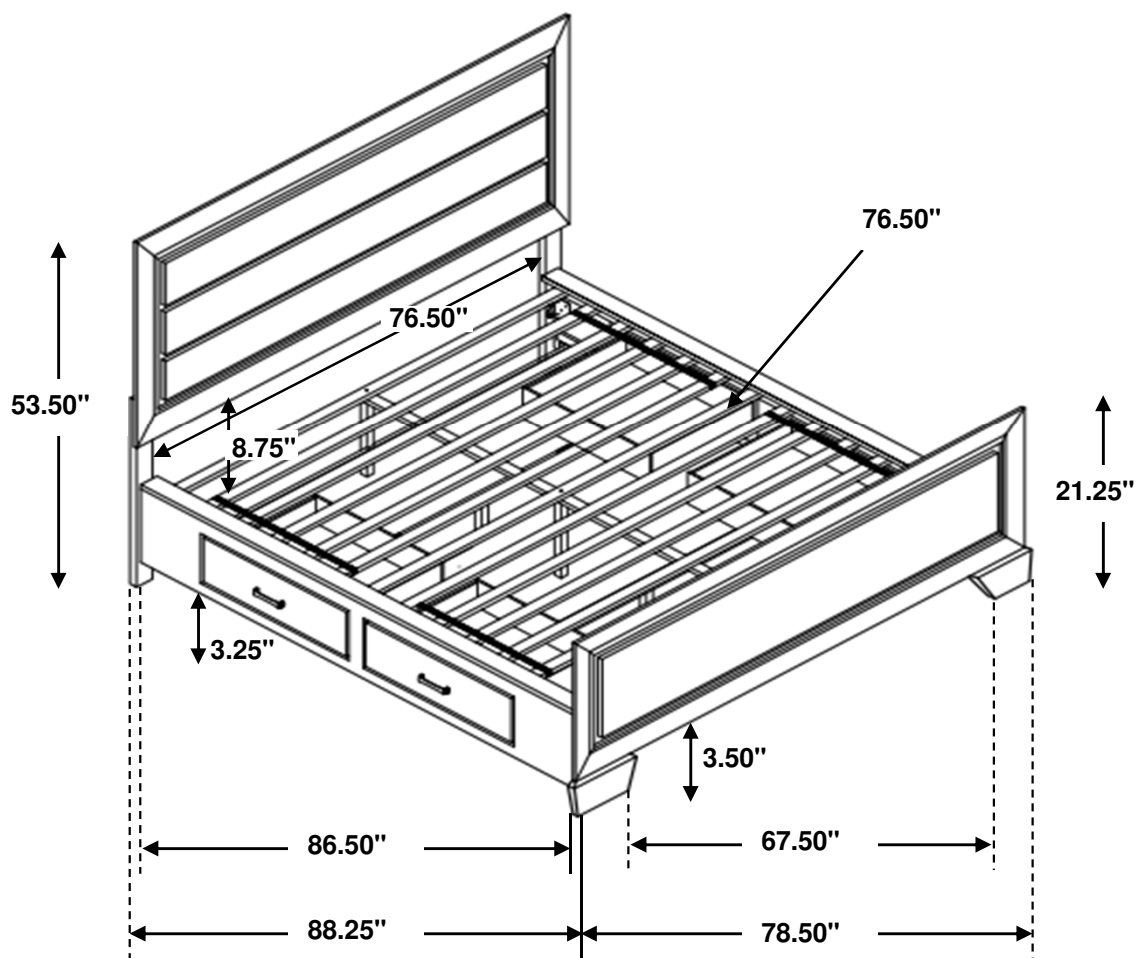


STEP 6 COMPLETE



Inner Size : 76.50"W X 86.50"D

Inner Size of Drawer : 5.75"W X 17.75"D X 24.00"H X 0.50"T



Note : Dimension tolerance $\pm 5\%$