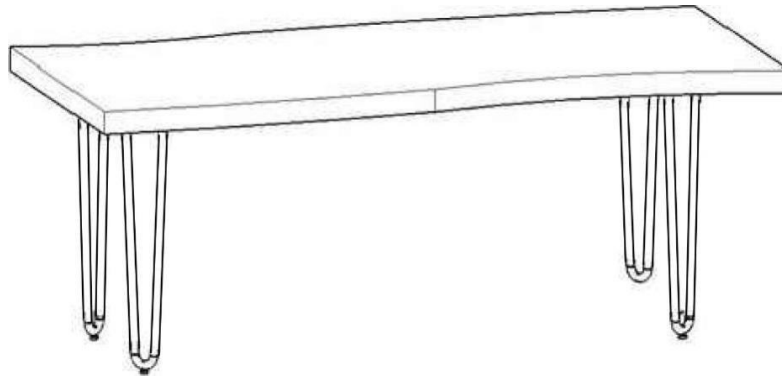


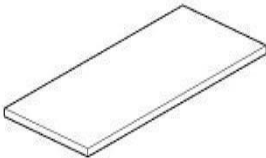

# Assembly Instructions

**Caution:** • You must read this before you proceed.



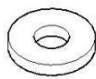
## BENCH



### Parts List

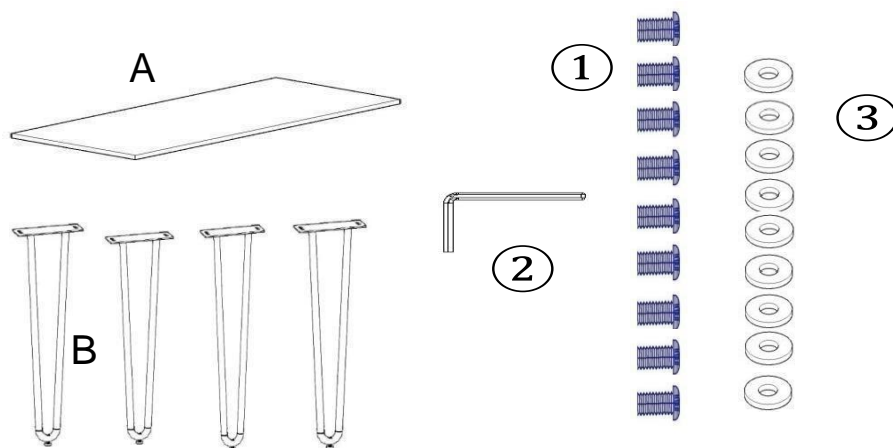
Label	Picture	Description	QTY
A		Table Top	1
B		Legs	4

# Hardware

Label	Picture	Description	QTY
①		Long Bolt (M8x25mm)	9
②		Allen Wrench	1
③		Washer	9

# Assembly Preparation

Before Beginning Assembly :



- Read instructions, cover to cover-



- Have 2 adults on hand for assembly-



- Do not assemble on flooring or carpet-



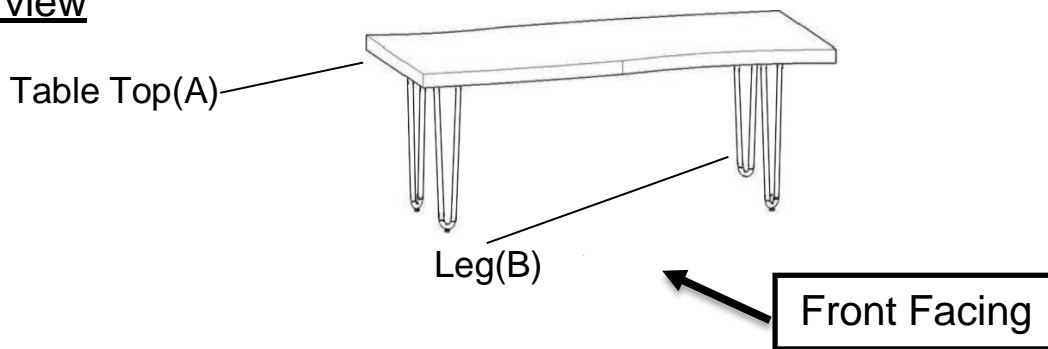
- Assemble on a clean non-marring surface (packing foam)-



- Save all packaging until finished-

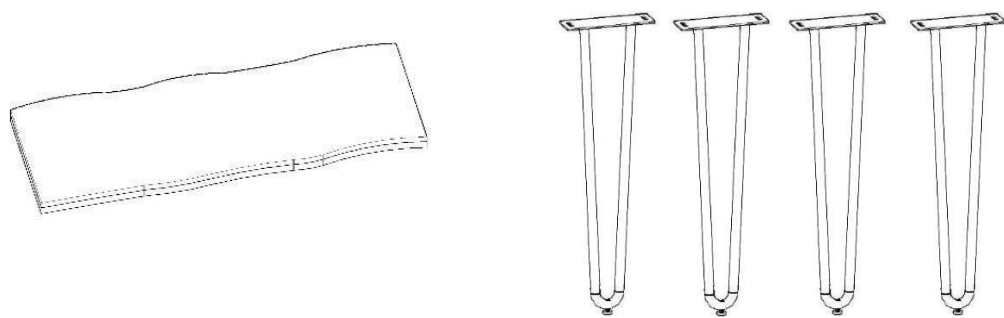
# Assembly Steps

## Overview



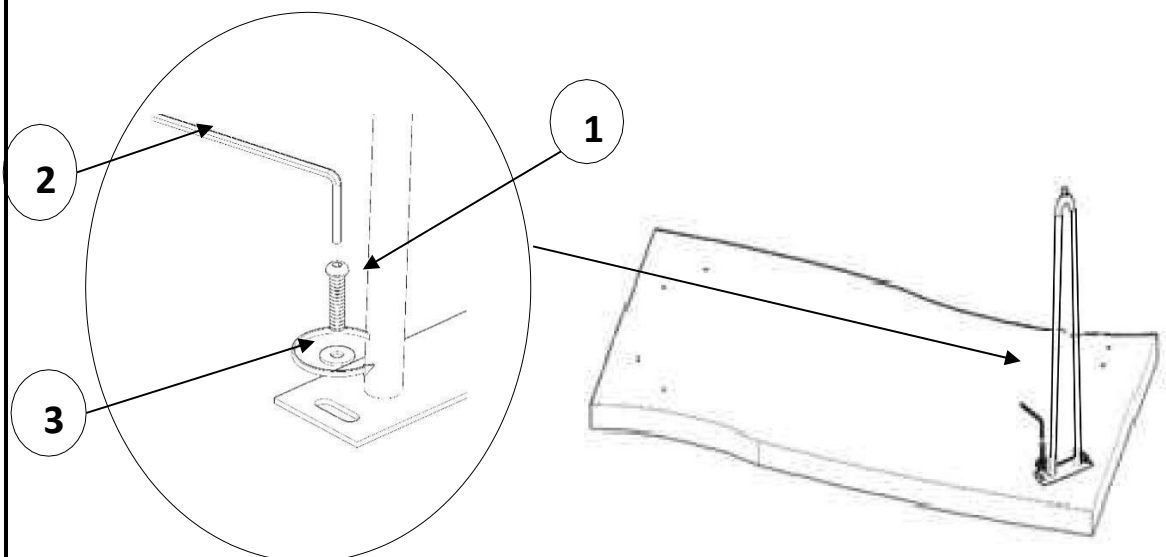
This Bench has multiple parts and may require up to 30 minutes to assemble. To give you an overview of the Bench parts, the above picture is to help you put the various parts into perspective. Please read through the instructions below to familiarise yourself with the parts and steps before assembly.

## Step 1



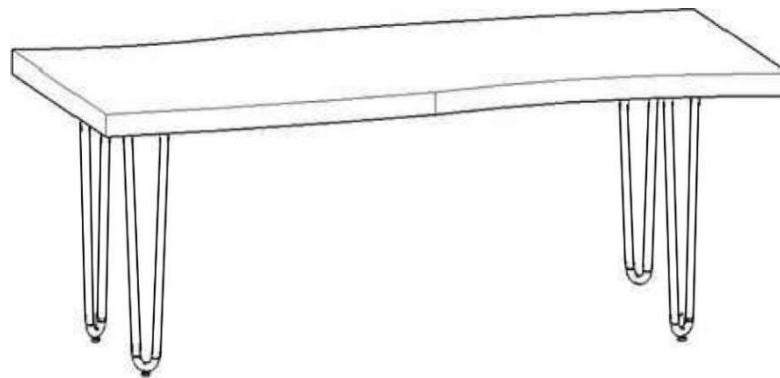
Unpack and place all parts on a clean, non-marring surface.

## Step 2



Place Leg(B) on the Table Top (A) as shown in the picture. Fix the Leg (B) using Long Bolt (①) and Washer (③) with the help of Allen Wrench (②). Repeat the step and the attach the other Legs (B) on the Table Top (A).  
**DO NOT FULLY TIGHTEN BOLTS.**

Step 3



Flip the Bench and place it like in the diagram.

**CAUTION 1: When tightening these Bolts, tighten sequentially.**

If there is still wobbles, loosen the screws and execute this same process.












**WARNING!! IF BENCH IS NOT STABLE , IT COULD LEAD TO DAMAGING THE PRODUCT.**

Ensure all screws are fully locked into position.

The Bench is ready to be used.

**Caution 2: This Bench can only be used on a flat, level surface.**

## **Care & Maintenance**

	<ul style="list-style-type: none"><li>Furniture may scratch floors. We recommend using furniture pads to protect your floors.</li></ul>
	<ul style="list-style-type: none"><li>Do not put hot items directly on furniture surface.</li></ul>
	<ul style="list-style-type: none"><li>Do not clean furniture with harsh cleansers or polish.</li></ul>
	<ul style="list-style-type: none"><li>Do not place furniture under direct sunlight.</li></ul>
	<ul style="list-style-type: none"><li>Do not place furniture near heating or cooling vents.</li></ul>
	<ul style="list-style-type: none"><li>Do not write on furniture without a padded barrier to protect the surface.</li></ul>
	<ul style="list-style-type: none"><li>Do not place furniture outside. For indoor use only.</li></ul>
	<ul style="list-style-type: none"><li>Not for commercial use. For residential use only.</li></ul>
	<ul style="list-style-type: none"><li>Stains may be removed with mild soap solution and damp cloth.</li></ul>
	<ul style="list-style-type: none"><li>Children should not climb or jump on the furniture.</li></ul>
	<ul style="list-style-type: none"><li>Dust and pick-up spills using a clean, non-colored, lint-free cloth.</li></ul>