

## NOTICE

- \* Please make sure that you have all parts indicated before you begin assembly of this item
- \* This item should be assembled on a soft surface to prevent scratching the finish during assembly
- \* This item may require periodic tightening
- \* If you are having difficulty, our friendly Customer Care team is always here to help.

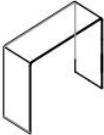


## PREPARATION

- \*Before beginning assembly of product, make sure all parts are present. Compare parts with package contents list and hardware contents list.
- \*If any part is missing or damaged, do not attempt to assemble the product.
- \*Estimated Assembly Time: 5 minutes.
- \*Tools Required for Assembly (included): no

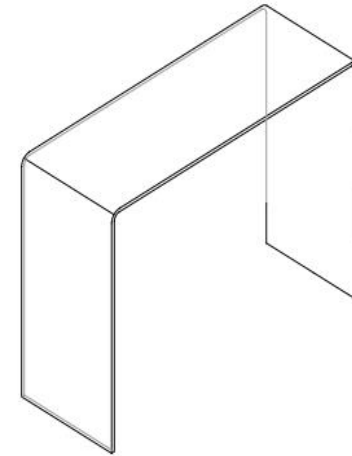
## CARE AND MAINTENANCE

Dust with a soft, dry cloth. Do not use abrasive cleaner. To clean mirror, spray a small amount of glass cleaner onto a lint-free cloth and wipe mirror clean.

### Part List and Hardware List

PIECE	DESCRIPTION	PICTURE	QUANTITY
A	Console Table		1X
HW1	Foot (40*40*18mm)		4X
HW2	FOOT MAT(30*10*2mm)		4X

Product Dimensions: 43.3"Wx13.8"Dx29.5" H



Weight Capacity:100lbs  
Warning:Do not stand on table

## PREPARATION

\*Before beginning assembly of product, make sure all parts are present. Compare parts with package contents list and hardware contents list.

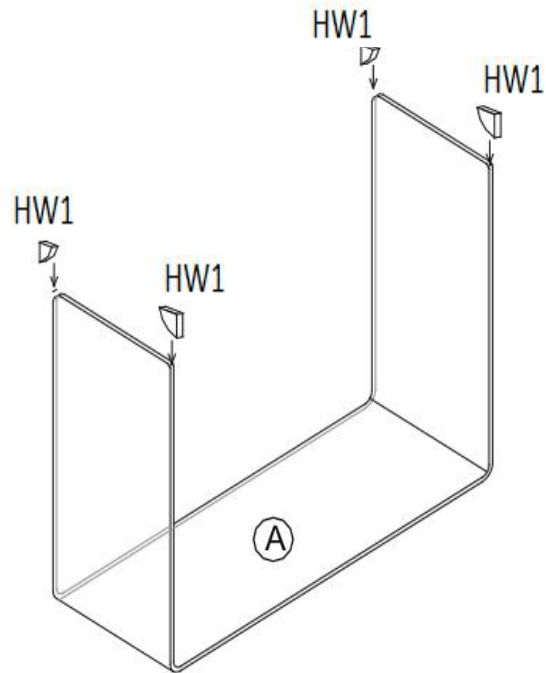
\*If any part is missing or damaged, do not attempt to assemble the product.

\*Estimated Assembly Time: 5 minutes.

\*Tools Required for Assembly (included): no

\* If you are having difficulty, our friendly Customer Care team is always here to help.

### A option 1



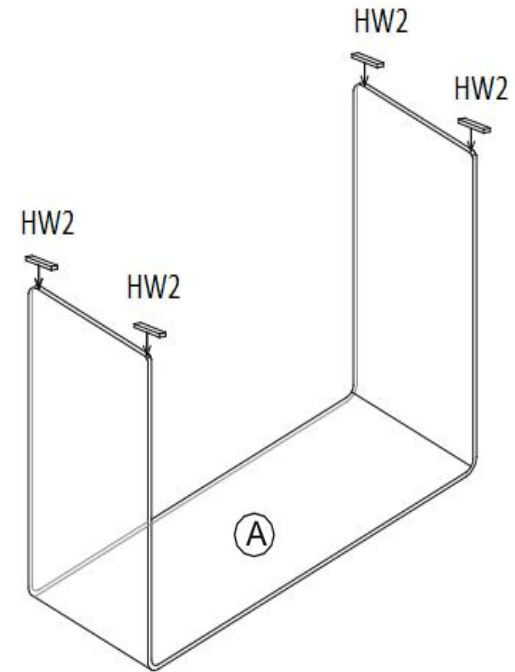
HW1 x4



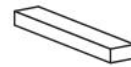
Foot(40\*40\*18mm)

STEP 1 option 1: Put the foot on the glass

### B option 2



HW2 x4



FOOT MAT(30\*10\*2mm)

STEP1 option 2 : Put the foot mat on the glass