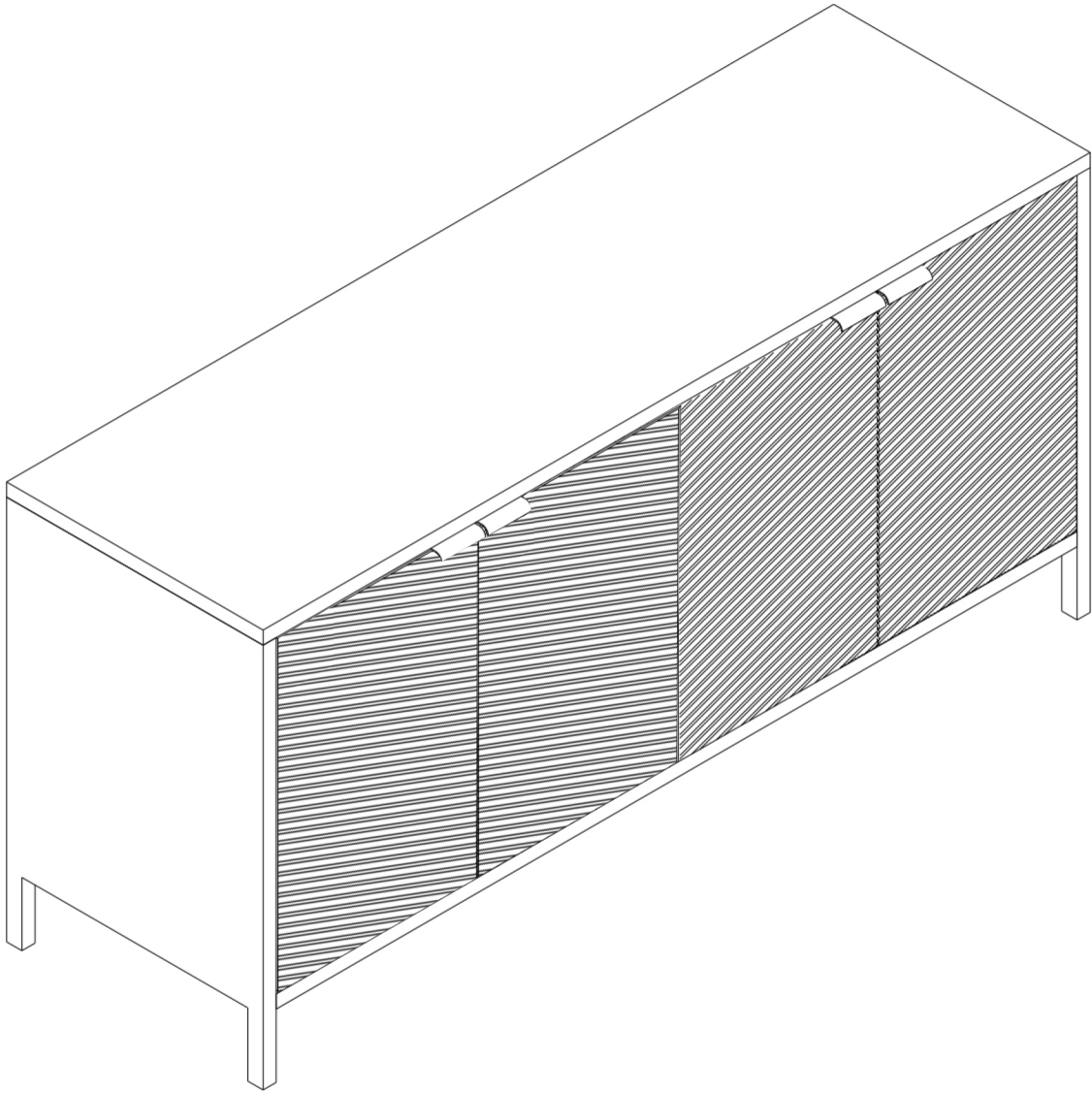
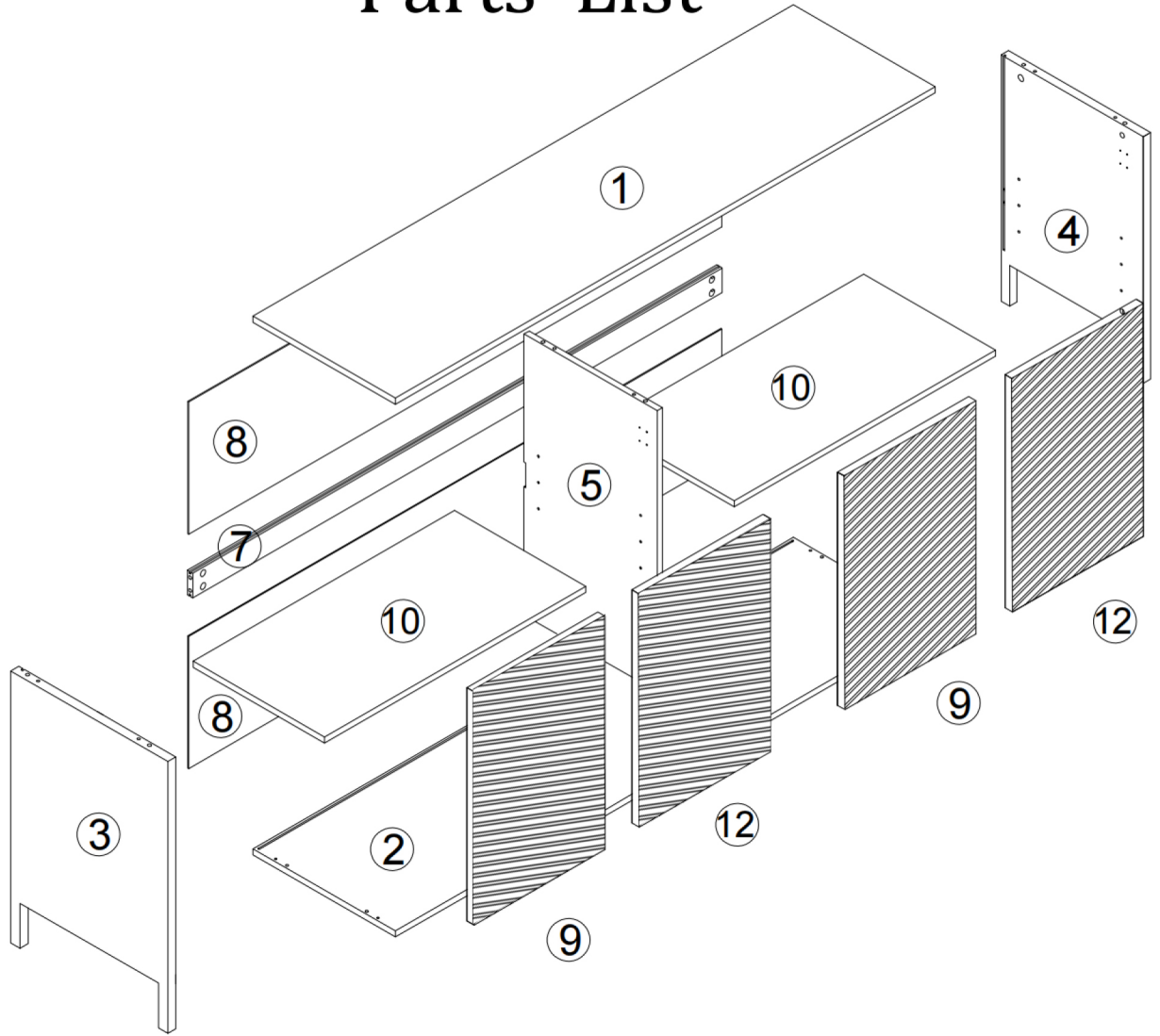


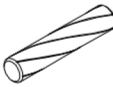

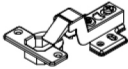
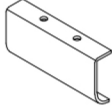
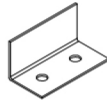
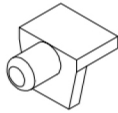
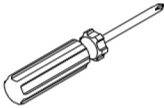

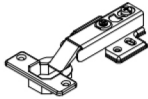
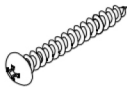


Installation Instruction

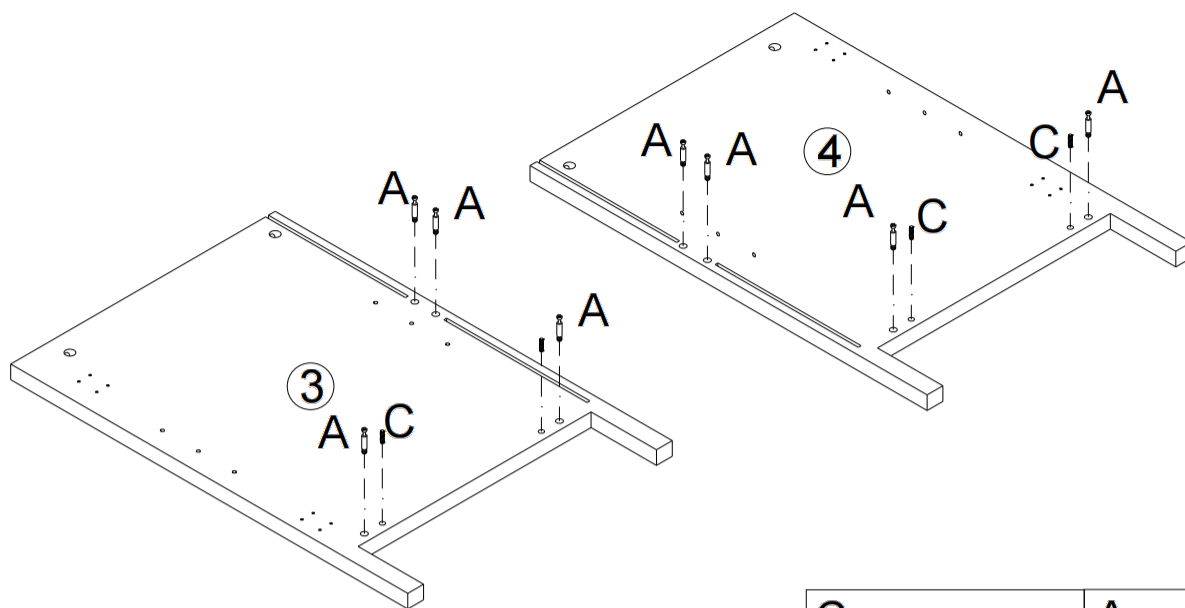




Parts List



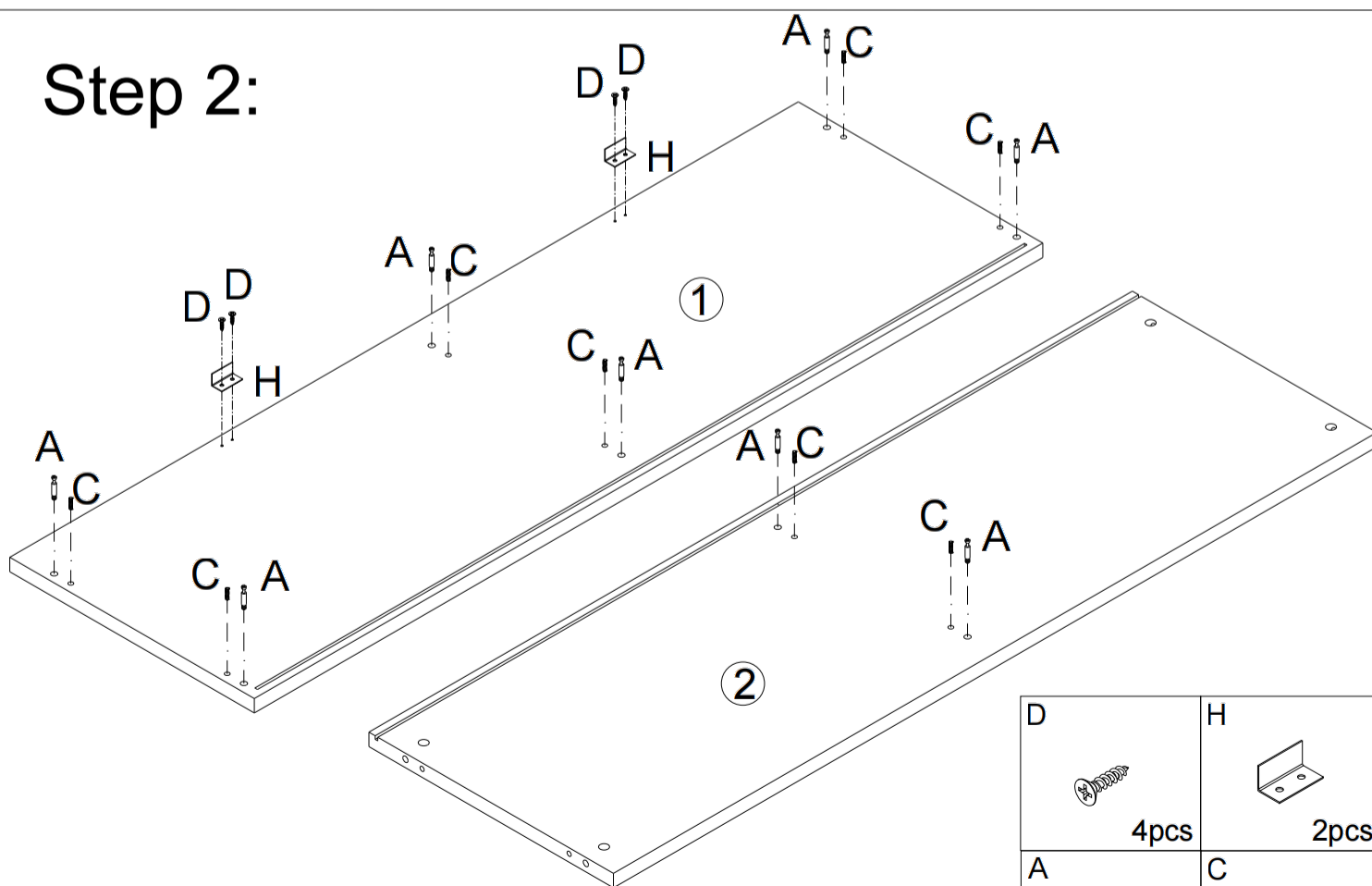
<p>A</p>  <p>16pcs</p>	<p>B</p>  <p>16pcs</p>	<p>C</p>  <p>12pcs</p>	<p>D 3.5X14</p>  <p>72pcs</p>	<p>E</p>  <p>4pcs</p>
<p>M</p>  <p>4pcs</p>	<p>H</p>  <p>2pcs</p>	<p>I</p>  <p>8pcs</p>	<p>J</p>  <p>4pcs</p>	<p>K</p>  <p>12pcs</p>
<p>L</p>  <p>4pcs</p>	<p>W</p>  <p>2pcs</p>			


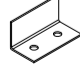


Step 1:



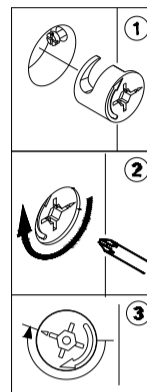
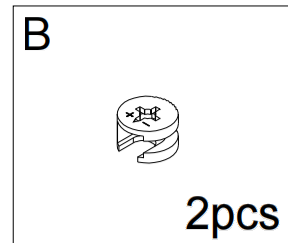
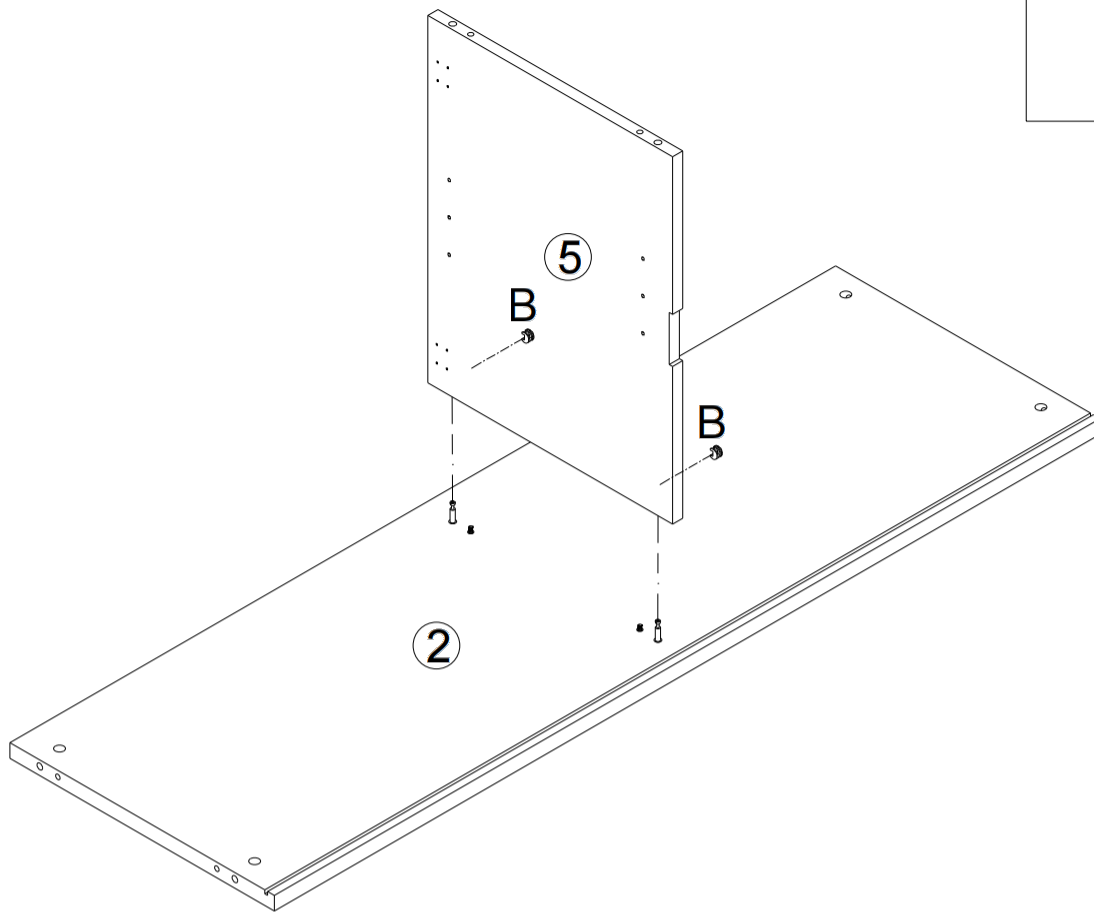
<p>C</p>  <p>4pcs</p>	<p>A</p>  <p>8pcs</p>
---	--

Step 2:

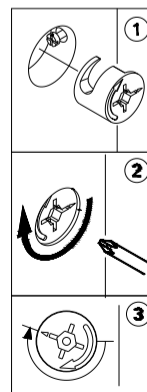
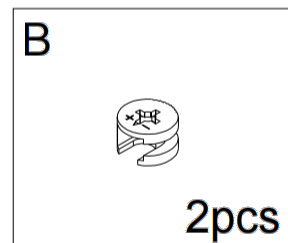
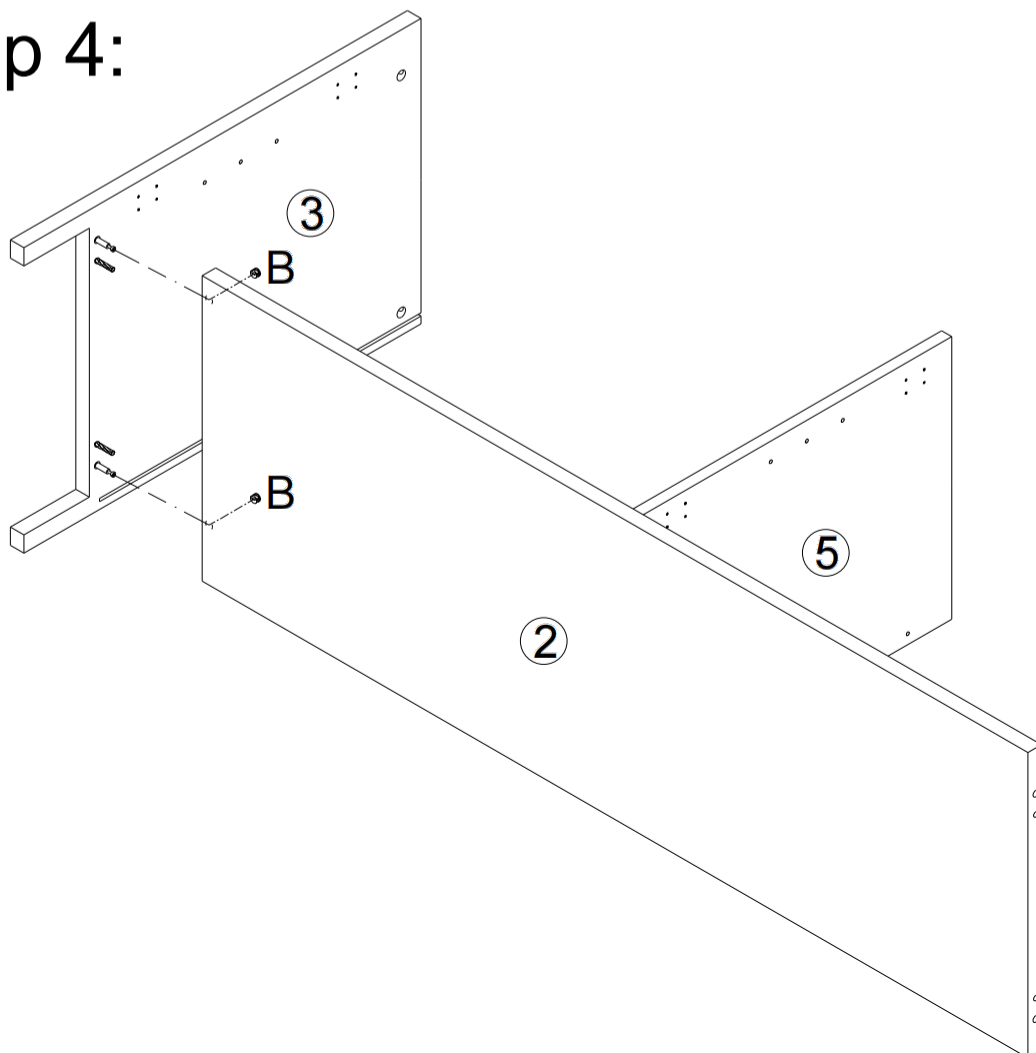


<p>D</p>  <p>4pcs</p>	<p>H</p>  <p>2pcs</p>
<p>A</p>  <p>8pcs</p>	<p>C</p>  <p>8pcs</p>

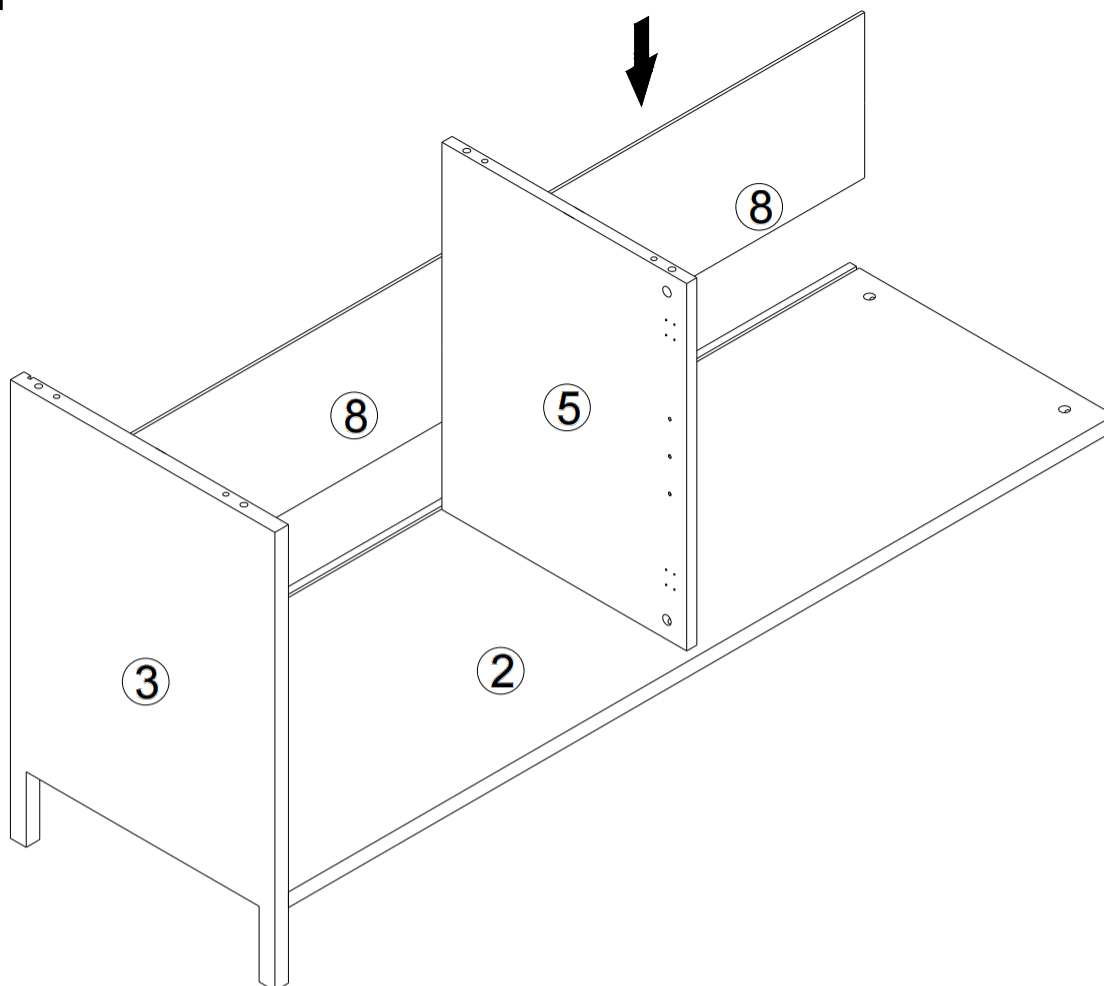
Step 3:



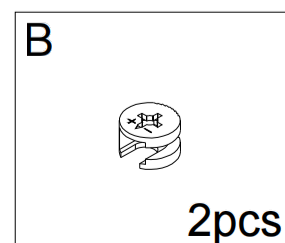
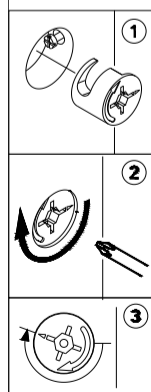
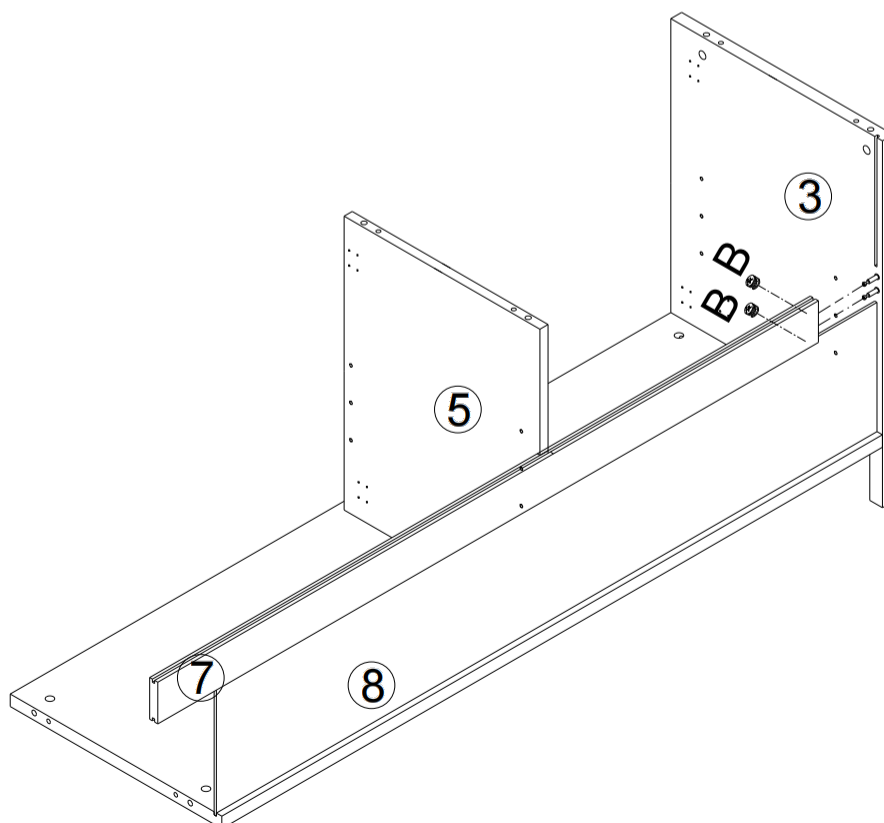
Step 4:



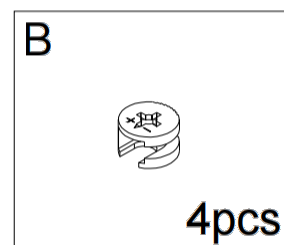
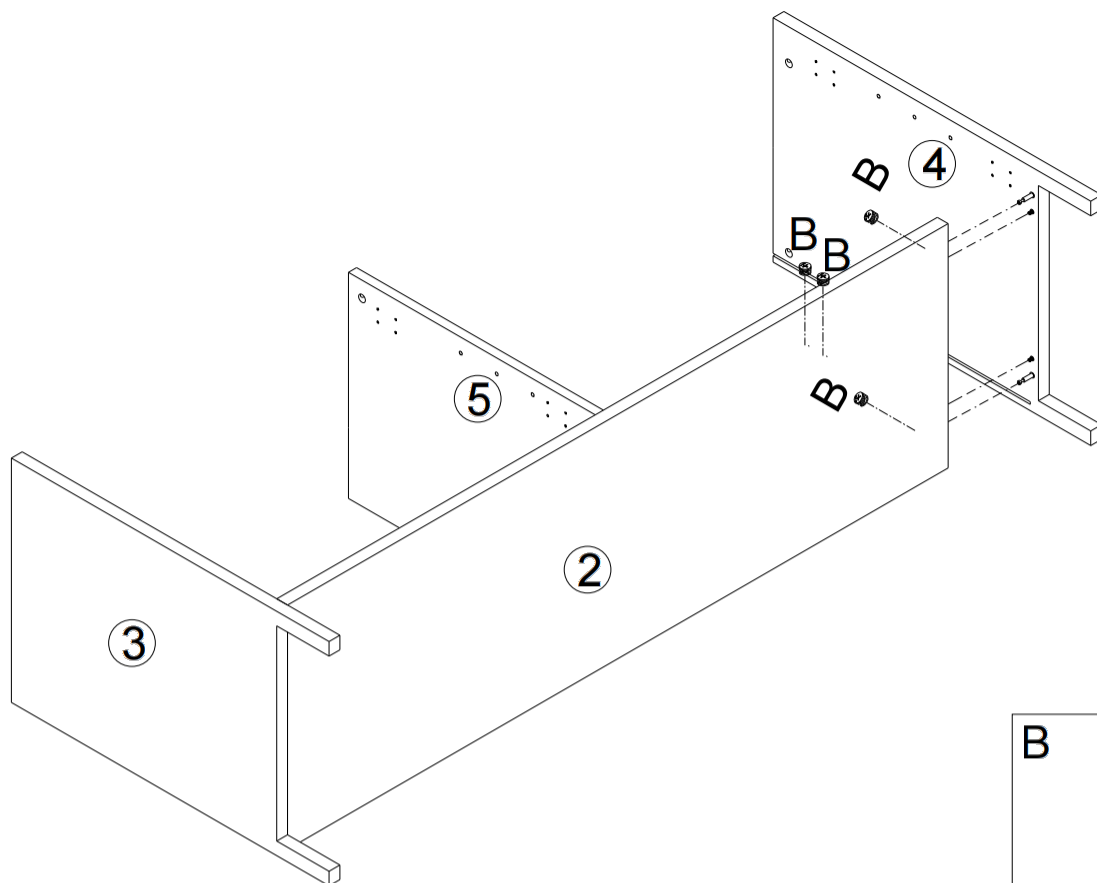
Step 5:



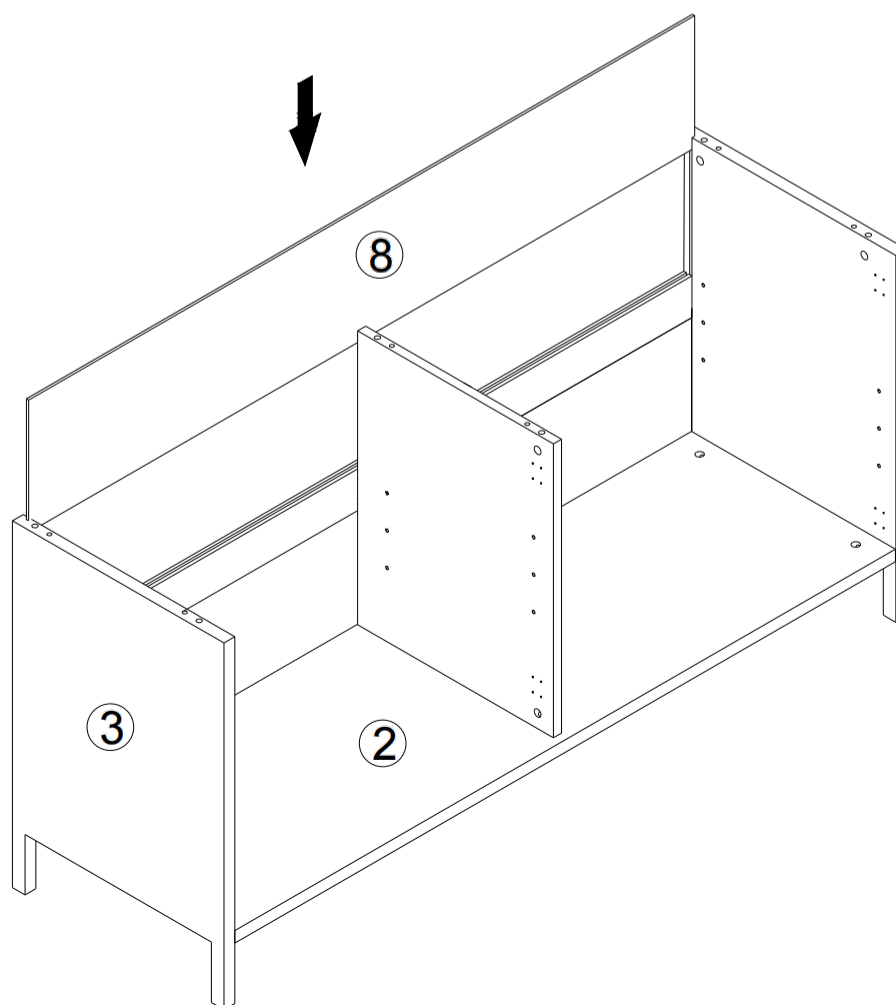
Step 6:



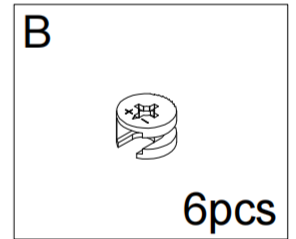
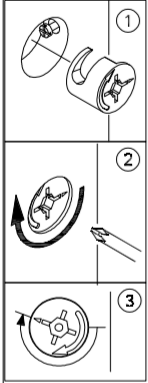
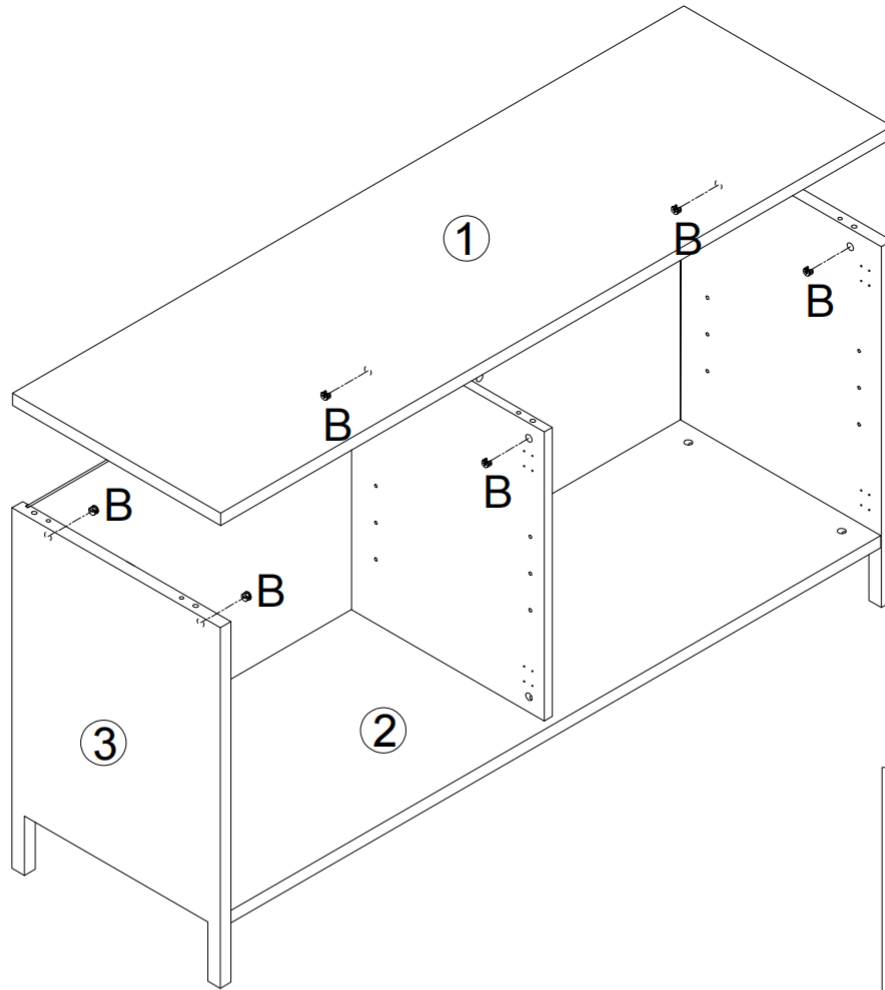
Step 7:



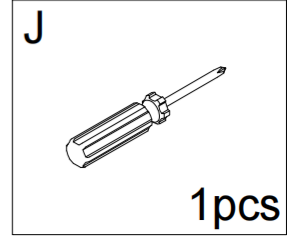
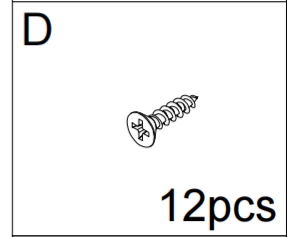
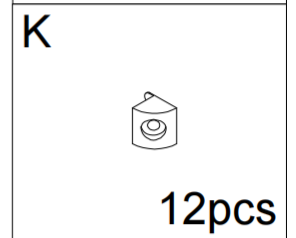
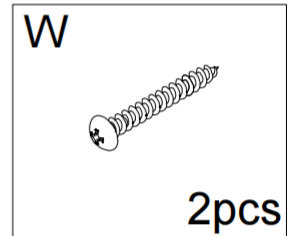
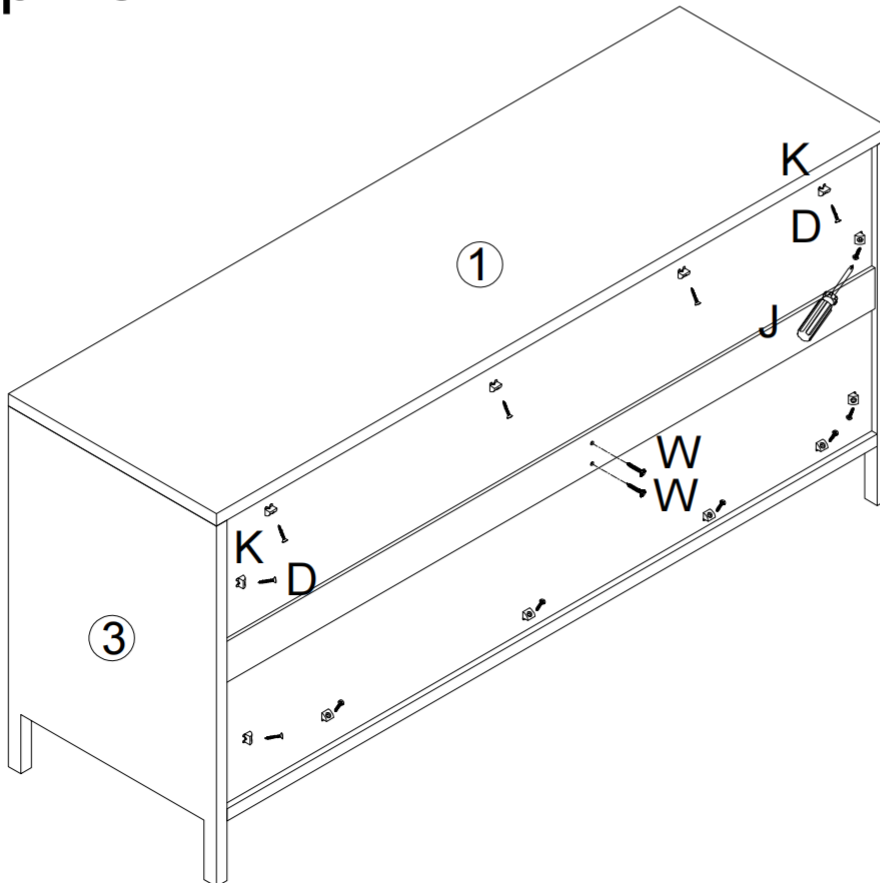
Step 8:



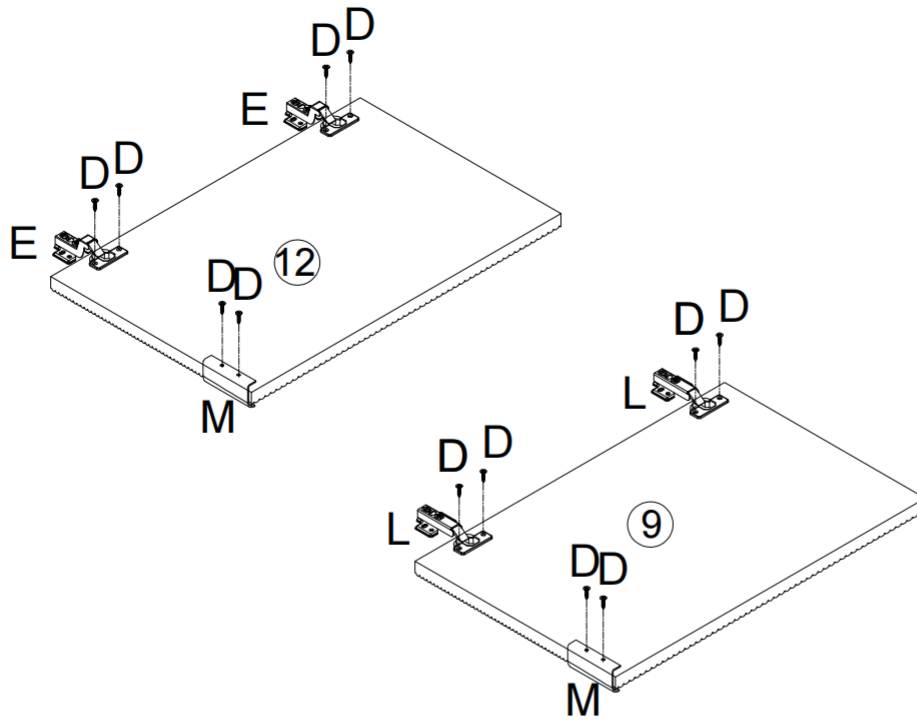
Step 9:

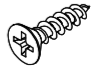
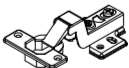
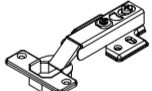
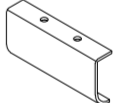


Step 10:

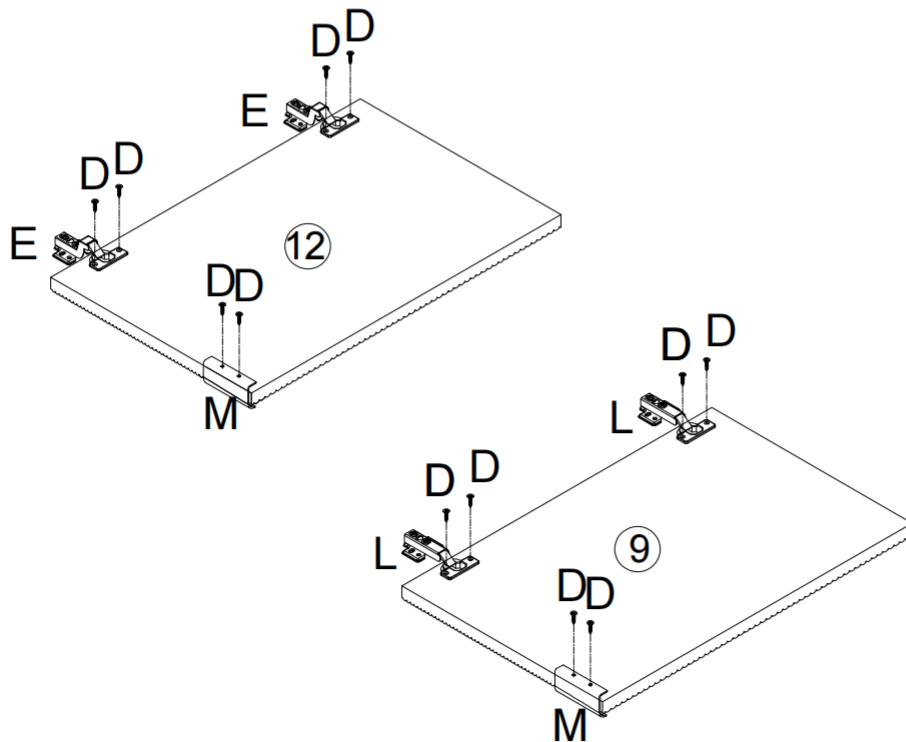


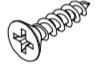

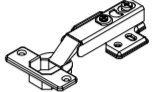
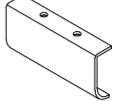
Step 11:



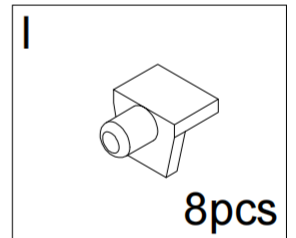
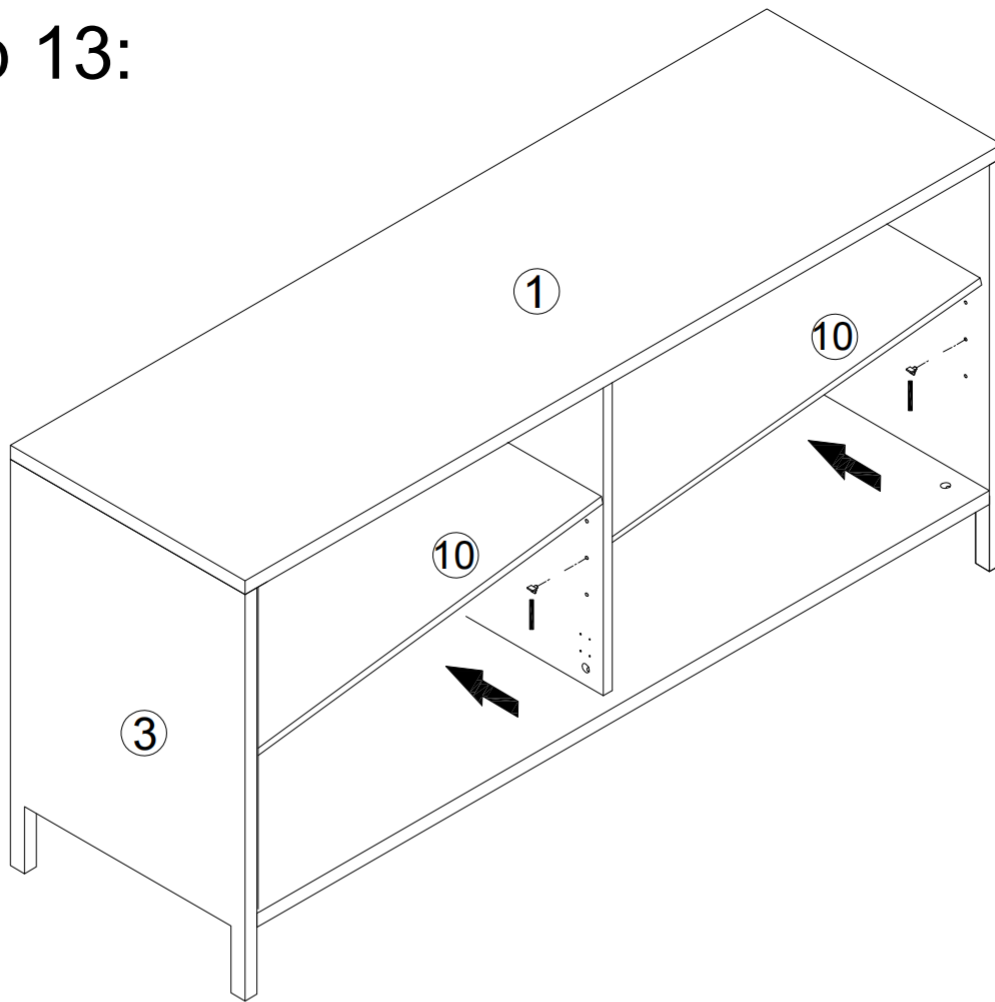
D		12pcs
E		2pcs
L		2pcs
M		2pcs

Step 12:



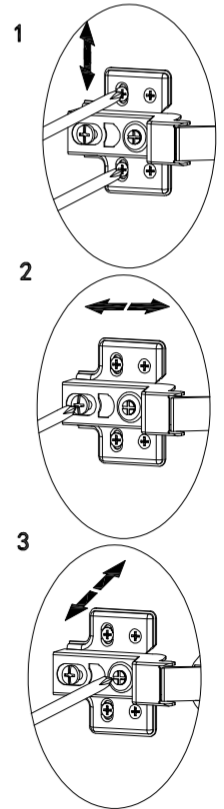
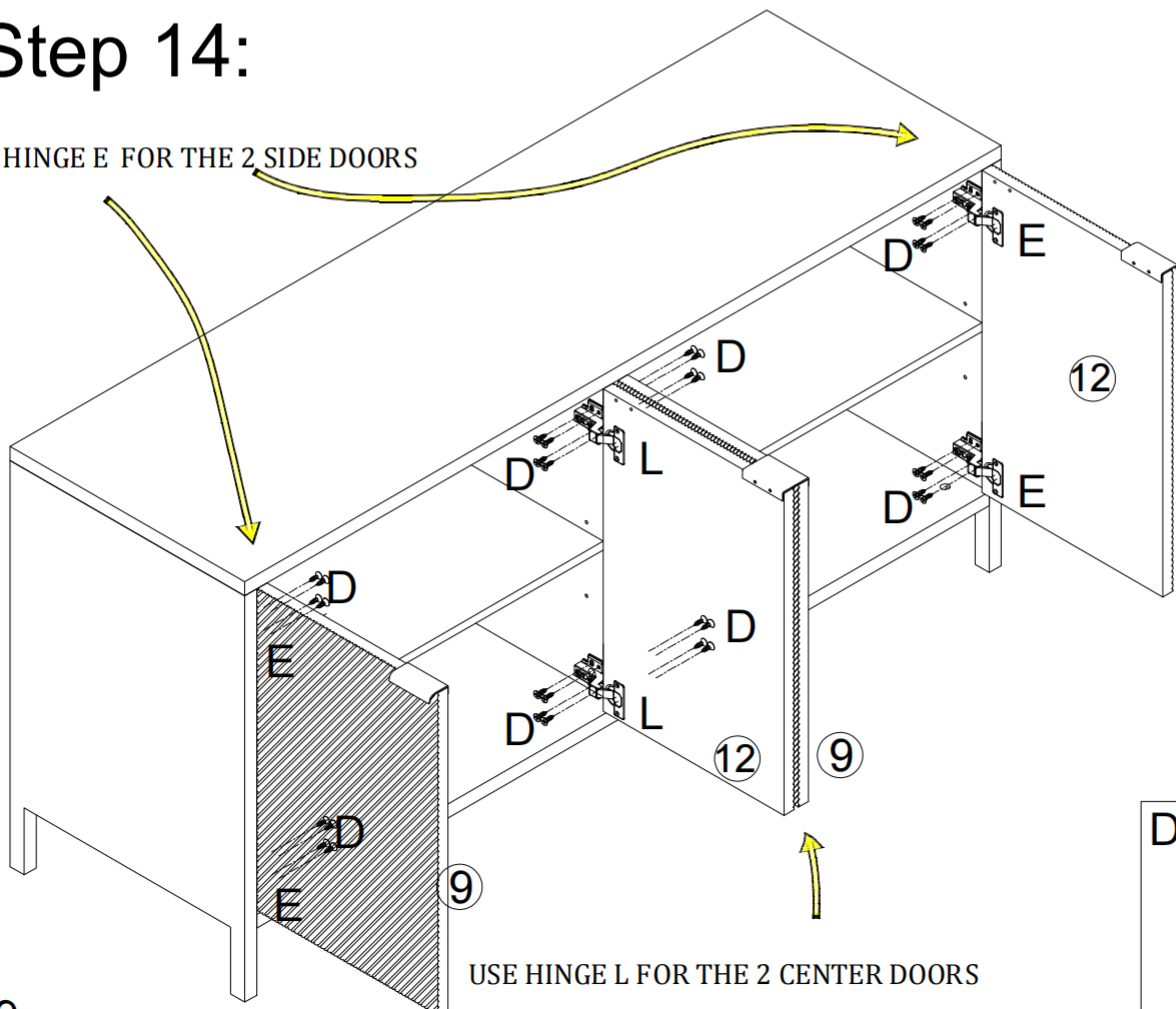
D		12pcs
E		2pcs
L		2pcs
M		2pcs

Step 13:

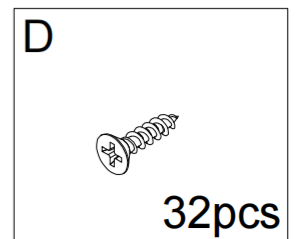


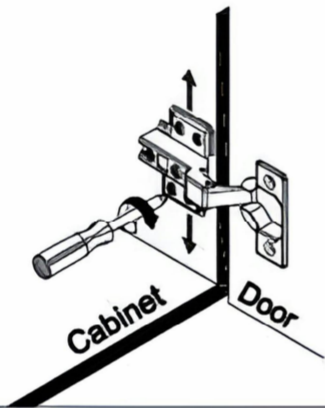
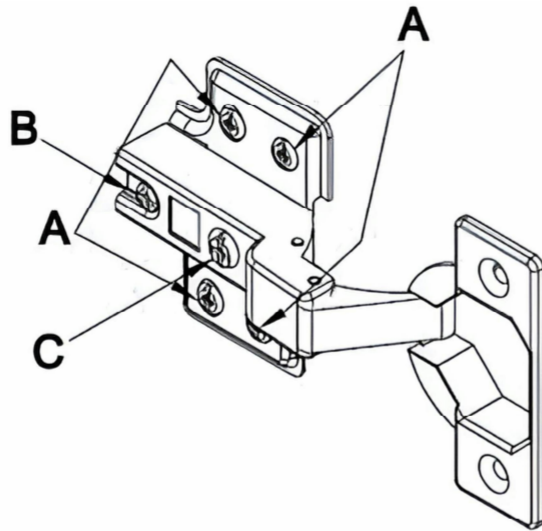
Step 14:

USE HINGE E FOR THE 2 SIDE DOORS

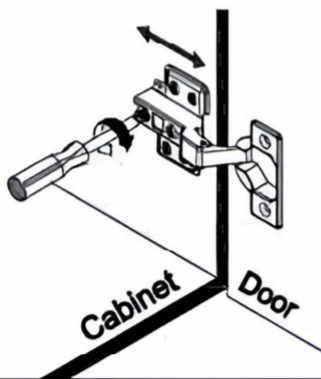


USE HINGE L FOR THE 2 CENTER DOORS

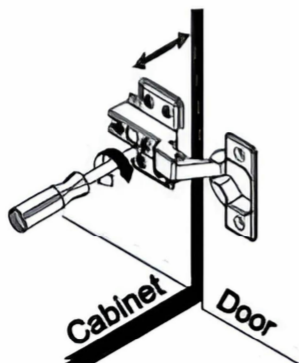




To adjust the vertical height.
Loosen the four screws "A" on both hinges.
Two of them are usually in slotted holes which allows you to adjust up or down by a few mm.
Then tighten back up.



To adjust depth.
Loosen screw "B" and adjust door, if the door can not be adjusted, please loosen screw "C", then try again. Tighten screw "B" and "C".



To adjust slide ways.
Turning the screw "C" on BOTH hinges on each door.