

① x1



② x2



③ x2



④ x2

A\*18



M6\*15

B\*2



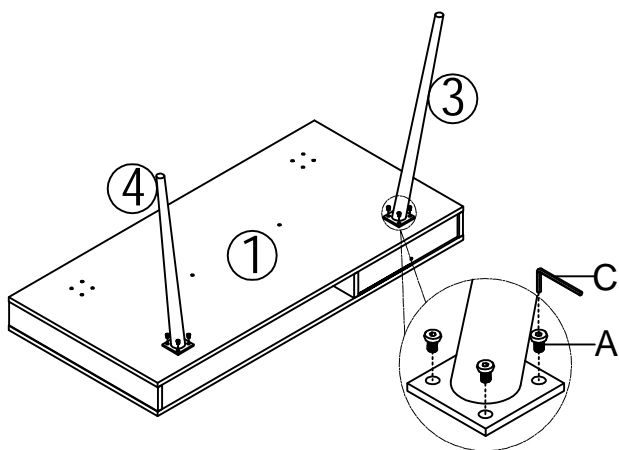
Ø6\*16\*2

C\*1

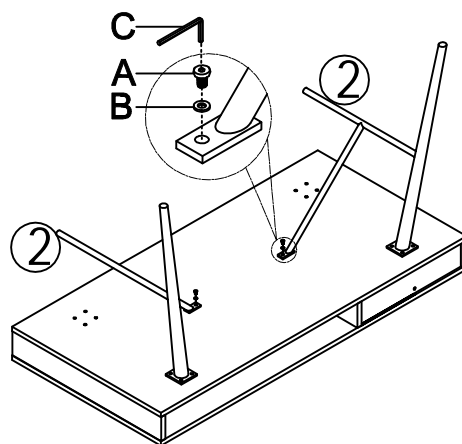


M4

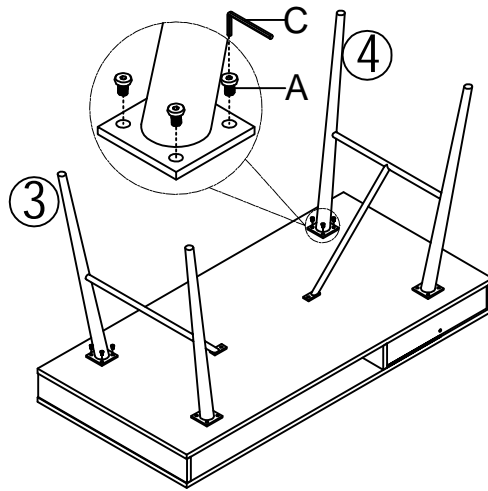
01



02



03



04

The handle of drawer need to be installed outside.

