

PLEASE KEEP ME WITH YOUR PROOF OF PURCHASE FOR FUTURE REFERENCE



ASSEMBLY INSTRUCTIONS

Dubai Rope Square Casual Dining Set Corner Sofa Unit

(69019012)

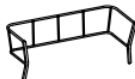










ATTENTION:

1. Please read these instructions carefully before assembly
2. Aluminium is soft metal and over tightening may strip thread or break the part
3. **DO NOT** use power tools
4. Please allow 30 minutes for assembly.
5. Although assembly only requires 1 person it is advised that a second person be present to help turn the **seating** over and into position when fully assembled

RIGHT HAND SOFA ASSEMBLY STEPS:

1. Turn the sofa (A) upside down on a soft clean surface
2. **LOOSELY** attach Seating panel (B) to the Sofa (A) with bolts (H), bolts (I) and big flat washers (J) using Allen key (K)
3. **LOOSELY** attach **rear** legs (C) to Sofa (A) with bolts (I) and big flat washers (J) using Allen key (K) **DO NOT TIGHTEN THE BOLTS AT THIS STAGE**
4. **LOOSELY** attach **middle leg (D)** to seating panel (B) with bolts (I) and big flat washers (J) using Allen key (K)
5. Tighten all bolts using Allen key (K) one by one being careful not to over tighten any as this will cause the thread to become damaged
6. Turn Sofa over and place in desired position.
7. Place all cushions (E, F & G) on the sofa seat

For more information regarding maintenance of your furniture please visit www.hartmanuk.com

Component's					Fixings				
Parts List	Parts Picture	Description	Q'ty	Part no	Parts list	Parts Picture	Description	Q'ty	Part no.
A		Sofa	1	69019012A	E		Seat cushion	1	69019012E
					F		Back cushion	3	69019012F
B		Seating panel	1	69019012B	G		Side cushion	1	69019012G
C		Rear legs	2	69019012C	H		M6*35 bolts	8	1111162
D		Middle leg	1	69019012D	I		M6*25 bolts	13	1231162
					J		Big Flat washers	21	1061162
					K		Allen Key	1	2002191

For replacement or lost spare parts please go to <http://faq.hartmanuk.co.uk/spares/>

Should you have any queries about your furniture your first point of contact should be the retailer from whom you purchased your product

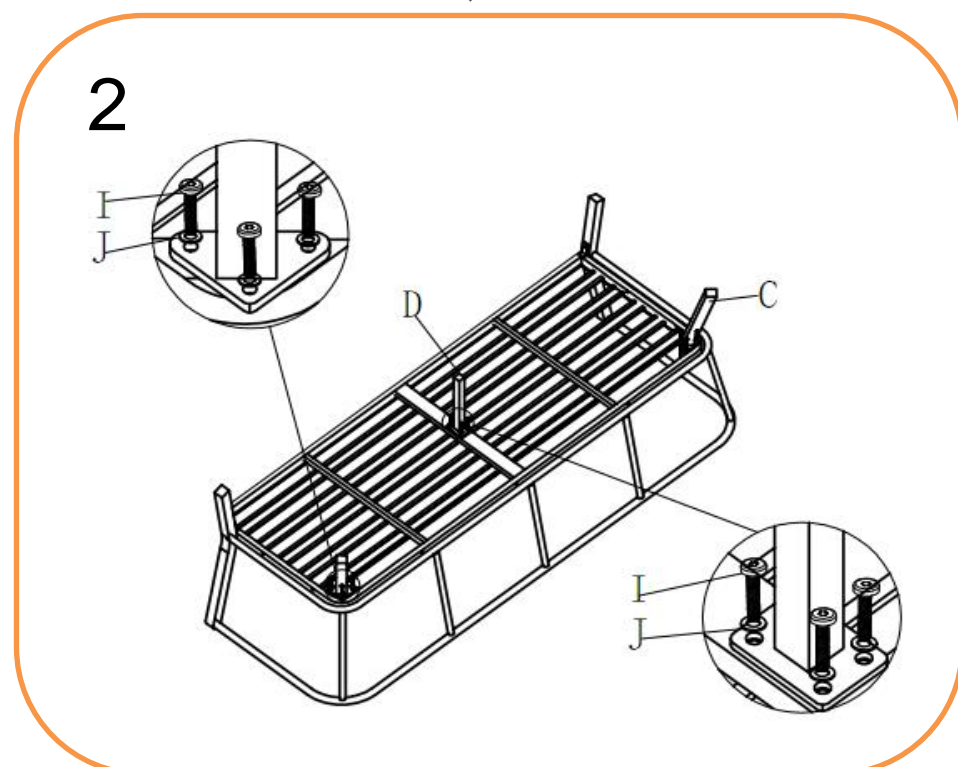
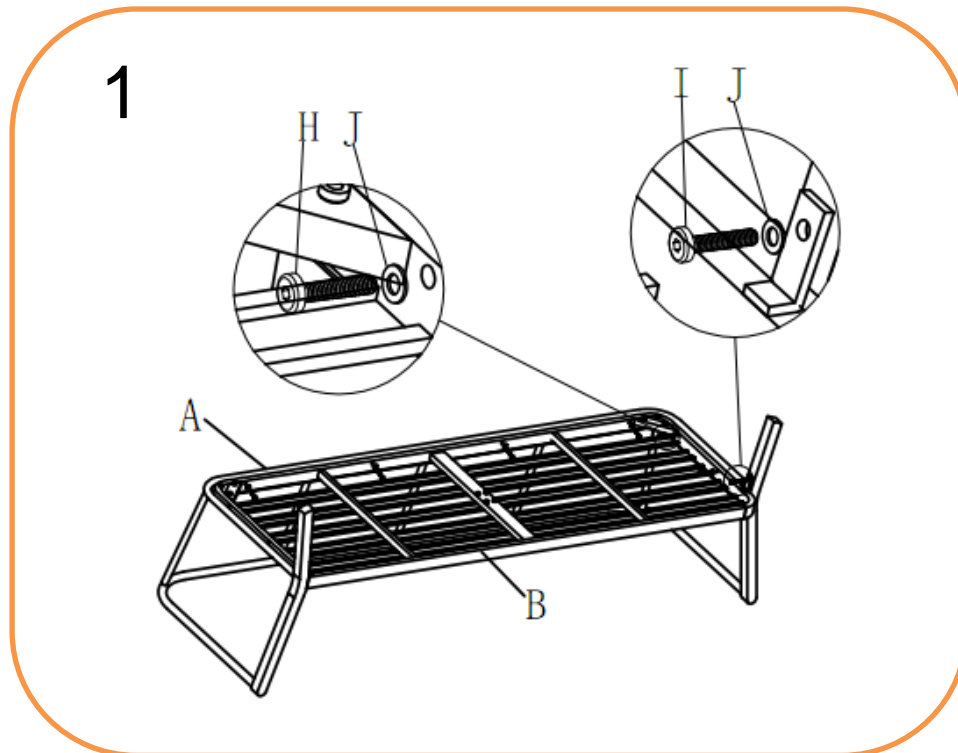
PLEASE KEEP ME WITH YOUR PROOF OF PURCHASE FOR FUTURE REFERENCE



ASSEMBLY INSTRUCTIONS

Dubai Rope Square Casual Dining Set – Right Hand Sofa

(69019012)

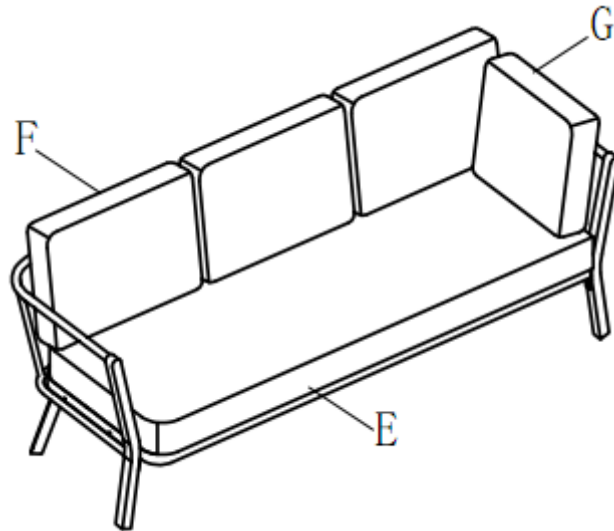


For replacement or lost spare parts please go to <http://faq.hartmanuk.co.uk/spares/>
Should you have any queries about your furniture your first point of contact should be the retailer from whom you purchased your product

PLEASE KEEP ME WITH YOUR PROOF OF PURCHASE FOR FUTURE REFERENCE



3



For replacement or lost spare parts please go to <http://faq.hartmanuk.co.uk/spares/>
Should you have any queries about your furniture your first point of contact should be the retailer from whom you purchased your product

PLEASE KEEP ME WITH YOUR PROOF OF PURCHASE FOR FUTURE REFERENCE

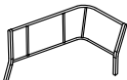

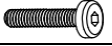




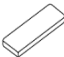

ATTENTION:

1. Please read these instructions carefully before assembly
2. Aluminium is soft metal and over tightening may strip thread or break the part
3. **DO NOT** use power tools
4. Please allow 30 minutes for assembly.
5. Although assembly only requires 1 person it is advised that a second person be present to help turn the table over and into position when fully assembled

LEFT HAND SOFA ASSEMBLY STEPS:

1. Turn the sofa (A1) upside down on a soft clean surface
2. **LOOSELY** attach Seating panel (B1) to the Sofa (A1) with bolts (F & G) and big flat washers (H) using Allen key (I)
3. **LOOSELY** attach leg (C1) to Seating panel (B) with bolts (G) and big flat washers (H) using Allen key (I) **DO NOT TIGHTEN THE BOLTS AT THIS STAGE**
4. Tighten all bolts using Allen key (I) one by one being careful not to over tighten any as this will cause the thread to become damaged
5. Turn Sofa over and place in desired position.
6. Place all cushions (D1 & E1) on the sofa seat

For more information regarding maintenance of your furniture please visit www.hartmanuk.com

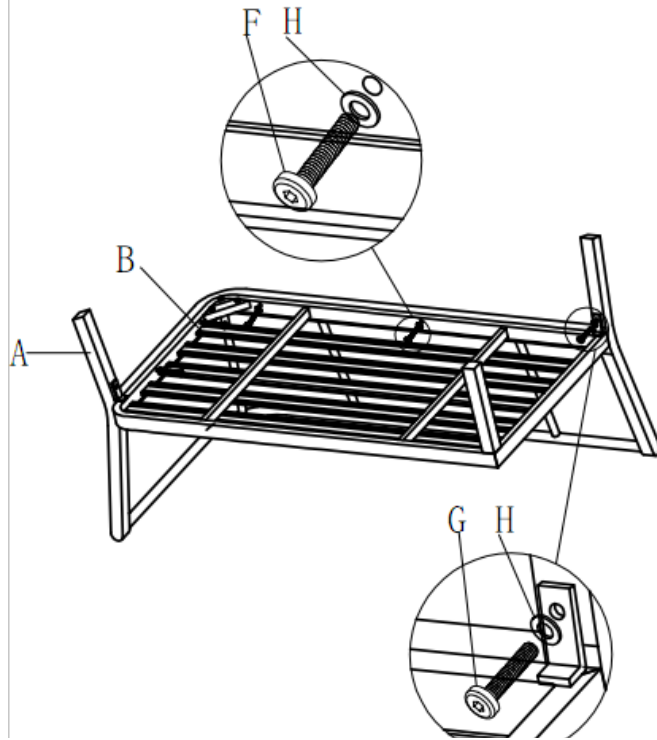
Component's					Fixings				
Parts List	Parts Picture	Description	Q'ty	Part no	Parts list	Parts Picture	Description	Q'ty	Part no.
A1		Sofa	1	69019012A1	F		M6*35 bolts	5	1111162
					G		M6*25 bolts	6	1231162
B1		Seating panel	1	69019012B1	H		Big Flat washers	11	1061162
C1		Leg	1	69019012C1	I		Allen Key	1	2002191
D1		Seat cushion	1	69019012D1					
E1		Back cushion	2	69019012E1					

For replacement or lost spare parts please go to <http://faq.hartmanuk.co.uk/spares/>

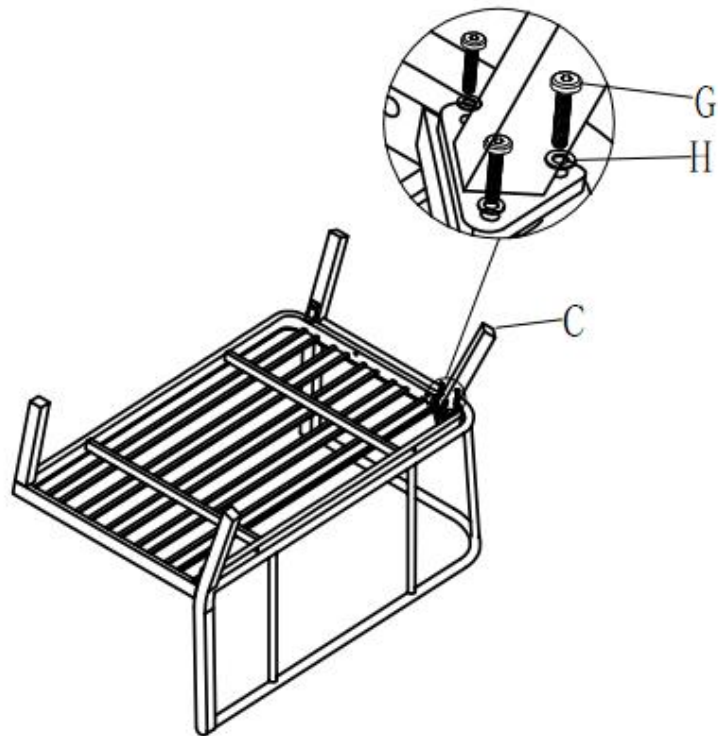
Should you have any queries about your furniture your first point of contact should be the retailer from whom you purchased your product

PLEASE KEEP ME WITH YOUR PROOF OF PURCHASE FOR FUTURE REFERENCE

1



2

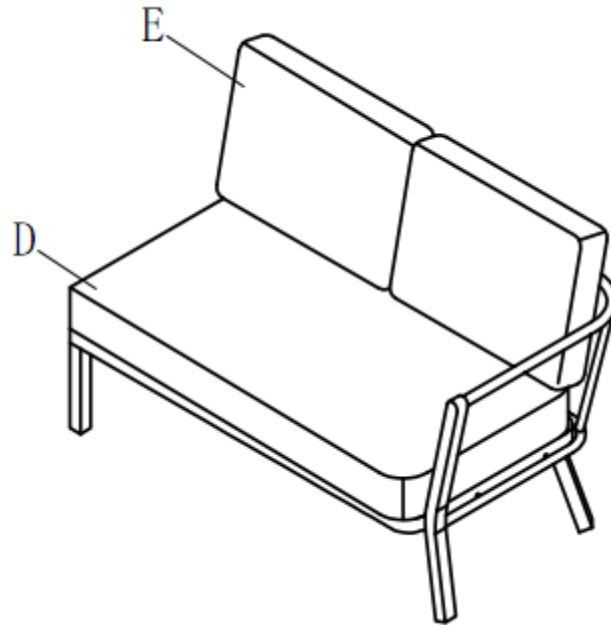


For replacement or lost spare parts please go to <http://faq.hartmanuk.co.uk/spares/>
Should you have any queries about your furniture your first point of contact should be the retailer from whom you purchased your product

PLEASE KEEP ME WITH YOUR PROOF OF PURCHASE FOR FUTURE REFERENCE



3




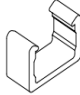

For replacement or lost spare parts please go to <http://faq.hartmanuk.co.uk/spares/>
Should you have any queries about your furniture your first point of contact should be the retailer from whom you purchased your product

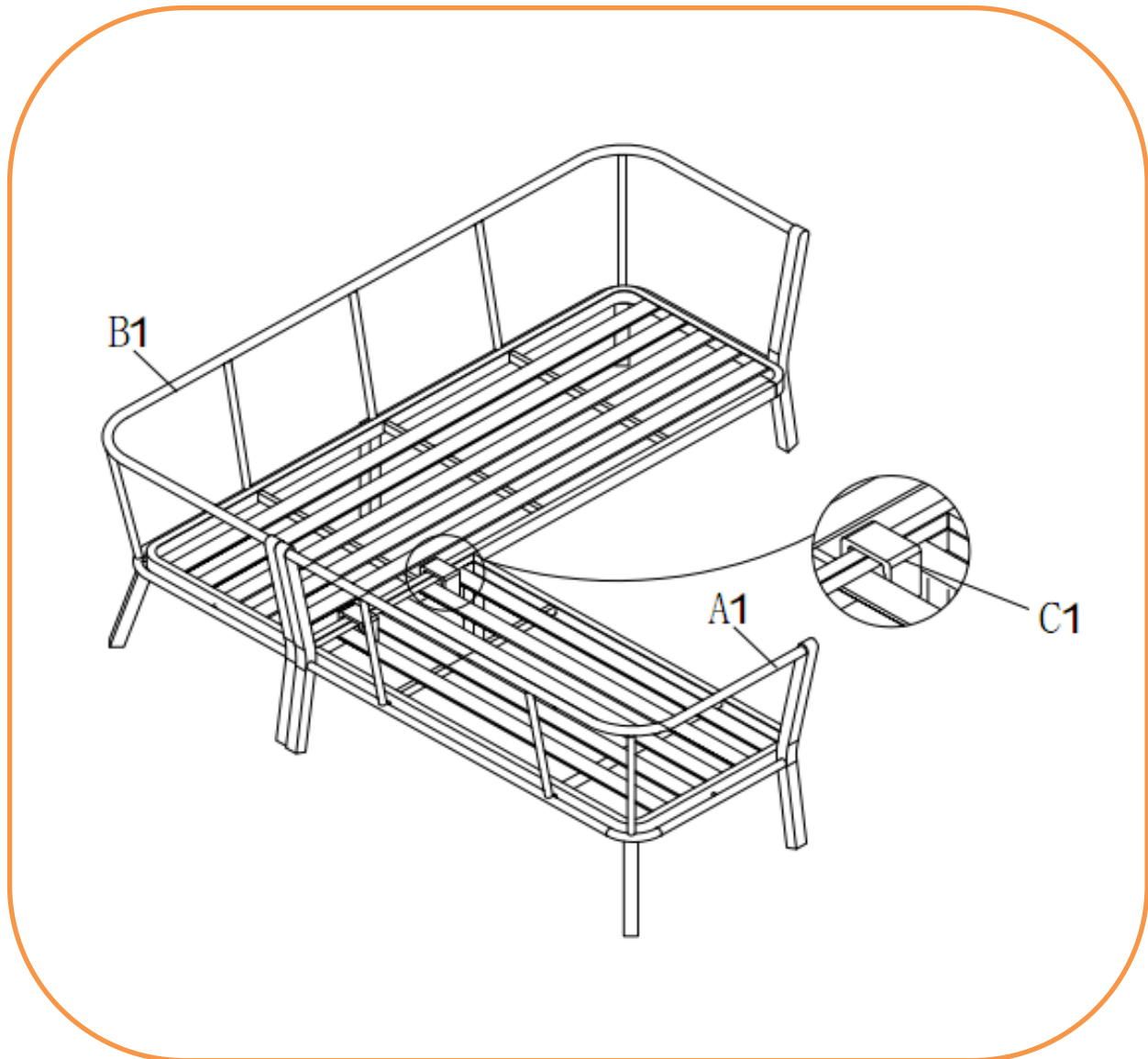
PLEASE KEEP ME WITH YOUR PROOF OF PURCHASE FOR FUTURE REFERENCE

ASSEMBLY STEPS:

1. Position part (A1B) and part (B1B) ready for assembly
2. **With 2** brackets (C1) position over the section that adjoin parts (A1) and (B1).
3. Turn sofas over and place in desired position.

For more information regarding maintenance of your furniture please visit www.hartmanuk.com

Component's					Fixings				
Parts List	Parts Picture	Description	Q'ty	Part no	Parts list	Parts Picture	Description	Q'ty	Part no.
A1B		Sofa 1	1	69019012A1B	C1		Bracket	2	2002174
B1B		Sofa 2	1	69019012B1B					



For replacement or lost spare parts please go to <http://faq.hartmanuk.co.uk/spares/>

Should you have any queries about your furniture your first point of contact should be the retailer from whom you purchased your product