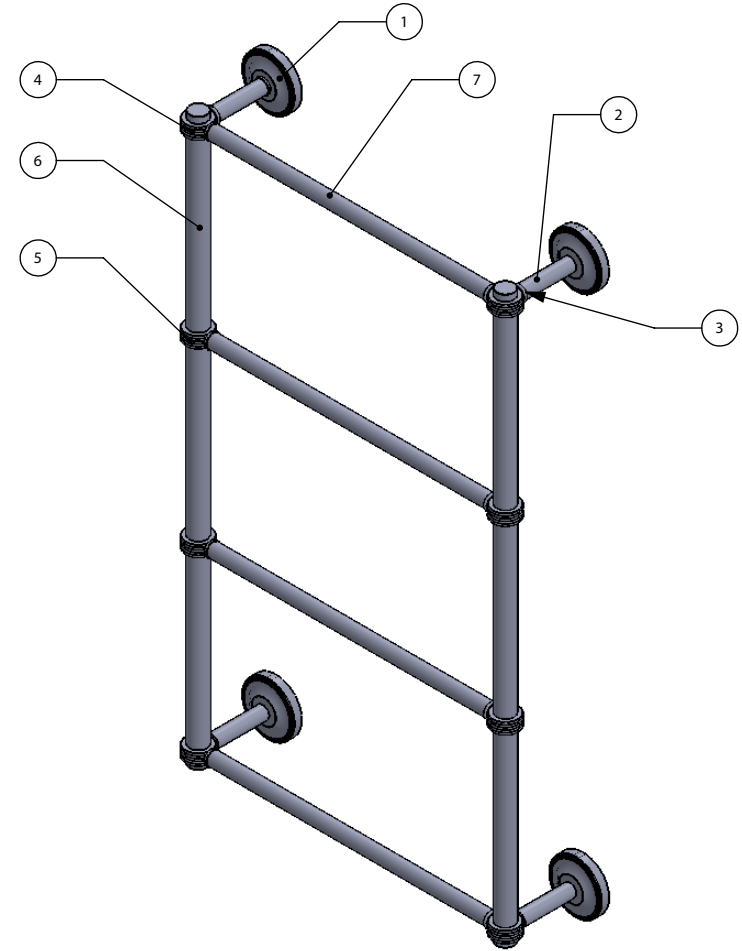
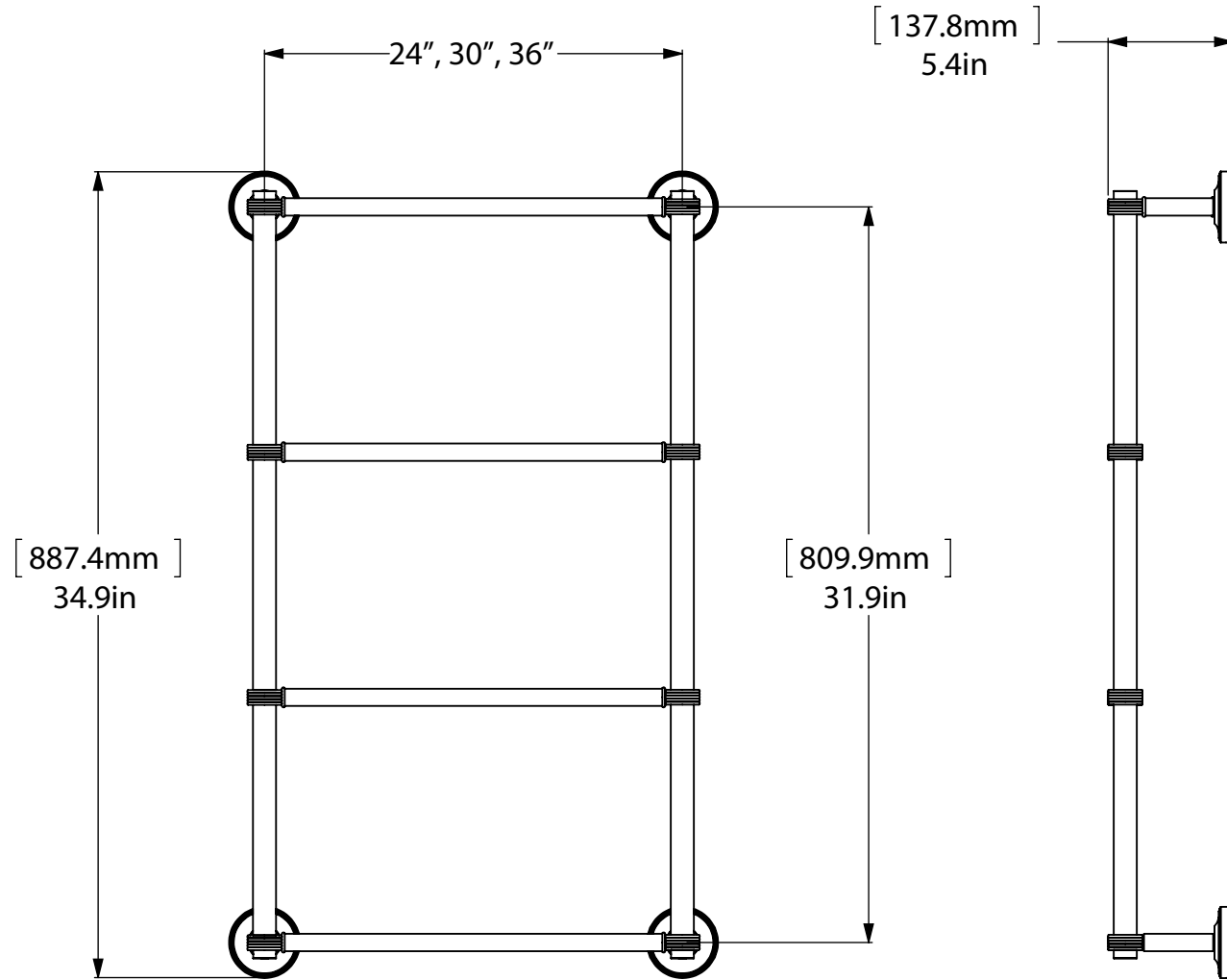


ITEM NO.	P/N	Description	QTY.
1	BPPR	BACKPLATE	4
2	TU34-3	POST	4
3	CRRD-34	CHECK RING	20
4	RGGVD	HUB	4
5	RGGVT	HUB	4
6	TU1-10	TUBE	6
7	TU34-24,30,36	BAR	4



UNLESS OTHERWISE STATED

.X	±.3mm
.XX	±.15mm
.XXX	±.008mm



MATERIAL:	BRASS
DESCRIPTION:	LADDER TOWEL BAR