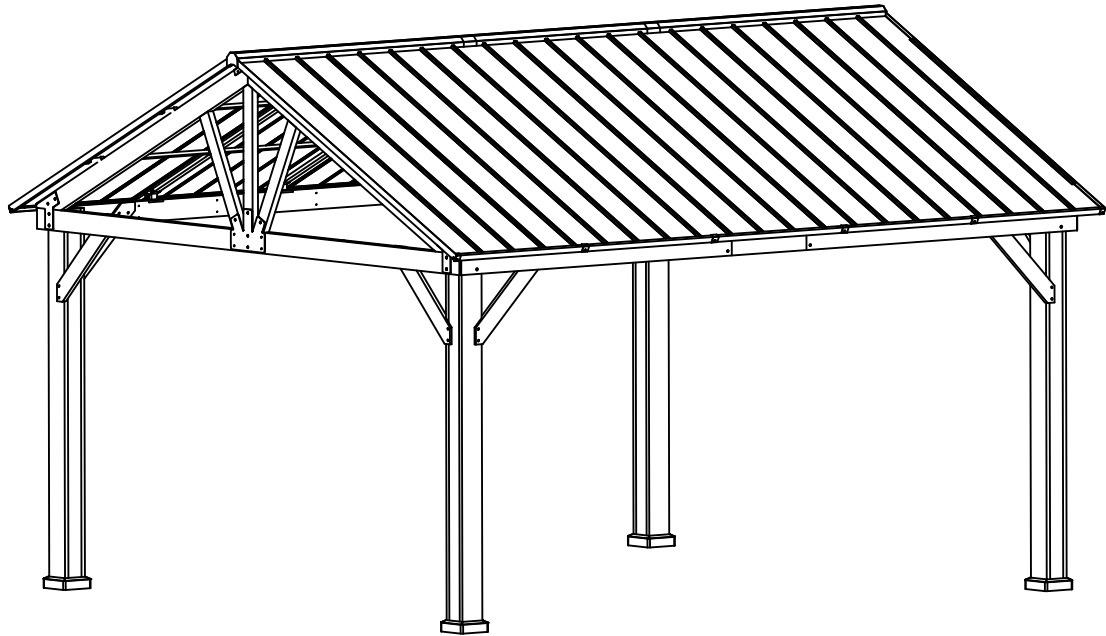


INSTRUCTION MANUAL



13FT x 15 FT Wood Gazebo Series C35

**IF YOU PURCHASED THE GAZEBO ONLINE AND HAVE ANY
QUESTIONS OR CONCERNS
PLEASE CONTACT US VIA EMAIL, TEXT OR PHONE**

EMAIL: service2outdoor@gmail.com

TEXT(SMS ONLY): +1 628-263-4608

PHONE: +1 877-561-6450

Date of Manufacture: 25W49

Warnings and Cautions

Thank you for choosing our gazebo. Please read and understand this entire manual before attempting to assemble or install the product.

GENERAL BEST PRACTICES FOR ASSEMBLY

1. Please check with your local governing authority/local municipal codes regarding installation and permitting of such structures before assembly.
2. The assembled gazebo should be located at least 6 feet from any obstruction such as fence, garage, house, overhanging branches, laundry lines or electrical wires.
3. Familiarize yourself with the product and check all parts against the packing list. If any parts are missing or damaged, do not install. Contact us immediately.
4. Some parts may contain sharp edges. Wear protective gloves if necessary, during assembly.
5. Assembly process pay attention to the parts orientation.
6. Save all packing materials until assembly is complete to avoid accidentally discarding smaller parts or hardware.

WARNINGS



To reduce the risk of serious injury, read the following safety instructions thoroughly before assembling and using the gazebo.

1. The product is required to be installed on level solid surface and is not intended for unsecured use. The gazebo is to be anchored to the surface with appropriate bolts or anchors. These anchors need to be purchased separately for the specific installation surface. Do not assemble the gazebo on soil, earth, or bare ground.
2. Keep children and pets away from the working area during assembly and adjustments.
3. On snowy days, in order to avoid damage, it is necessary to regularly clear the accumulated snow.

Please do not climb. You can use plastic rakes to remove the excessive snow and ice blocks on the roof. Take corresponding safety precautions to prevent the fallen snow from causing damage.

4. In case of stormy weather, please leave the risky gazebo as they might be damaged by the strong wind.

5. Requires two or more people to assemble and install safely and correctly.

6. Never leave children unsupervised around or under the gazebo.

7. Do not climb onto the gazebo or hanging heavy things on it, The middle hook of the pavilion can bear a load of 50 pounds.

8. If any scratch paint, please touch up to prevent rusting.

9. For outdoor use only. This product has passed the 9-level (54 miles per hour) wind resistance test and the 2100-pound top load-bearing capacity test.

WARRANTY

WHAT IS COVERED?

The limited warranty is extended to the original purchaser and applies to material and manufacturer's defect provided the item is maintained with care and used only for personal residential purposes.

Warranty: 1 Year

Lost Accessories or Parts Policy :

Lost accessories or parts costs will be incurred after 90 days of the date of purchase.

TIP: Our products have been designed for safety and quality. Any modifications made to the original product could damage the structural integrity of the product leading to failure and possible injury. We can not assume any responsibility for modified products. Furthermore, modifications void any and all warranties.

MAINTENANCE

1. Steel components for this gazebo are treated with rust inhibiting paint that protects it from rusting. However, due to the nature of steel, surface oxidation (rusting) will occur if these protective coatings are scratched. This is not a defect and thus not covered by the warranty.
2. To minimize this condition, it is recommended to use care when assembling and handling the product to prevent scratching the paint. Should any scratching or damage occur, it is recommended to cover the scratch immediately with rust inhibiting paint (not included).
3. Surface rust can also be easily removed with a very light application of regular cooking oil or WD-40. If surface oxidation (rusting) occurs and if no measure is taken to prevent this, the oxidation may start dripping onto deck or patio and cause damaging stains, which may be difficult to remove. This can be prevented if the above-mentioned measures are taken to keep the product from oxidizing.
4. Do not use bleach, acid, or other abrasive cleaners on the roof or frame parts.
5. Keep instruction manual for future reference.
6. Periodically check and ensure that all bolts are well-tighten during use.
7. The lumber is Chinese cedar, cedar is the best natural preserved lumber, we have done coating treated to prevent fiber decay and anti-UV. You may redo the coating treated every 1 year on the lumber surface. You could buy the painting in Home depot or Lowe's. Hope this helps.

Tools Needed (Not Included)



Pistol Drill



Tape Measure



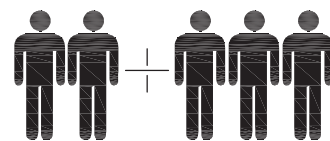
Hammer



Screwdriver

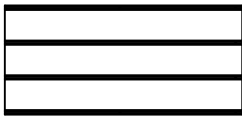
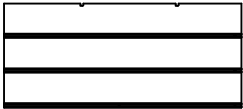
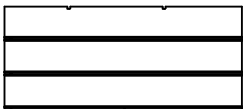


Ladder







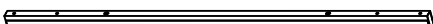







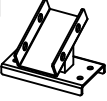
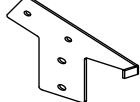
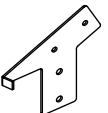







5 people

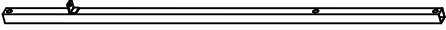
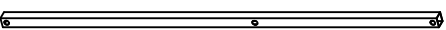
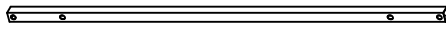
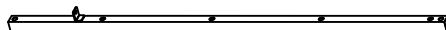
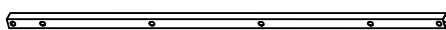
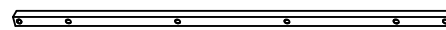
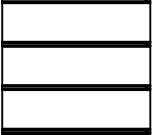
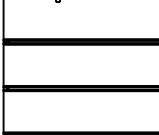

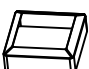
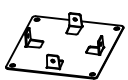


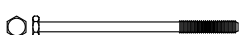

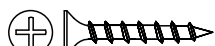

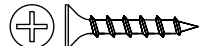
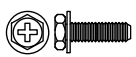

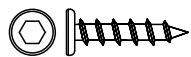
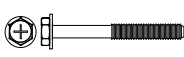

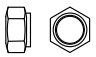




Parts List (Box 1)


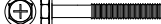

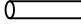
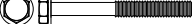






P15  Big Roof Cover Mid. 10 pcs	P13  Big Roof Cover Rig. 2 pcs	P14  Big Roof Cover Left 2 pcs
--	---	---

Parts List (Box 2)

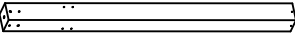




M3  Right Roof Side Tube 1 2 pcs	M4  Left Roof Side Tube 2 2 pcs	H3  Big Roof Middle Beam 8 pcs		
D  Top beam supportor 4 pcs	U1  Roof Side Cover 4 pcs	F3  Big Roof Beam 1 2 pcs		
F5  Middle beam of large top 1 pc	R4  Big Roof Cover 1 2 pcs	R5  Big Roof Cover 2 1 pc		
L1  Middle Roof Lower Tube 1 6 pcs	L2  Side Roof Lower Tube 2 4 pcs	C4  Triangular Connector 2 pcs		
A  Spacer 52 pcs	E  Robber Gasket 64 pcs	I  Middle Beam Lower Connector 8 pcs	C1  Triangular Connector 1 2 pcs	C2  Triangular Connector 2 2 pcs
O  Small Beam Presser 4 pcs	J1  Middle Closure Plate 8 pcs	J2  Right Closure Plate 2 pcs	J3  Light Closure Plate 2 pcs	W3  16 pcs

Parts List (Box 3)

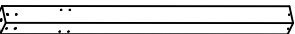
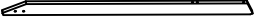
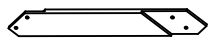
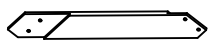
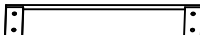
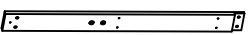
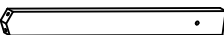
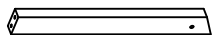
<p>N2</p>  <p style="text-align: center;">Big Roof Small Beam 2</p> <p style="text-align: center;">4 pcs</p>	<p>N3</p>  <p style="text-align: center;">Big Roof Small Beam 3</p> <p style="text-align: center;">4 pcs</p>	<p>N4</p>  <p style="text-align: center;">Big Roof Small Beam 4</p> <p style="text-align: center;">2 pcs</p>		
<p>N7</p>  <p style="text-align: center;">Big Roof Small Beam 7</p> <p style="text-align: center;">4 pcs</p>	<p>N8</p>  <p style="text-align: center;">Big Roof Small Beam 8</p> <p style="text-align: center;">4 pcs</p>	<p>N9</p>  <p style="text-align: center;">Big Roof Small Beam 9</p> <p style="text-align: center;">2 pcs</p>		
<p>P7</p>  <p style="text-align: center;">Small Roof Cover Middle</p> <p style="text-align: center;">10 pcs</p>	<p>P11</p>  <p style="text-align: center;">Small Roof Cover Right</p> <p style="text-align: center;">2 pcs</p>	<p>P12</p>  <p style="text-align: center;">Small Roof Cover Left</p> <p style="text-align: center;">2 pcs</p>		
<p>B</p>  <p style="text-align: center;">Base Cover</p> <p style="text-align: center;">4 pcs</p>	<p>C</p>  <p style="text-align: center;">Base</p> <p style="text-align: center;">4 pcs</p>	<p>G2</p>  <p style="text-align: center;">Roof Beam Connector</p> <p style="text-align: center;">2 pcs</p>	<p>T</p>  <p style="text-align: center;">Catch</p> <p style="text-align: center;">2 pcs</p>	
<p>AA</p>  <p style="text-align: center;">Bolt M10*205</p> <p style="text-align: center;">8 pcs</p>	<p>BB</p>  <p style="text-align: center;">Flat Washer M6</p> <p style="text-align: center;">68 pcs</p>	<p>CC</p>  <p style="text-align: center;">Screw M5*40</p> <p style="text-align: center;">80 pcs</p>	<p>DD</p>  <p style="text-align: center;">Nut M6</p> <p style="text-align: center;">68 pcs</p>	<p>EE</p>  <p style="text-align: center;">Screw M5*30</p> <p style="text-align: center;">80 pcs</p>
<p>FF</p>  <p style="text-align: center;">Bolt M6*15</p> <p style="text-align: center;">142 pcs</p>	<p>HH</p>  <p style="text-align: center;">Bolt M8*35</p> <p style="text-align: center;">16 pcs</p>	<p>II</p>  <p style="text-align: center;">Bolt M8*35</p> <p style="text-align: center;">16 pcs</p>	<p>JJ</p>  <p style="text-align: center;">Bolt M6*55</p> <p style="text-align: center;">16 pcs</p>	<p>KK</p>  <p style="text-align: center;">Bolt M8*25</p> <p style="text-align: center;">28 pcs</p>
<p>LL</p>  <p style="text-align: center;">Non-slip Nuts M10</p> <p style="text-align: center;">8 pcs</p>	<p>MM</p>  <p style="text-align: center;">Flat Washer M8</p> <p style="text-align: center;">30 pcs</p>	<p>NN</p>  <p style="text-align: center;">Flat Washer M10</p> <p style="text-align: center;">24 pcs</p>	<p>OO</p>  <p style="text-align: center;">Screw M10*80</p> <p style="text-align: center;">8 pcs</p>	<p>PP</p>  <p style="text-align: center;">Stake Φ8*180</p> <p style="text-align: center;">8 pcs</p>

RR  M3 Drill	SS  Bolt M6*45	UU  Non-slip nuts M8	S  Steel Pin Φ8*55	WW  Bolt M8*50
2 pcs	52 pcs	14 pcs	12 pcs	14 pcs
YY 	ZZ  Hook	Z1  Wrench M6	Z2  Allen Key M8	Z3  Wrench M8
8 pcs	2 pcs	2 pcs	1 pc	2 pcs
Z4  Wrench M10				
2 pcs				

Parts List (Box 4)

08  Post	01  Outer Long Left Beam (Short)	02  Outer Long Right Beam (Short)	05  Inner Middle Beam
2 pcs	6 pcs	2 pcs	4 pcs
07  Beam of internal short side			
4 pcs			

Parts List (Box 5)

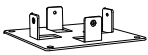
08  Post	21  Triangular Support Beam	10  Arc Support 1	11  Arc Support 2
2 pcs	4 pcs	4 pcs	4 pcs
16  Middle beam of external long side	18  Beam of internal long side	22  Triangular Middle Support Beam	23  Triangular Frame Slanting Beam
2 pcs	4 pcs	2 pcs	4 pcs



08 4x

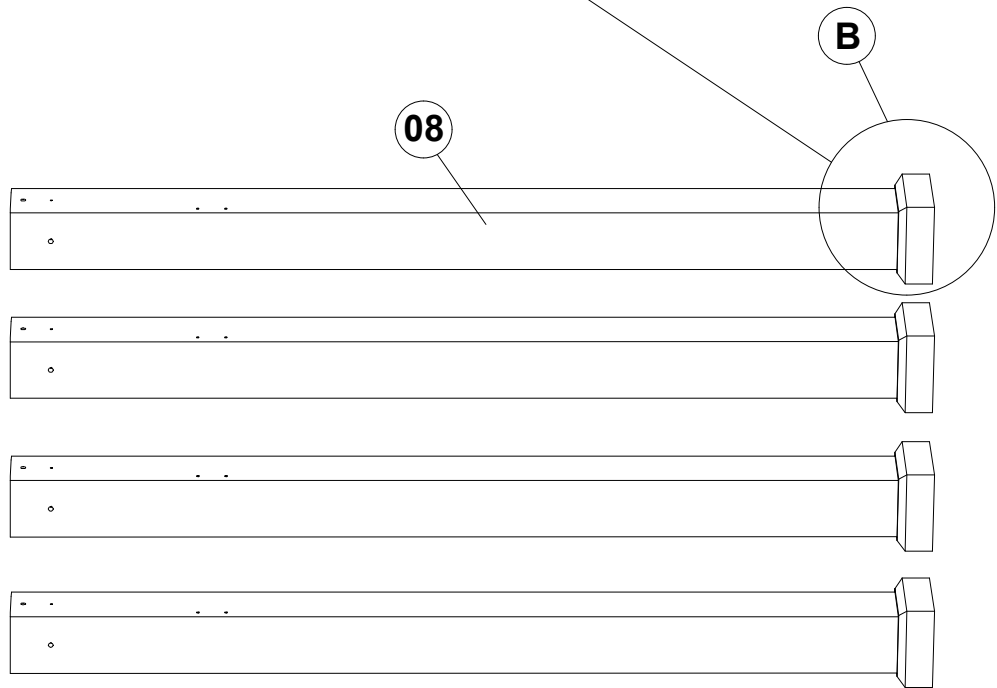
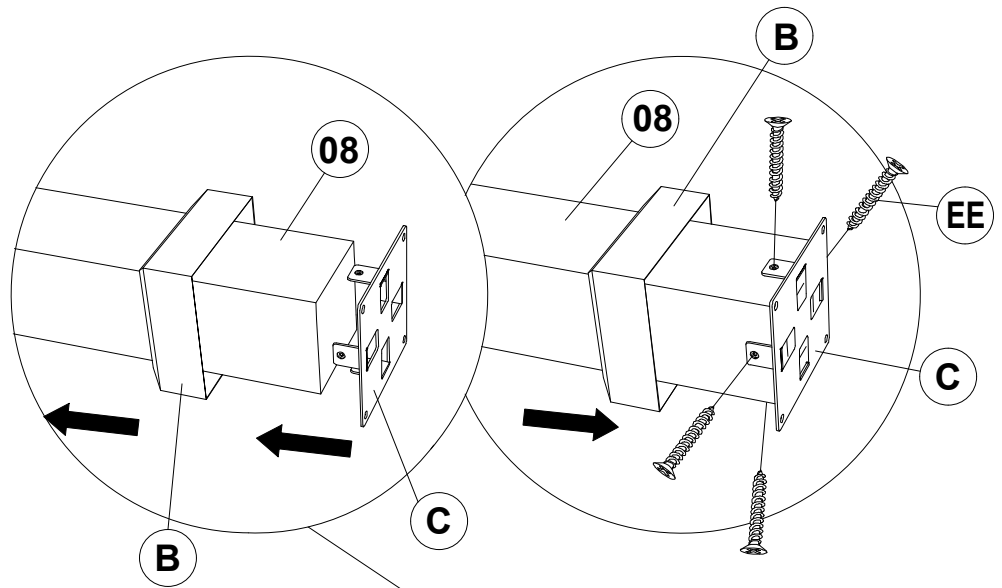


B 4x



C 4x

<1>



8



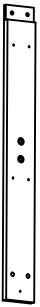
EE 16x

M5*30

<2>



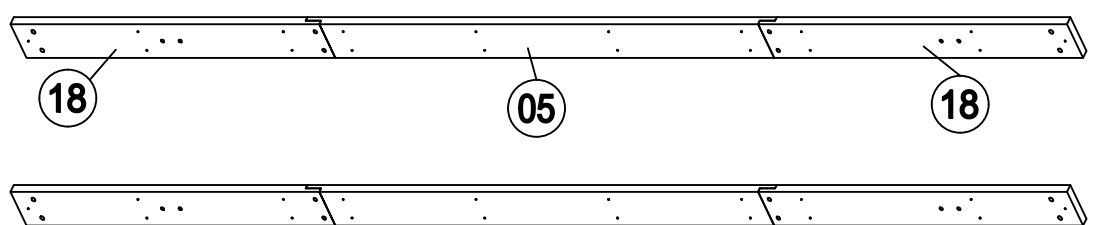
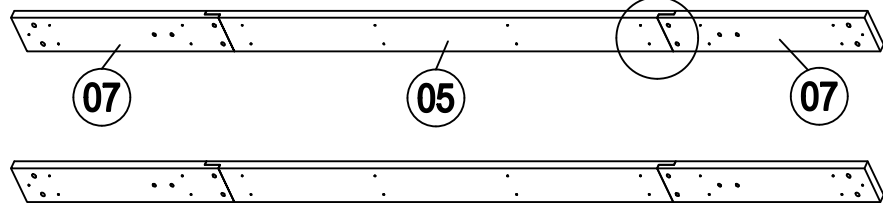
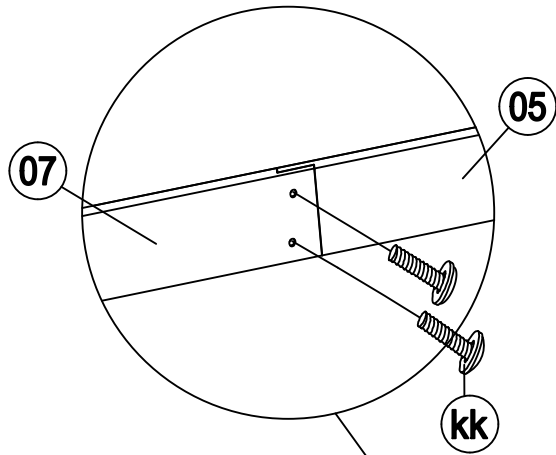
05 4x



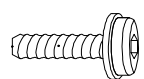
07 4x



18 4x



9



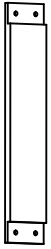
KK 16x

M8*25

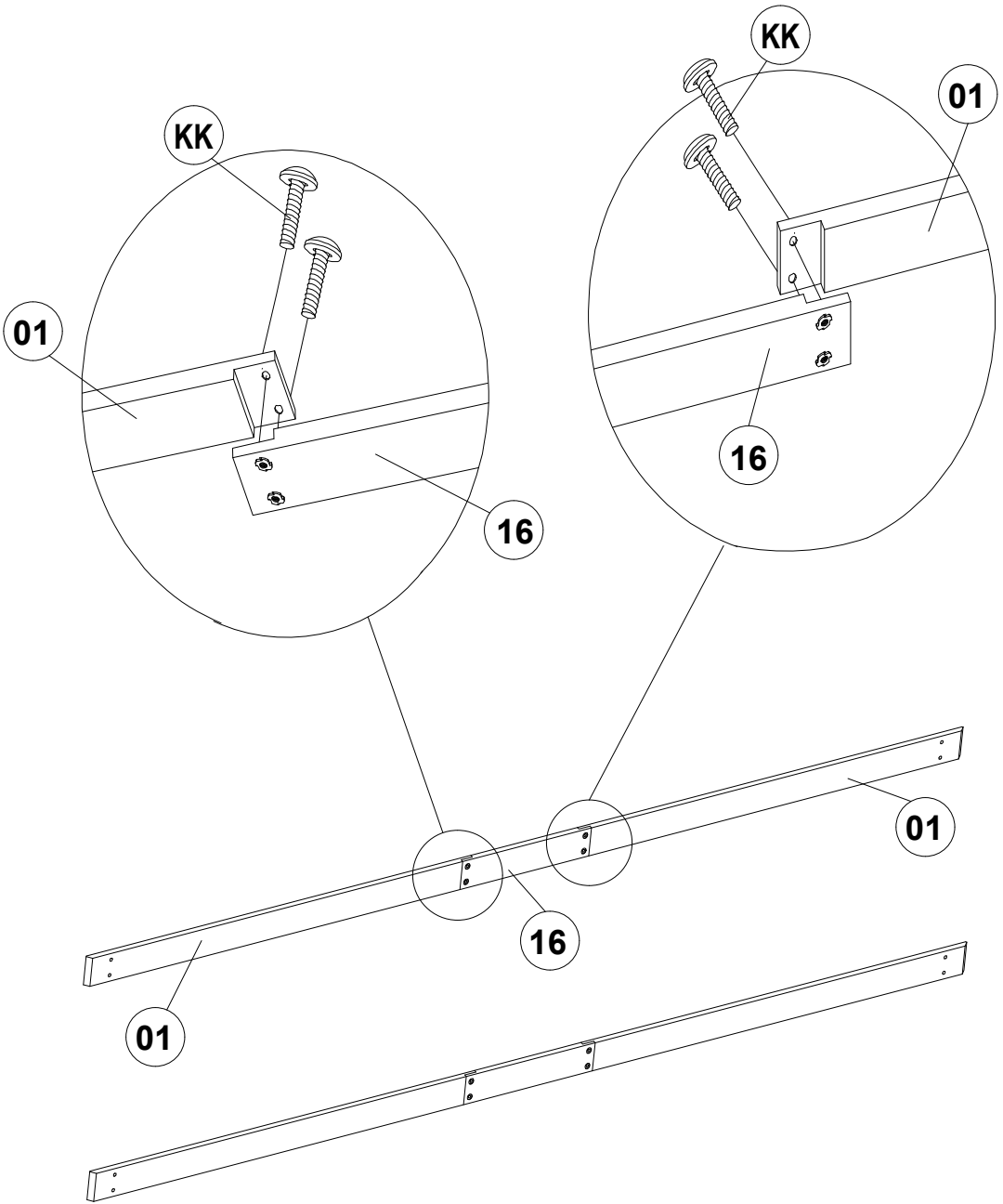
<4>



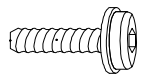
01 4x



16 2x

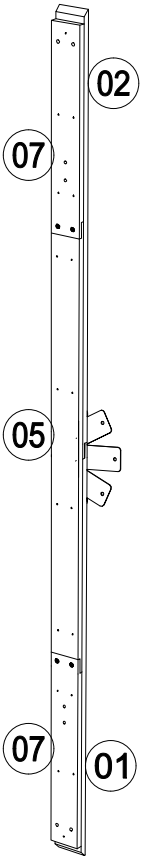


11

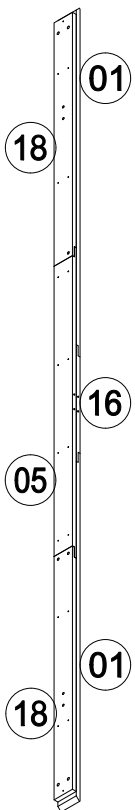


KK 8x M8*25

<5>

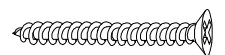
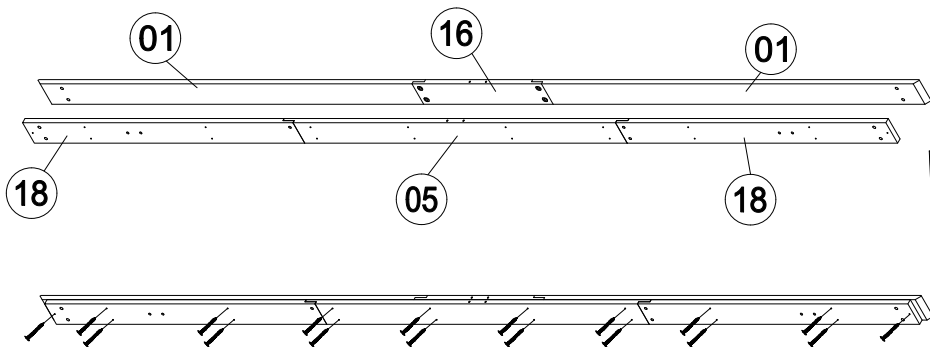
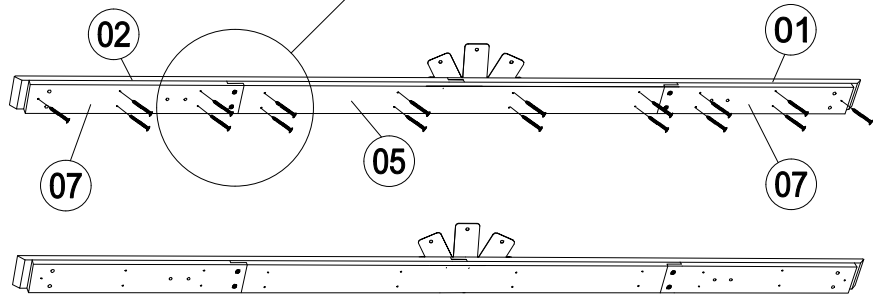
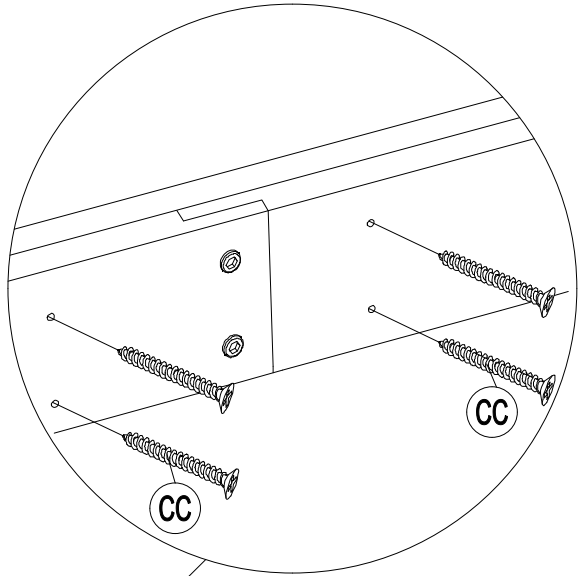


2x



2x

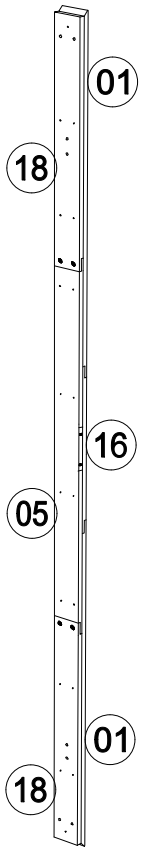
12



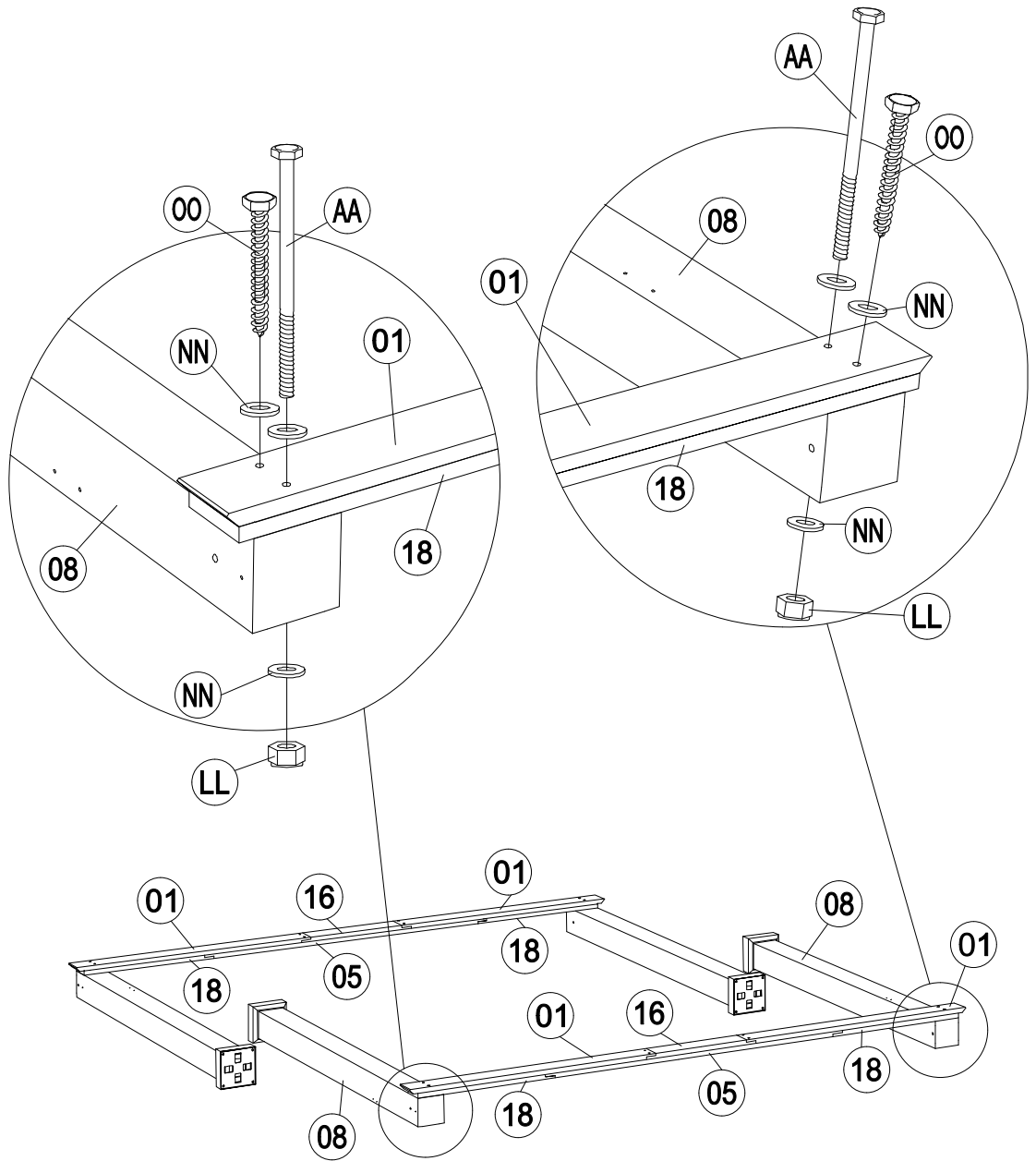
CC 72x




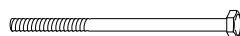
M5*40

<6>



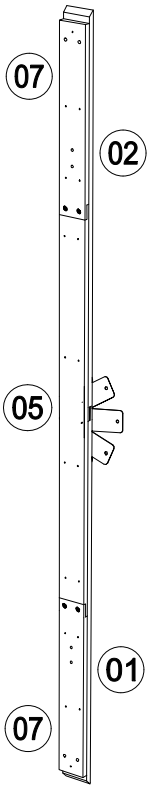
2x



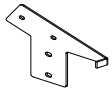
 LL 4x M10	 NN 12x M10
 00 4x M10*80	 AA 4x M10*205

13

<7>



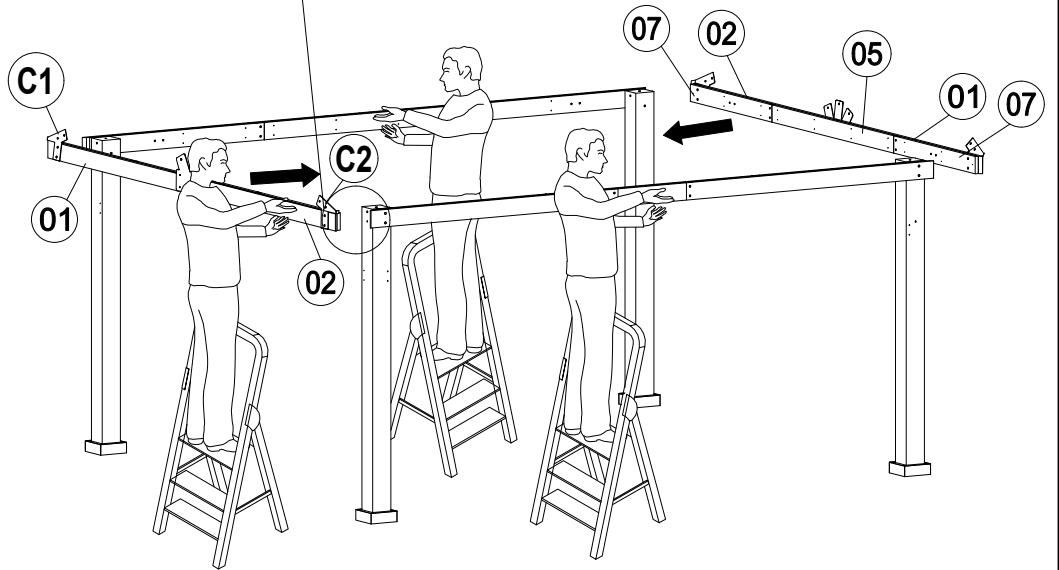
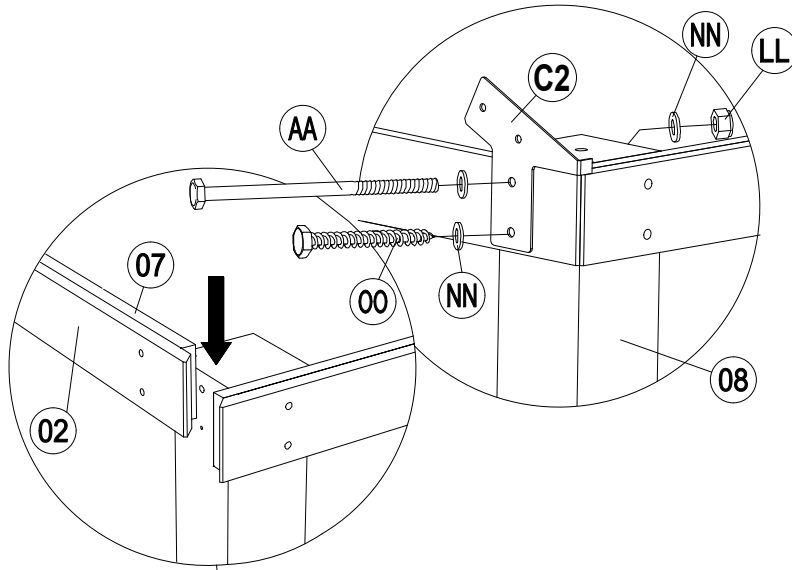
2x






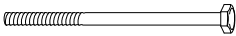
C1 2x



C2 2x



14

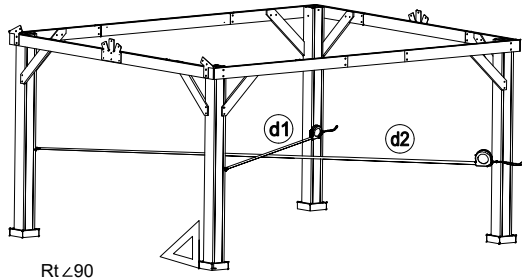
 LL 4x M10	 NN 12x M10
 OO 4x M10*80	 AA 4x M10*205

<8>



10 4x

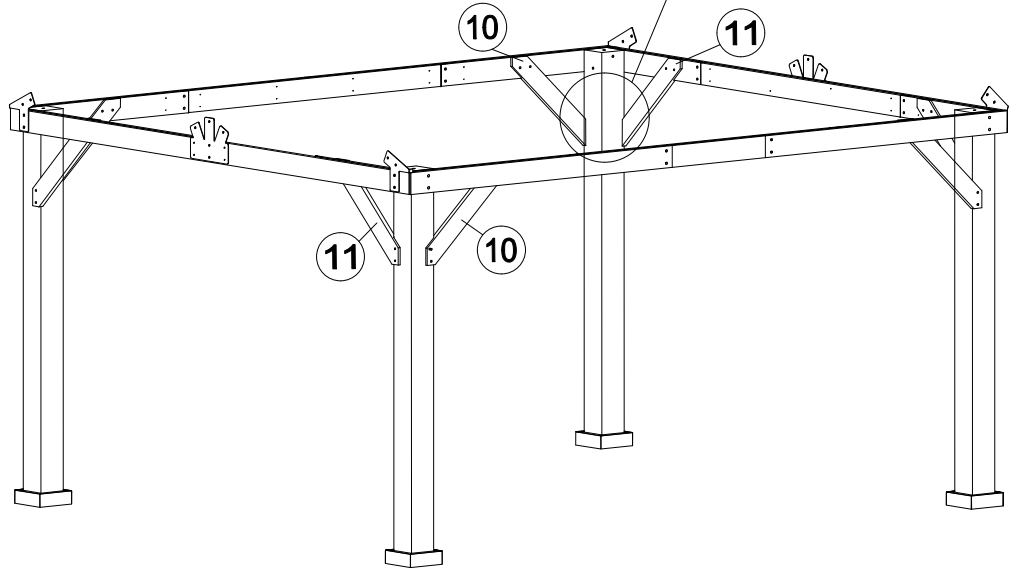
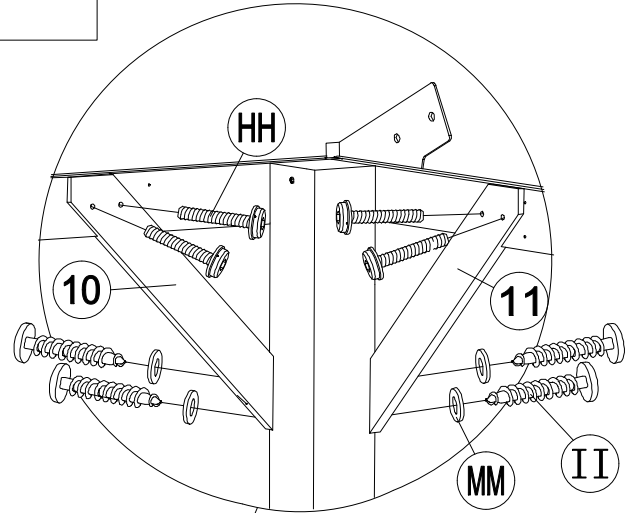
i d1=d2



Rt $\angle 90$



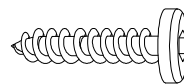
11 4x



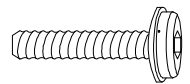
15



MM 16x M8



II 16x M8*35



HH 16x M8*35

<9>



21 4x



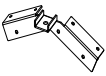
22 2x



23 4x

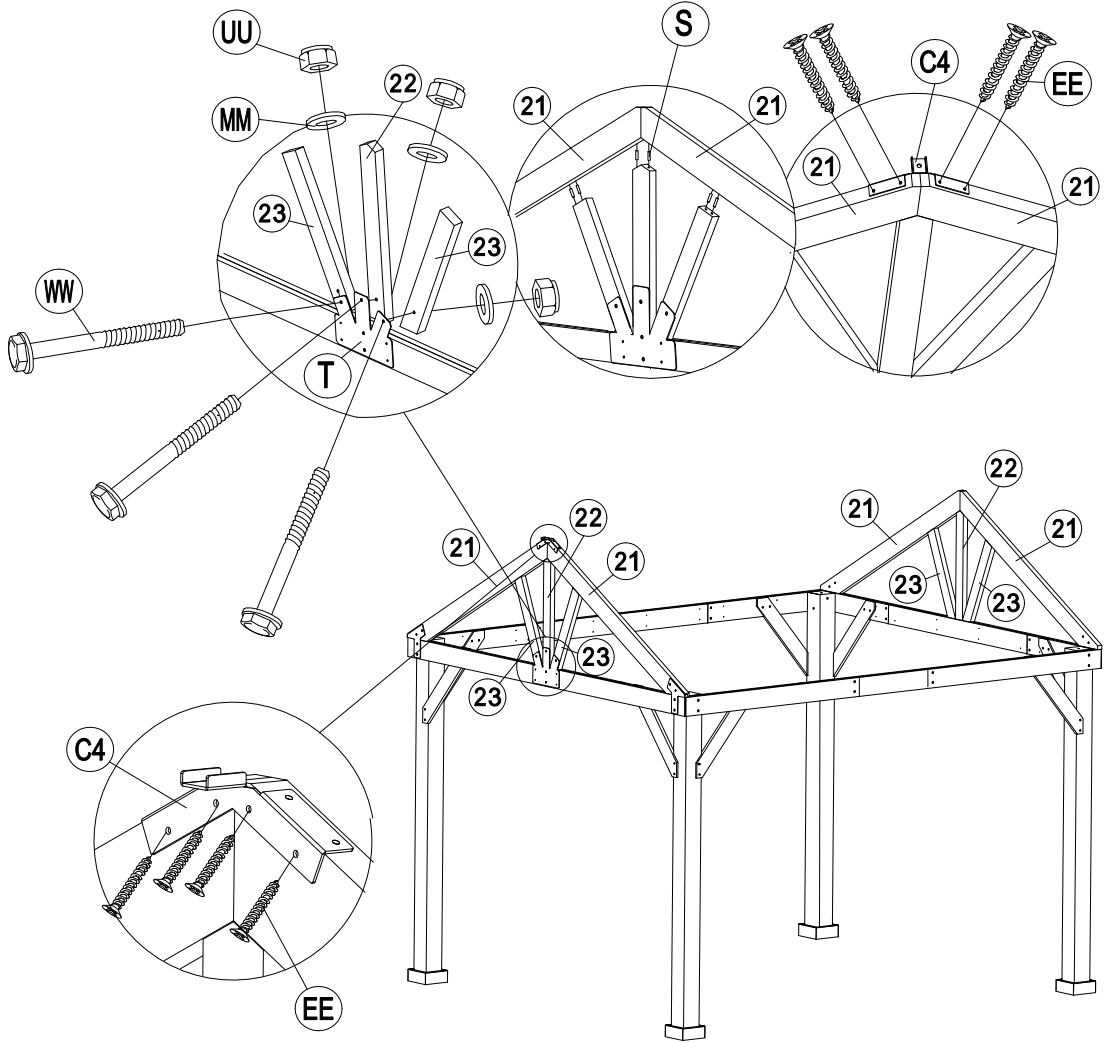





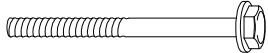
S 12x



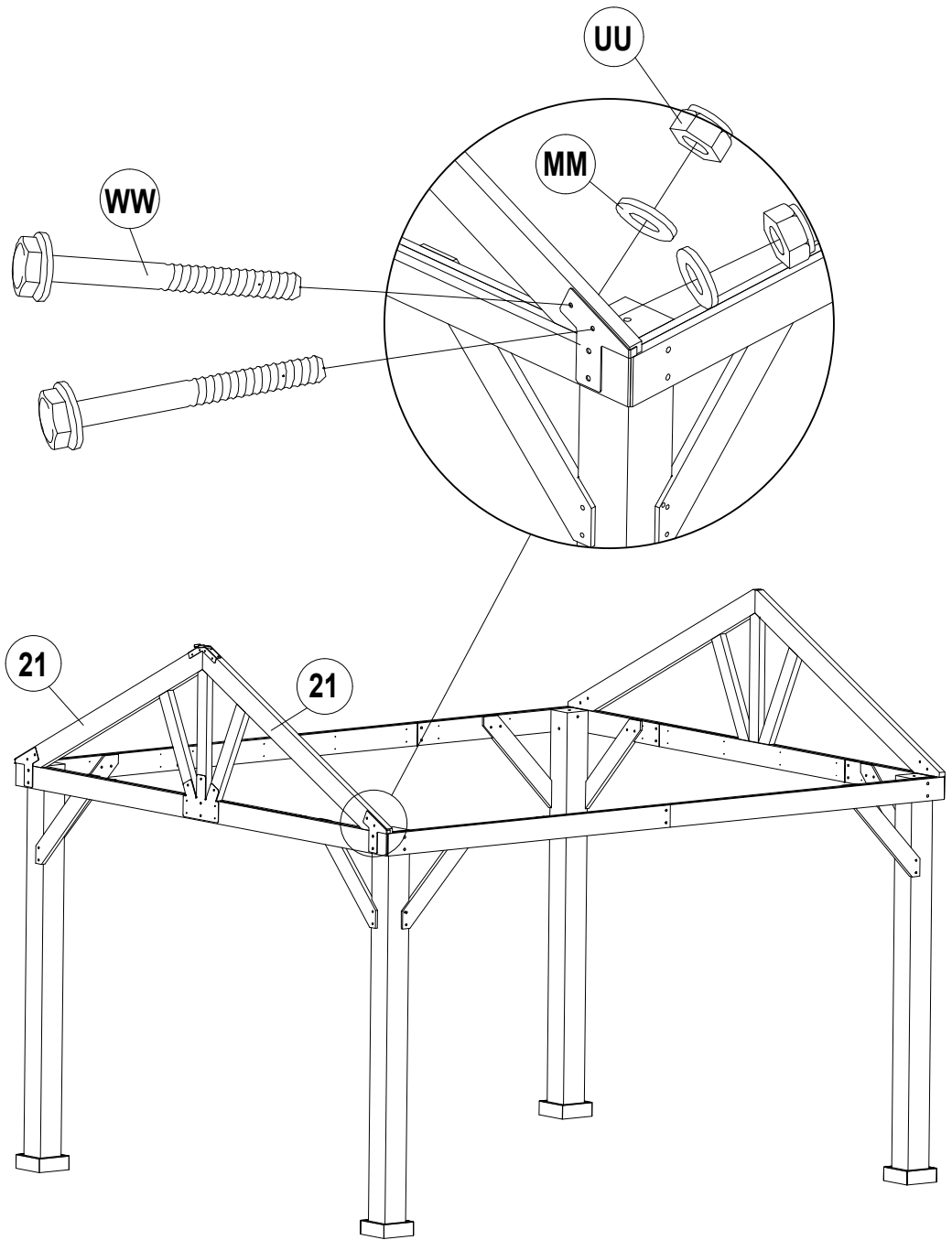
C4 2x

16



 UU 6x M8	 MM 6x M8
 EE 16x M5*30	 WW 6x M8*50

<10>



17

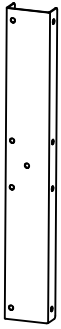
 UU 8x M8	 MM 8x M8	 WW 8x M8*50
--------------	--------------	-----------------

<11>

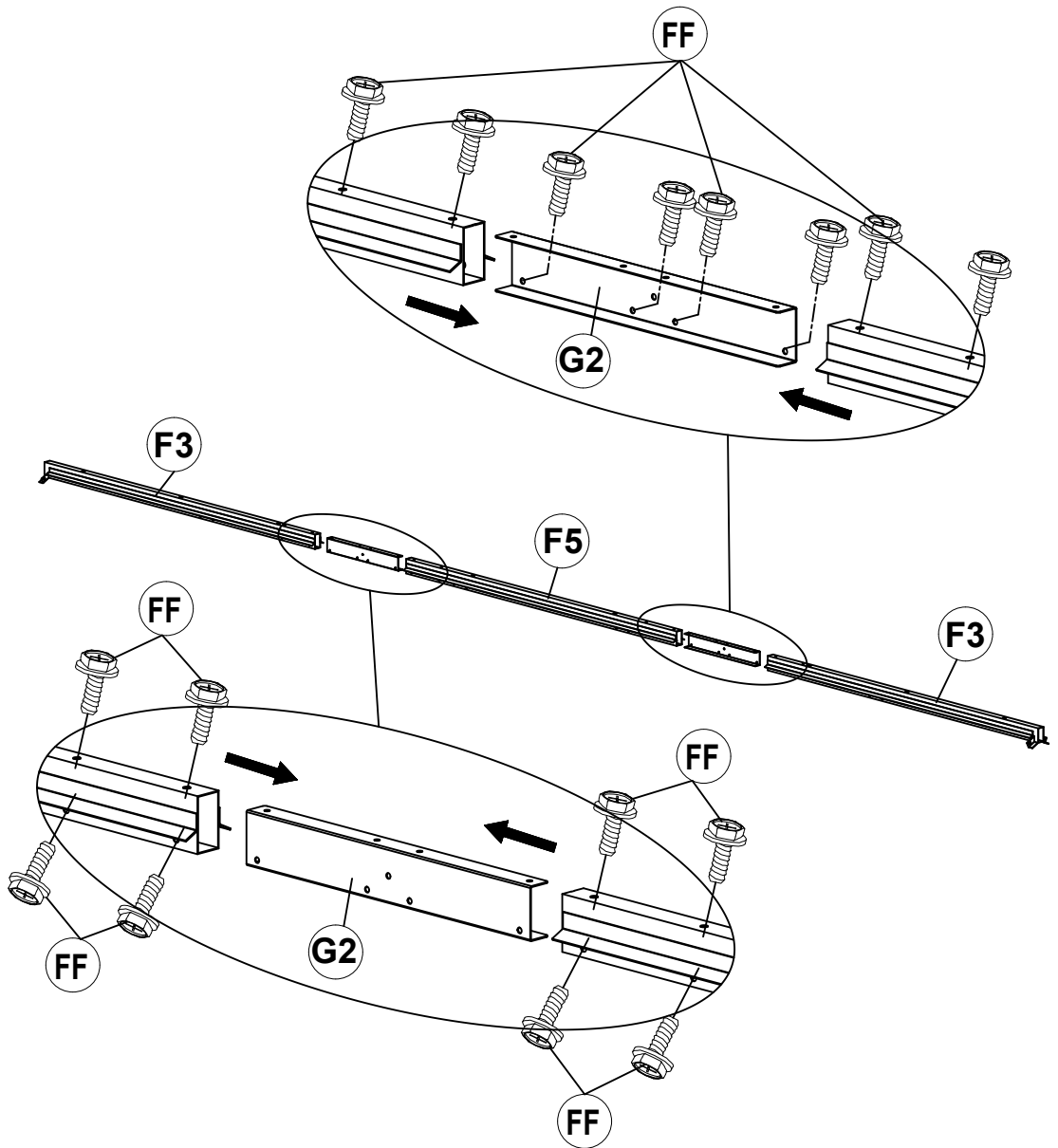
F5 1x



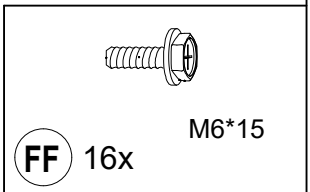
G2 2x



F3 2x



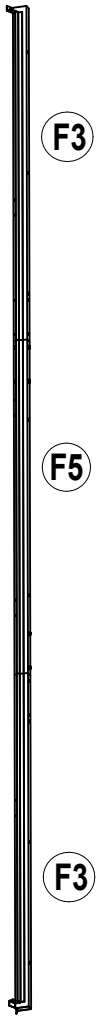
18



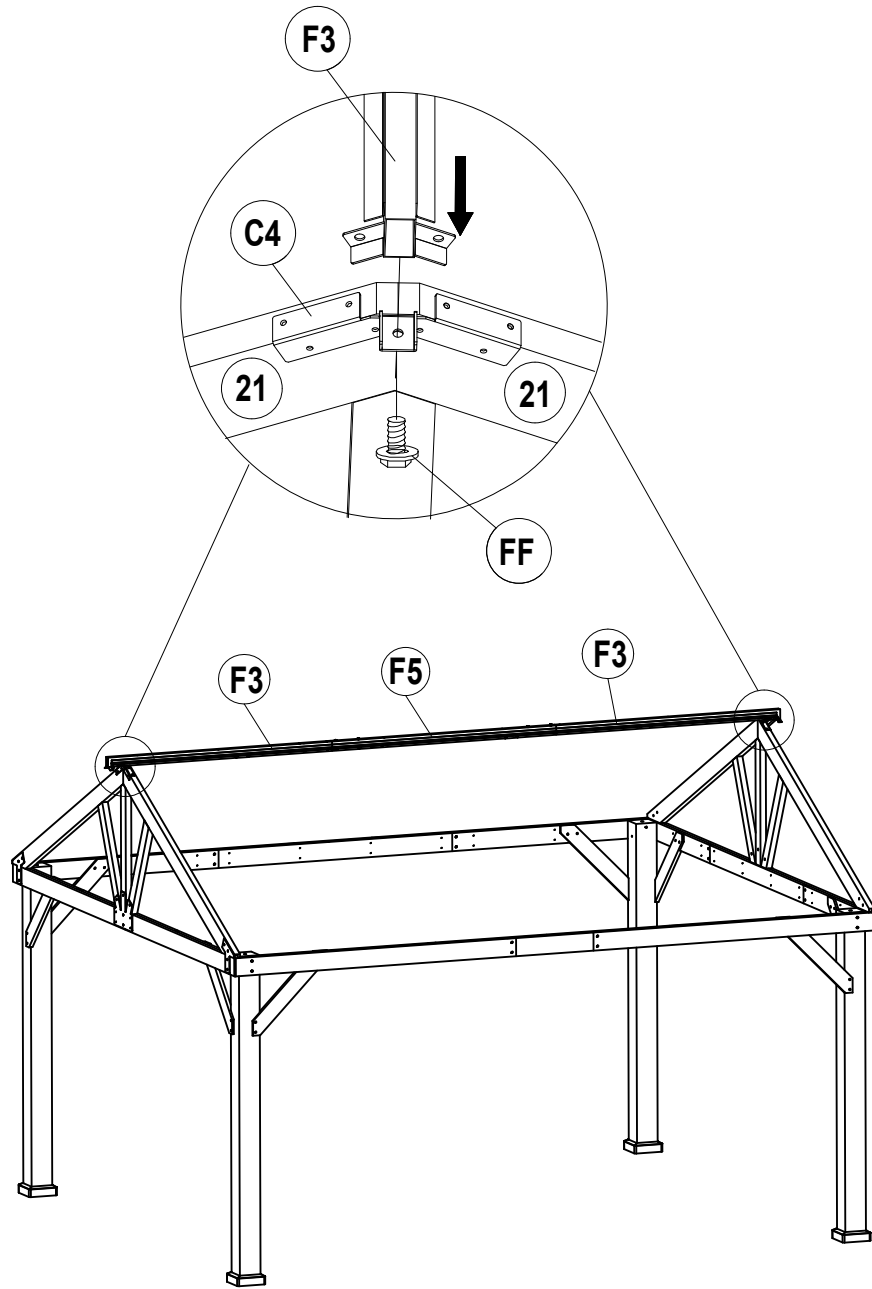
FF 16x

M6*15

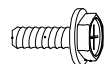
<12>



1x



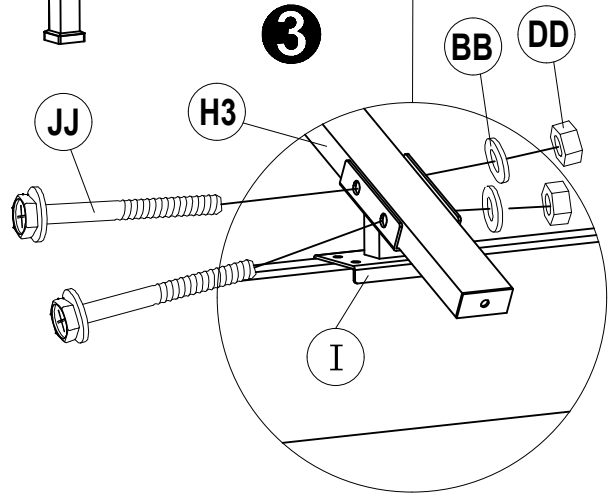
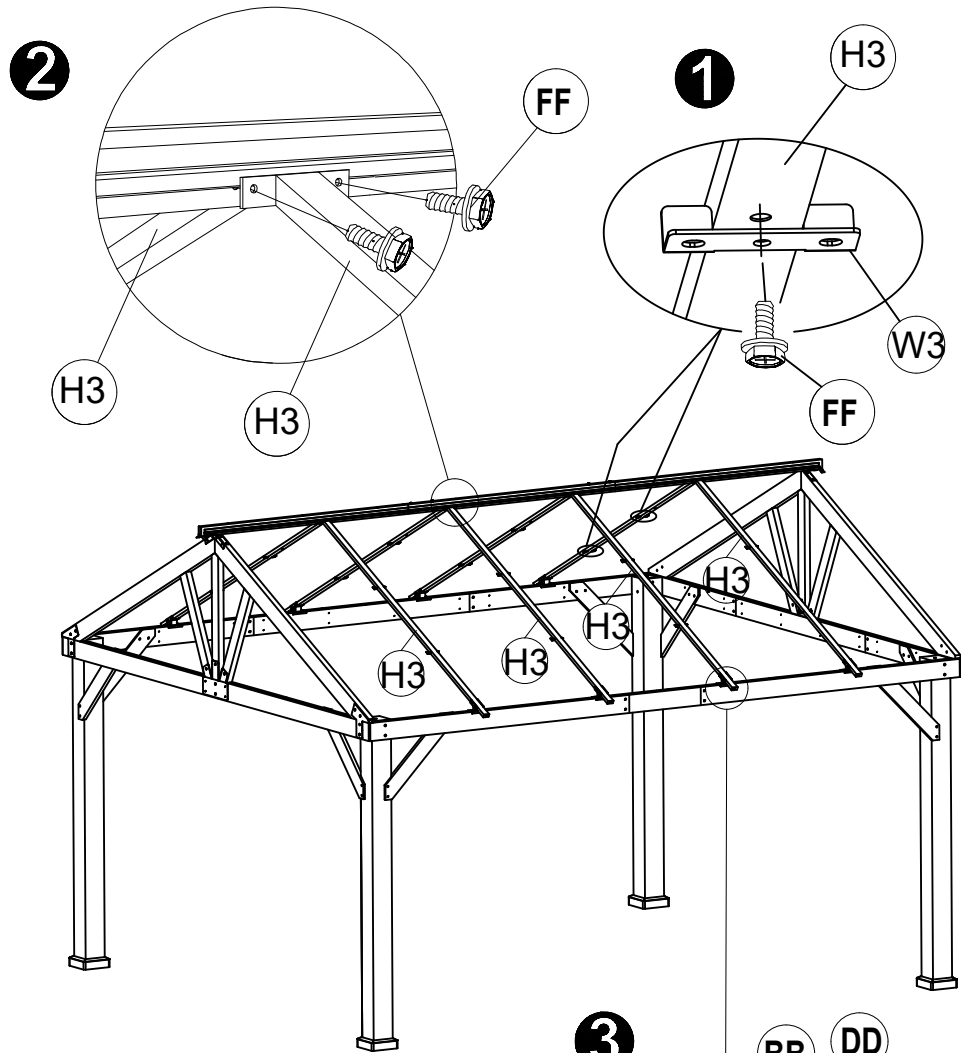
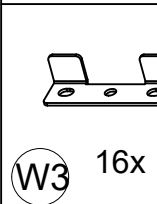
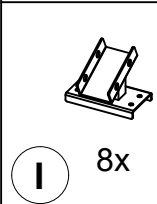
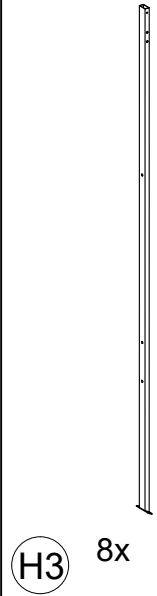
19



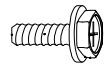
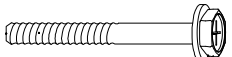


FF 2x

M6*15

<13>



 DD 16x M6	 BB 16x M6
 FF 32x M6*15	 JJ 16x M6*55

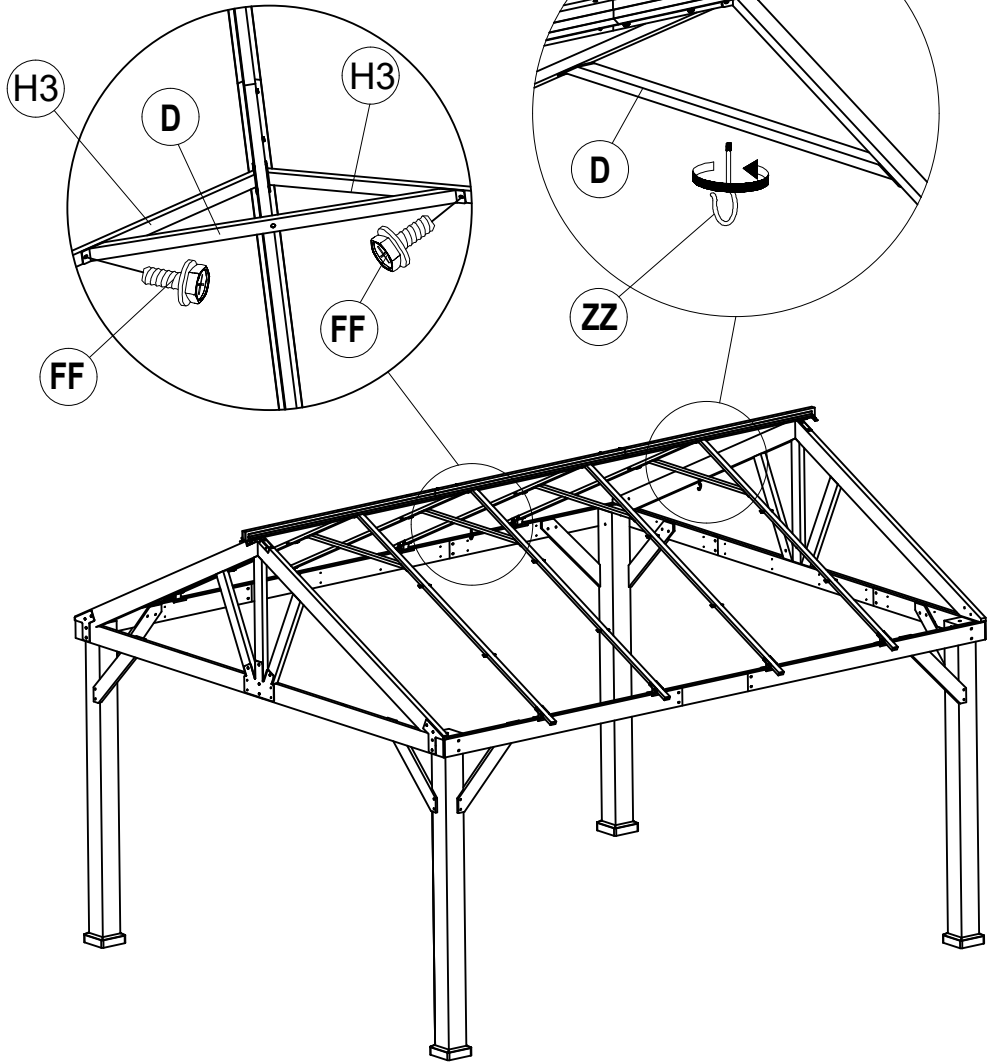
<14>



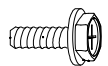
D 4x



ZZ 2x



21

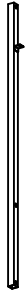


FF 8x

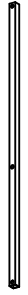
M6*15

<15>

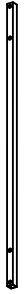
N2 4x



N3 4x



N4 2x



N7 4x



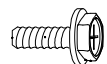
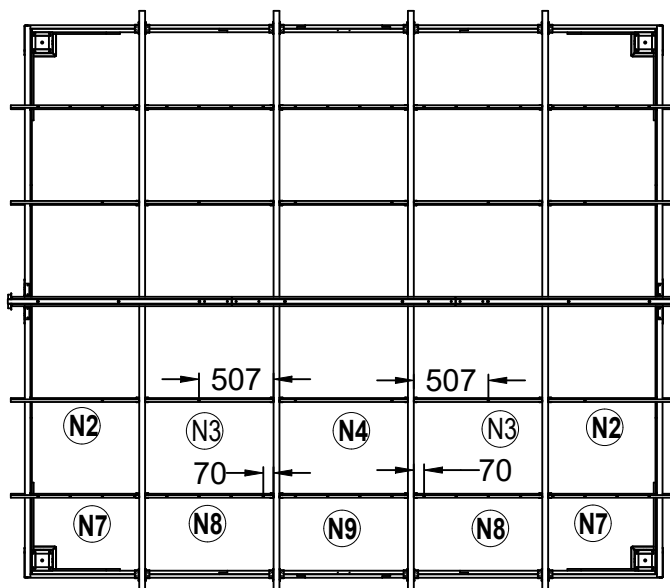
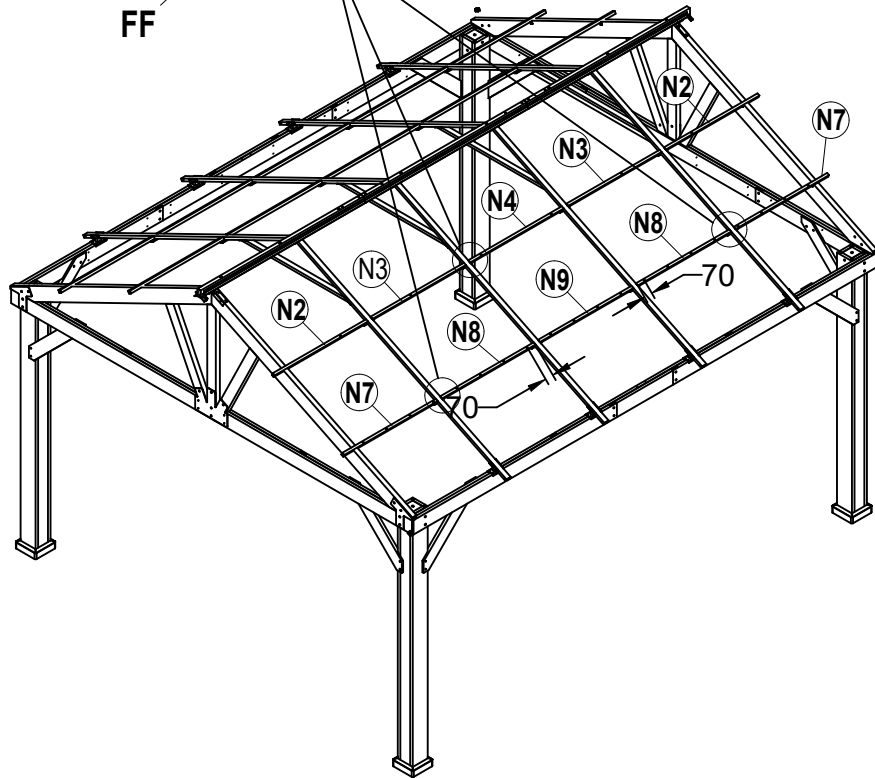
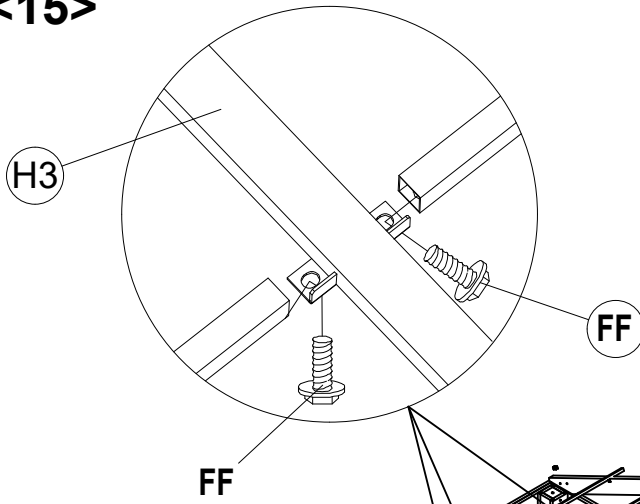
N8 4x



N9 2x



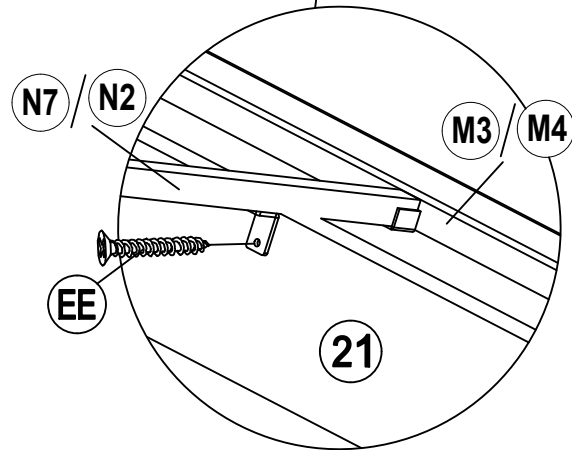
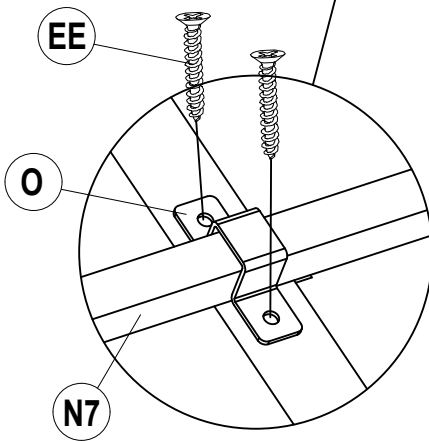
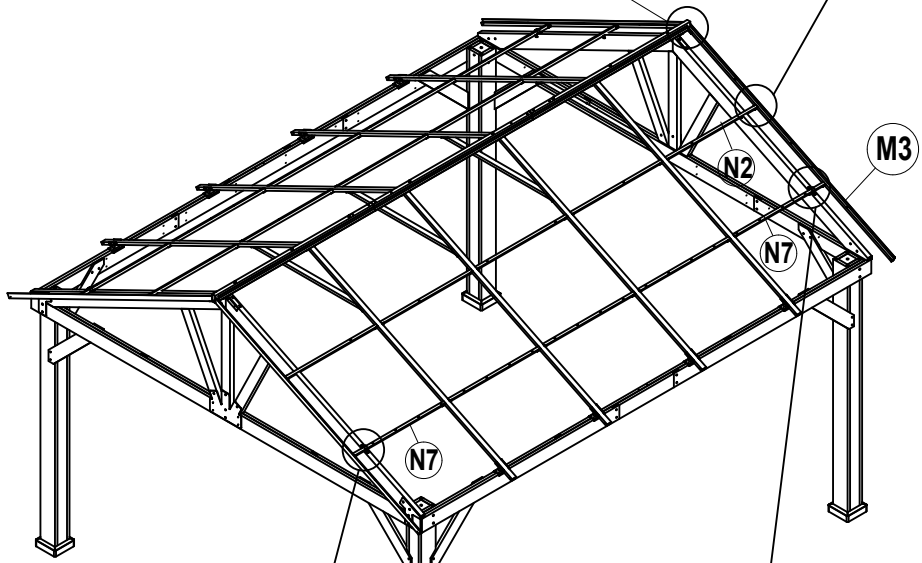
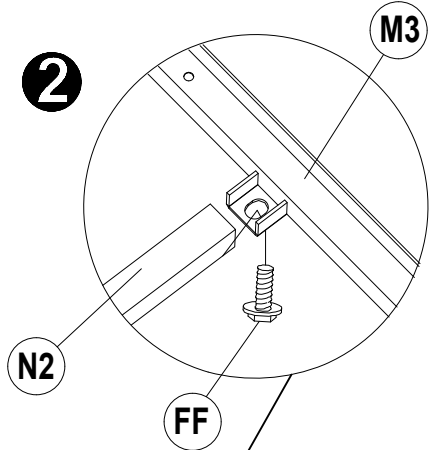
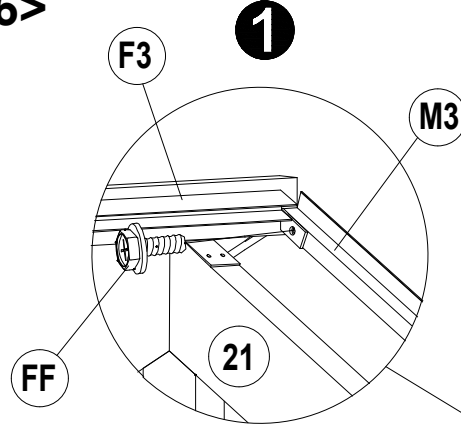
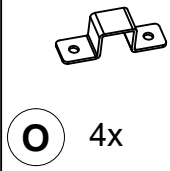
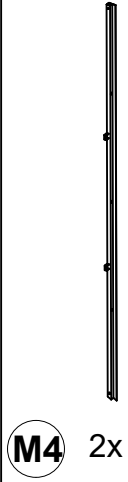
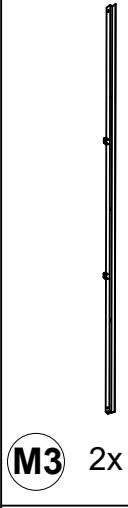
22



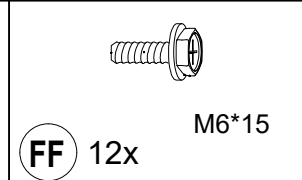
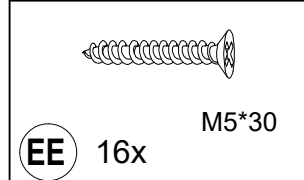
FF 32x

M6*15

<16>



23



<17>



L1 6x



L2 4x



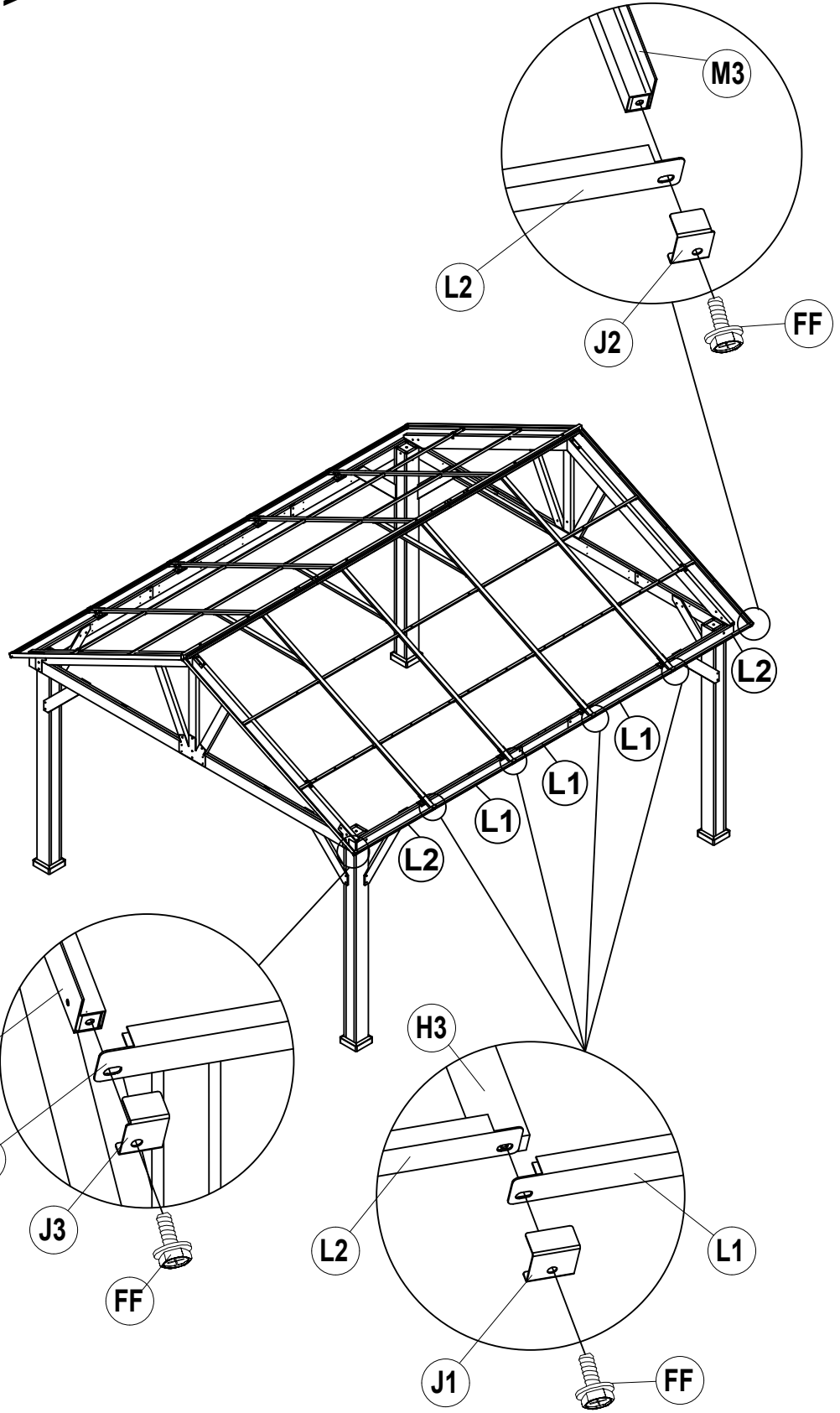
J1 8x



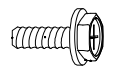
J2 2x



J3 2x

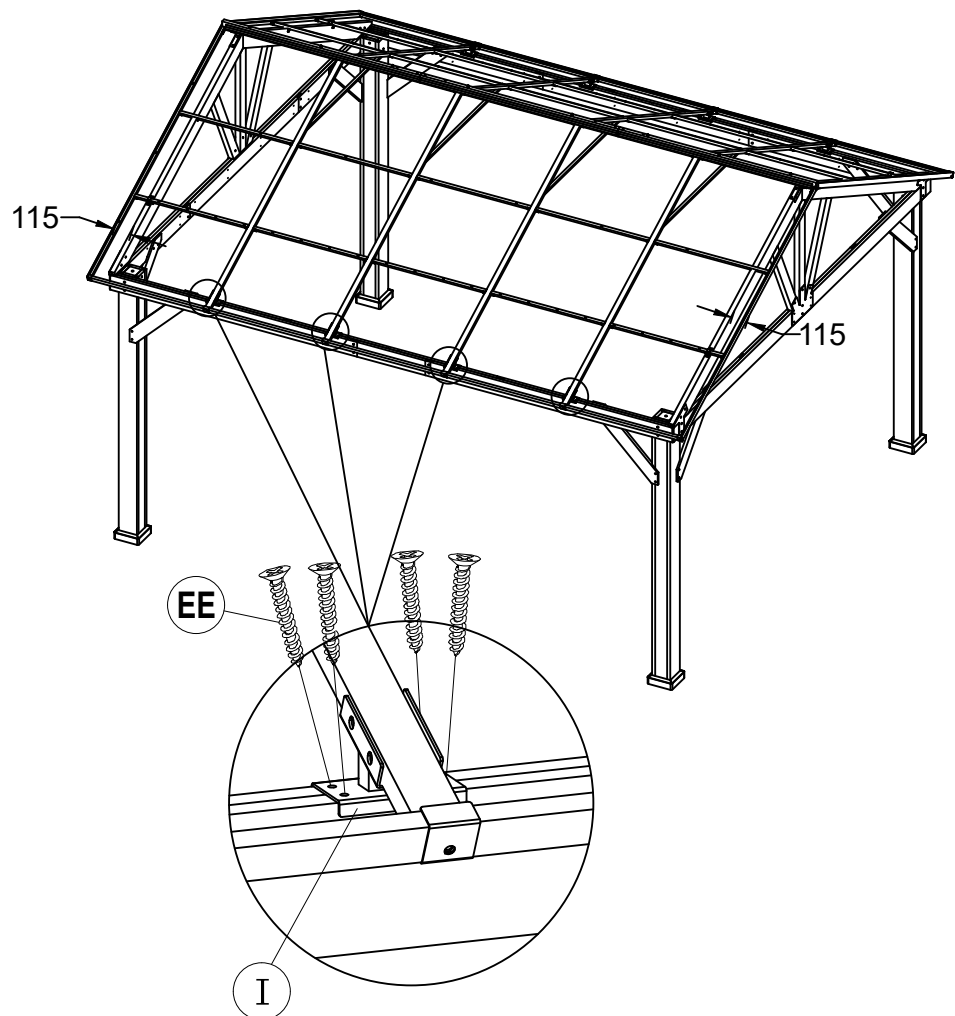
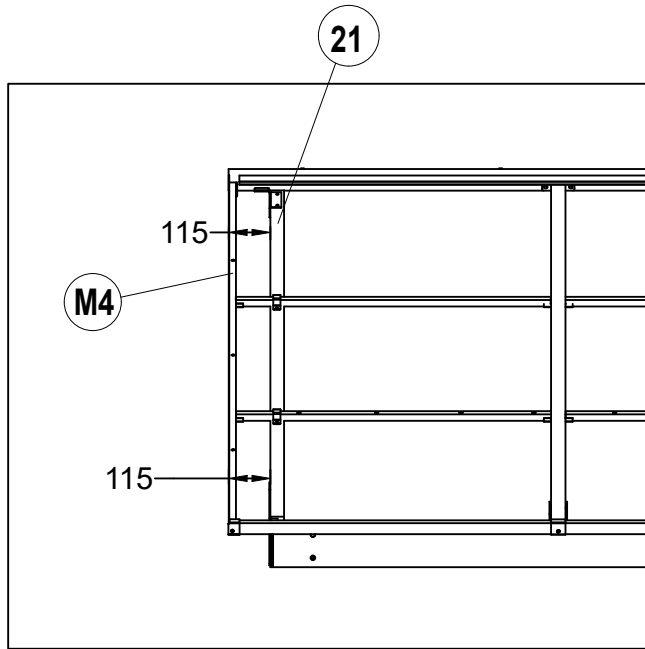


24



FF 12x M6*15

<18>



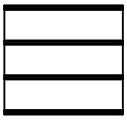
25



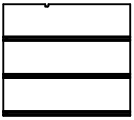
EE 32x

M5*30

<19>



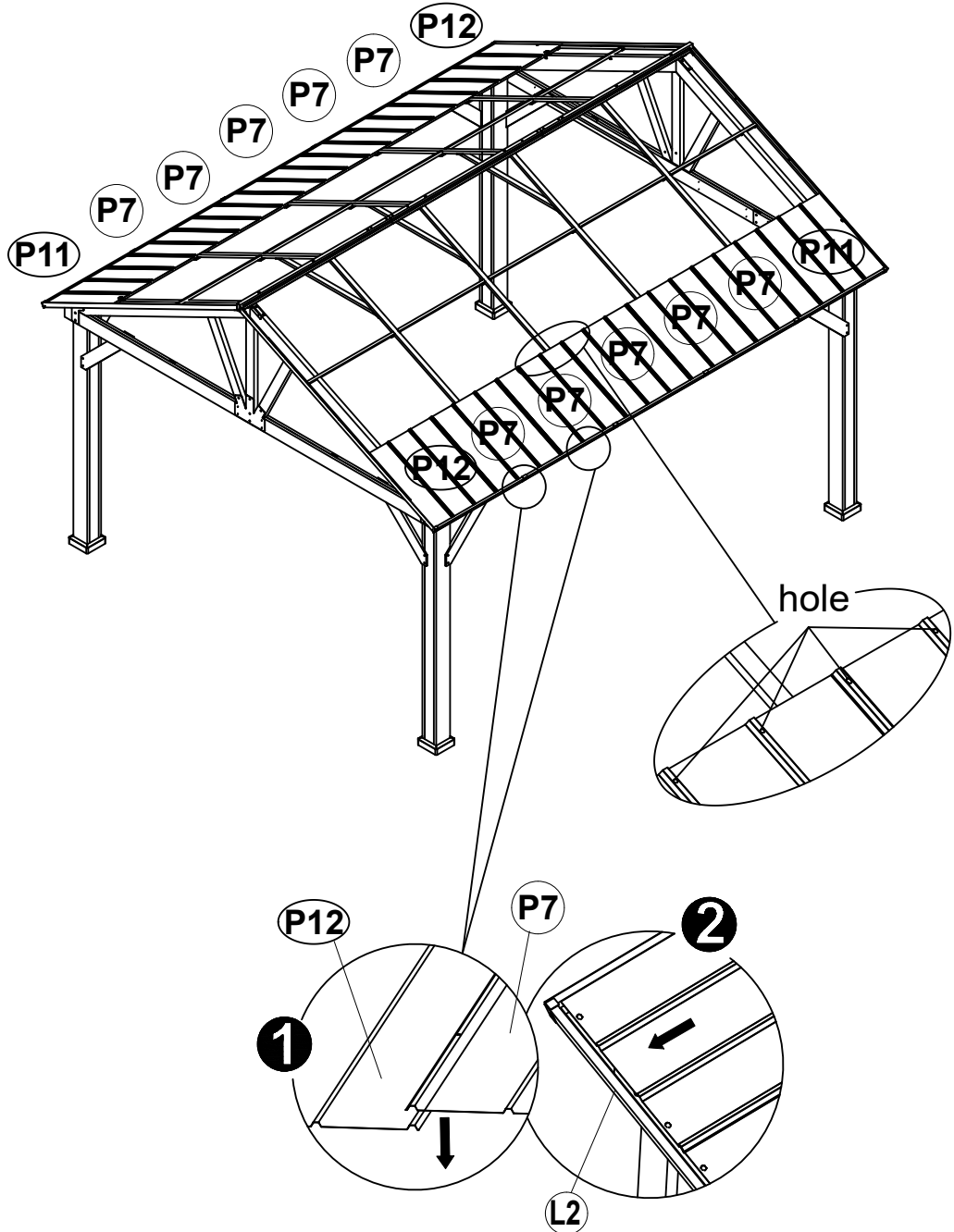
P7 10x



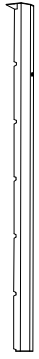
P11 2x



P12 2x



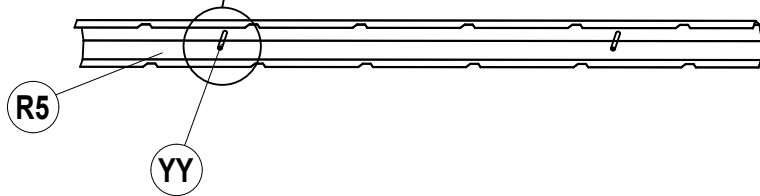
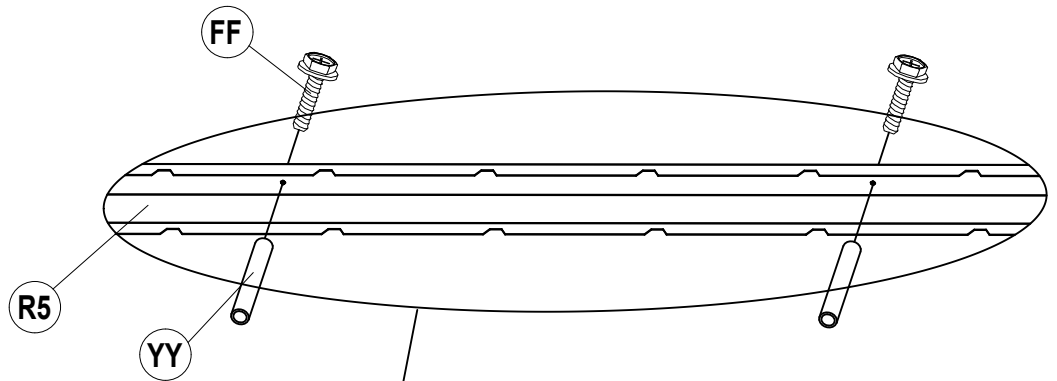
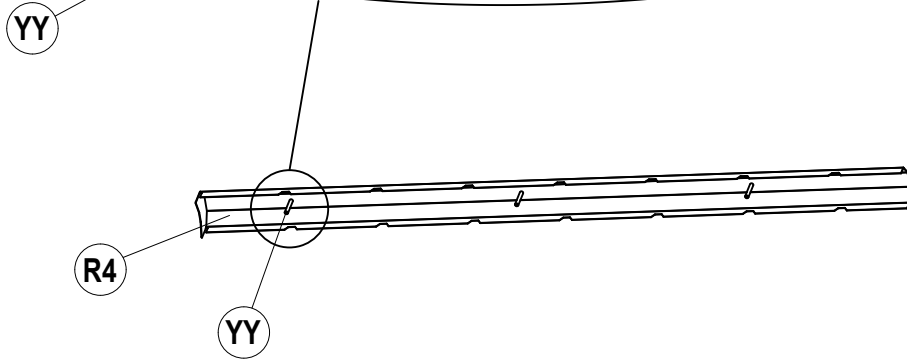
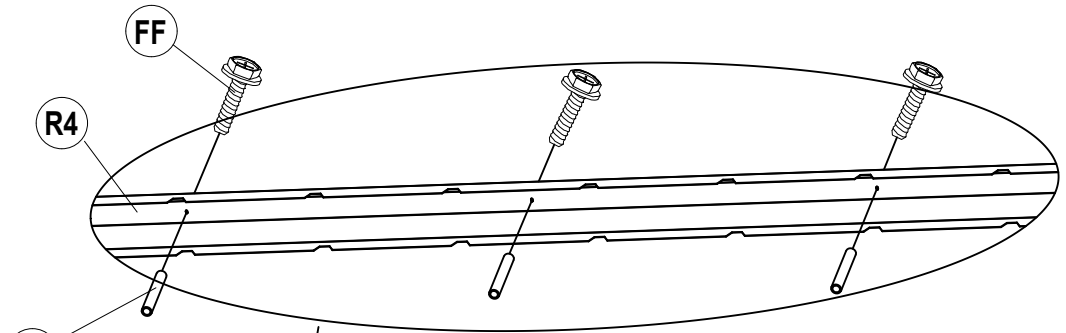
<20>



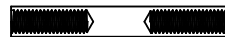
R4 2x



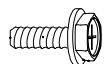
R5 1x



27



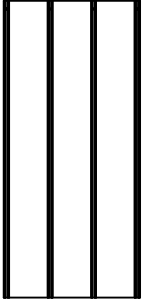
YY 8x



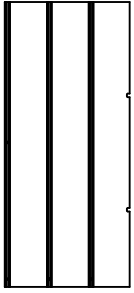
FF 8x

M6*15

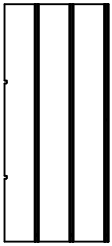
<21>



P15 4x



P13 1x



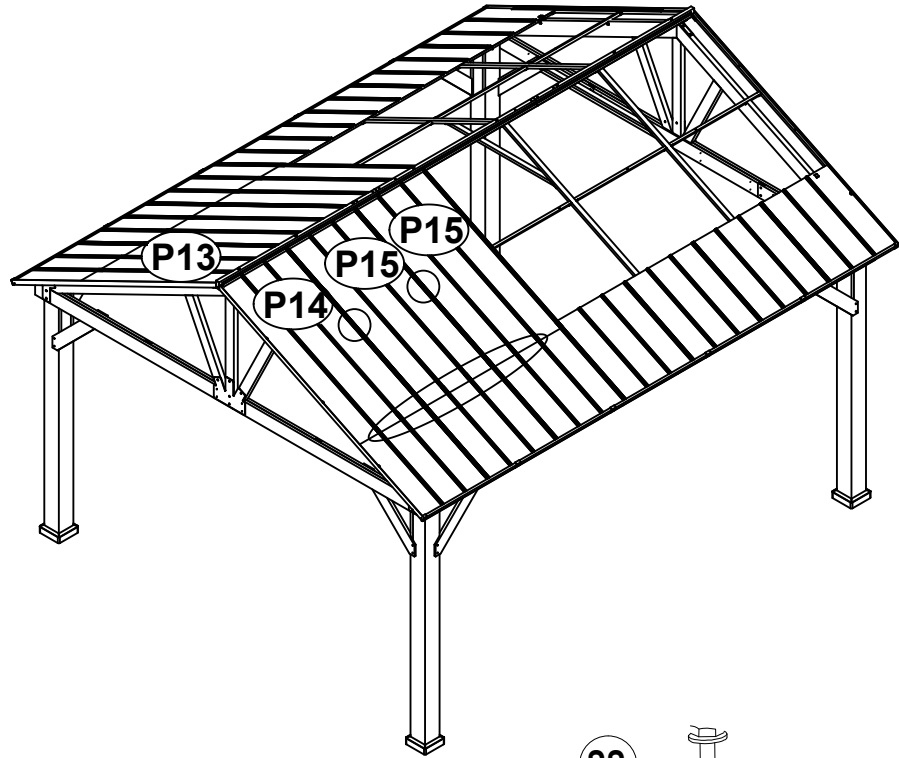
P14 1x



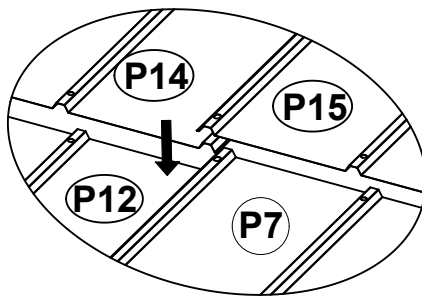
A 20x



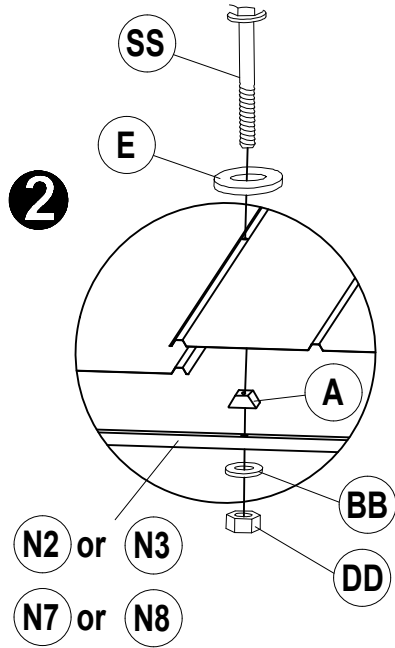
E 20x



1



2



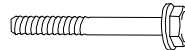
28



DD 20x M6

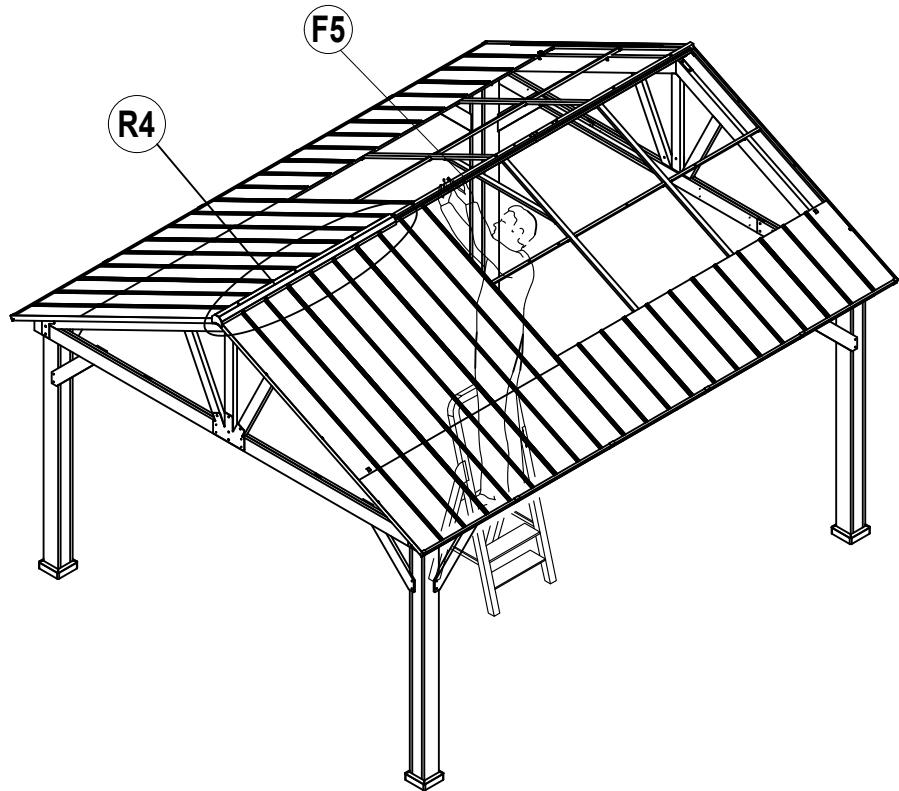
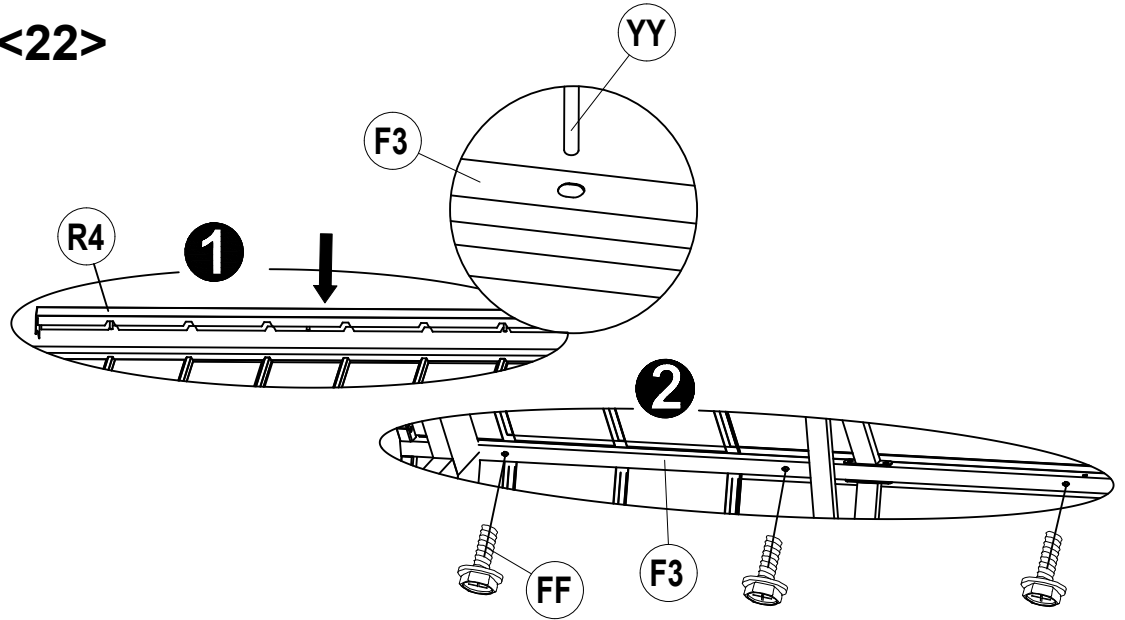


BB 20x M6

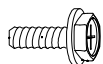


SS 20x M6*45

<22>



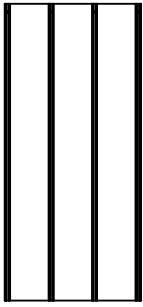
If the hole position of the top cover #R4 does not match that of the cover plate #P15, you can appropriately lift the top crossbeam #F5 upwards.
Please loosen the screws of part #D before your lift.



29

FF 3x

M6*15



P15 4x

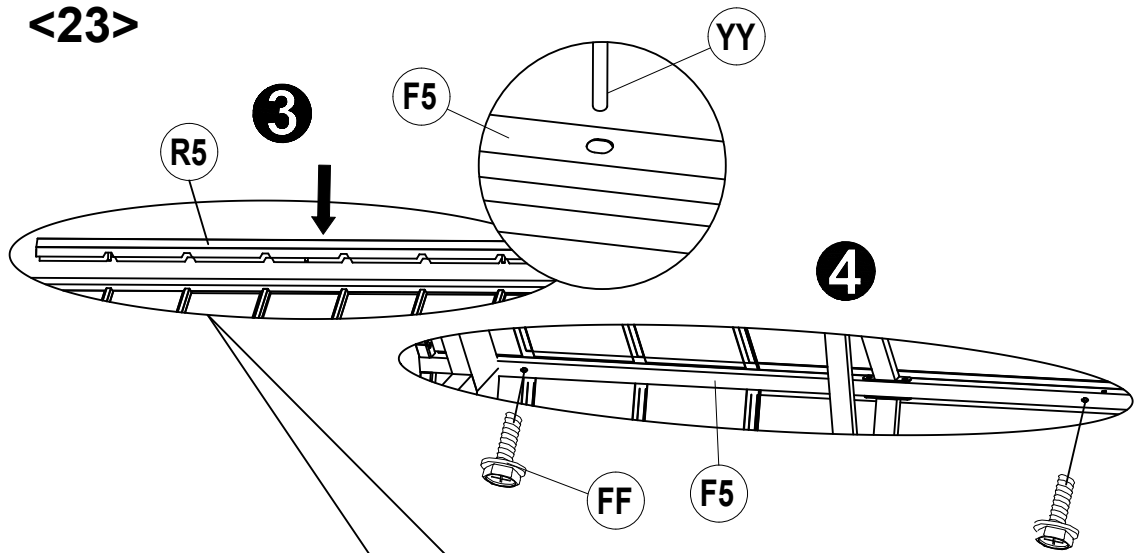


A 16x



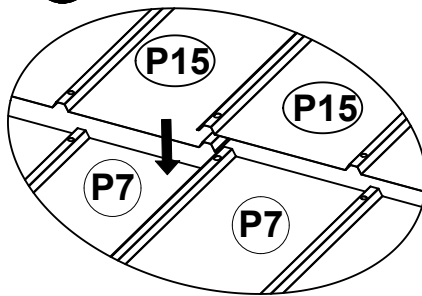
E 16x

<23>

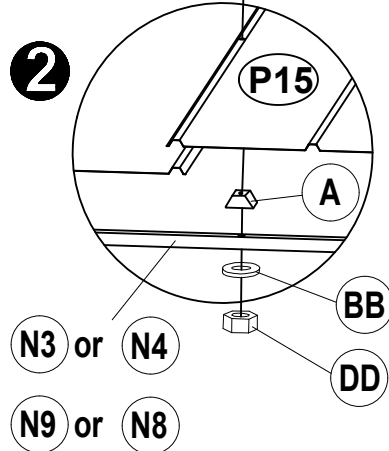


If the hole position of the top cover #R5 does not match that of the cover plate #P15, you can appropriately lift the top crossbeam #F5 upwards. Please loosen the screws of part #D before your lift.

1



2



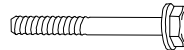
30



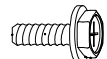
DD 16x M6



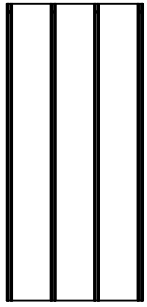
BB 16x M6



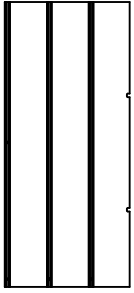
SS 16x M6*45



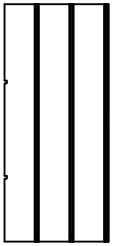
FF 2x M6*15



P15 2x



P13 1x



P14 1x

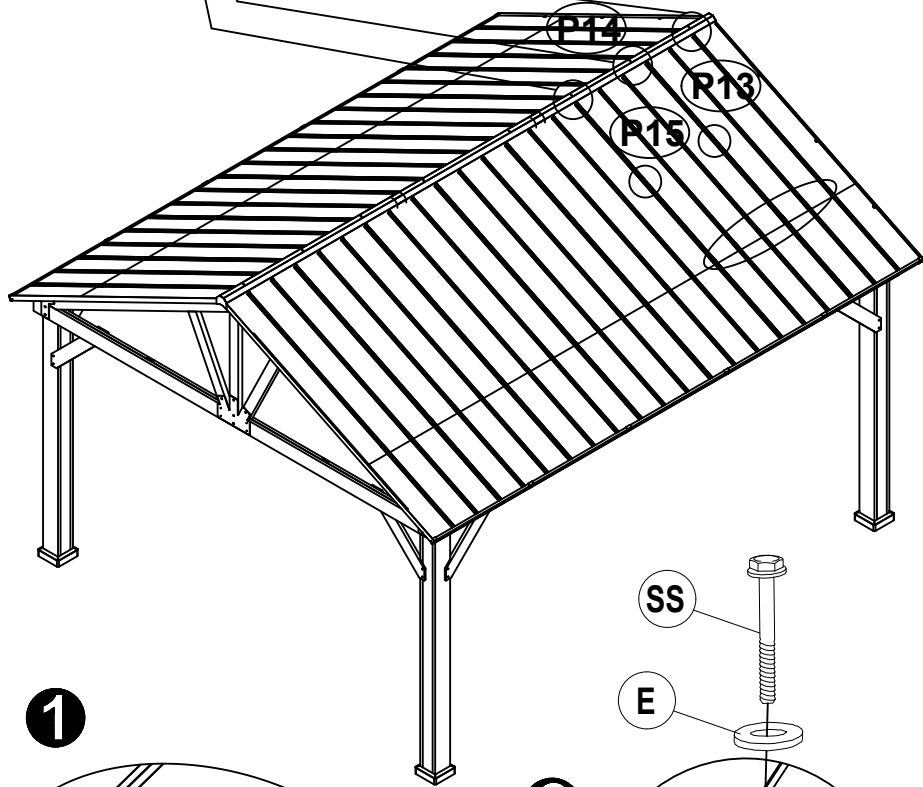
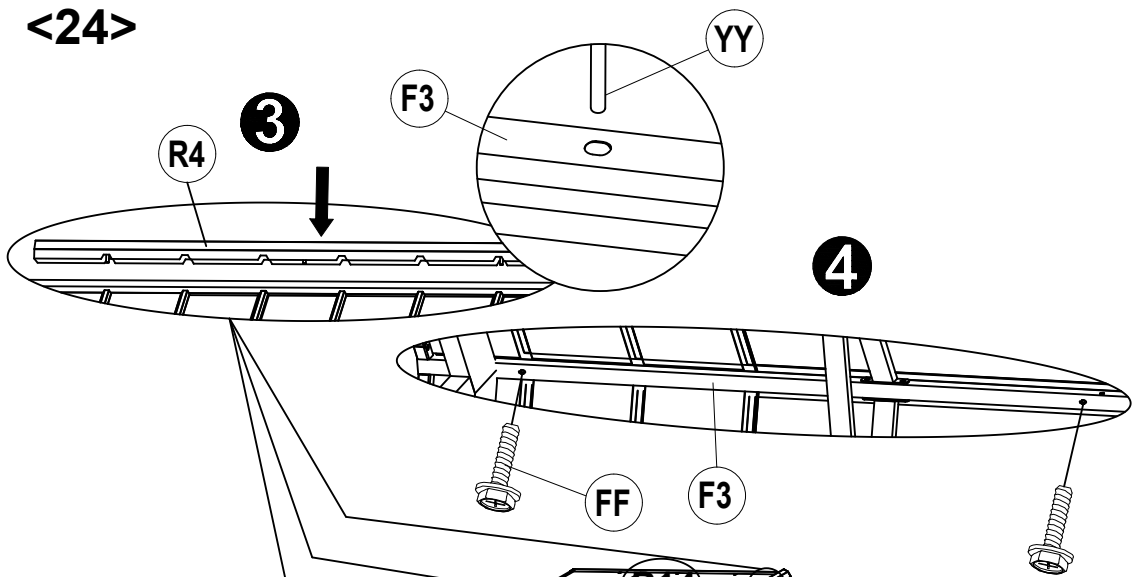


A 16x

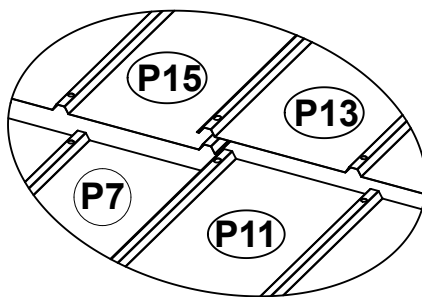


E 16x

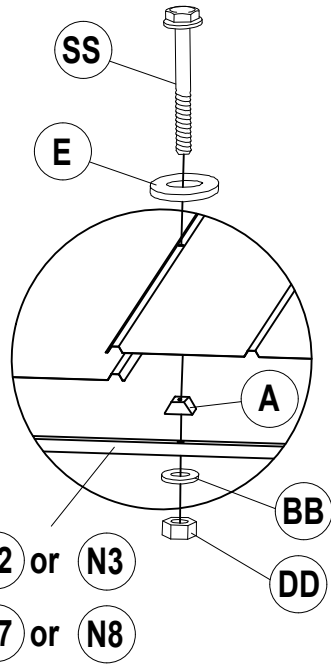
<24>



1



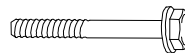
2



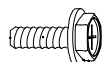
DD 16x M6



BB 16x M6



SS 16x M6*45



FF 3x M6*15

31

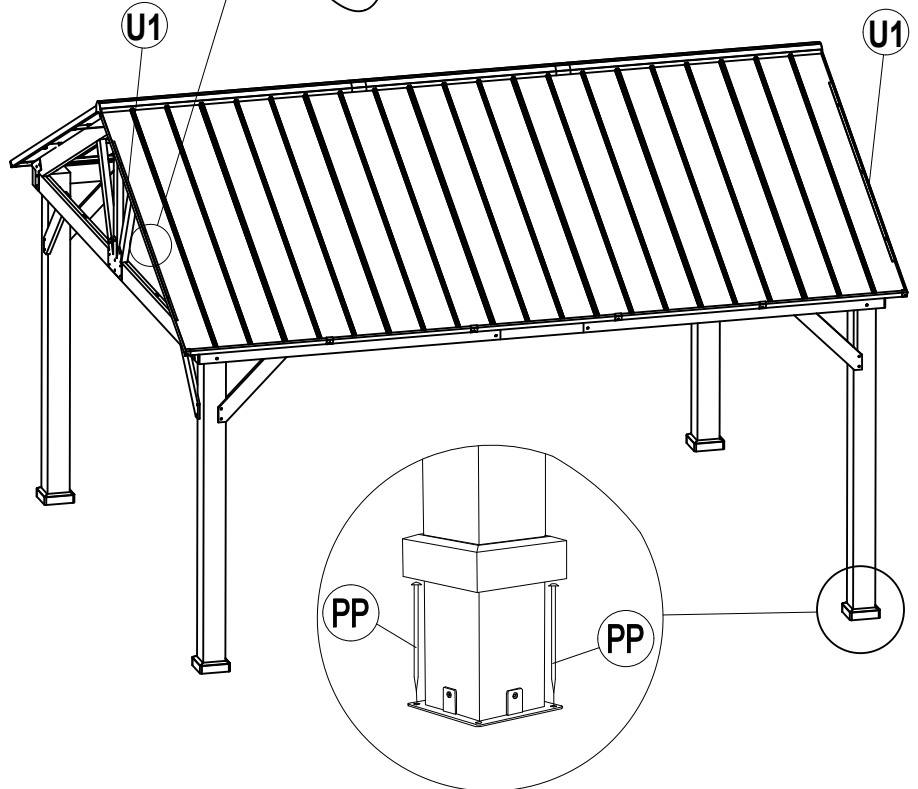
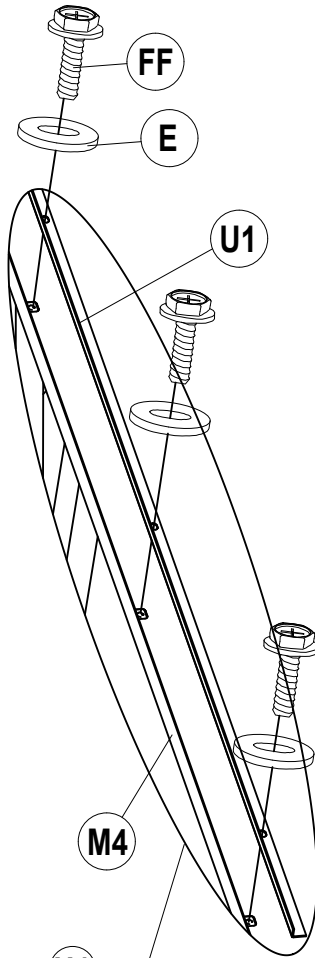
<25>



U1 4x



E 12x

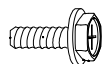


32



Φ8*180

PP 8x



M6*15

FF 12x