

# Assembly Instructions

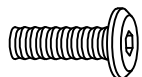
1060042

1060043

## Hardware



Ⓐ M4X1



Ⓑ M6X20X4



Ⓒ Ø17XØ6X1.5X4

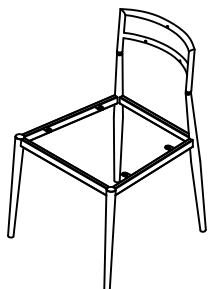


Ⓓ M3X1

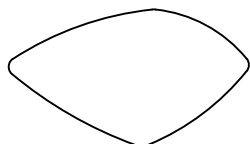


Ⓔ M5X12X4

## Parts



① X 1

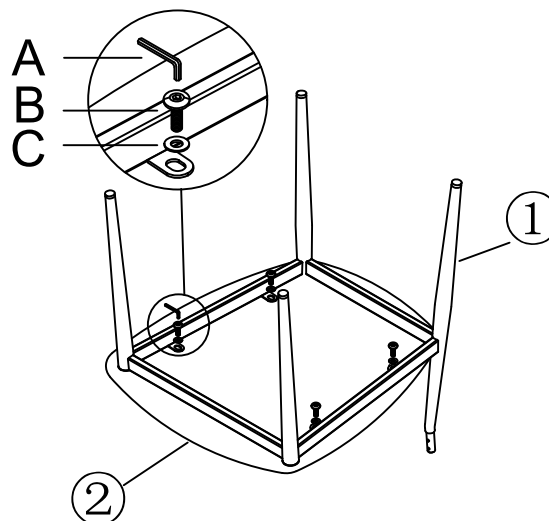


② X 1

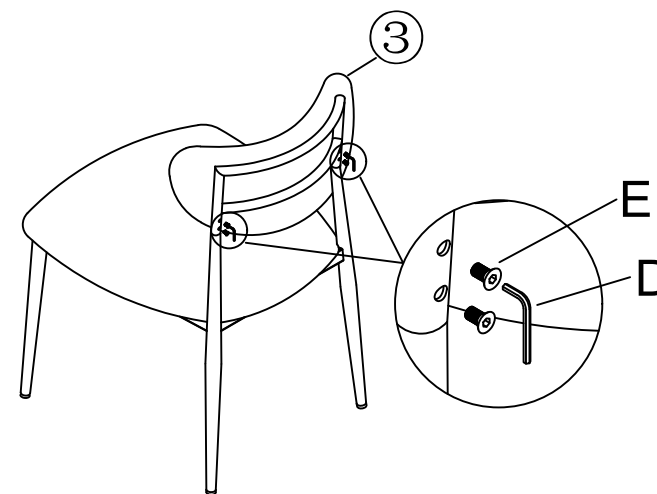


③ X 1

1



2



3

