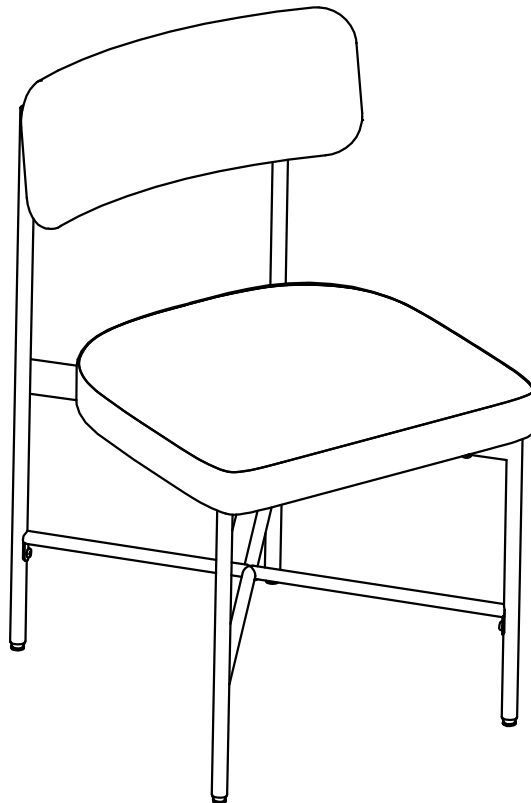




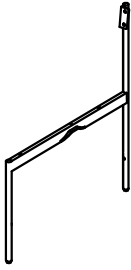
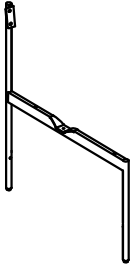
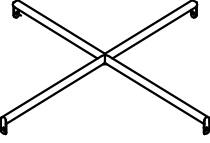

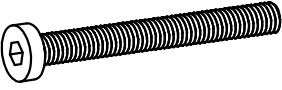

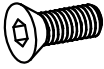


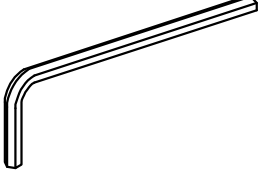

Assembly Manual

Dining Chair



 **CAUTION**

THIS ASSEMBLY MANUAL CONTAINS IMPORTANT SAFETY INFORMATION.
PLEASE READ AND KEEP FOR FUTURE REFERENCE.

<p>Ax1</p> 	<p>Bx1</p> 	<p>Cx1</p> 	<p>Dx1</p> 
<p>Ex1</p> 	<p>Fx1</p>  <p>M6 x 40mm</p>	<p>Gx4</p>  <p>M6 x 55mm</p>	<p>Hx4</p>  <p>M6 x 10mm</p>
<p>Ix4</p>  <p>M6 x 16mm</p>	<p>Jx5</p>  <p>M6</p>	<p>Kx5</p>  <p>M6</p>	<p>Lx1</p>  <p>4#</p>
<p>Mx4</p>  <p>Ø15mm</p>			

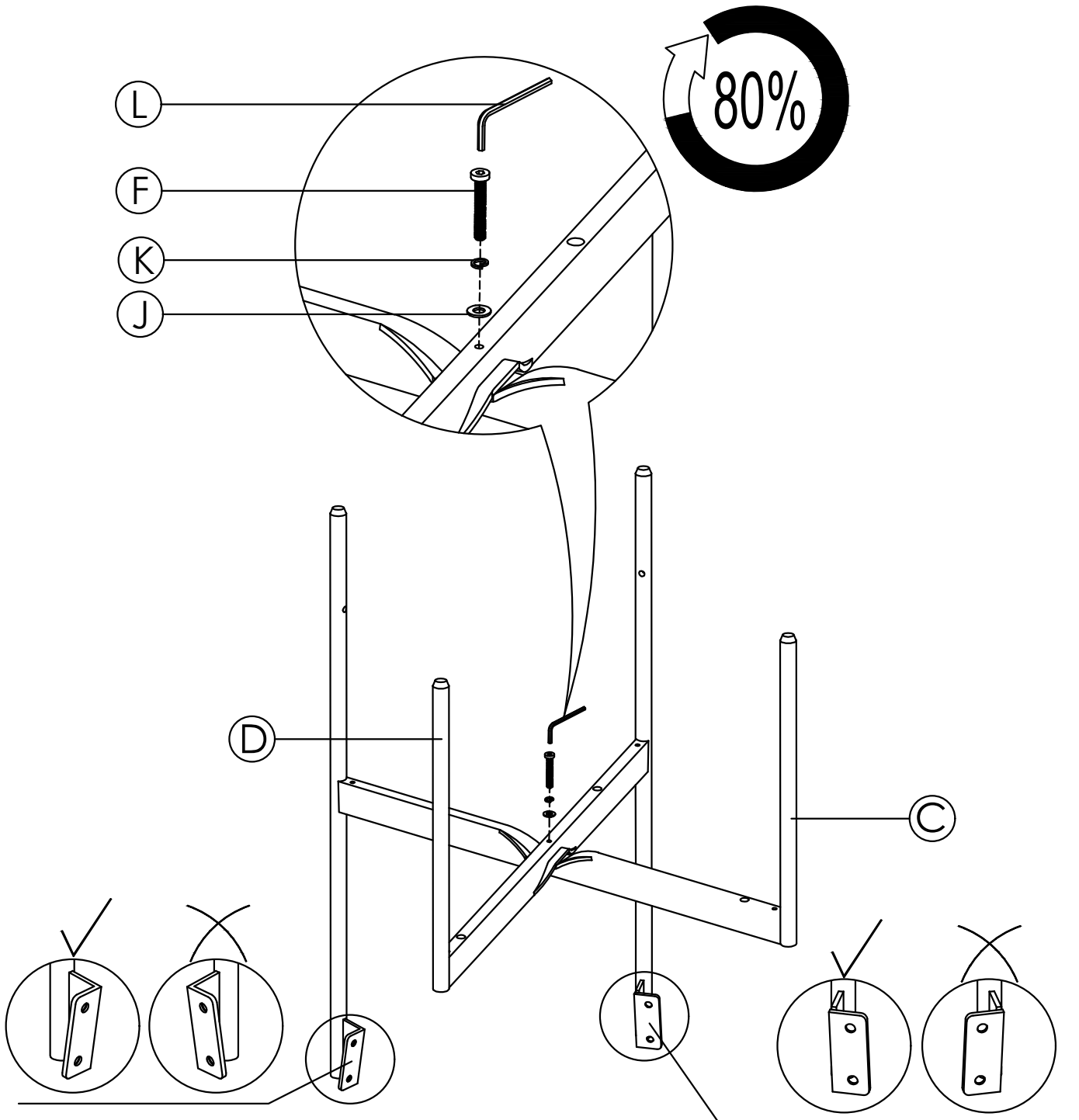
Please read through the instructions below to familiarize yourself with the parts and steps before assembly.

Note: Do NOT use power tools for assembly.

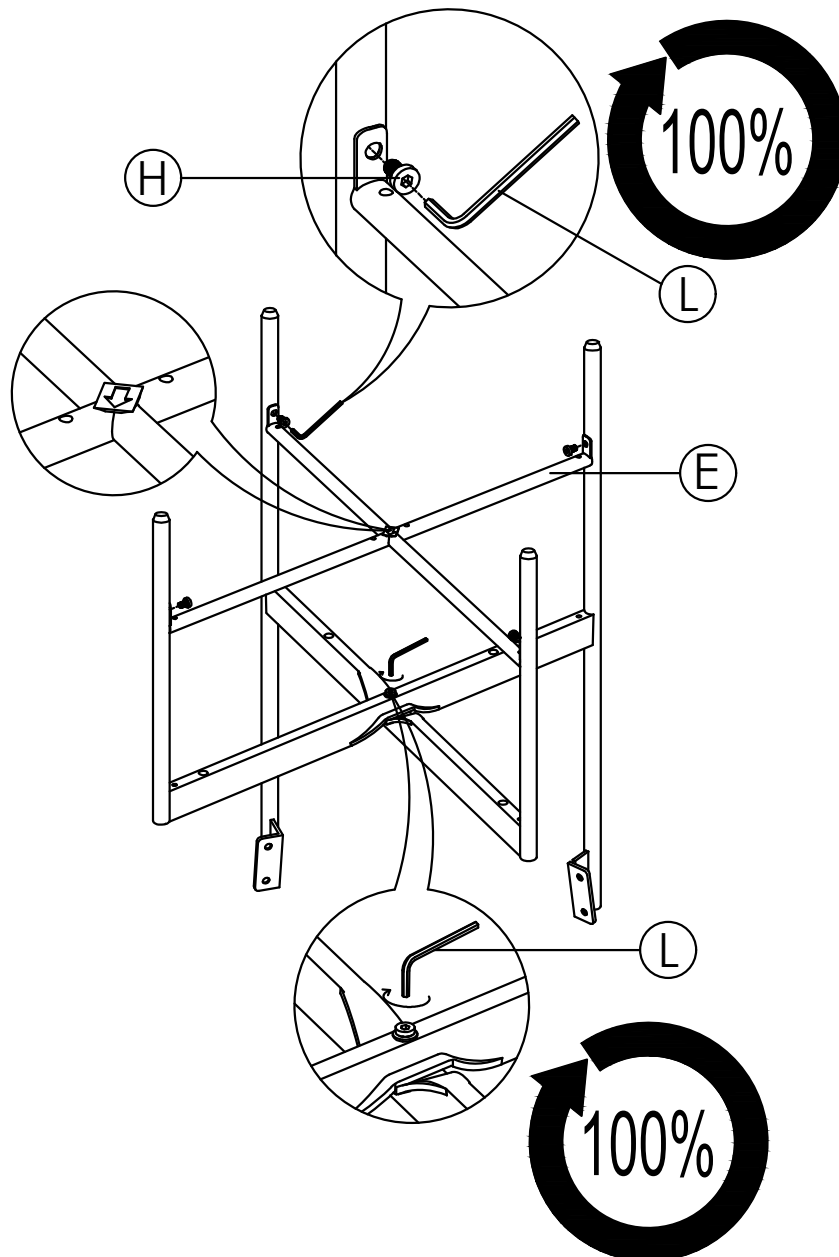
ASSEMBLY INSTRUCTIONS

- 1 Attach leg (C) to leg (D), using bolt (F), lock washer (K), flat washer (J) and allen wrench (L). Do NOT fully tighten yet.

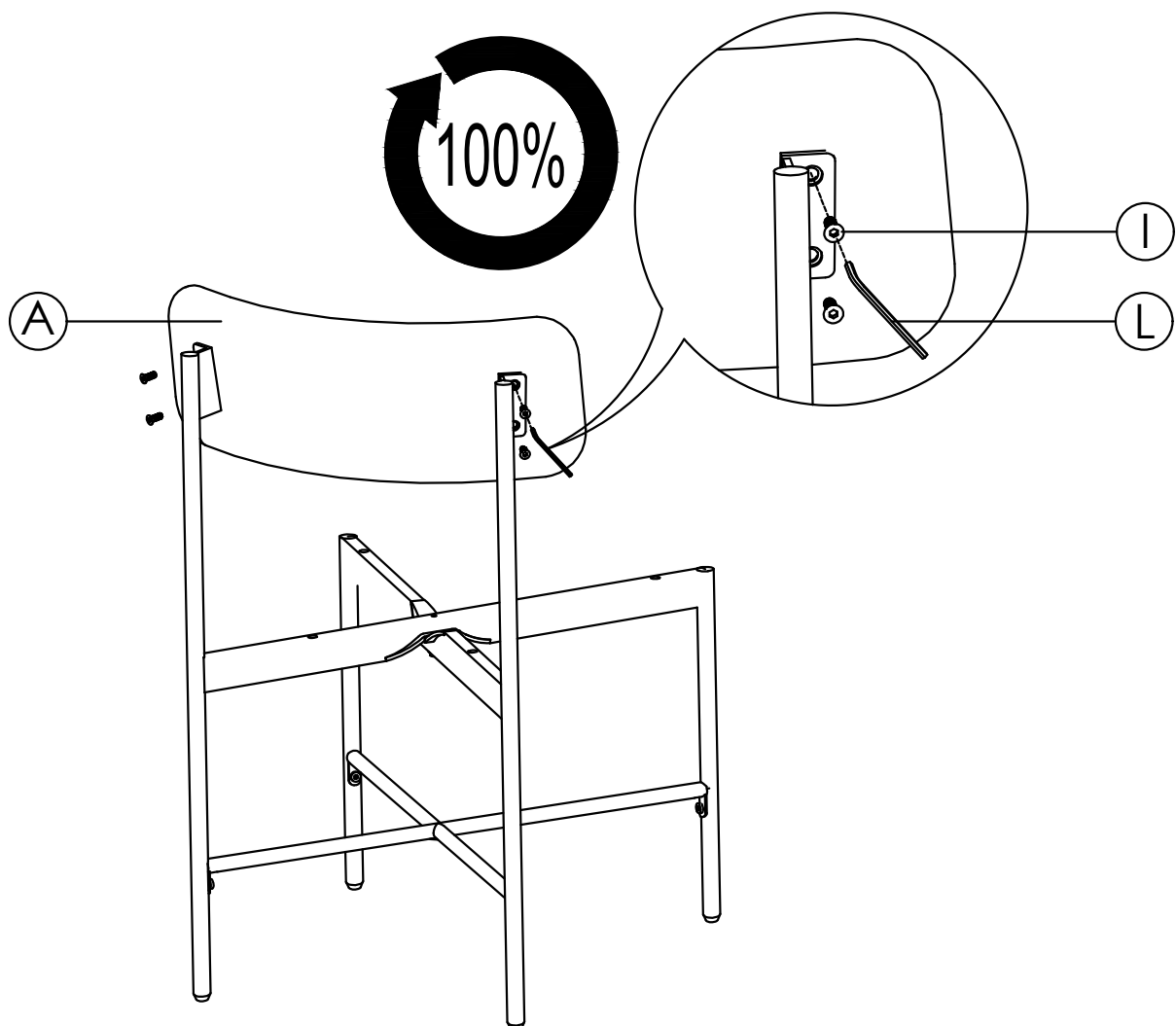
Note: The directions of metal clips should be the same as indicated below.



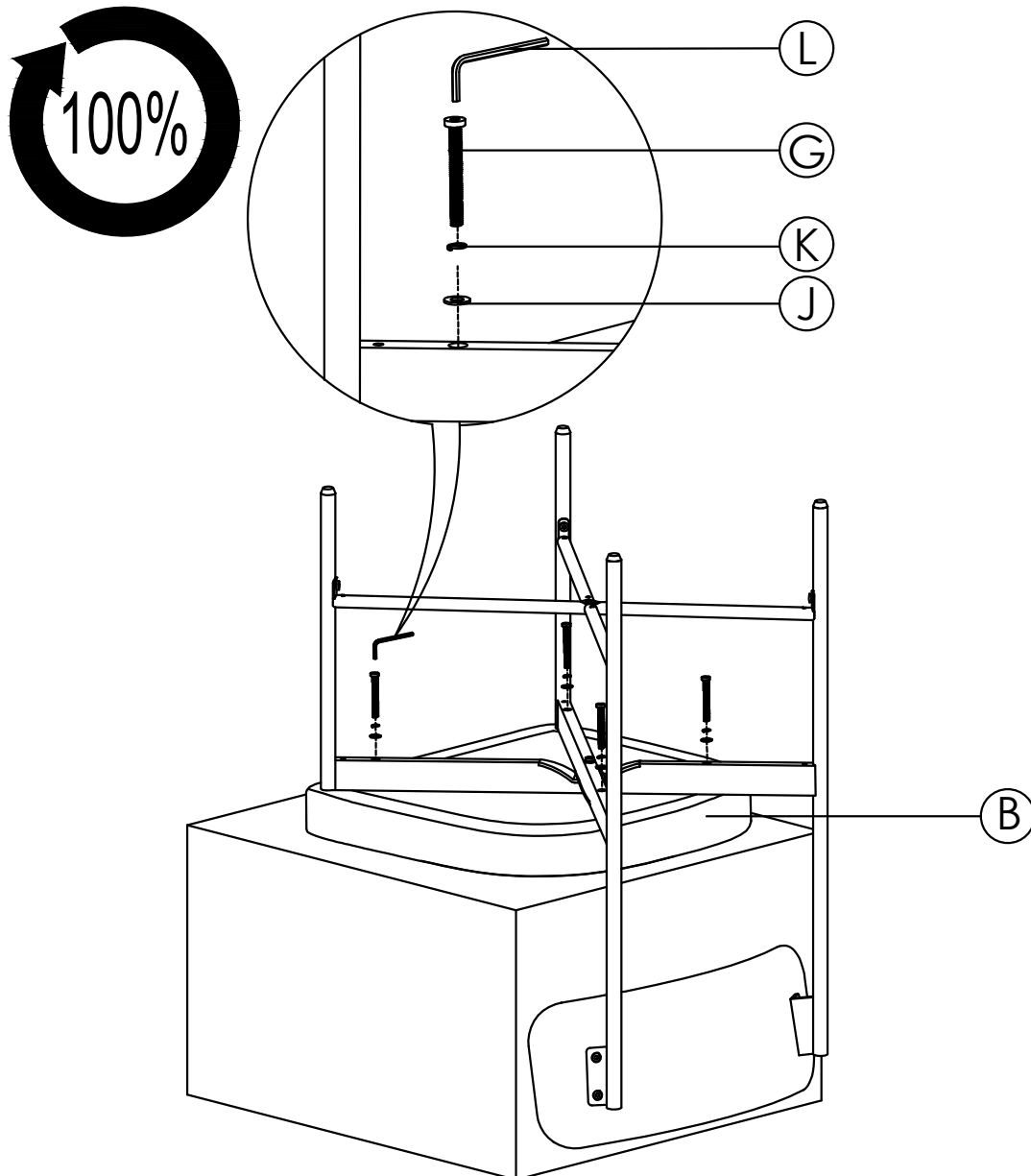
- 2** Attach X-shaped frame (E) to assembled legs in step 1, using bolts (H) and allen wrench (L). **Note: The arrow should face the front side of the chair.** Loosely attach bolts (H) one by one. After all 4 bolts are attached, fully tighten all bolts. Then, fully tighten bolt (F) in step 1.



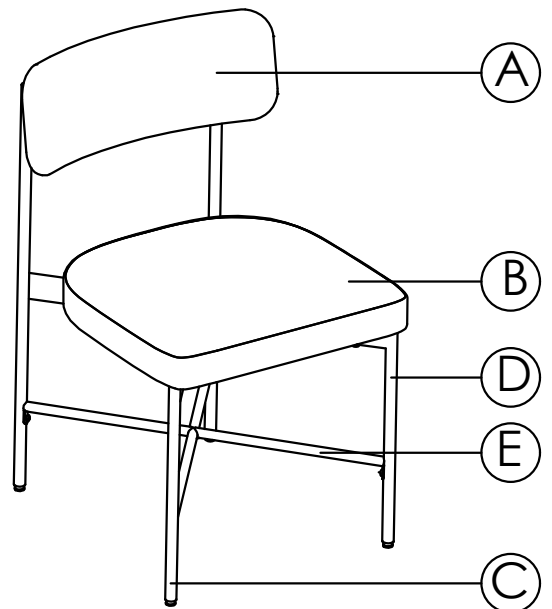
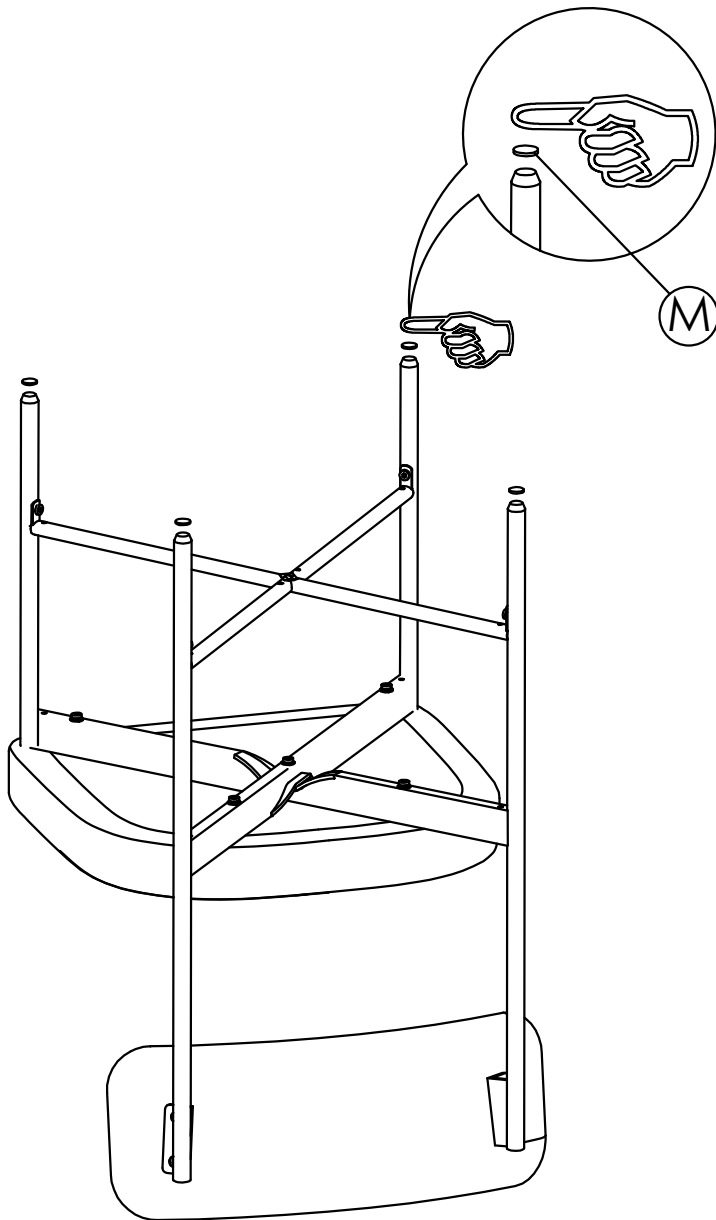
-
- 3** Attach backrest (A) to assembled chair frame in step 2, using bolts (I) and allen wrench (L). **Tighten all bolts.**



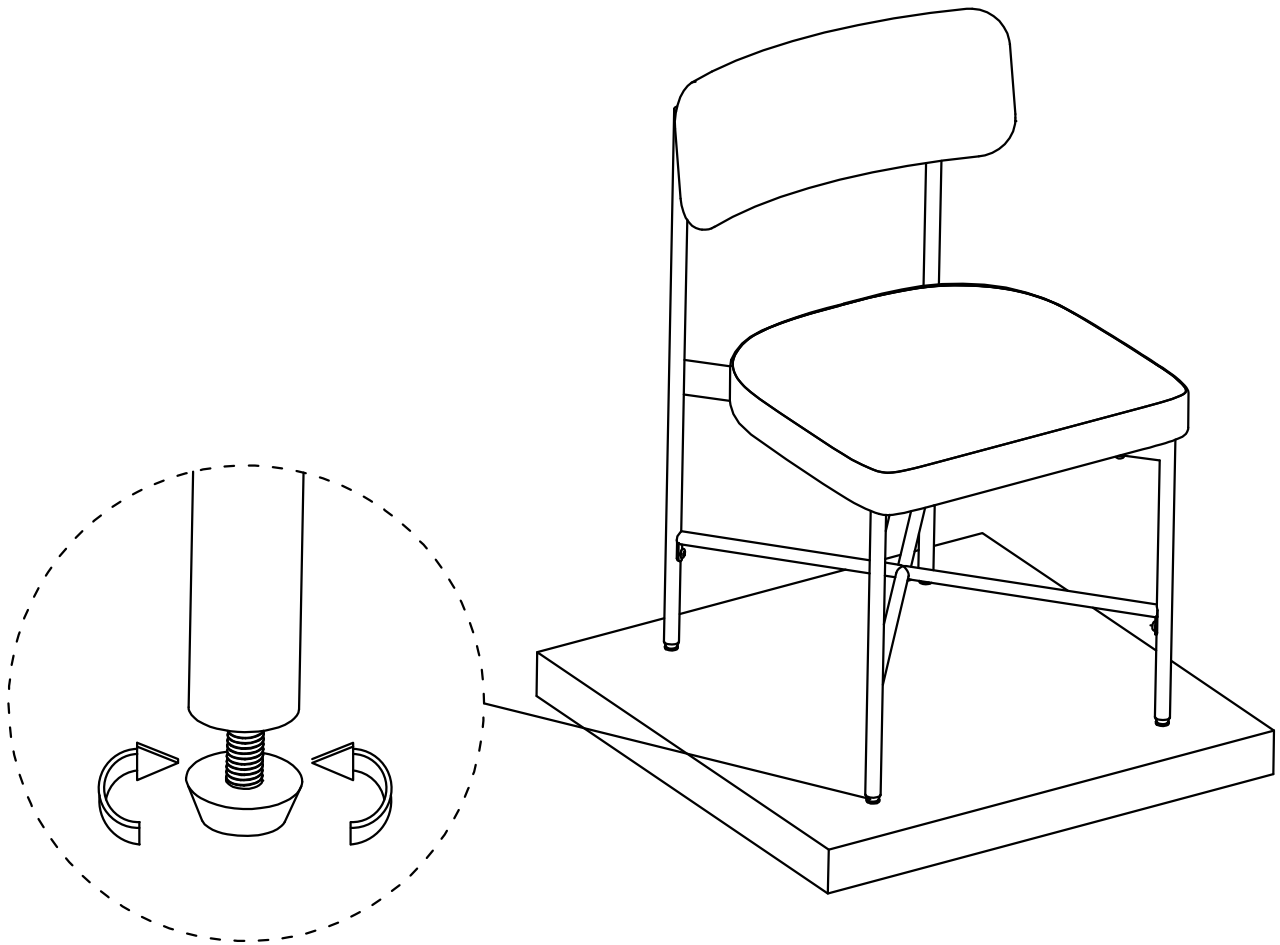
-
- 4 Attach assembled chair frame in step 3 to seat (B), using bolts (G), lock washers (K), flat washers (J) and allen wrench (L). **Tighten all bolts.**



-
- 5** Complimentary felt pads (M) are included to help protect your floor or make the chair slide easier.



- 6** Turn assembled chair upright and place on a flat surface.
Note: Each leg has an adjustable foot leveler to help level your chair.



7 Assembly complete. Enjoy.

