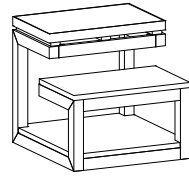


# ASSEMBLY INSTRUCTIONS



## TOOLS REQUIRED:

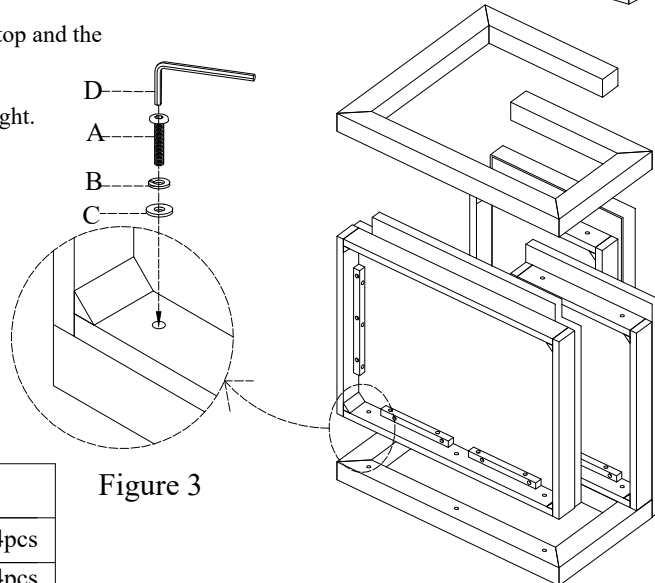
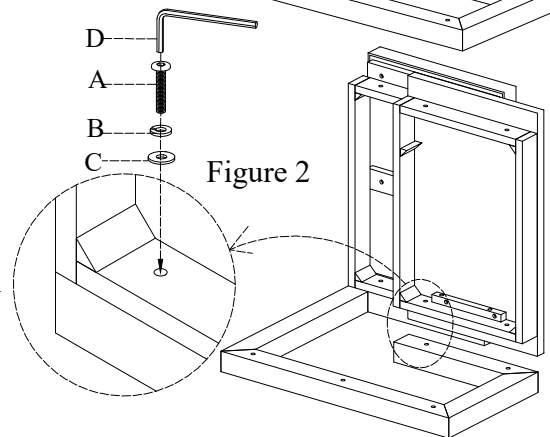
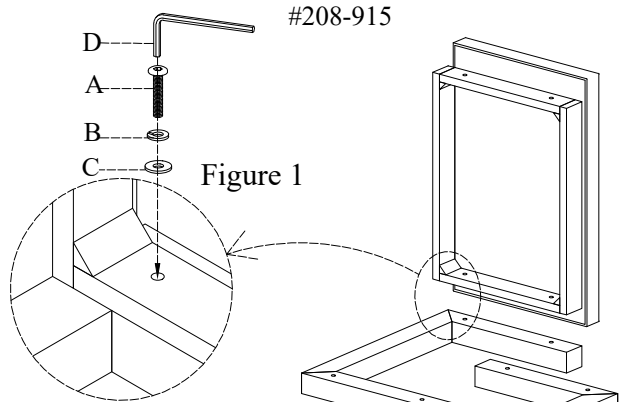
Allen Wrench (Provided, Part D)

## BEFORE YOU START:

1. Check the hardware against the hardware list to make sure all items are present.
2. Assemble your furniture on a soft, flat surface to avoid scratching the finish.
3. **CAUTION:** Do not over tighten screws, nuts or bolts during assembly.
4. Your furniture may require occasional tightening.

## INSTRUCTIONS:

1. Turn the table top on to a clean soft surface.
2. Attach the right leg frame to the table top using Bolt (A), Lock Washer (B), Flat Washer (C) and Allen Wrench (D). As Shown in Figure 1. (Do not tighten bolts).
3. Attach the middle shelf to the right leg frame using Bolt (A), Lock Washer (B) and Flat Washer (C) and tighten with the Allen Wrench (D). As Shown in Figure 2.
4. Attach the bottom shelf to the right leg frame using Bolt (A), Lock Washer (B) and Flat Washer (C) and tighten with the Allen Wrench (D). As Shown in Figure 3.
5. Repeat step 2,3,4 for the left leg frame, table top and the shelf.
6. Tighten all bolts before setting table back upright.



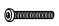



HARDWARE LIST			
A		Bolt (Ø1/4"*1-1/2")	14pcs
B		Lock Washer (Ø1/4")	14pcs
C		Flat Washer (Ø1/4"*3/4")	14pcs
D		Allen Wrench (4mm)	1pc

Figure 3