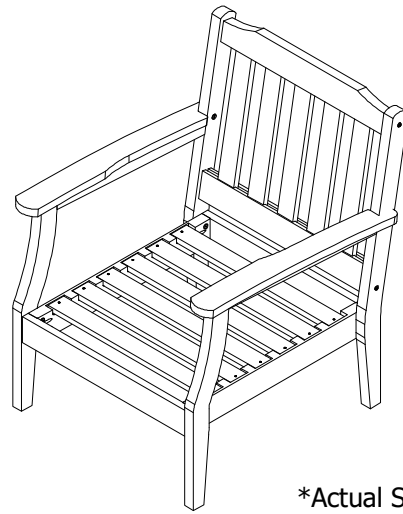


Deep Seating Chair

Assembly Guide

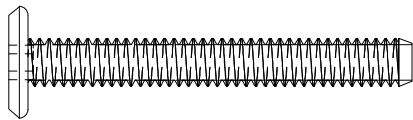


*Actual Style May Vary from the One Pictured in this Guide

DSL01

HARDWARE INCLUDED

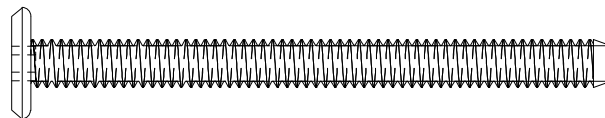
A



(1/4-20 x 2")

Qty: 10

B



(1/4-20 x 3")

Qty: 2

TOOLS INCLUDED

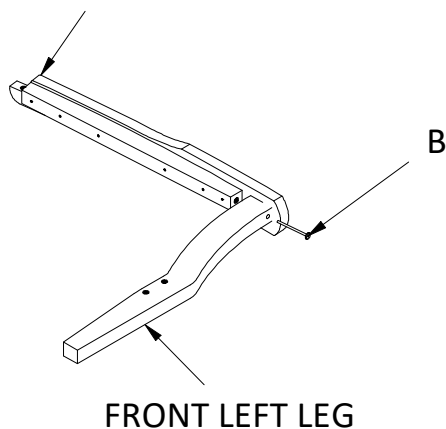


5/32" HEX KEY

IMPORTANT!

DO NOT fully tighten bolts until all bolts are started.

LEFT ARM ASSEMBLY



STEP 1

Attach the Front Left Leg to the Left Leg Assembly using (1) B bolt.

STEP 2

Repeat Step 1 for attaching the Front Right Leg & Right Arm Assembly.

STEP 3

Lay the Front Left Leg Assembly on its side and line the Back & Seat Assembly up as shown. Using (5) A Bolts attach the Back and Seat Assembly to the Front Left Leg Assembly.

STEP 4

Repeat Step 3 for attaching the Front Right Leg to the Back & Seat.

