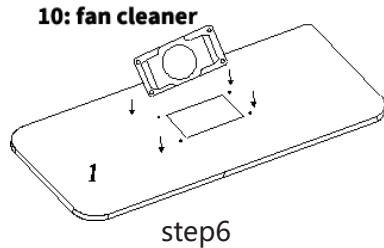
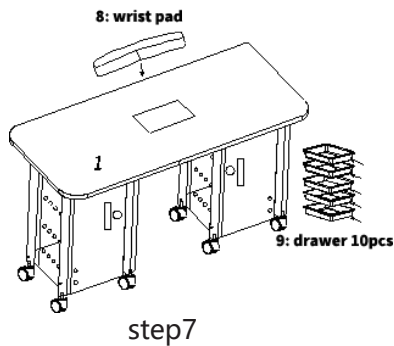


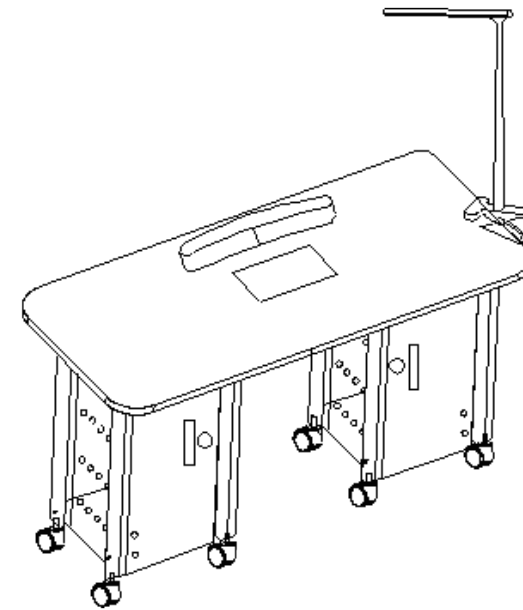
6. Place the table panel above the 2 side cabinets. Line up the holes on the plates of the cabinets with those at the bottom of the table panel. Take out the screws and washers from the bag. Attach the washers to the screws and then fix the side cabinets to the table panel by tightening the screws. (Tip: You can line up all the holes on the table panel with those on the plates and put the screws in and tighten them slightly at first. If some of the holes don't line up well, you can loosen the screws and realign the holes. After all the screws are put in and all the holes are aligned well, you can fully tighten the screws.)



7. Push the drawers into the cabinet. Place the wrist pad upon the tabletop. And clamp the LED lamp to the table. Then the manicure table is ready for use.

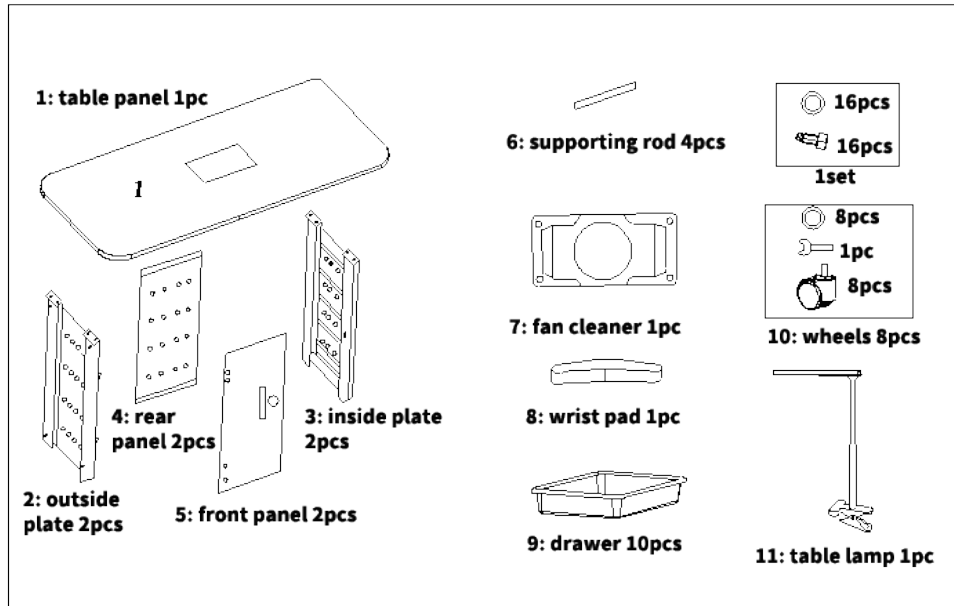


Manicure Table Instruction



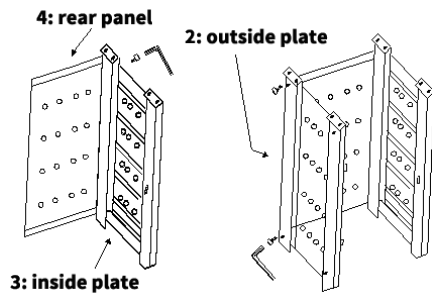
Thanks for your purchase. If you have any questions, please feel free to contact us. We will resolve all your problem ASAP. And we are glad to hear from your opinions and keep improving our product and service. For more details, please contact us by email via support@mefeir.com. (Please write your seller's Order # in the email subject so that we can locate your order and better assist you).

◆ PARTS INVENTORY:



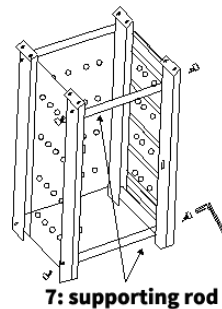
◆ ASSEMBLY ILLUSTRATION:

1. Take out the screws out of the plate with a screwdriver. Line up the holes on the plates. Put the screws in and then tighten them.



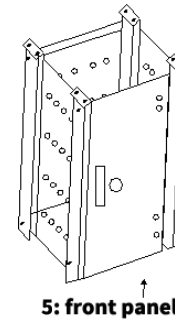
step1

2. Twist out the screws on the supporting rods with a screwdriver. Align the holes on the supporting rods to those on the plates. Put the screws in and retighten them.



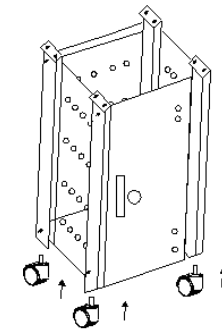
step2

3. Loosen the screws on the cabinet door. Line up the holes on the door with the holes on the plate. Put the screws in and tighten them. Then a side cabinet is done. Cabinet on the other side can be assembled by the 3 steps as well.



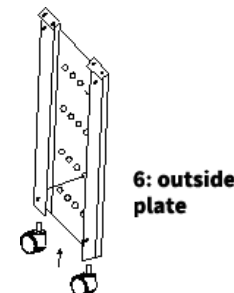
step3

4. Attach the washer to the wheel bolt. And then fasten the wheel bolt to the hinge on the plate. Put the screws in and tighten them. Then a side cabinet is done. Cabinet on the other side can be assembled by the 3 steps as well. To tighten the wheel, you can use the tiny wrench provided or your own wrench that may fit. And your hands may work as well. You can turn the wheel with your hands at first and then turn it more tightly it with the wrench. Other wheels can be installed to the cabinets in the same way.



step4

5. Put the fan cleaner into the opening on the tabletop. Align the holes on the fan cleaner to those at the bottom of the table panel. Lay the screws into the holes and secure them with a screwdriver.



step5