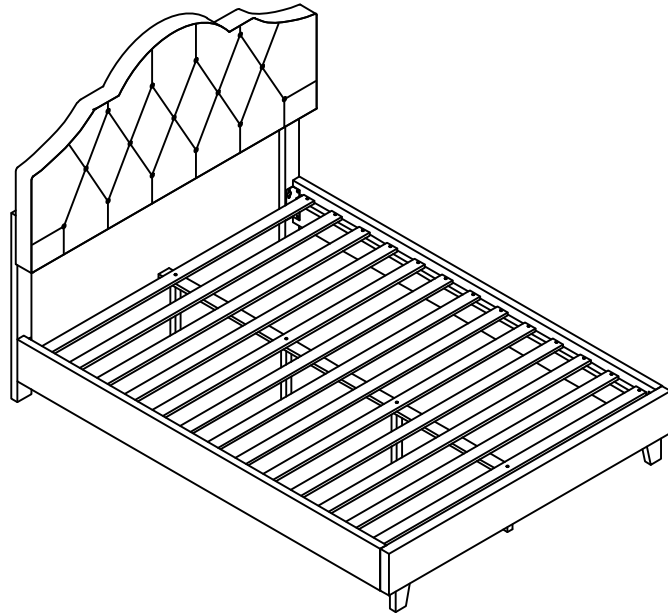
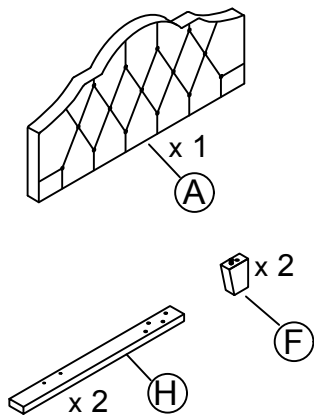


ASSEMBLY INSTRUCTION

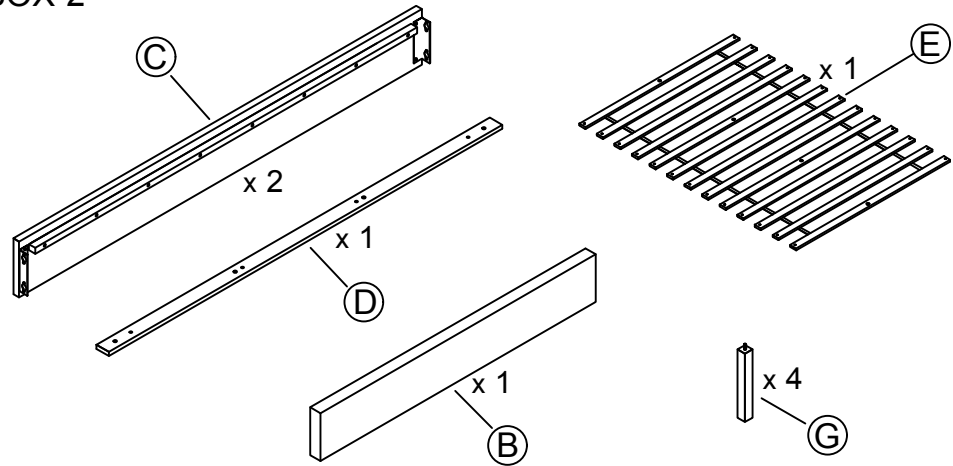


PARTS LIST

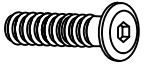


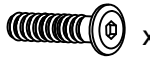




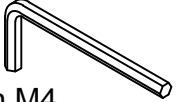
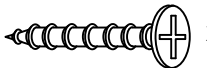
BOX-1



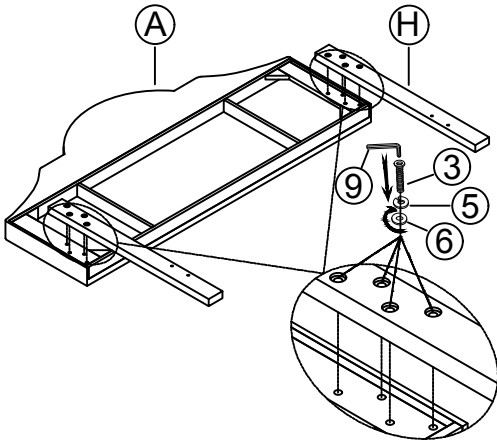
BOX-2



HARDWARE LIST

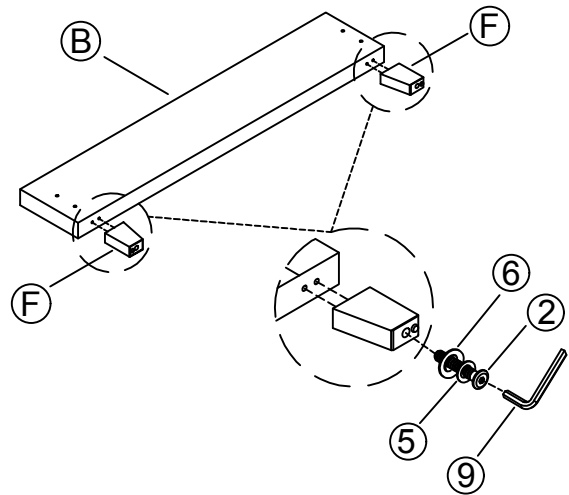
<p>①  x 8 Bolt 5/16" x 1-1/4"</p>	<p>②  x 2 Bolt 5/16" x 2-3/4"</p>	<p>③  x 8 Bolt 5/16" x 2-1/4"</p>
<p>④  x 4 Bolt 1/4" x 1-3/4"</p>	<p>⑤  x 18 Lock Washer ϕ5/16"</p>	<p>⑥  x 18 Flat Washer ϕ5/16"</p>
<p>⑦  x 4 Lock Washer ϕ1/4"</p>	<p>⑧  x 4 Flat Washer ϕ1/4"</p>	<p>⑨  x 1 Allen Wrench M4</p>
<p>⑩  x 26 Screw #4 x 1-1/4"</p>		

STEP 1

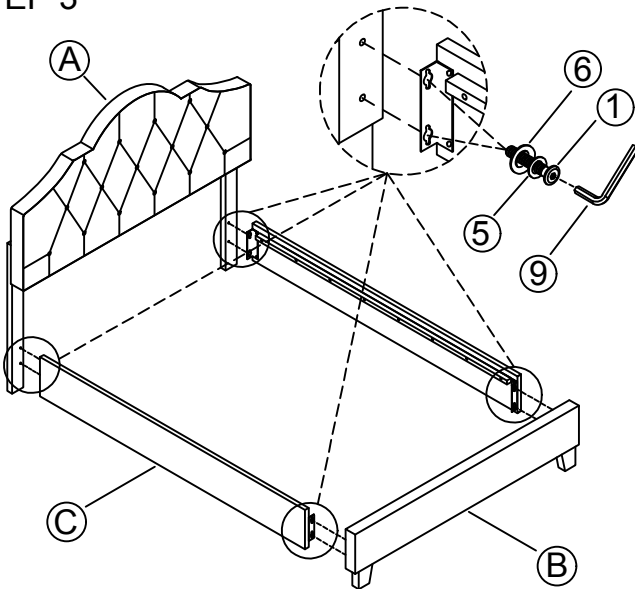


HEADBOARD ADJUSTABLE LEGS, SCREW AS LEAST 3PCS

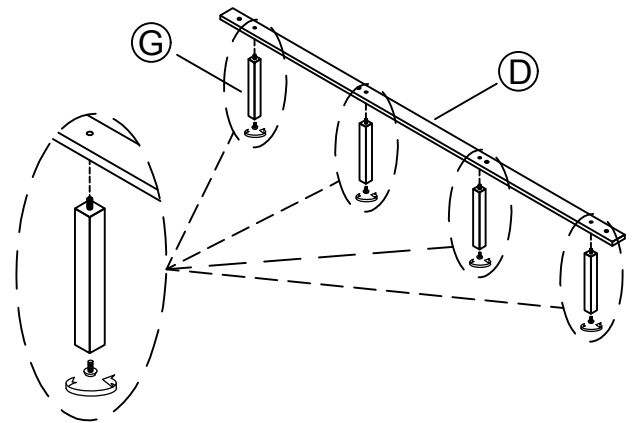
STEP 2



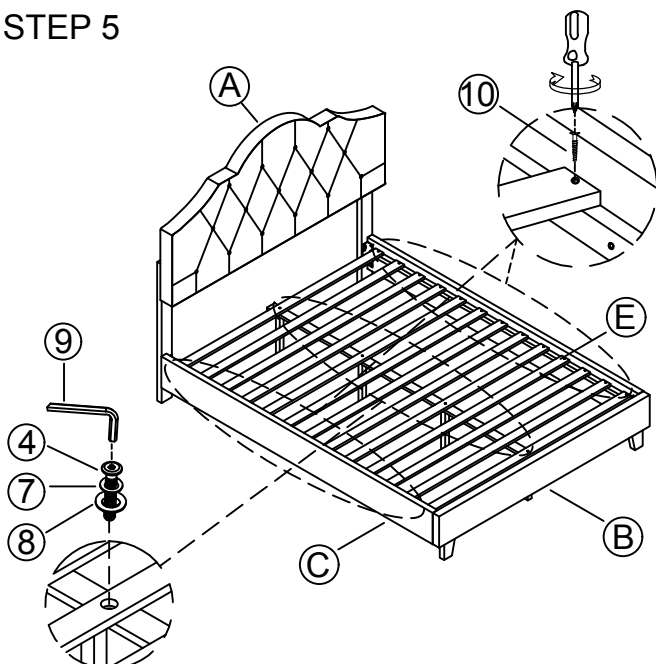
STEP 3



STEP 4



STEP 5



STEP 6

