
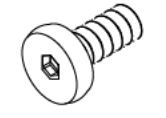
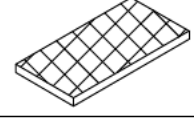


# Assembly Instruction

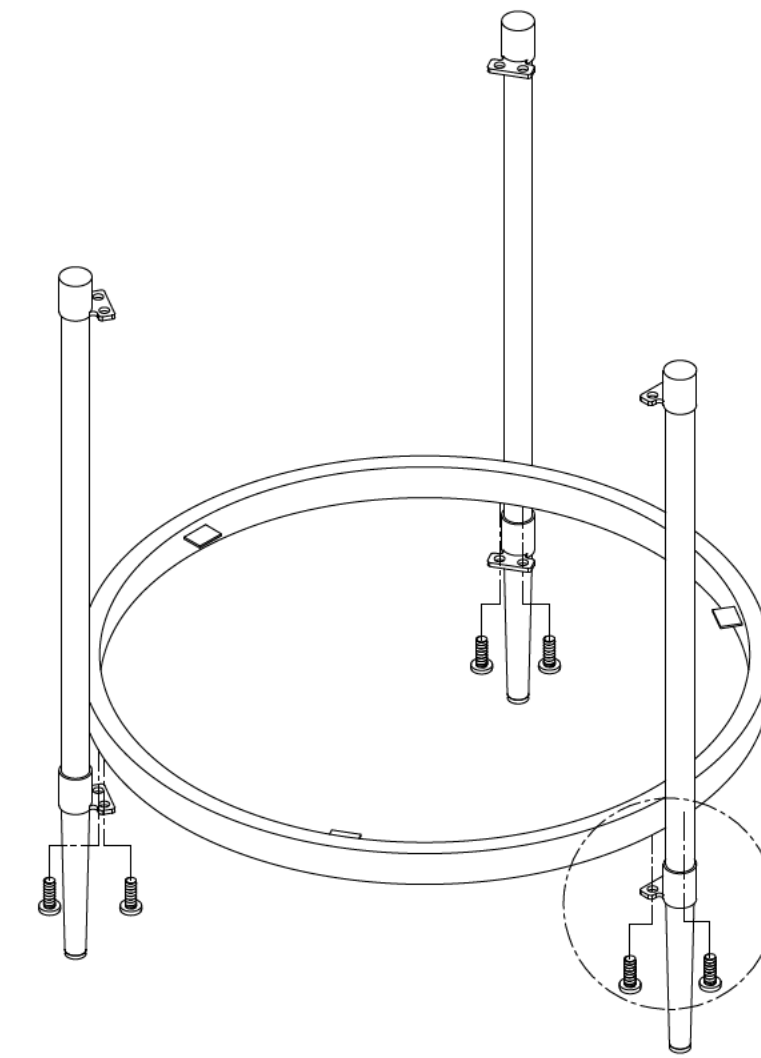
EDITION: A


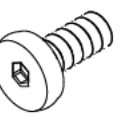
## HARDWARE LIST:

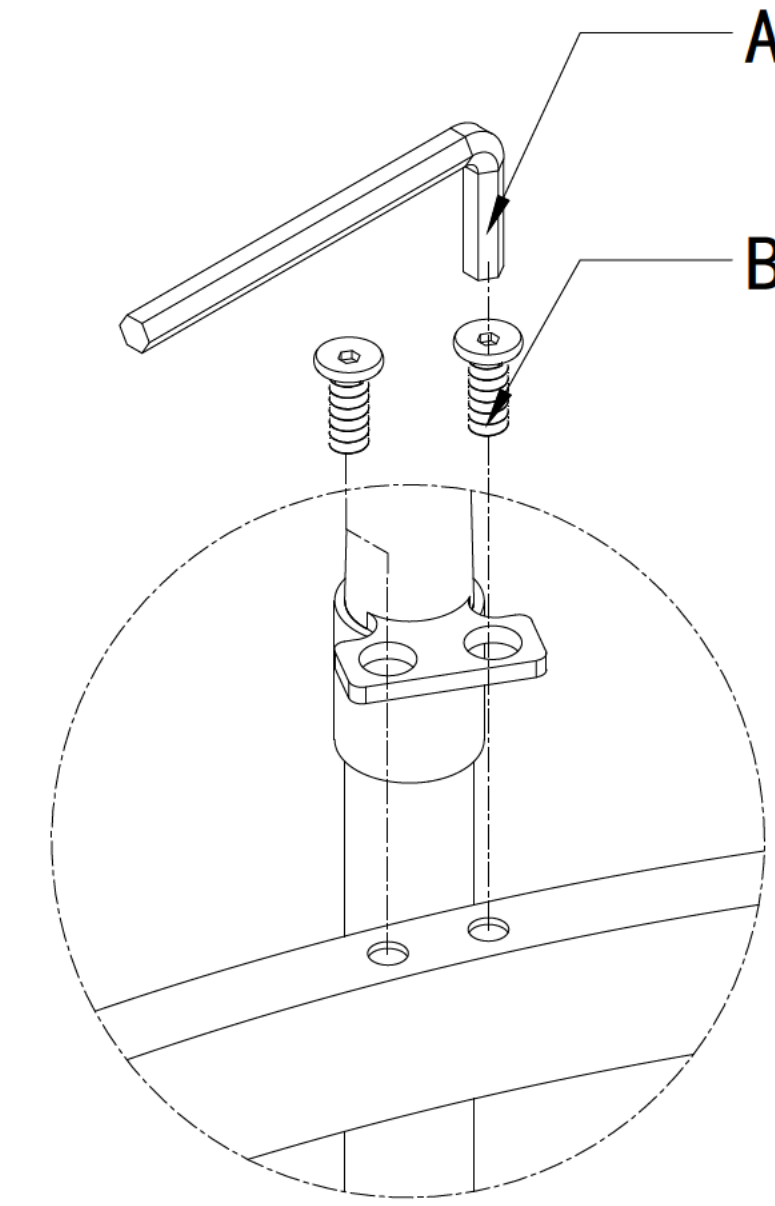
PACKAGE	NO	DESCRIPTION	PART PHOTO	QTY
2/2	A	ALLEN KEY ( $\phi 4$ )		1PC
	B	SCREW (M6*10)		12PCS
	C	STICKERS FELT (16*13*1)		6PCS

PACKAGE	DESCRIPTION	PART PHOTO	QTY

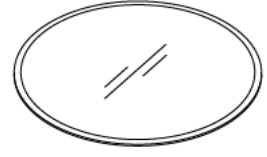
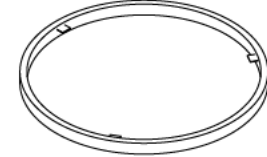
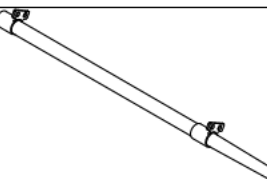

## STEP 1



A: ( $\phi 4$ )  1PCS  
 B: (M6\*10)  6PCS

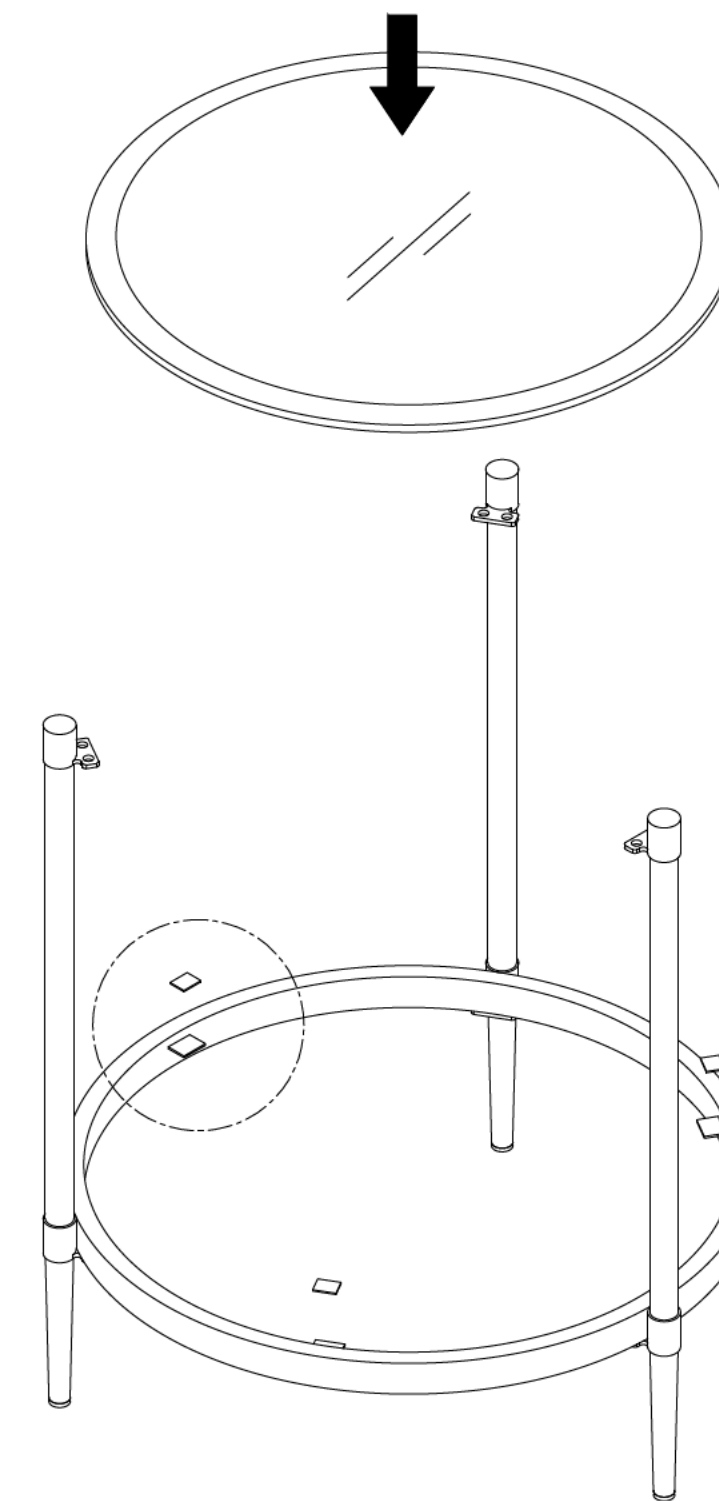


## PART LIST:

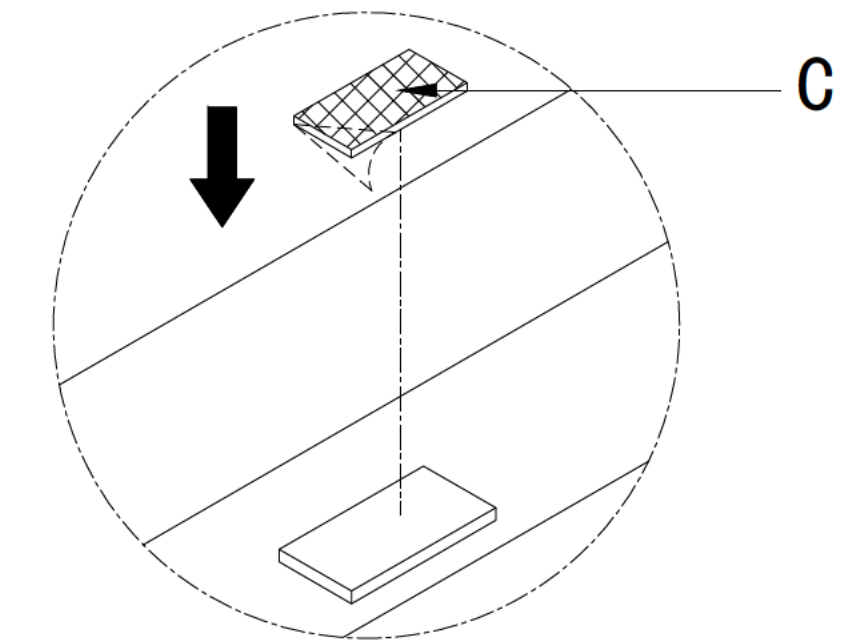
PACKAGE	DESCRIPTION	PART PHOTO	QTY
1/2	GLASS		2PCS
2/2	FRAME		2PCS
	LEG		3PCS
	HARDWARE		1PC

PACKAGE	DESCRIPTION	PART PHOTO	QTY

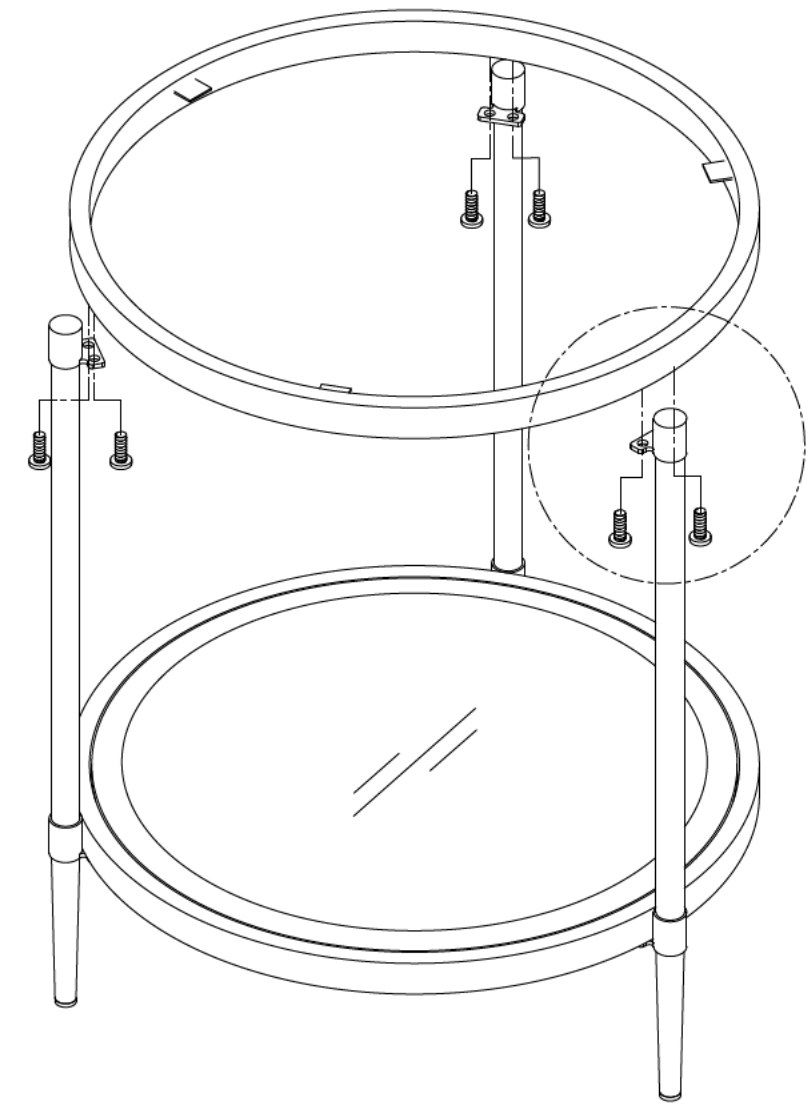
## STEP 2



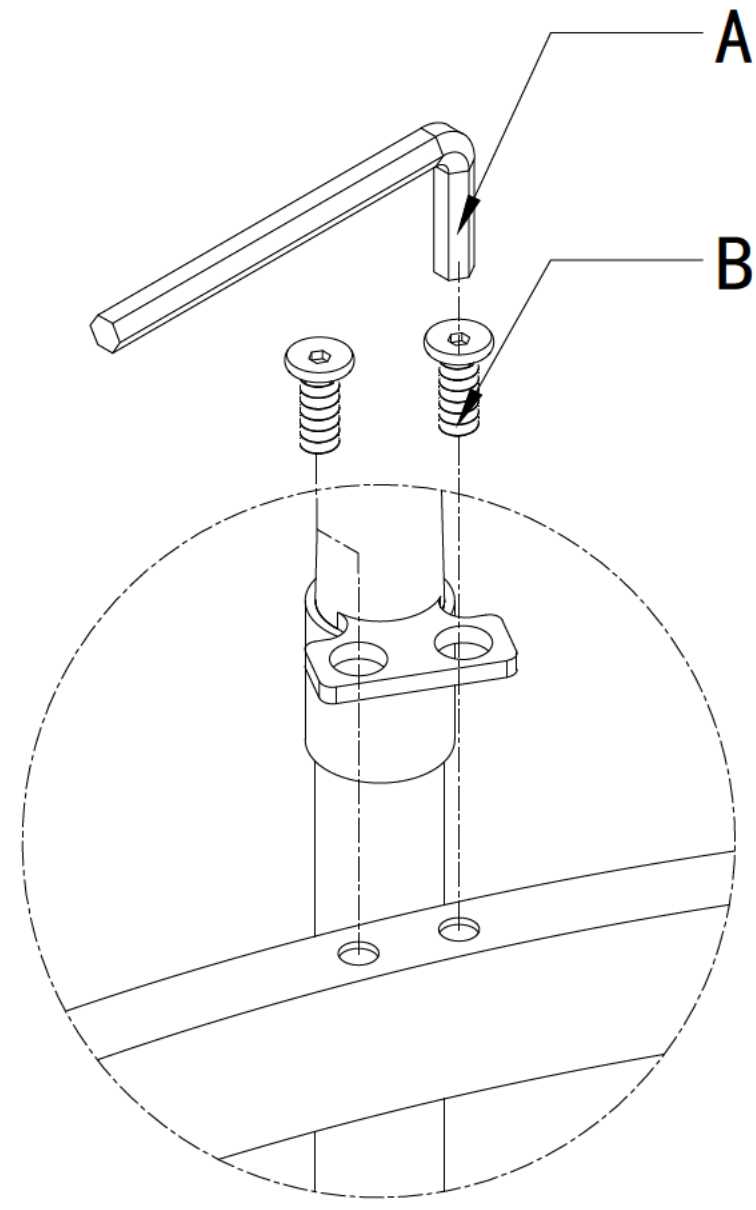
C: (16\*13\*1)  3PCS



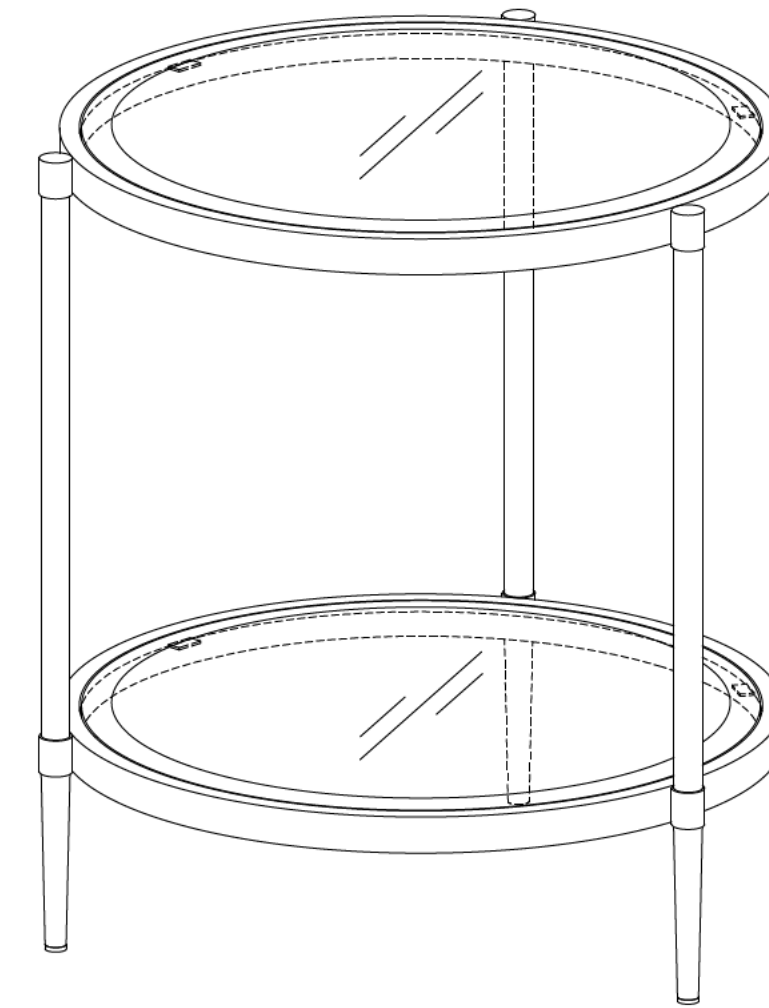
STEP 3



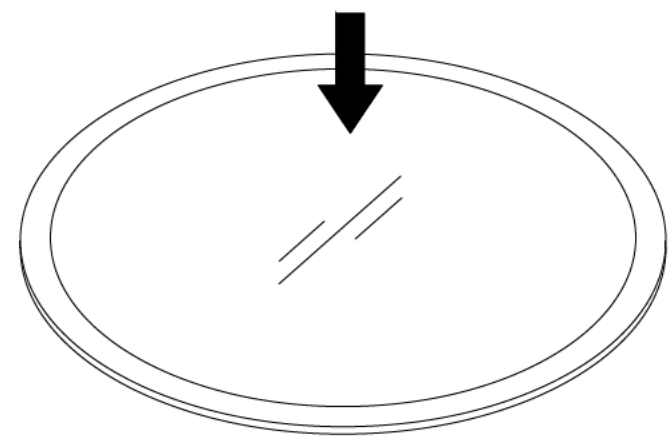
A: ( $\phi 4$ ) 1PCS  
B: (M6\*10) 6PCS



FINISH



STEP 4



C: (16\*13\*1) 3PCS

