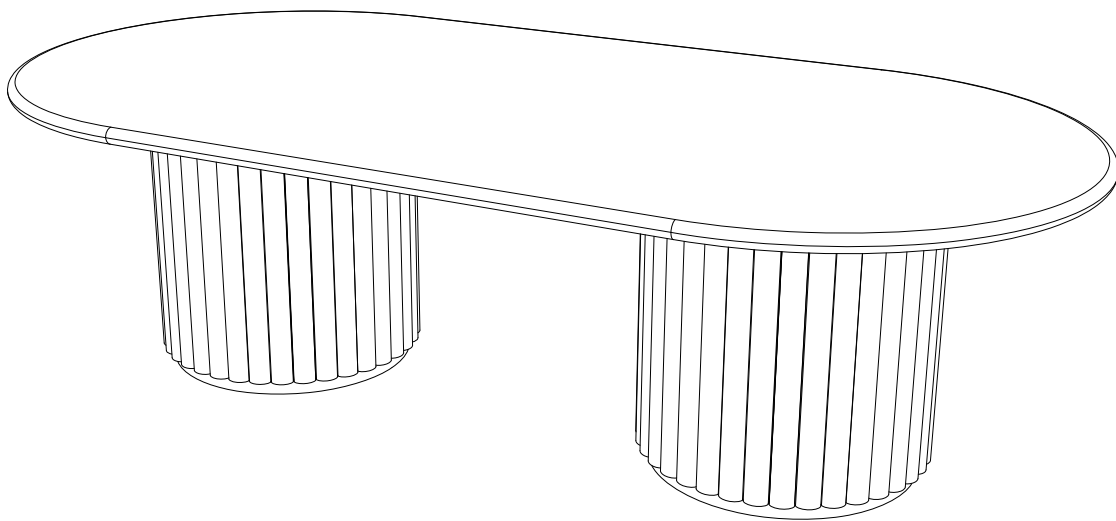


# Instruction Manual

## Myla 120cm Oval Coffee Table

[www.laura-james.co.uk](http://www.laura-james.co.uk)

1679228





# CONTENTS

---

<b>Safety and care advice</b>	<b>1</b>
<b>Components</b>	<b>2</b>
<b>Assembly instructions</b>	<b>4</b>
<b>Copyright</b>	<b>5</b>

# ⚠ SAFETY AND CARE ADVICE ⚠

---

## PLEASE READ THESE INSTRUCTIONS CAREFULLY AND KEEP FOR FUTURE REFERENCE

- **Warning:** Please lift with care.
- Check you have all the components and tools listed on pages 2 and 3.
- Remove all fittings from the plastic bags and separate them into their groups.
- Keep children and animals away from the work area, small parts could choke if swallowed.
- Make sure you have enough space to lay out the parts before starting.
- Do not stand or put weight on the product, this could cause damage.
- Assemble the item as close to its final position (in the same room) as possible.
- Assemble on a soft level surface to avoid damaging the unit or your floor (use opened out unit carton).



- We do not recommend the use of power drill/drivers **for inserting screws**, as this could damage the unit. Only use hand screwdrivers.
- Dispose of all packaging carefully and responsibly.

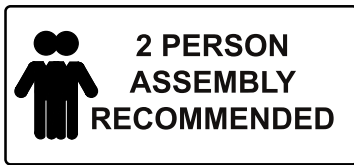
## CARE AND MAINTENANCE

---

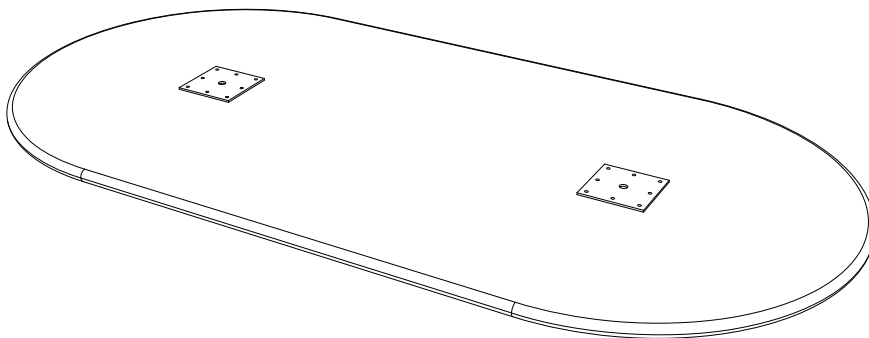
- Only clean using a damp cloth and mild detergent, do not use bleach or abrasive cleaners.
  - From time to time check that there are no loose screws on this unit.
  - This product should not be discarded with household waste. Take to your local authority waste disposal center.
- Note** *If required the next page can be cut out and used as reference throughout the assembly. Keep this page with these instructions for future reference.*

# COMPONENTS

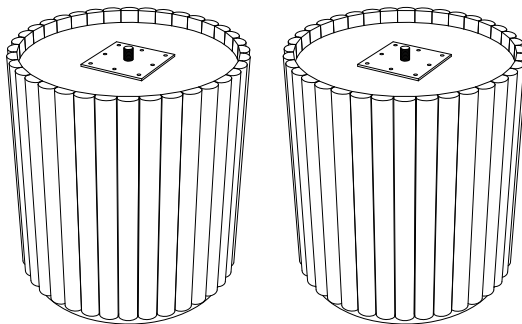
Please check you have all the panels listed below:



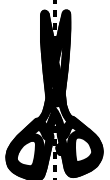
1



2



1 : Top	1
2 : Bottom Frame	2



# COMPONENTS

---

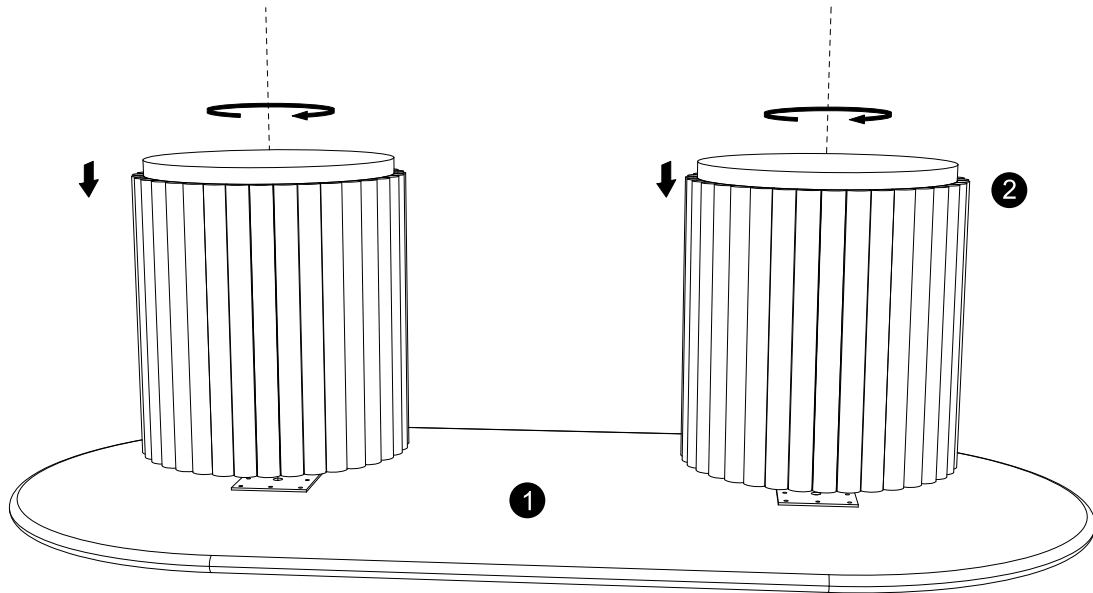
Please check you have all the fittings listed below:



# ASSEMBLY INSTRUCTIONS

---

## Step 1



# IF YOU FIND A DEFECTIVE PART

---

We fully stock all parts and components. Any defective part can be quickly replaced. Take note of the defective part number in manual and we will arrange a quick replacement.

You can email our team at [customercare@laura-james.co.uk](mailto:customercare@laura-james.co.uk)

## COPYRIGHT

---

All material in this instruction manual is copyrighted by AGTC Ltd.

Any unauthorised use may violate worldwide copyright, trademark and other laws.

Thank you for purchasing!

Laura James® is a registered trademark of AGTC Ltd.  
Made in India for AGTC LTD S35 9ZX

Version 1

---

Laura James

[www.laura-james.co.uk](http://www.laura-james.co.uk)