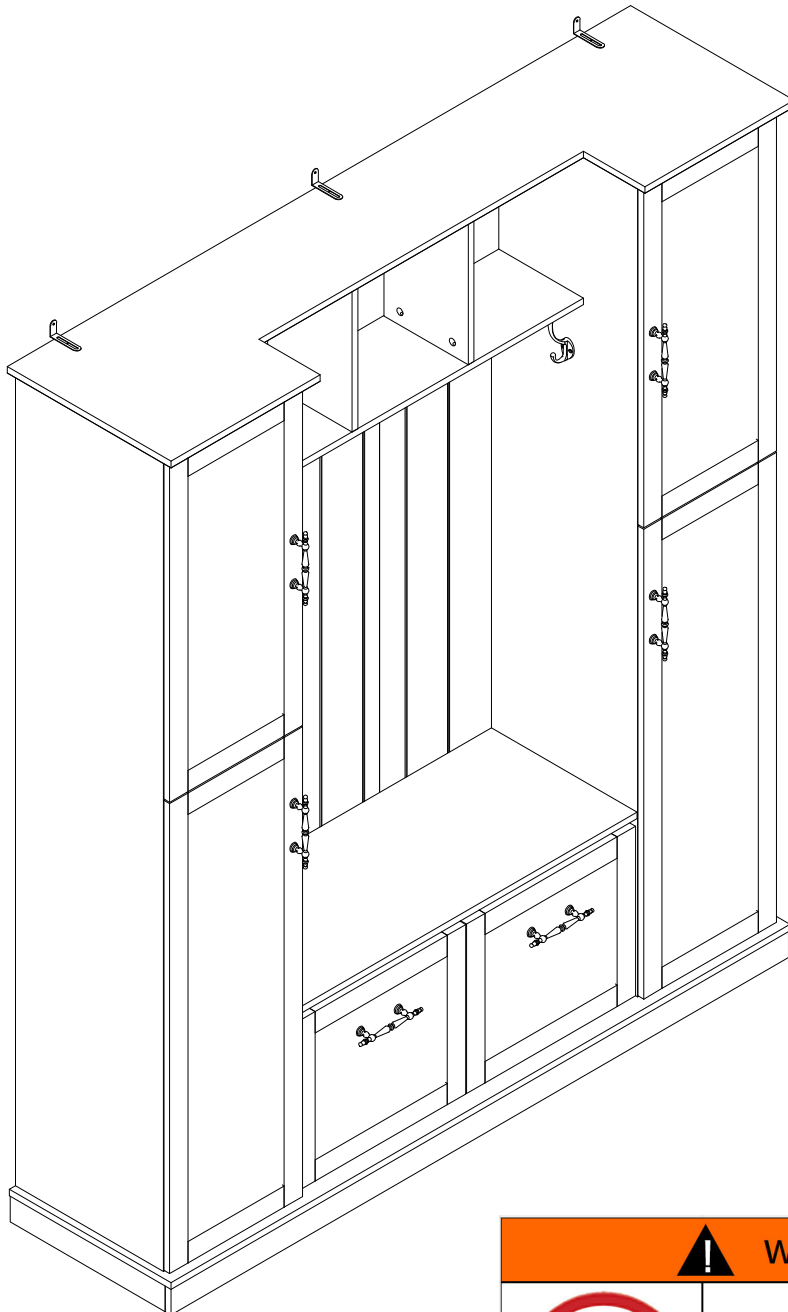


HALL TREE

Assembly Instructions - Please keep for future reference

N721P449930 / N721P449931



WARNING



This product is NOT a Clothing Storage Unit (CSU).
DO NOT use it for clothing storage.
Improper use may cause furniture tipover.

Important - Please read these instructions fully before starting assembly.



Safety and Care Advice

Important – Please read these instructions fully before starting assembly

- Check you have all the components and tools listed on the following pages.
- Remove all fittings from the plastic bags and separate them into their groups.
- Keep children and animals away from the work area, small parts could choke if swallowed.
- Make sure you have enough space to layout the parts before starting.

- During assembly do not stand or put weight on the product, this could cause damage.
- Assemble the item as close to its final position (in the same room) as possible.
- Assemble on a soft level surface to avoid damaging the unit or your floor.
- Parts of the assembly will be easier with 2 people.



- To reduce the likelihood of damaging your product please ensure that your power drill is set on a low torque setting.

Care and maintenance

- Only clean using a damp cloth and mild detergent, do not use bleach or abrasive cleaners.
- From time to time check that there are no loose screws on this unit.
- This product should not be discarded with household waste. Take to your local authority waste disposal centre.

Handy Hints

- Assemble all parts and bolts loosely during assembly, only once the product is complete should you fully tighten the bolts
- Regularly check and ensure that all bolts and fittings are tightened properly.

WARNING

In order to help prevent overturning – please follow these instructions

To help prevent product toppling over please follow the below steps:-

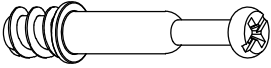
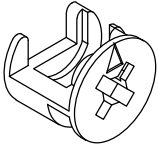
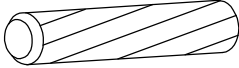
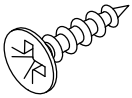
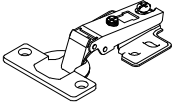
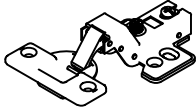
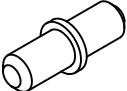

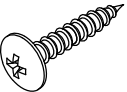
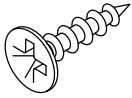
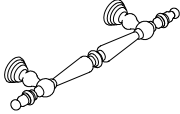
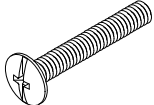
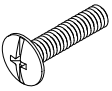
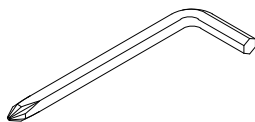
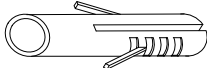

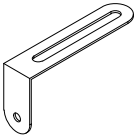
- Use the anti tip stop or wall fixing method provided (if applicable)
- Do not allow children to climb or hang on the furniture
- Do not open more than one drawer at a time
- Do not place heavy items in the top drawers
- Do not place heavy items on top of the furniture, unless the furniture has been designed for this purpose

Components - Fittings

Please check you have all the panels listed below

Note: The quantities below are the correct amount to complete the assembly. In some cases, more fittings may be supplied than required.

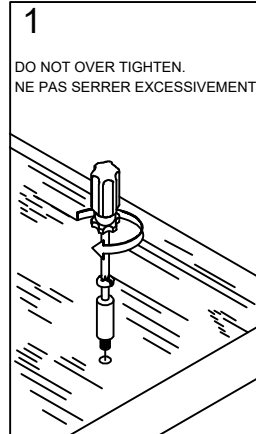
HARDWARE BOX INSIDE BOX 2

| | | | |
|--|--|---|--|
| <p>A QTY: 67+2</p>  | <p>B QTY: 67+2</p>  | <p>C QTY: 54+2</p>  <p>Ø6*30mm</p> | <p>D QTY: 72+2</p>  <p>Ø7*12mm</p> |
| CAM BOLT | CAM LOCK | WOOD DOWEL | FLAT HEAD SCREW |
| <p>E QTY: 8</p>  | <p>F QTY: 4</p>  | <p>G QTY: 16</p>  | <p>H QTY: 5</p>  |
| INSET CONCEALED HINGE | FULL OVERLAY HINGE | SHELF SUPPORT PIN | SINGLE COAT HOOK |
| <p>I QTY: 33+2</p>  <p>Ø7*15mm</p> | <p>J QTY: 10</p>  <p>Ø6*12mm</p> | <p>K QTY: 6</p>  | <p>L QTY: 8</p>  <p>Ø8*19mm</p> |
| PAN HEAD SCREW | FLAT HEAD SCREW | HANDLE | HANDLE BOLT |
| <p>M QTY: 4</p>  <p>Ø8*10mm</p> | <p>N QTY: 1</p>  <p>Ø10*45mm</p> | <p>O QTY: 3</p>  | <p>P QTY: 3</p>  <p>Ø8*38mm</p> |
| HANDLE BOLT | HEX KEY | ANCHOR | FLAT HEAD SCREW |
| <p>Q QTY: 3</p>  | | | |
| ANTI-TIP L BRACKET | | | |

Using Camlocks

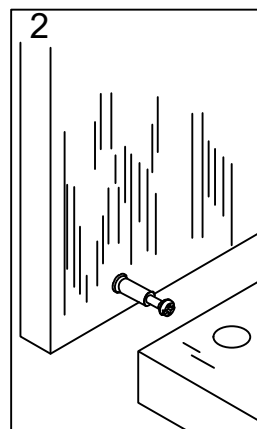
Step 1

Connect the male camlock as directed in the assembly instructions using a screwdriver.



Step 2

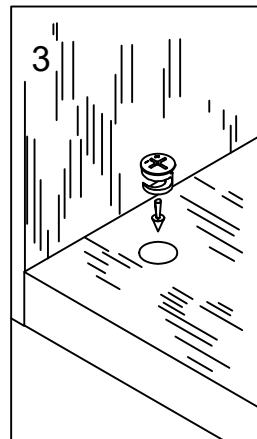
Push the male camlock into the entry hole.



Step 3

Insert the female camlock as shown in the instruction.

Note: ensure that the arrow on the top of the camlock points towards the entry hole for the male camlock.

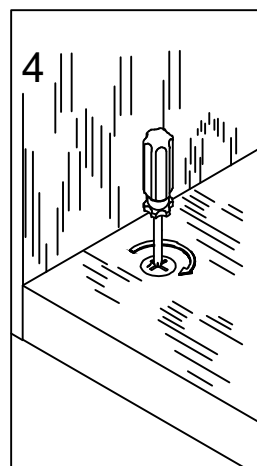


Step 4

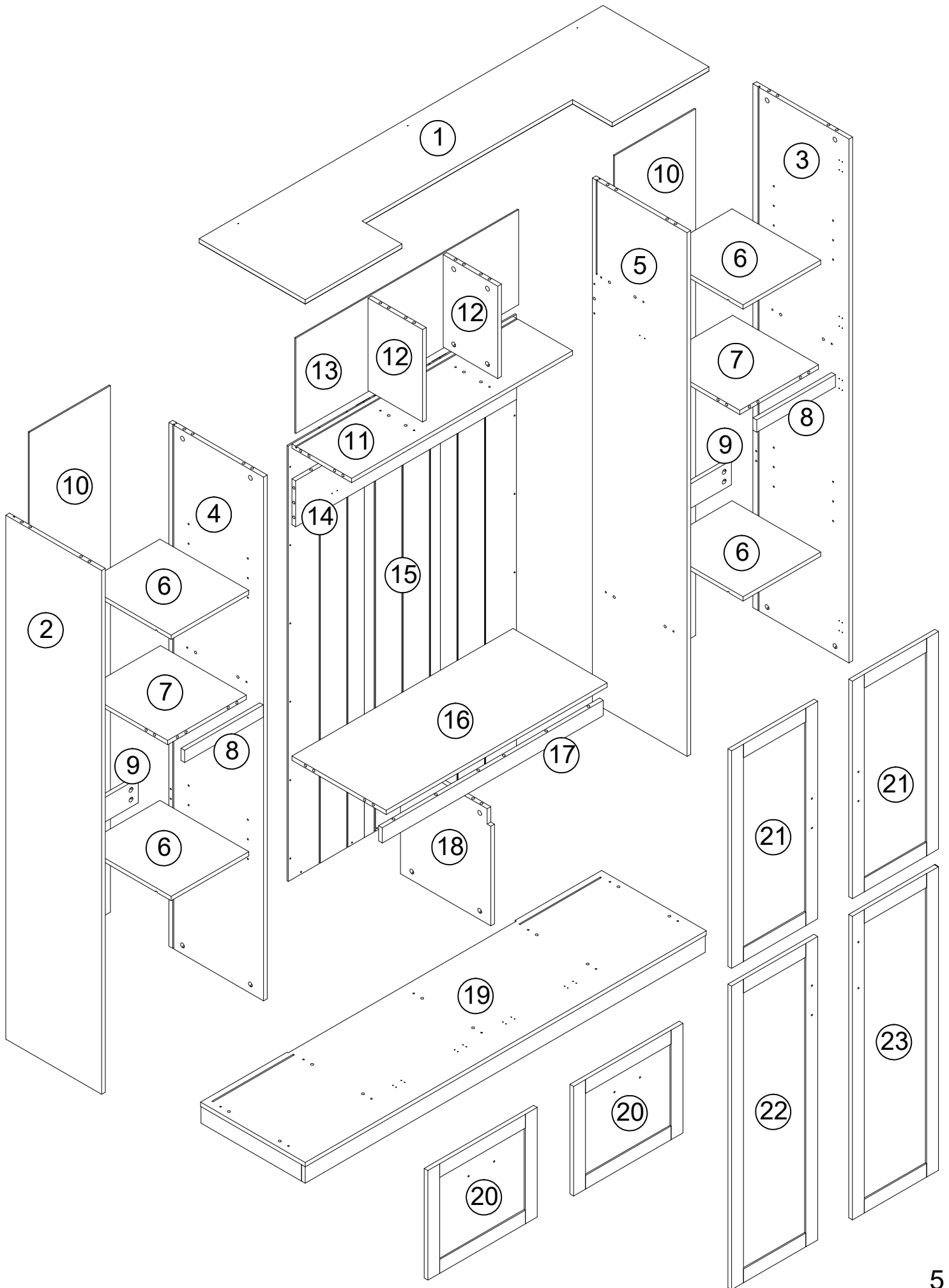
Turn the female camlock clockwise with a screwdriver.

You should feel a click when the camlock is locked in place.

The joint is now secure.

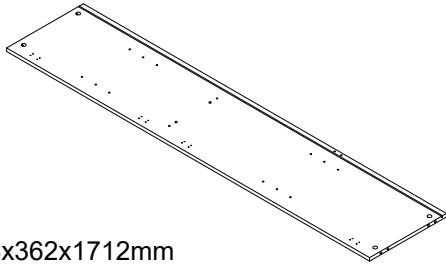
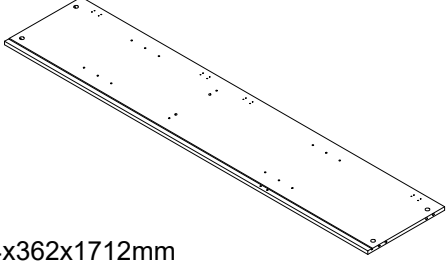
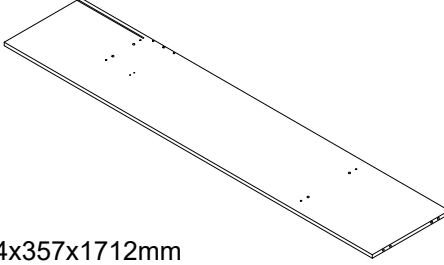
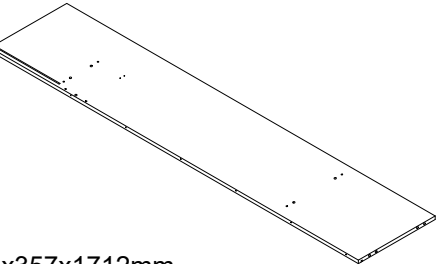

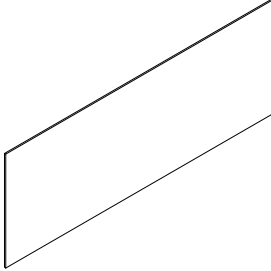
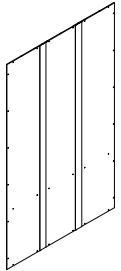
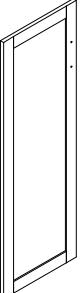
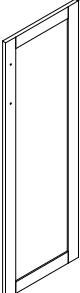


COMPONENTS - KEY DIAGRAM



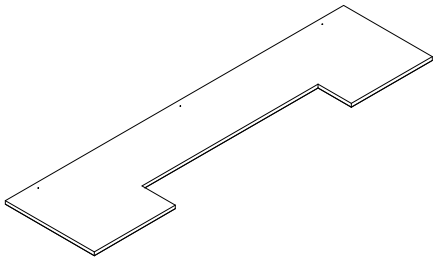
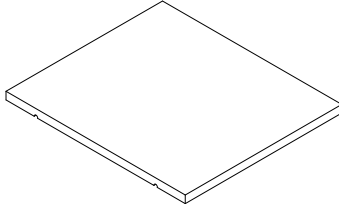
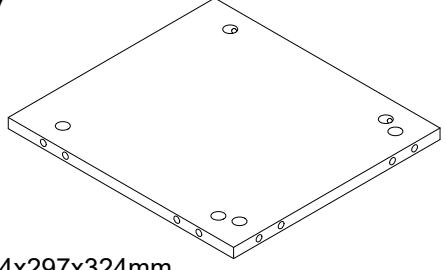
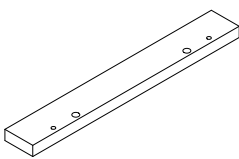
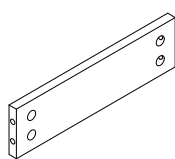
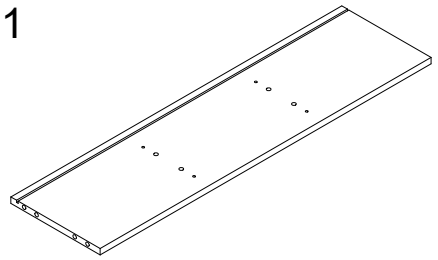
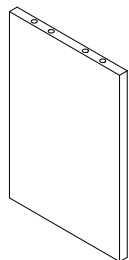
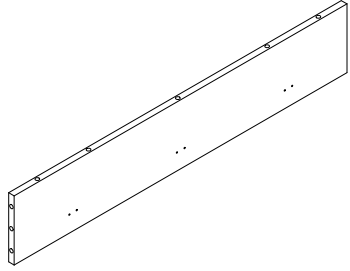
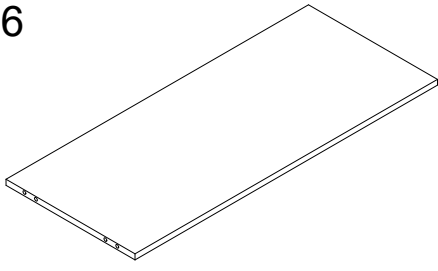
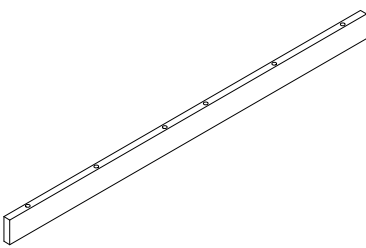
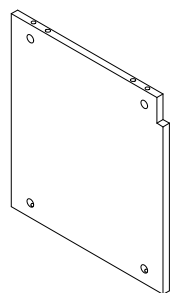
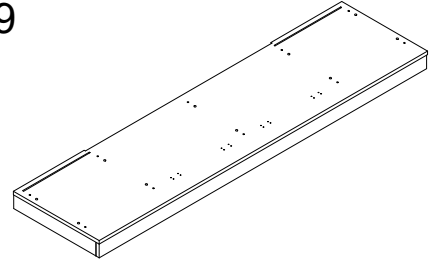
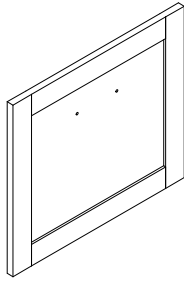
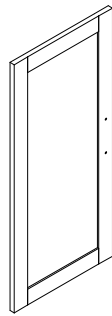
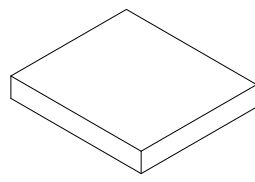
COMPONENTS - KEY DIAGRAM

This product comes in 2 box.
 BOX 1: N721P449930

| | | |
|--|--|--|
| <p>2</p>  <p>14x362x1712mm</p> | <p>3</p>  <p>14x362x1712mm</p> | <p>4</p>  <p>14x357x1712mm</p> |
| <p>LEFT SIDE PANEL QTY: 1</p> | <p>RIGHT SIDE PANEL QTY: 1</p> | <p>LEFT VERTICAL PARTITION QTY: 1</p> |
| <p>5</p>  <p>14x357x1712mm</p> | <p>10</p>  <p>3x306x1721mm</p> | <p>13</p>  <p>3x311x841mm</p> |
| <p>RIGHT VERTICAL PARTITION QTY: 1</p> | <p>BACK PANEL QTY: 2</p> | <p>BACK MIDDLE PANEL QTY: 1</p> |
| <p>15</p>  <p>5x861x1423mm</p> | <p>22</p>  <p>14x325x992mm</p> | <p>23</p>  <p>14x325x992mm</p> |
| <p>BOTTOM MIDDLE PANEL QTY: 1</p> | <p>LEFT BOTTOM DOOR QTY: 1</p> | <p>RIGHT BOTTOM DOOR QTY: 1</p> |

COMPONENTS - KEY DIAGRAM

This product comes in 2 box.
BOX 2 : N721P449931

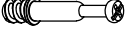

| | | |
|--|--|---|
| <p>1</p>  <p>28x400x1524mm</p> | <p>6</p>  <p>14x293x335mm</p> | <p>7</p>  <p>14x297x324mm</p> |
| <p>TOP PANEL QTY: 1</p> | <p>ADJUSTABLE SHELF QTY: 4</p> | <p>FIXED SHELF QTY: 2</p> |
| <p>8</p>  <p>14x40x297mm</p> | <p>9</p>  <p>14x80x297mm</p> | <p>11</p>  <p>14x225x834mm</p> |
| <p>FRONT RAIL QTY: 2</p> | <p>BACK RAIL QTY: 2</p> | <p>TOP HORIZONTAL PANEL QTY: 1</p> |
| <p>12</p>  <p>14x206x302mm</p> | <p>14</p>  <p>14x150x834mm</p> | <p>16</p>  <p>14x356x834mm</p> |
| <p>VERTICAL SUPPORT PANEL QTY: 2</p> | <p>HORIZONTAL SUPPORT RAIL QTY: 1</p> | <p>BOTTOM HORIZONTAL PANEL QTY: 1</p> |
| <p>17</p>  <p>14x50x834mm</p> | <p>18</p>  <p>14x341x376mm</p> | <p>19</p>  <p>70x395x1514mm</p> |
| <p>MIDDLE FRONT RAIL QTY: 1</p> | <p>CENTER VERTICAL DIVIDER QTY: 1</p> | <p>BOTTOM FRAME QTY: 1</p> |
| <p>20</p>  <p>14x358x413mm</p> | <p>21</p>  <p>14x325x711mm</p> |  |
| <p>MIDDLE DOOR QTY: 2</p> | <p>TOP DOOR QTY: 2</p> | <p>HARDWARE KIT QTY: 1</p> |

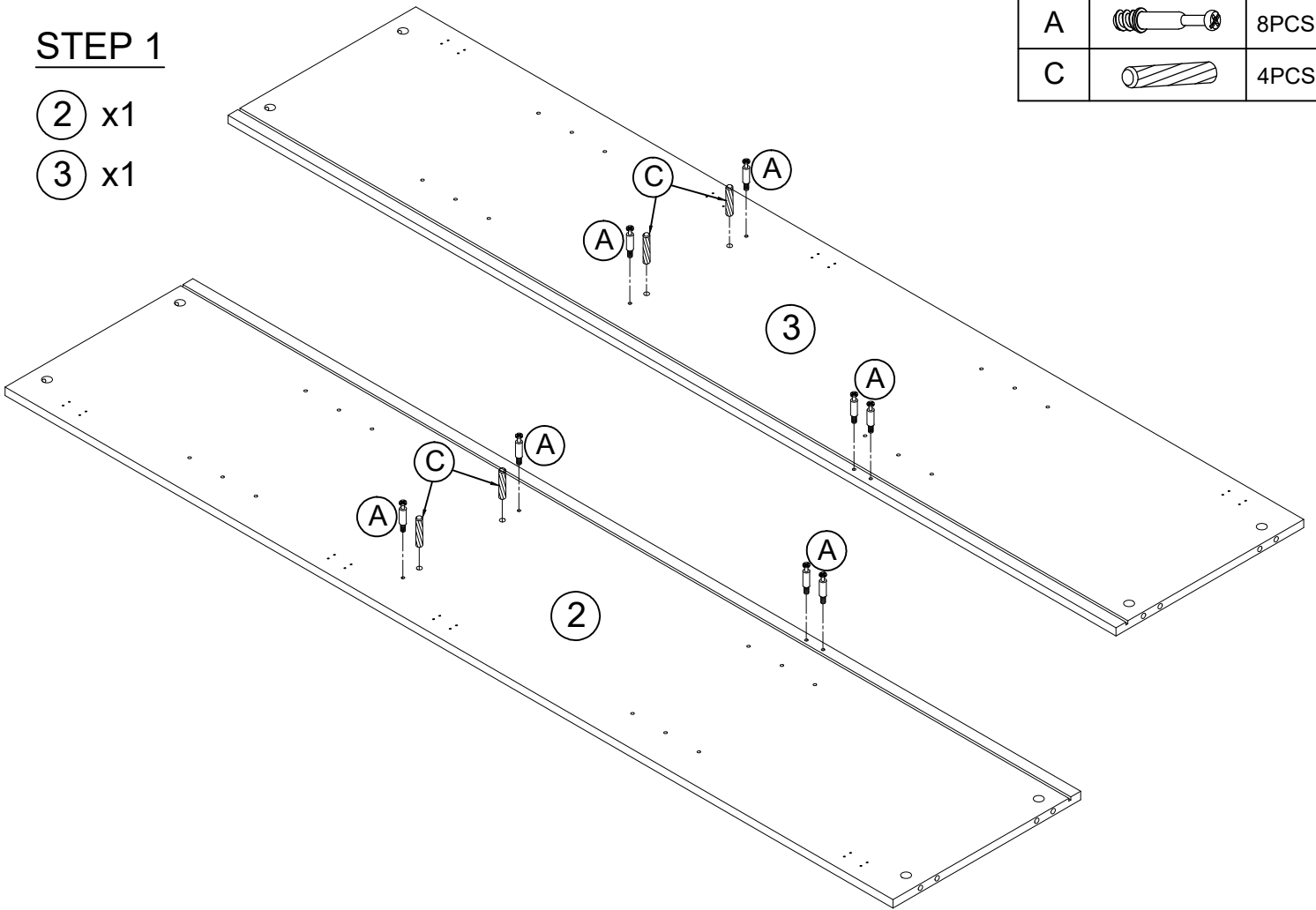
ASSEMBLY INSTRUCTIONS

STEP 1

② x1

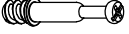

③ x1

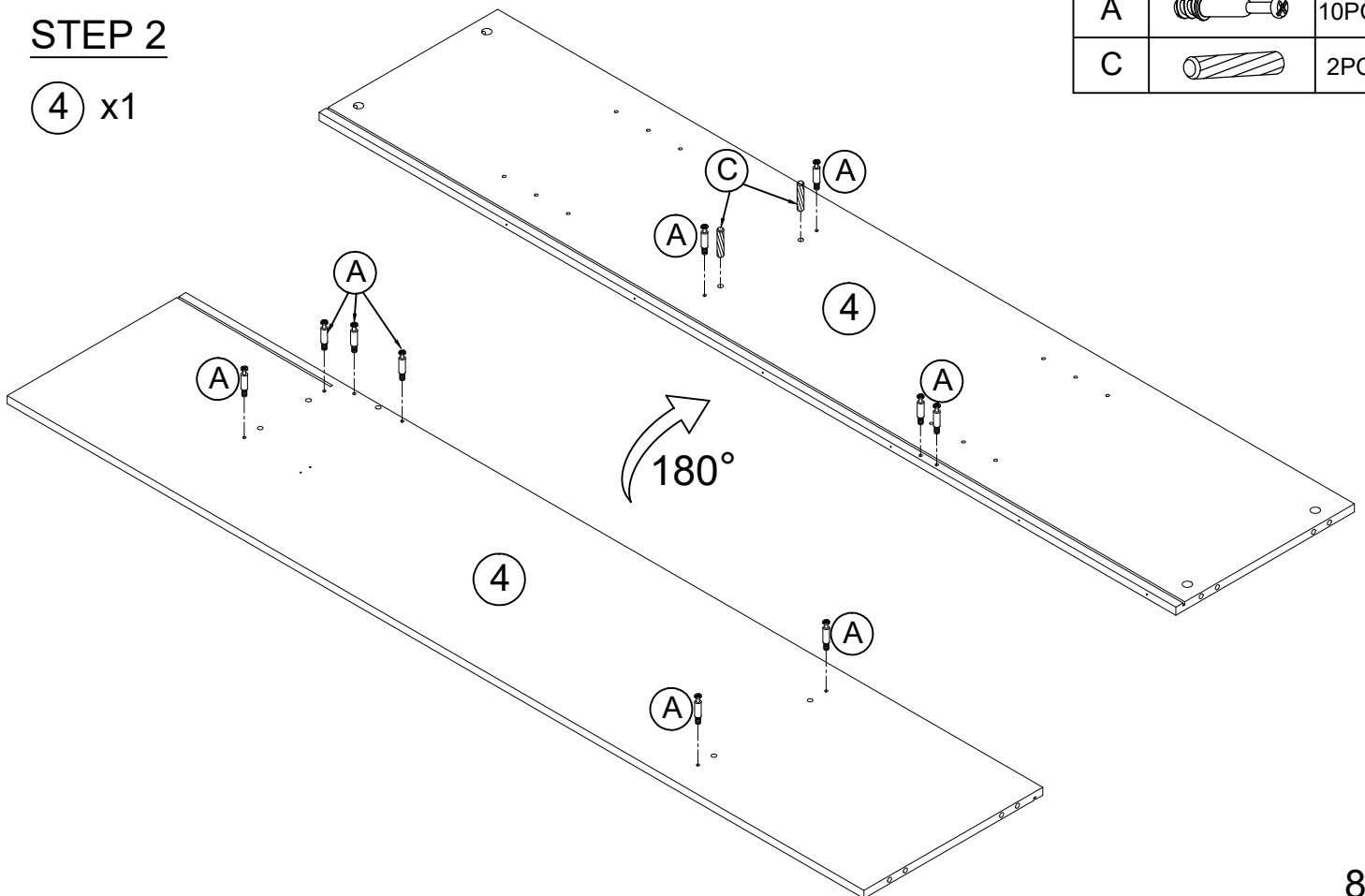
| | | |
|---|---|------|
| A |  | 8PCS |
| C |  | 4PCS |



STEP 2

④ x1

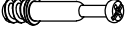

| | | |
|---|---|-------|
| A |  | 10PCS |
| C |  | 2PCS |

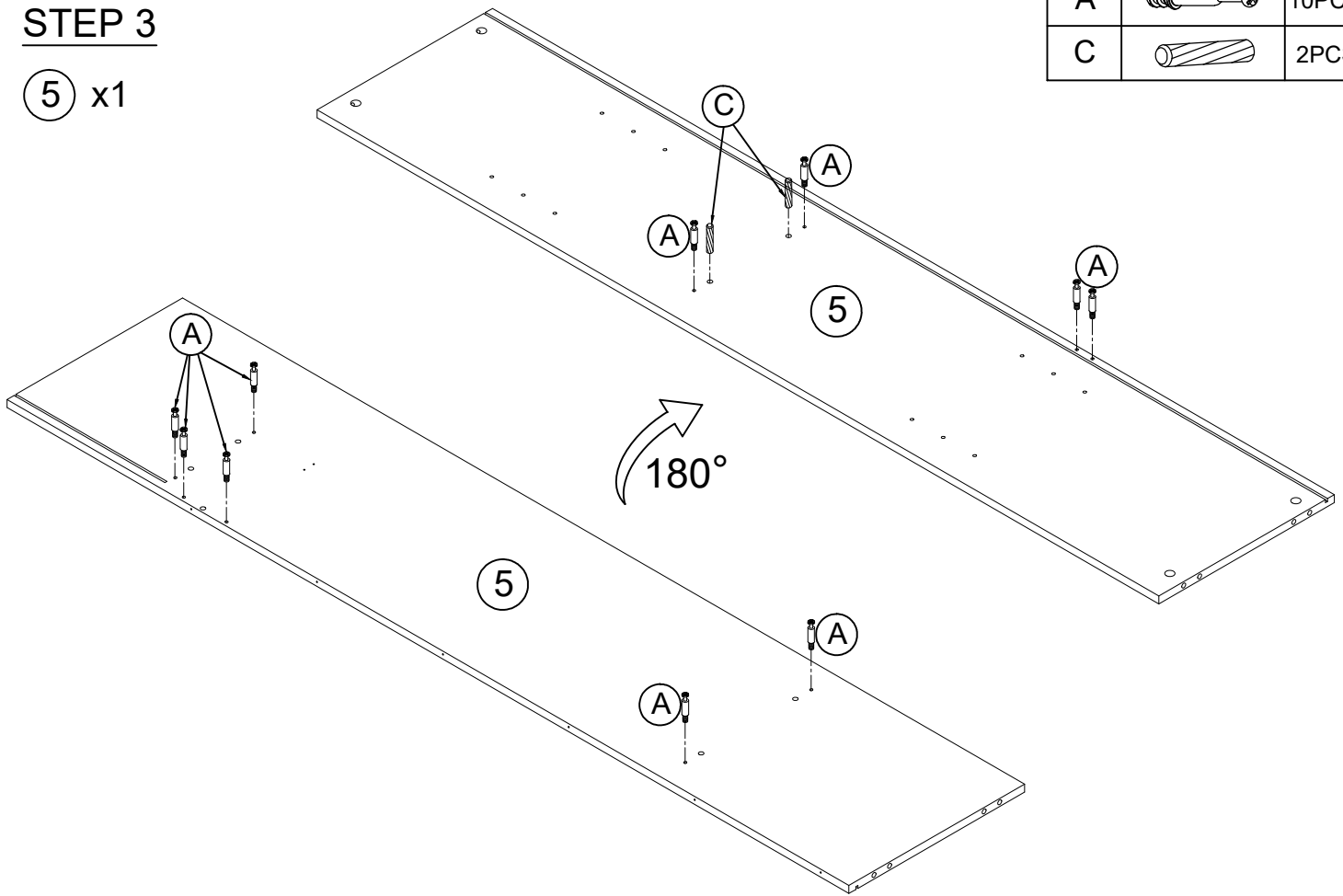


ASSEMBLY INSTRUCTIONS

STEP 3

⑤ x1

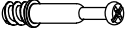


| | | |
|---|---|-------|
| A |  | 10PCS |
| C |  | 2PCS |

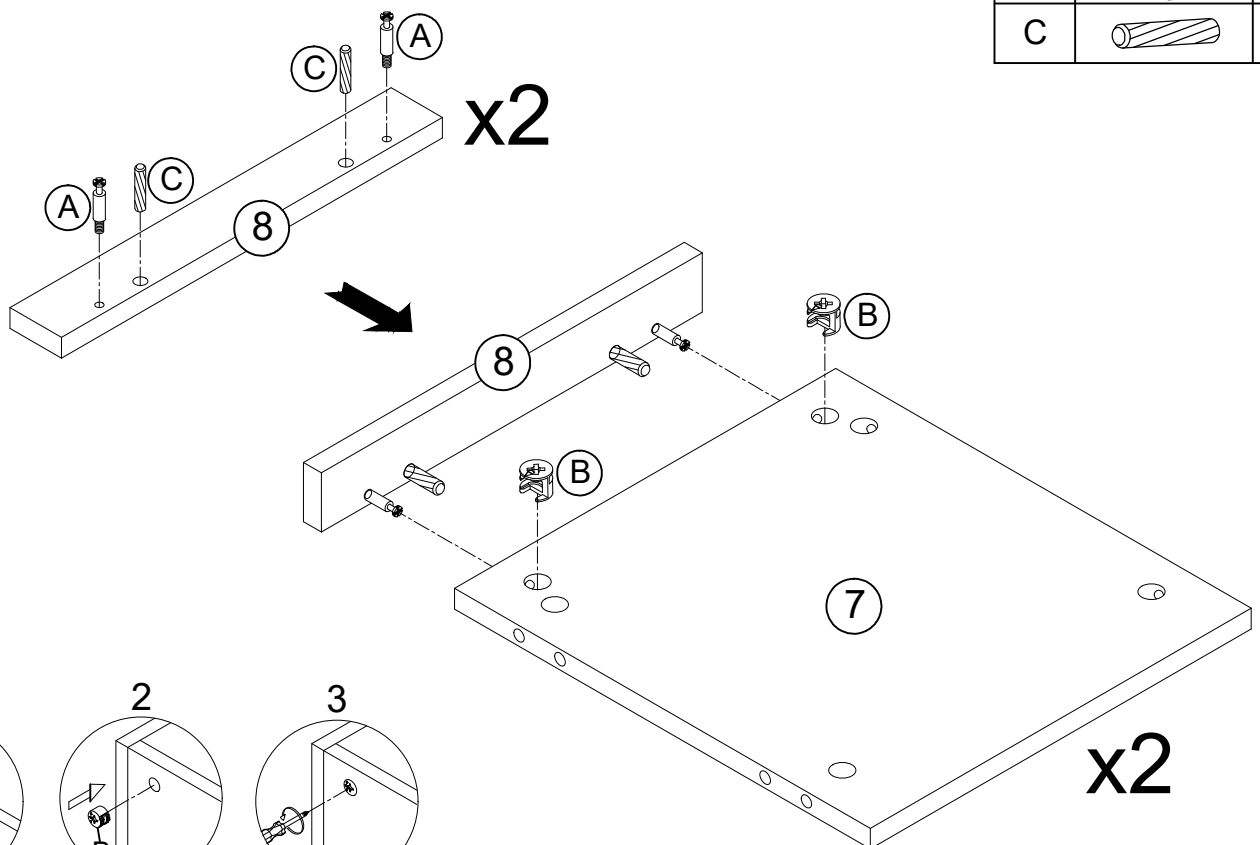


STEP 4

⑦ x2

⑧ x2

| | | |
|---|---|------|
| A |  | 4PCS |
| B |  | 4PCS |
| C |  | 4PCS |

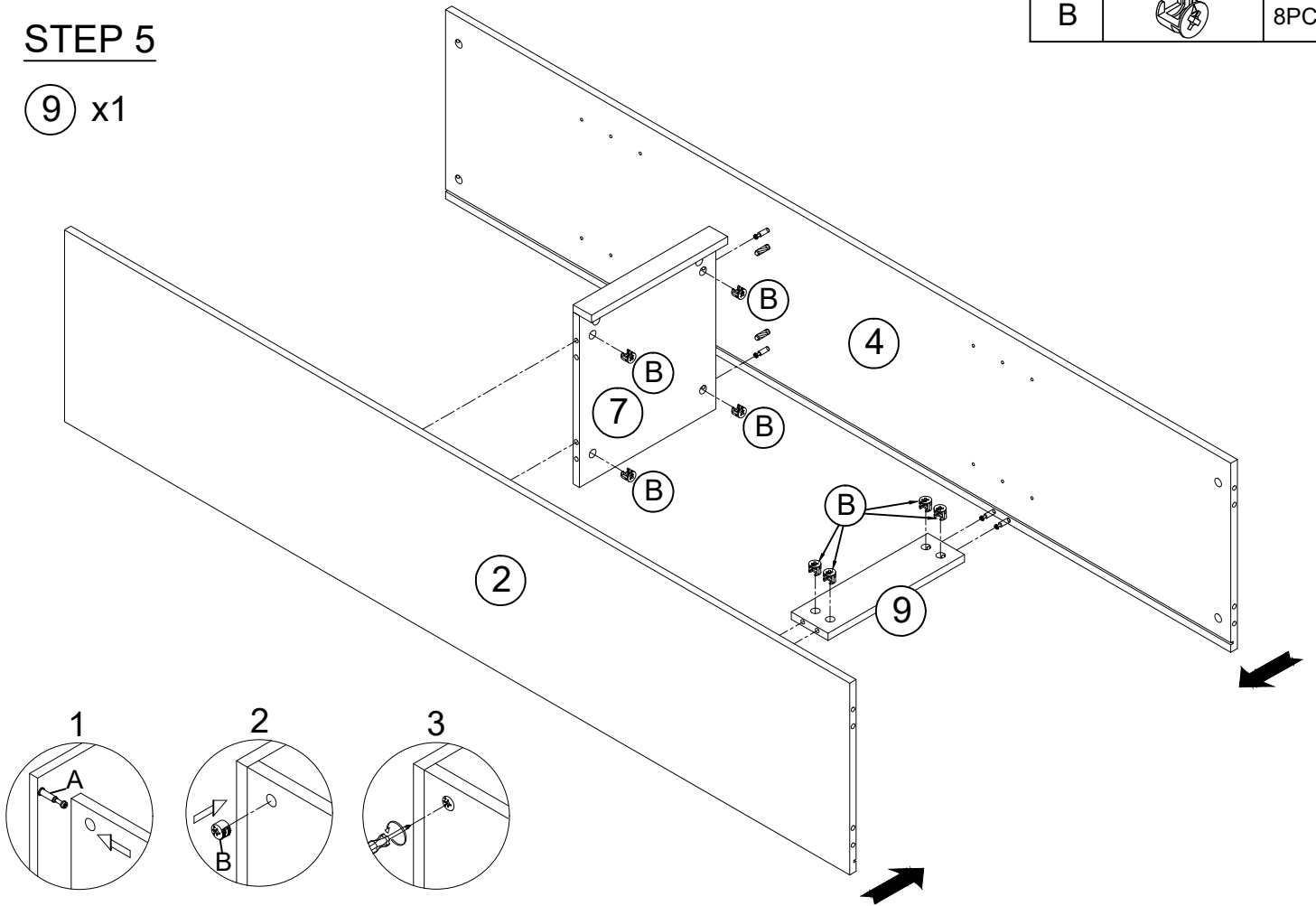


ASSEMBLY INSTRUCTIONS

STEP 5

⑨ x1

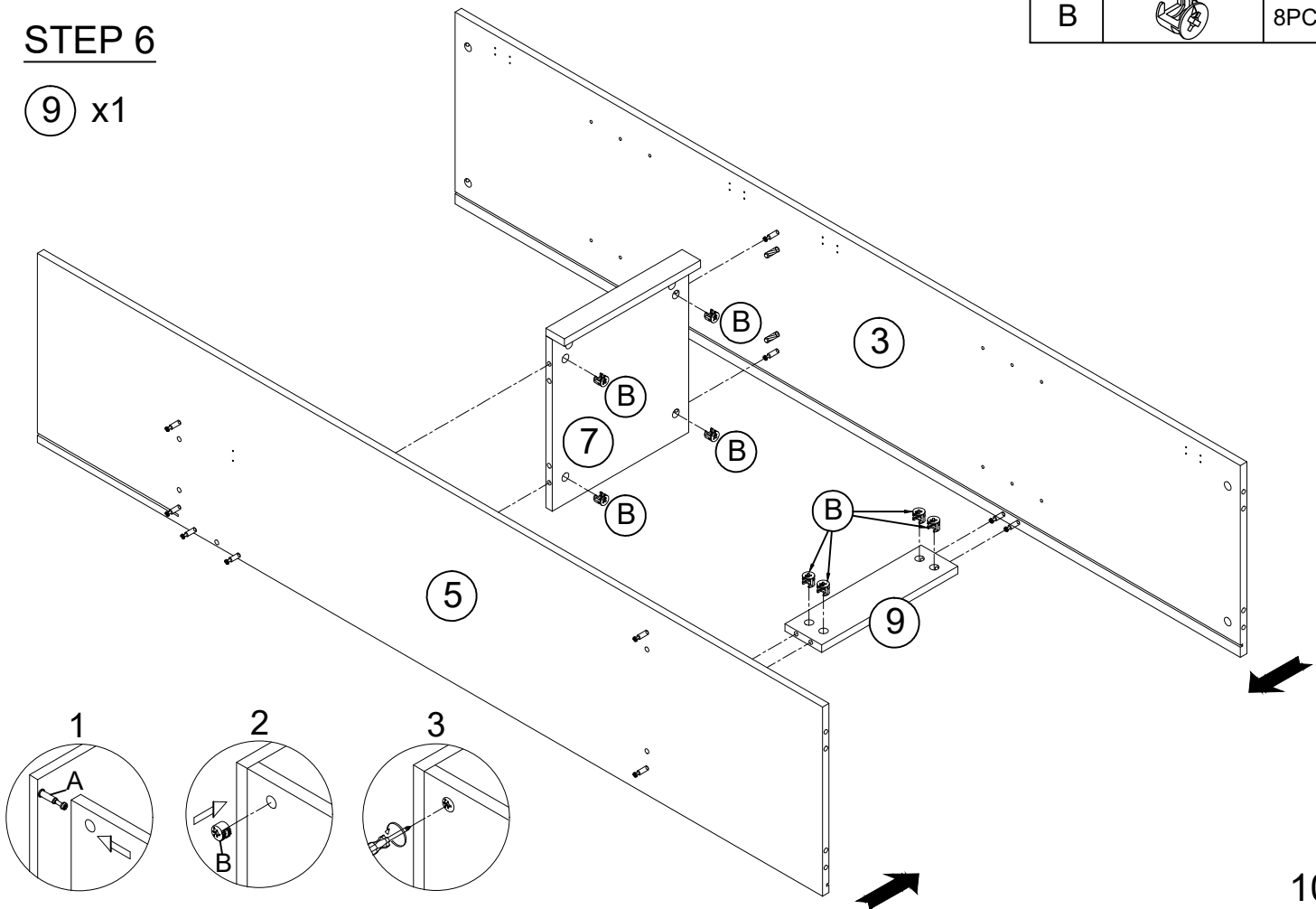
B  8PCS



STEP 6

⑨ x1

B  8PCS

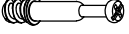




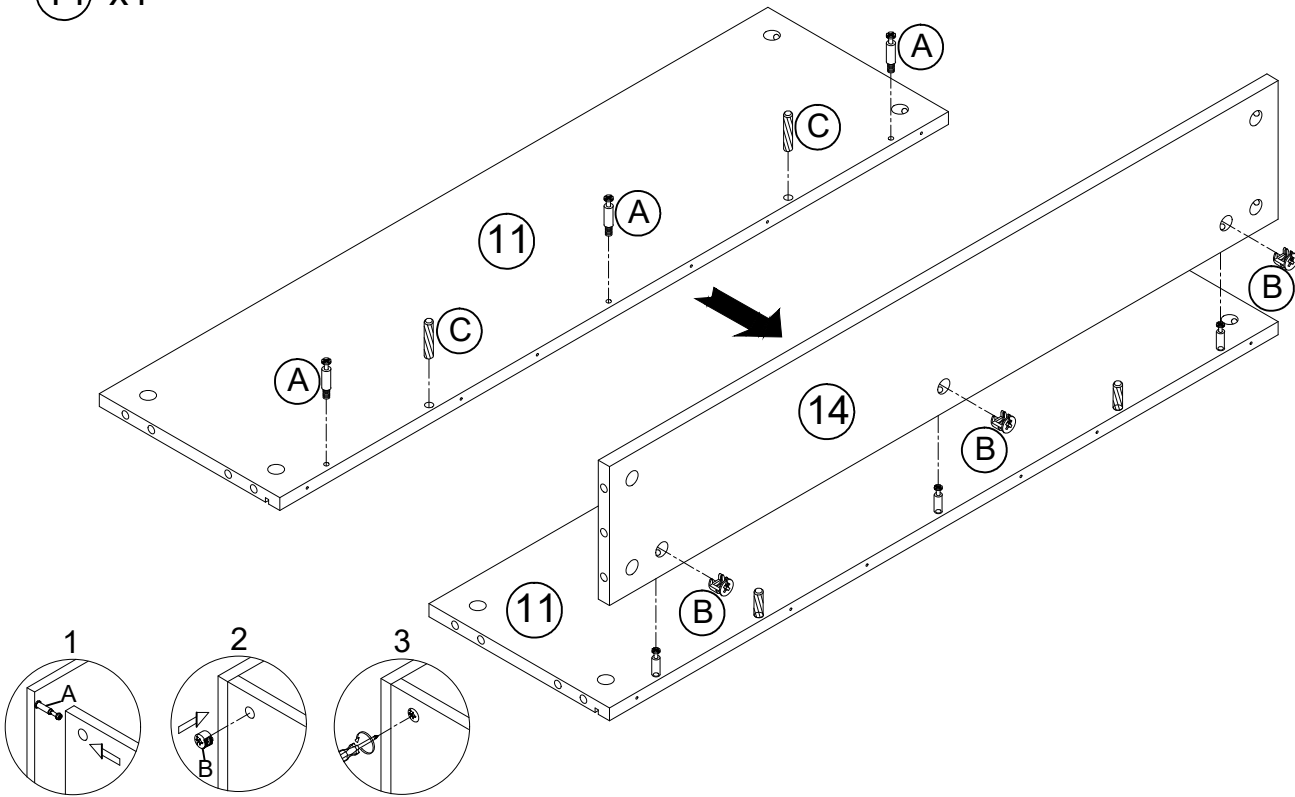
ASSEMBLY INSTRUCTIONS

STEP 7

①① x1

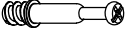


①④ x1

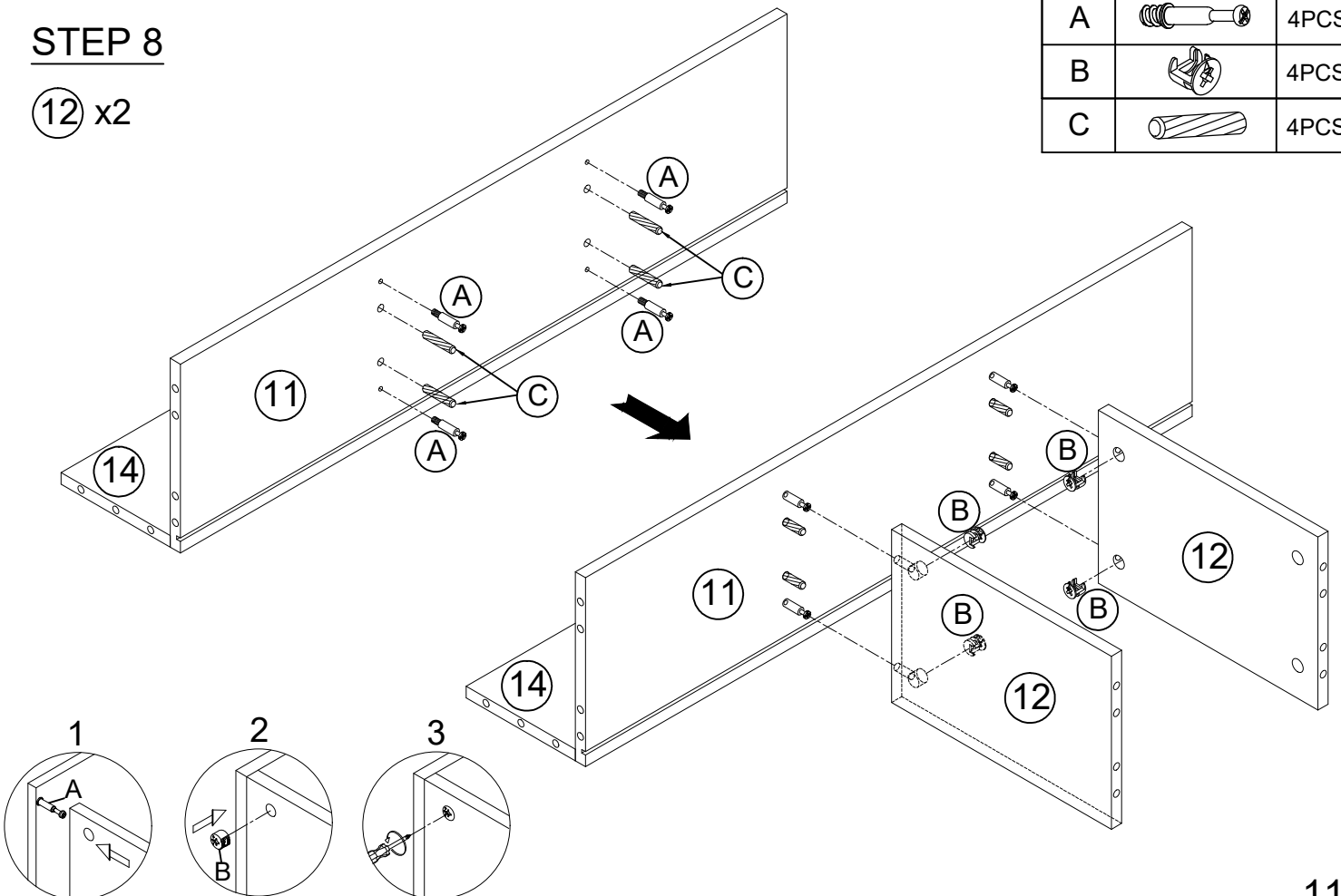
| | | |
|---|---|------|
| A |  | 3PCS |
| B |  | 3PCS |
| C |  | 2PCS |



STEP 8

①② x2

| | | |
|---|---|------|
| A |  | 4PCS |
| B |  | 4PCS |
| C |  | 4PCS |

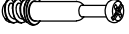




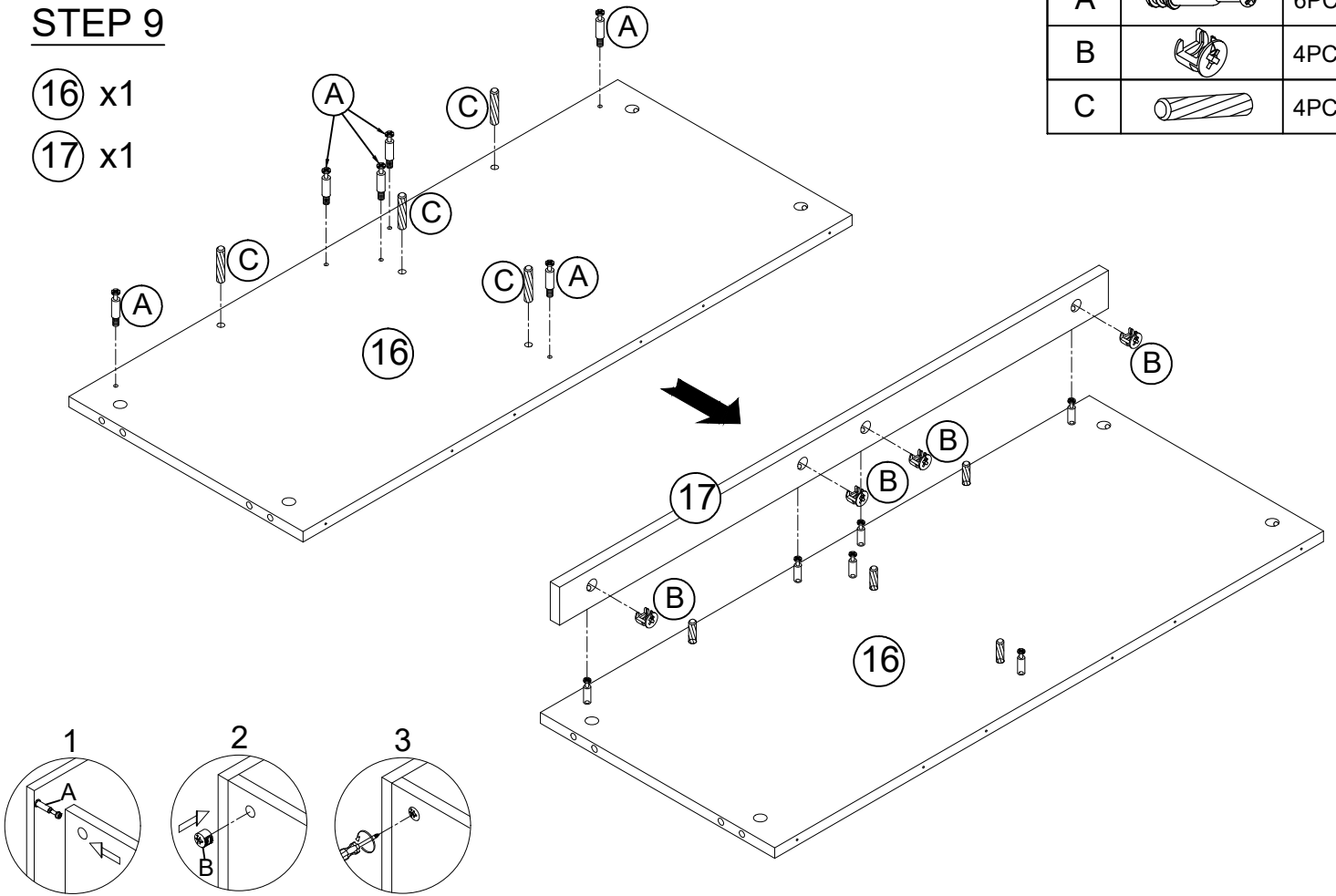
ASSEMBLY INSTRUCTIONS

STEP 9

16 x1


17 x1

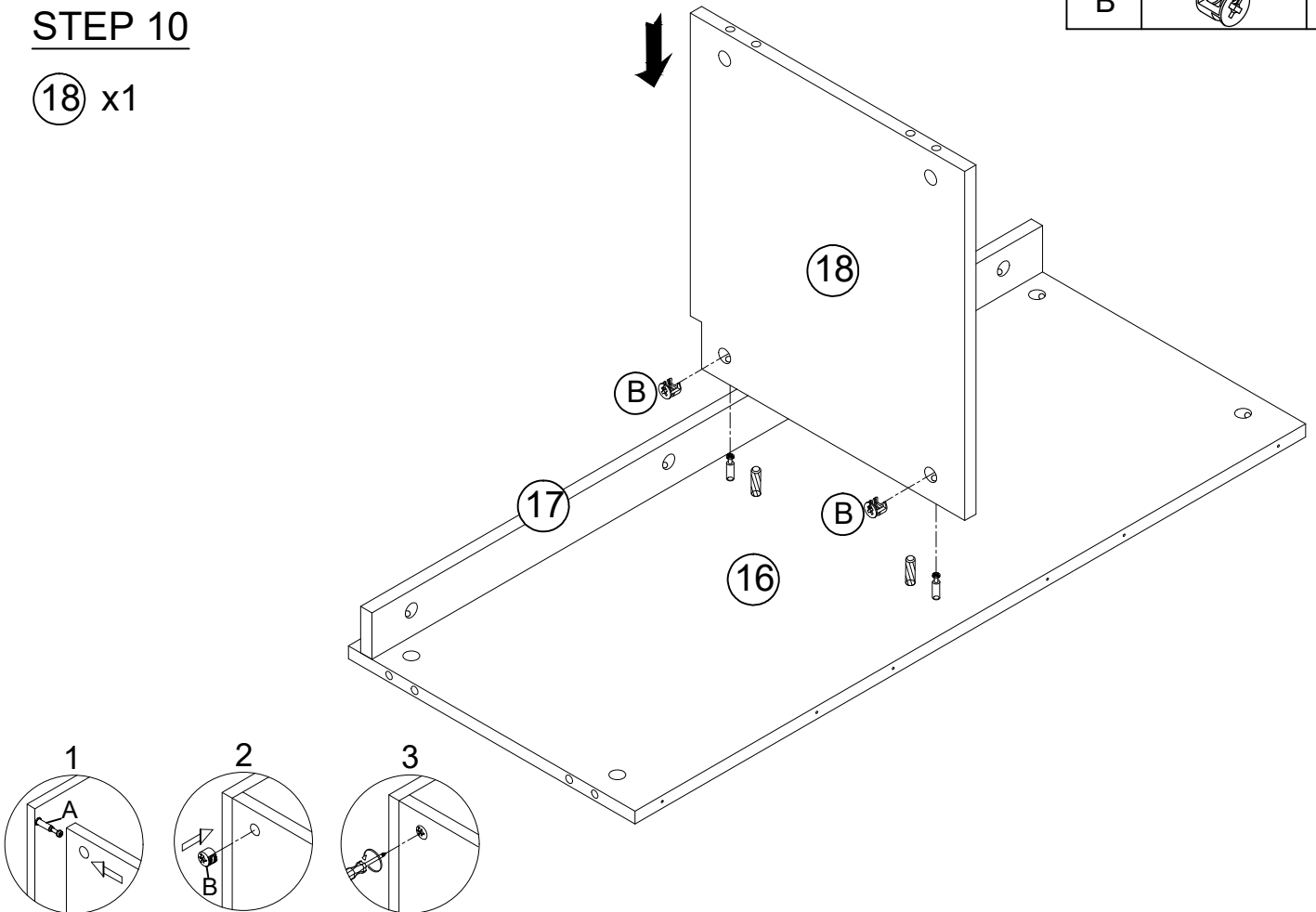
| | | |
|---|---|------|
| A |  | 6PCS |
| B |  | 4PCS |
| C |  | 4PCS |



STEP 10


18 x1

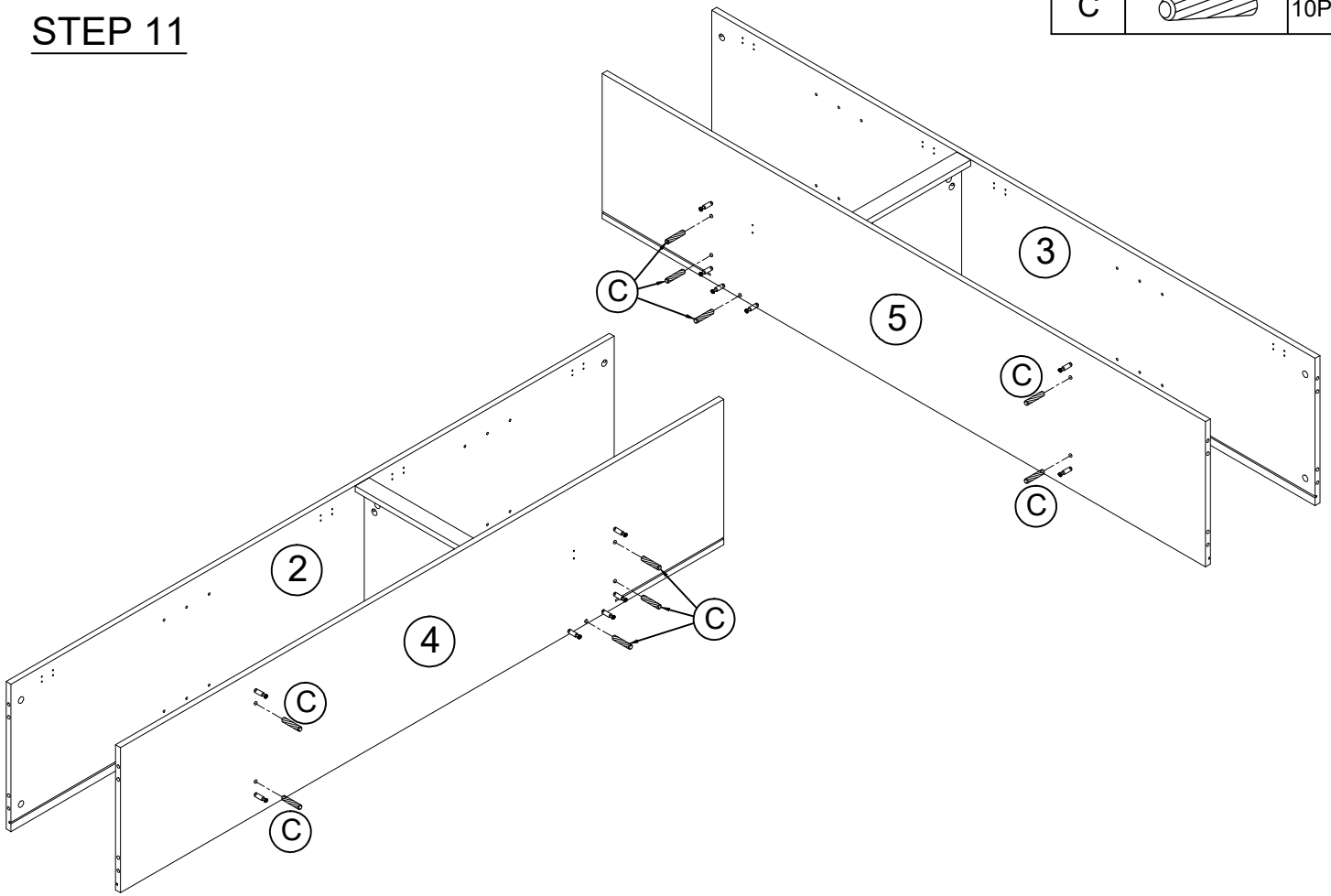
| | | |
|---|---|------|
| B |  | 2PCS |
|---|---|------|



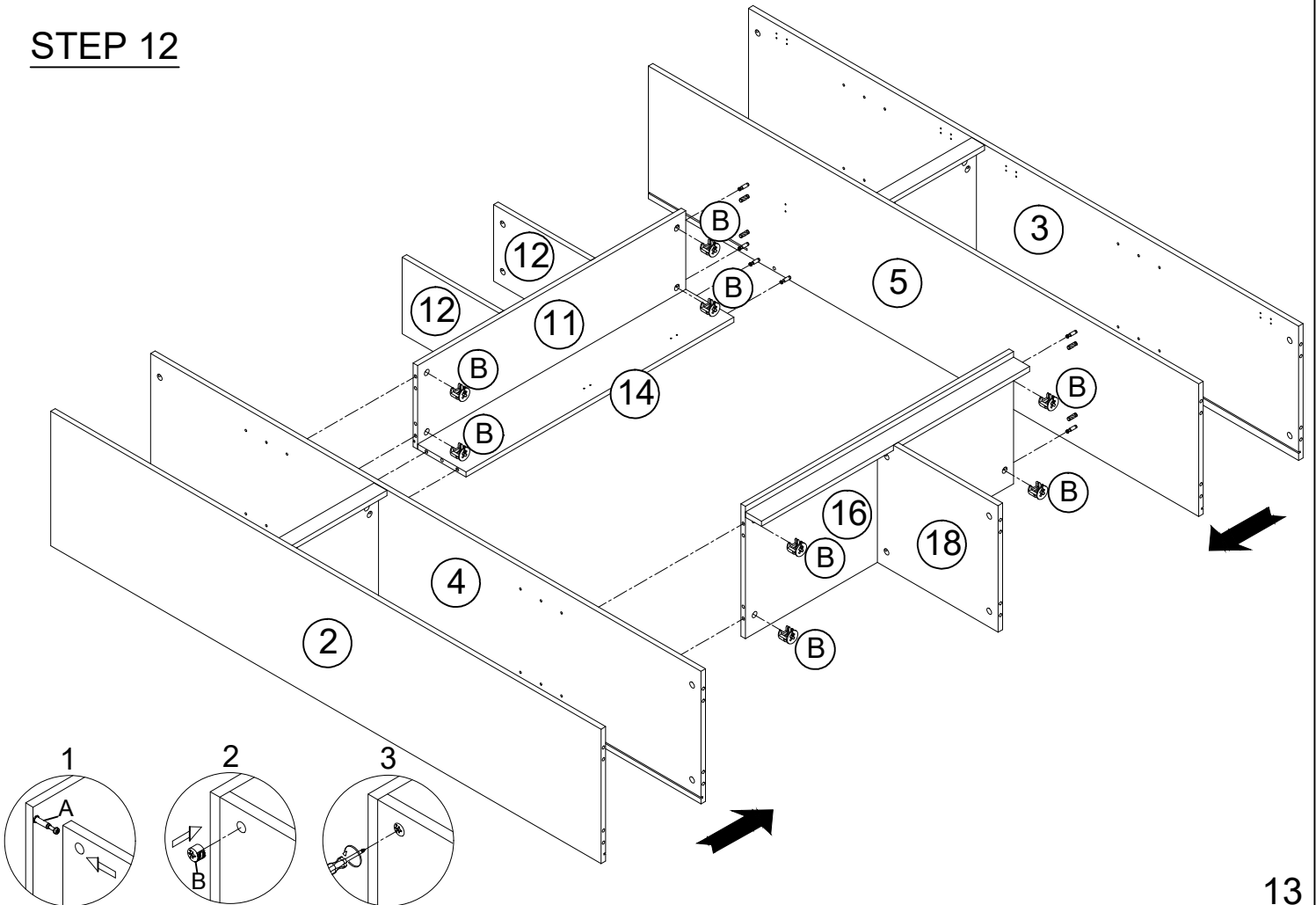
ASSEMBLY INSTRUCTIONS

STEP 11

C  10PCS



STEP 12



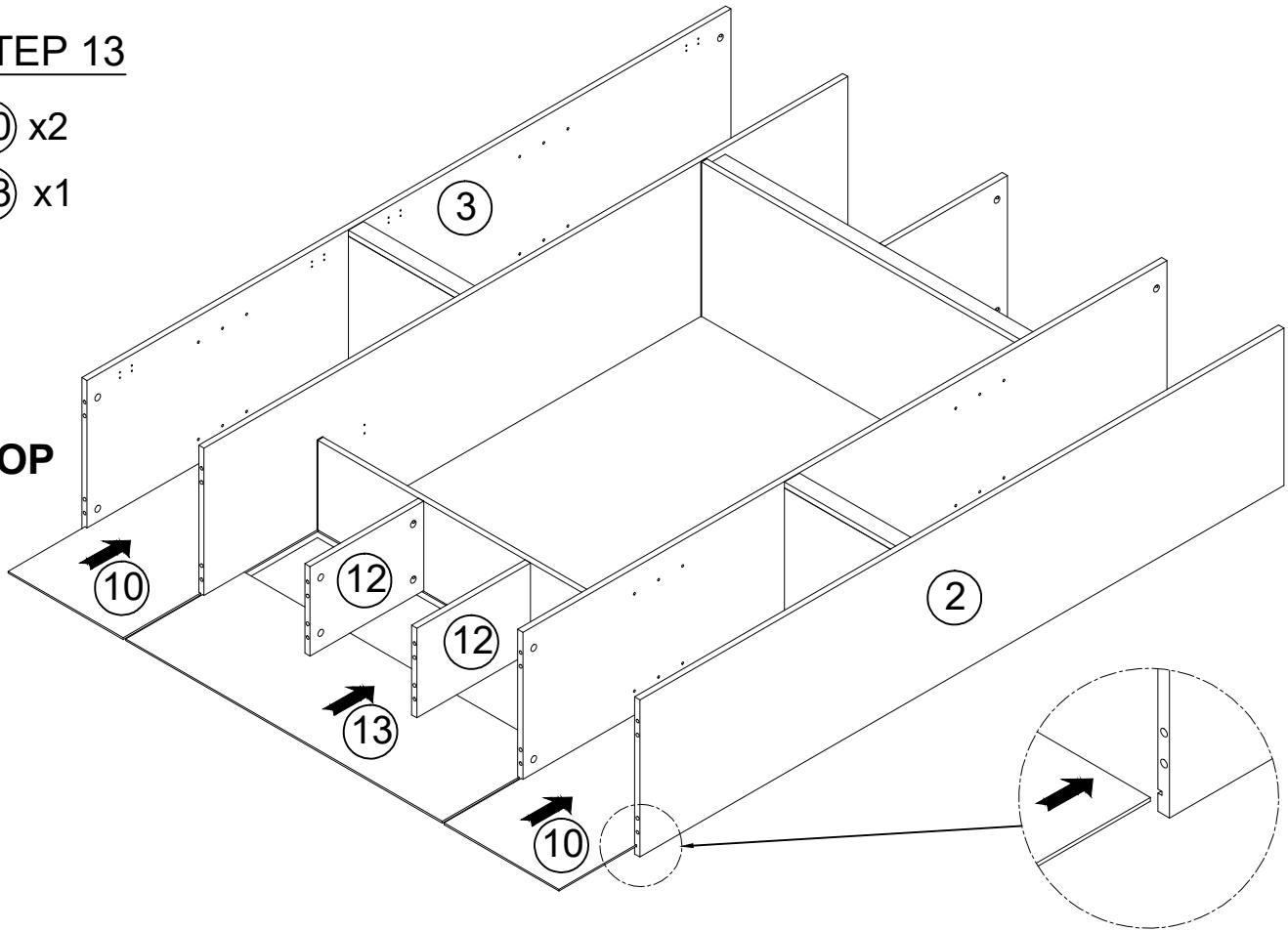
ASSEMBLY INSTRUCTIONS

STEP 13

⑩ x2

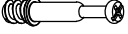

⑬ x1

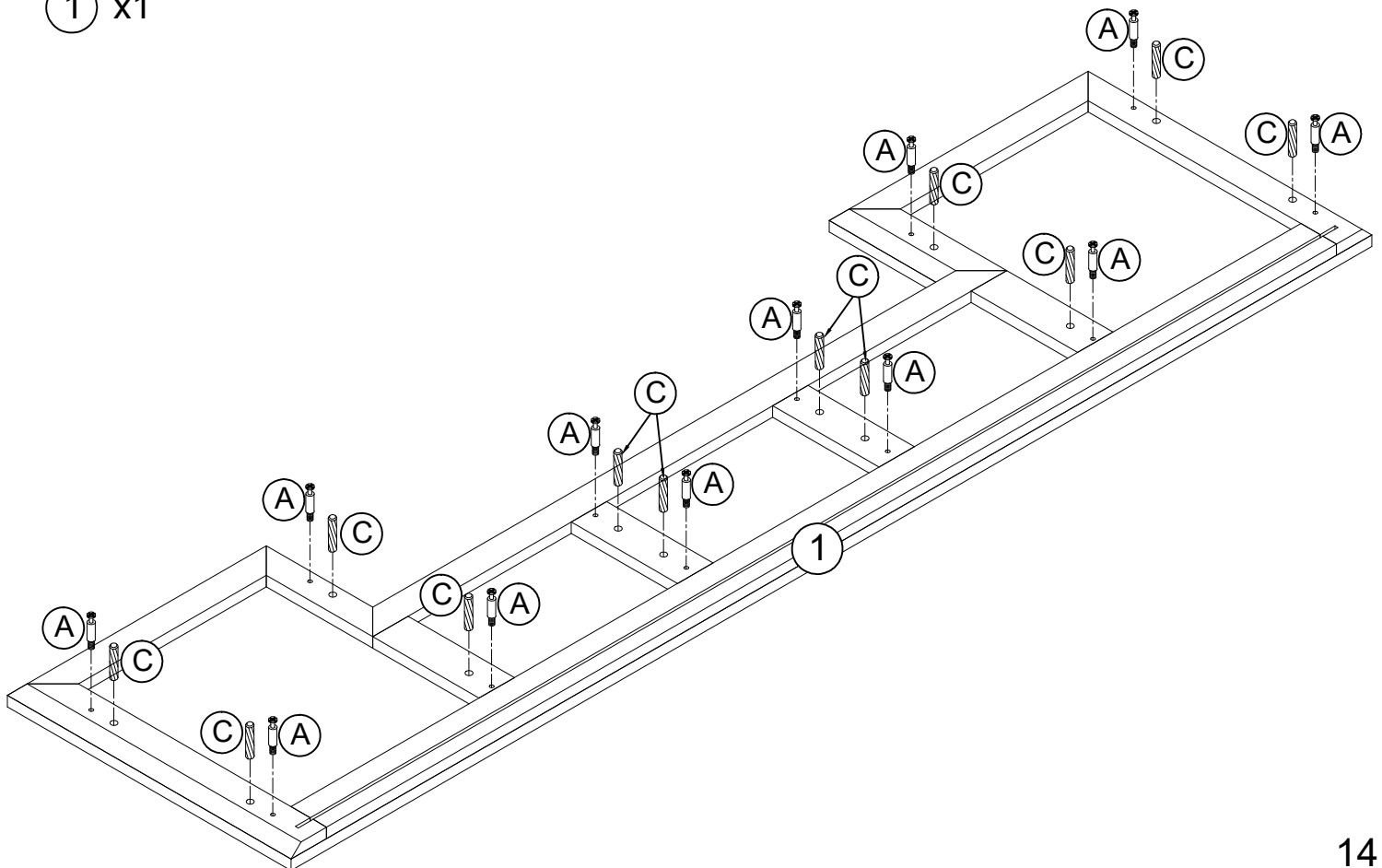
TOP



STEP 14

① x1

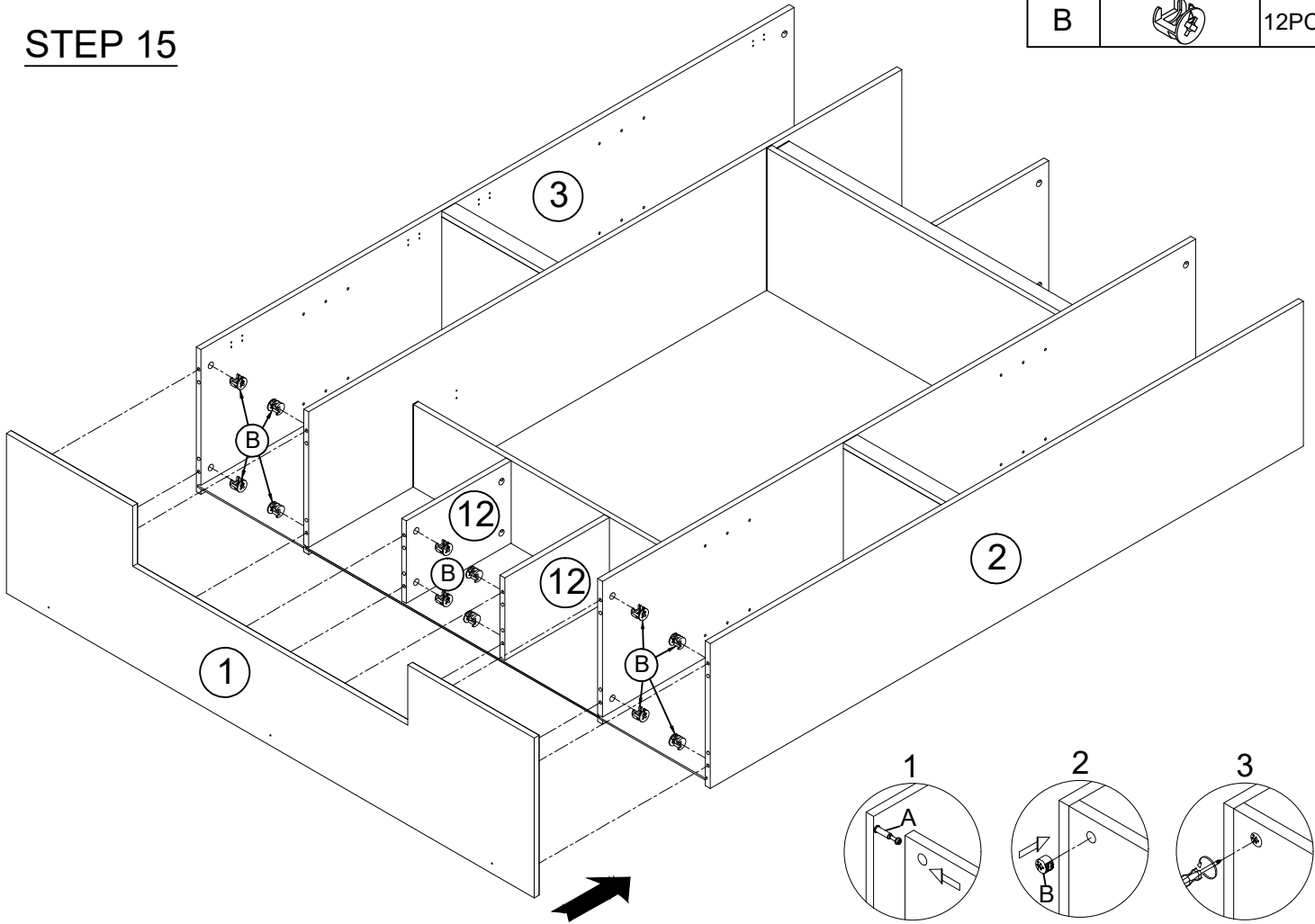
| | | |
|---|---|-------|
| A |  | 12PCS |
| C |  | 12PCS |



ASSEMBLY INSTRUCTIONS

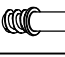
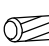
STEP 15

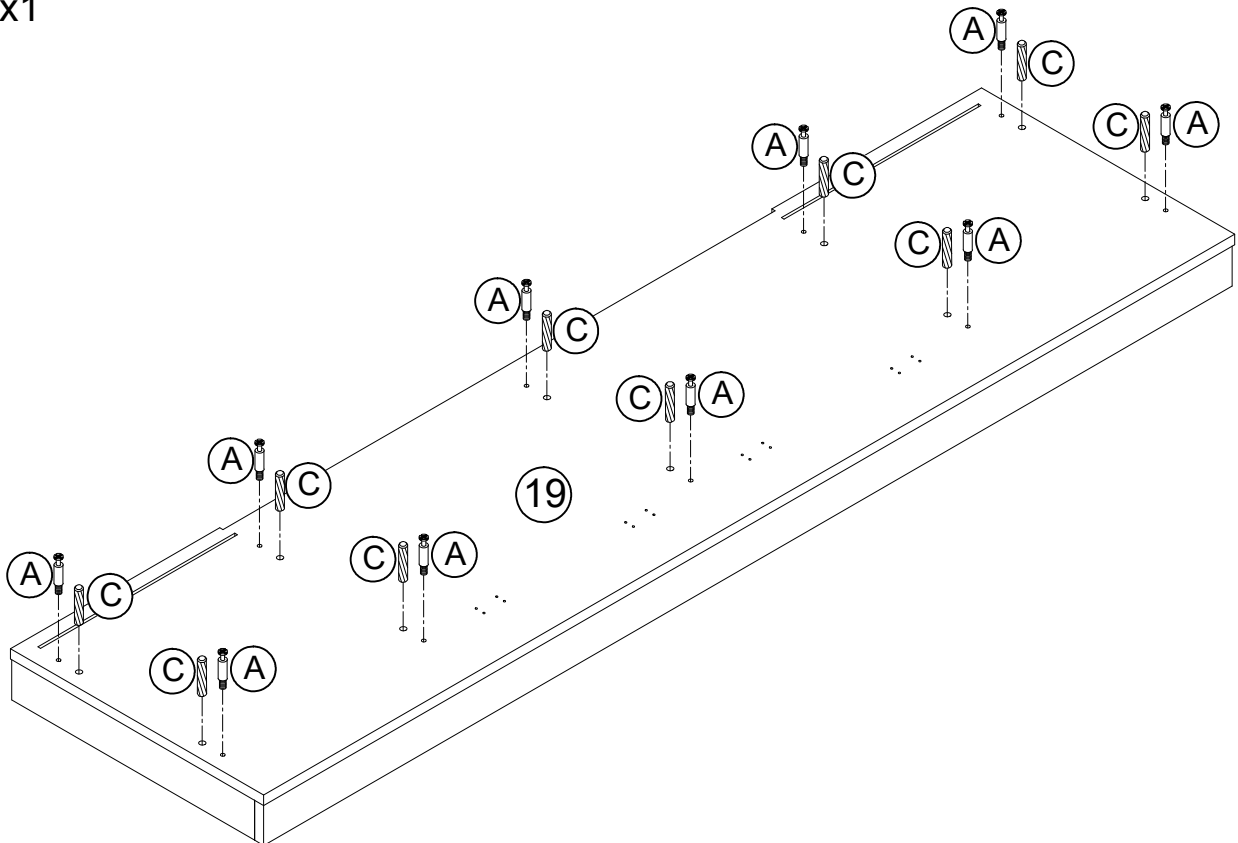
| | | |
|---|---|-------|
| B |  | 12PCS |
|---|---|-------|



STEP 16

19 x1

| | | |
|---|---|-------|
| A |  | 10PCS |
| C |  | 10PCS |



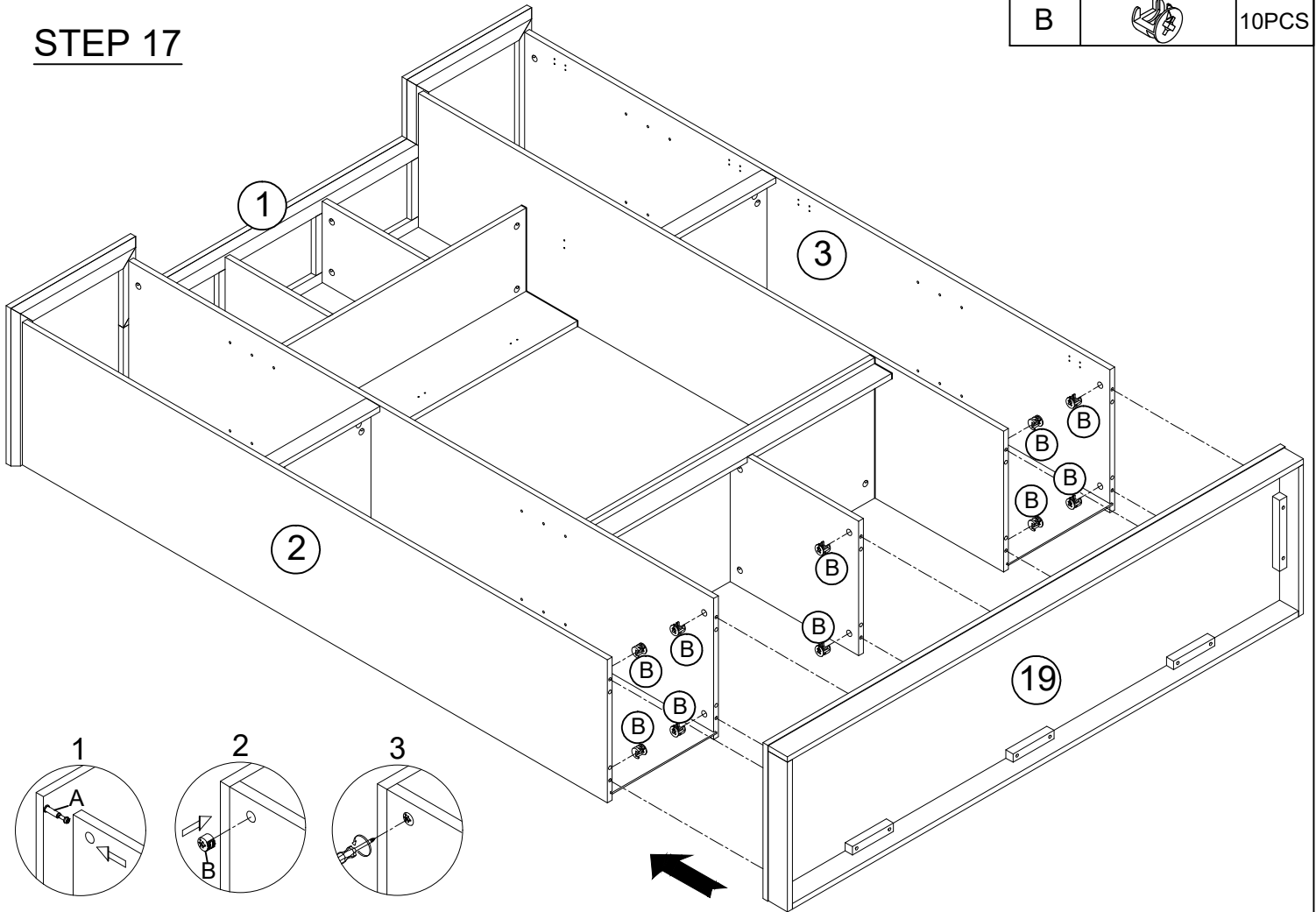
ASSEMBLY INSTRUCTIONS

STEP 17

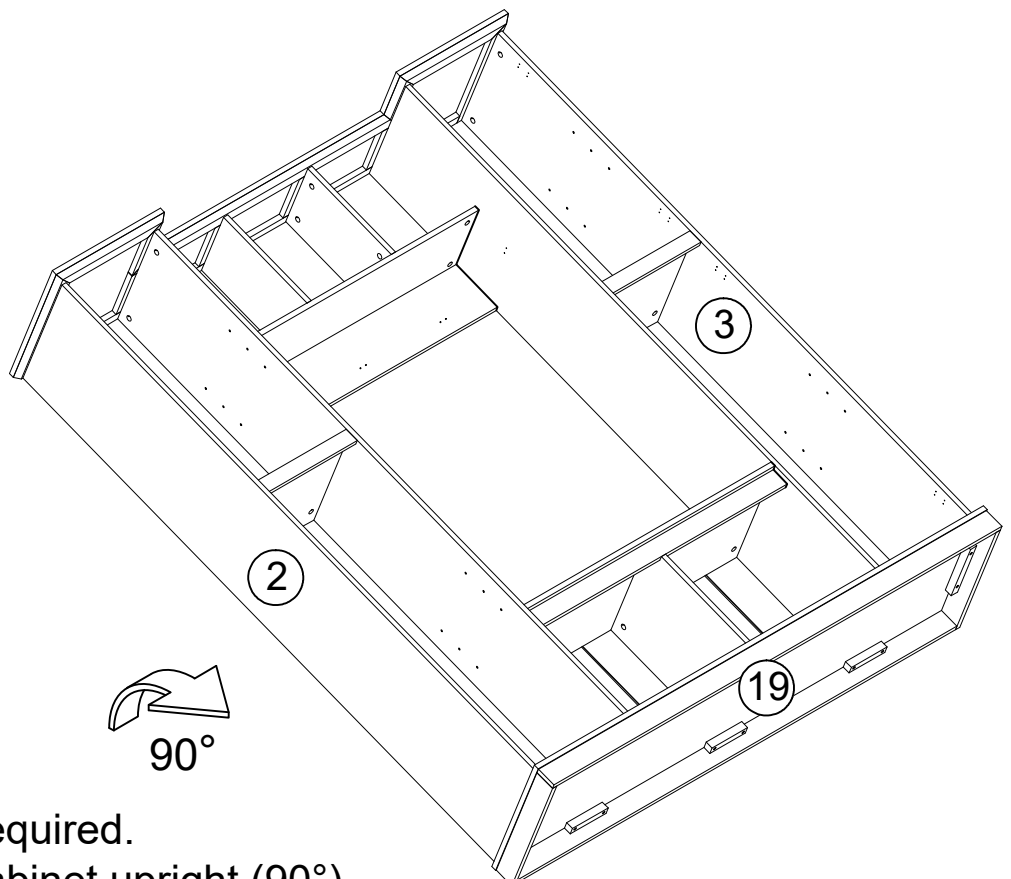
B



10PCS



STEP 18



At least two people required.
Carefully stand the cabinet upright (90°).

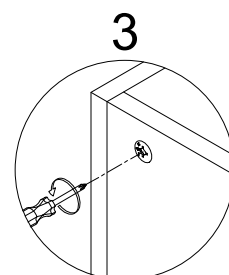
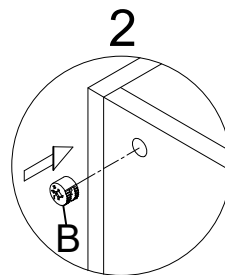
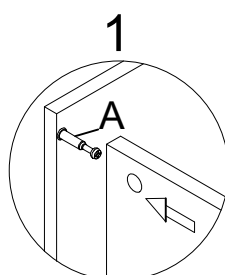
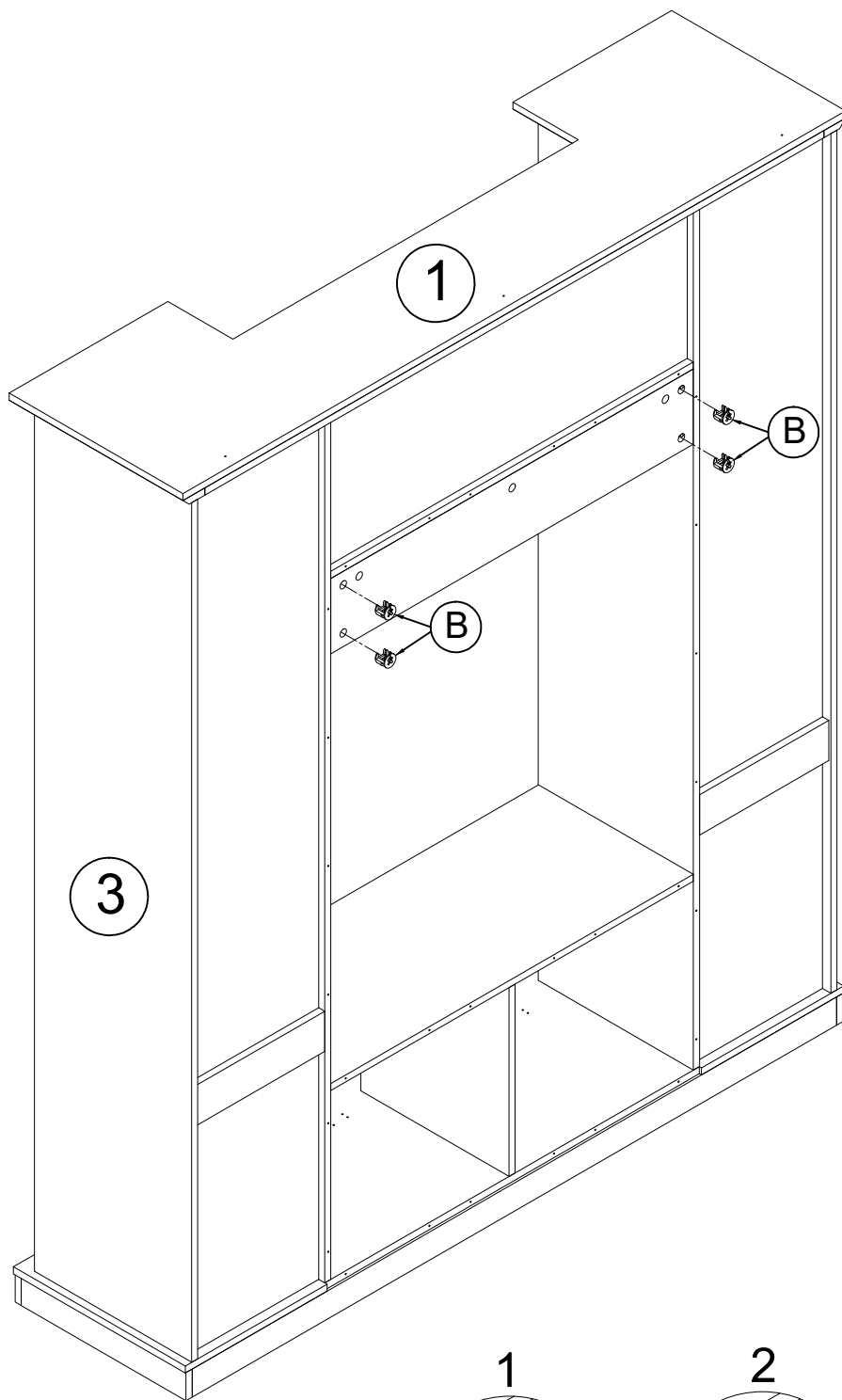
ASSEMBLY INSTRUCTIONS

STEP 19

B



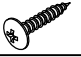
4PCS

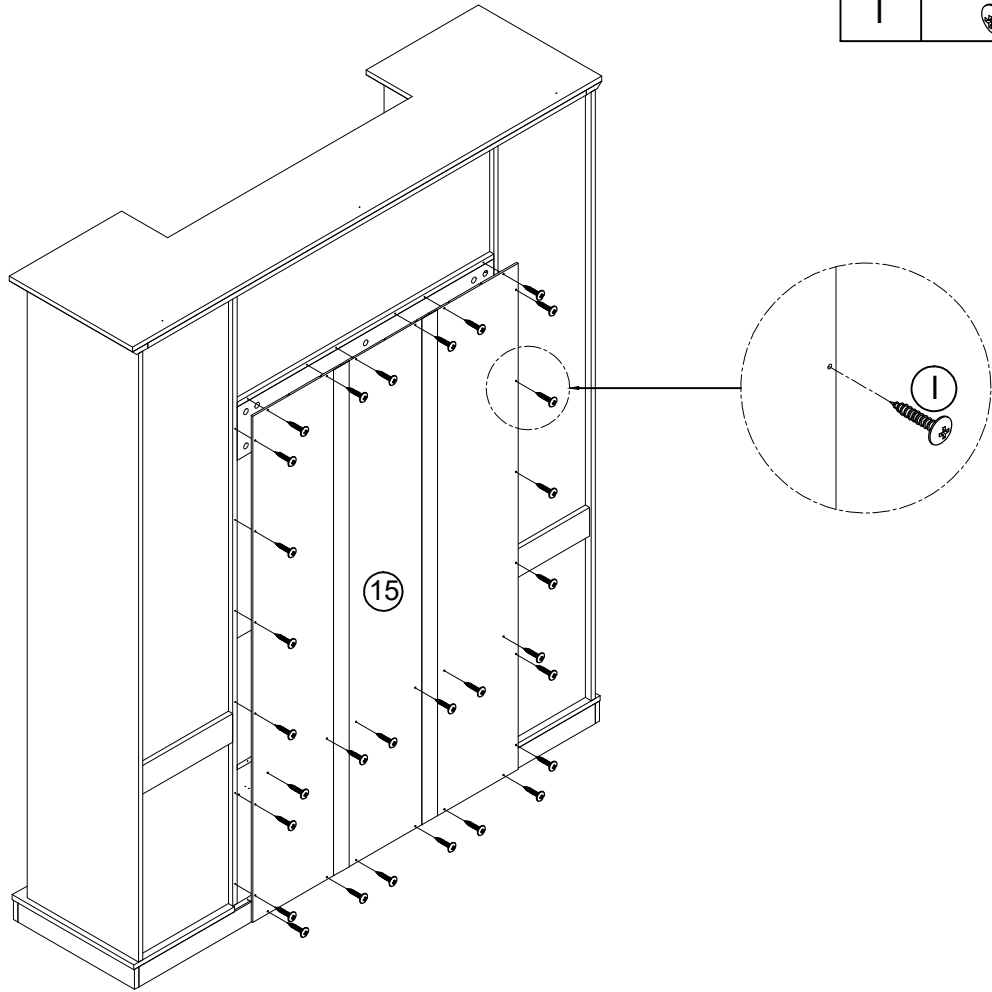


ASSEMBLY INSTRUCTIONS

STEP 20

⑮ x1

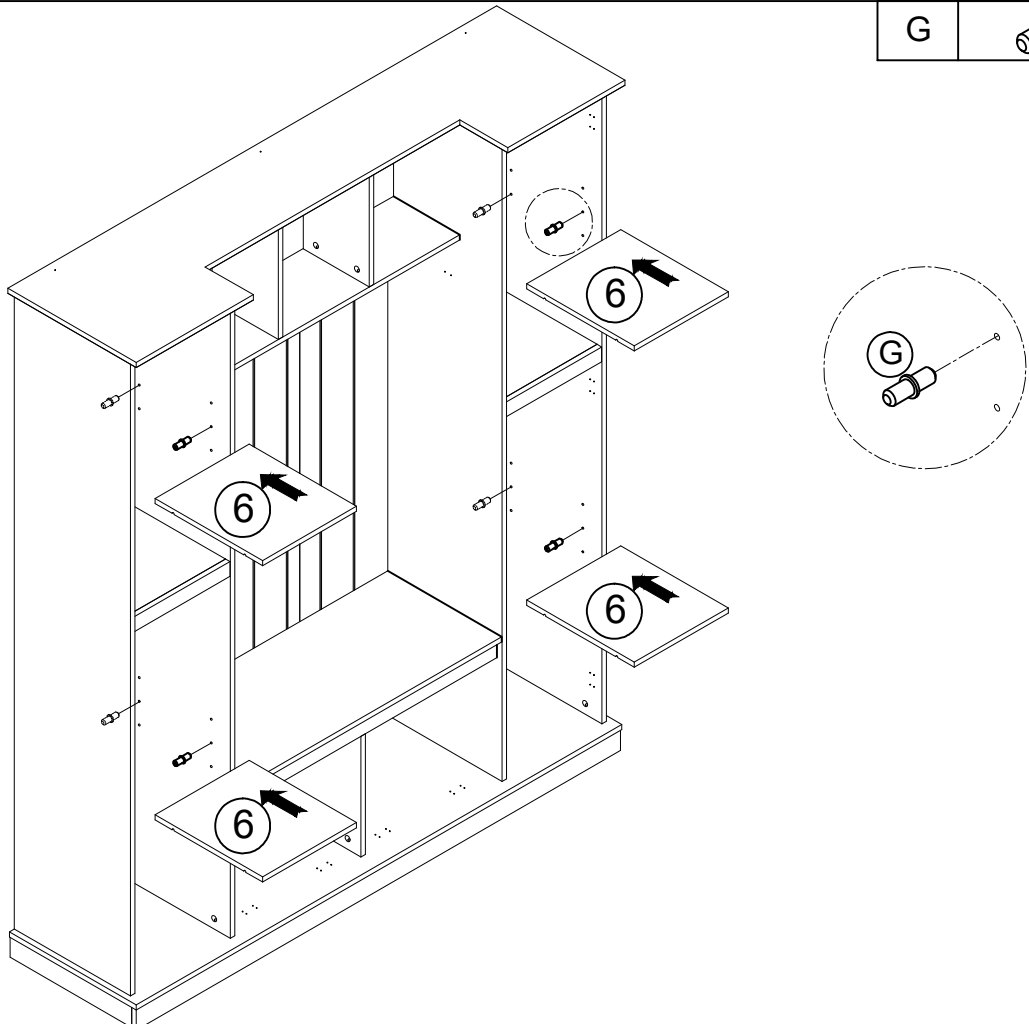
I  30PCS



STEP 21

⑥ x4

G  16PCS



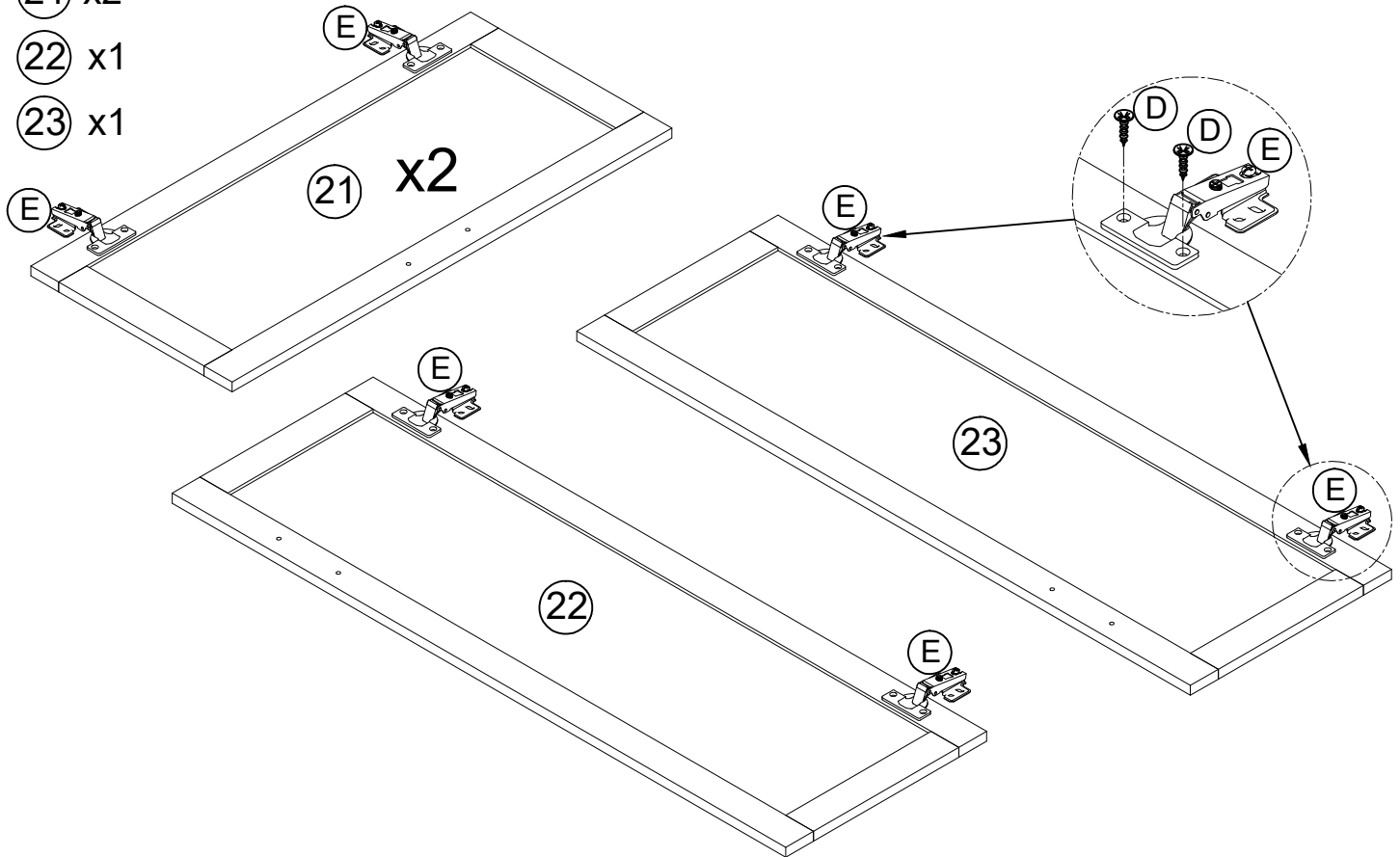
ASSEMBLY INSTRUCTIONS

STEP 22

②1 x2

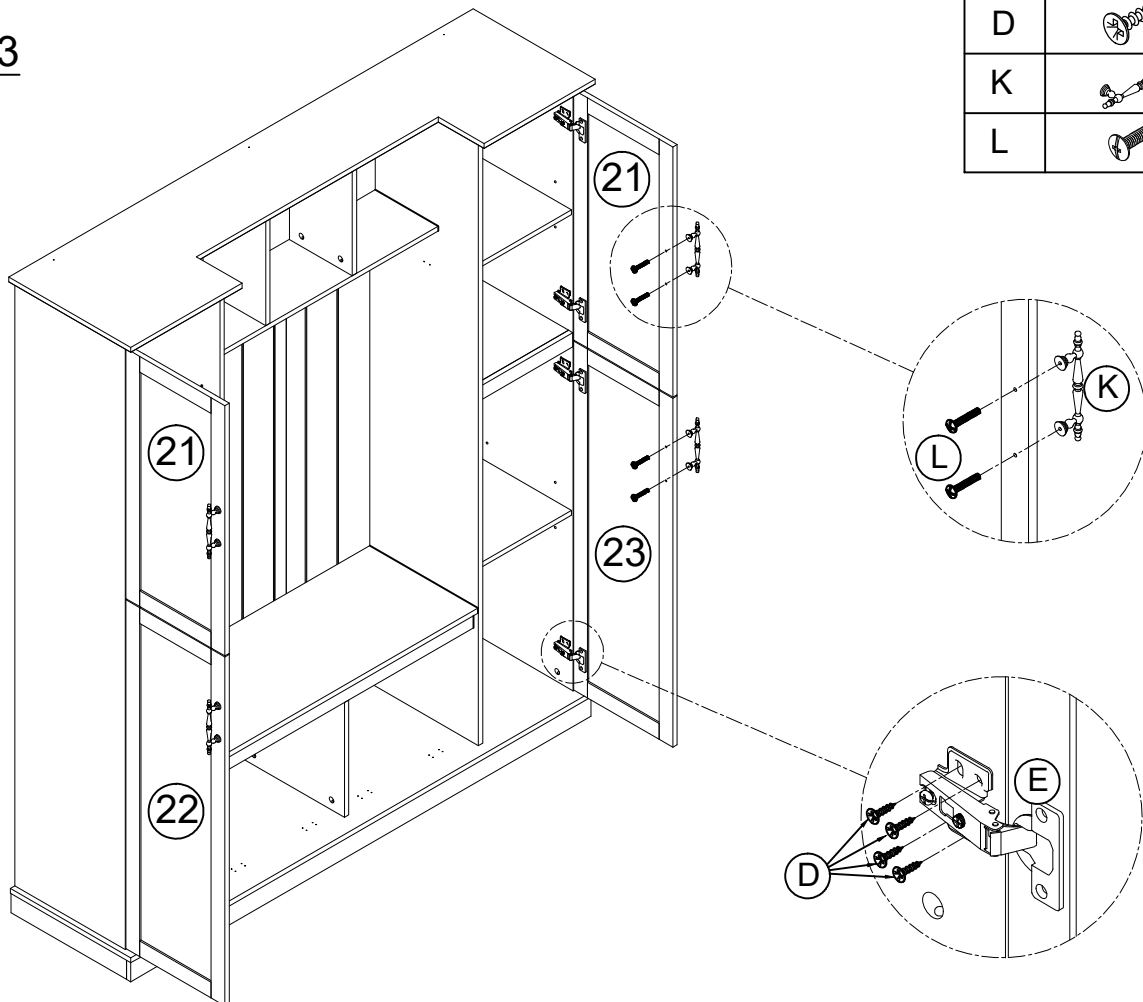
②2 x1

②3 x1



| | | |
|---|--|-------|
| E | | 8PCS |
| D | | 16PCS |

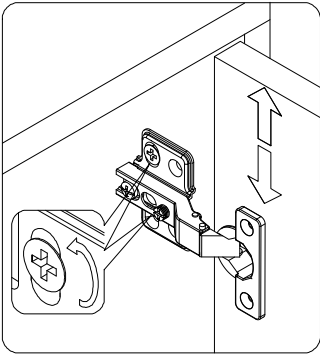
STEP 23



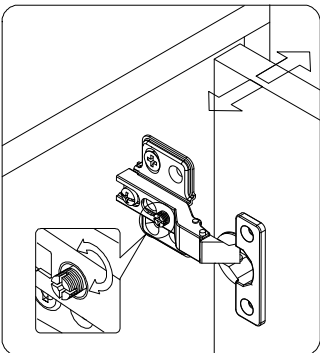
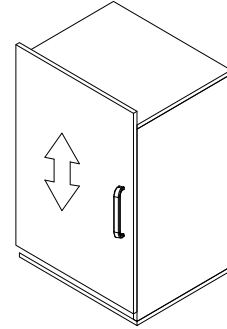
| | | |
|---|--|-------|
| D | | 32PCS |
| K | | 4PCS |
| L | | 8PCS |

ASSEMBLY INSTRUCTIONS

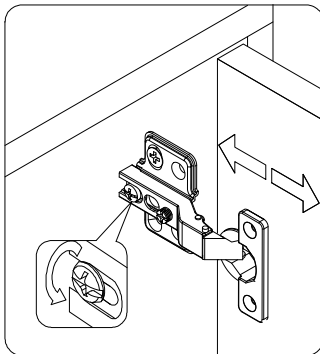
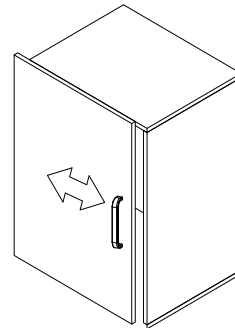
When the hinges are installed, you can refer to the pictures to adjust the screws of the doors till it's perfect.



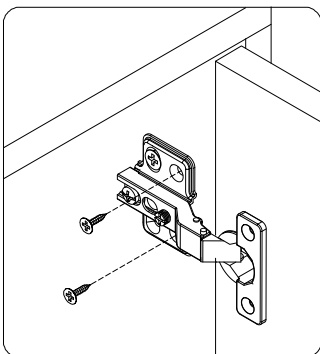
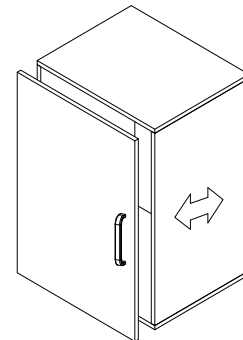
1. Adjust the screws shown in Figure 1 to adjust the door up and down.



2. Adjust the screws shown in Figure 2 to adjust the door left and right to the right position.



3. Adjust the screws shown in Figure 3 and pull the door back and forth so that it can be opened smoothly.

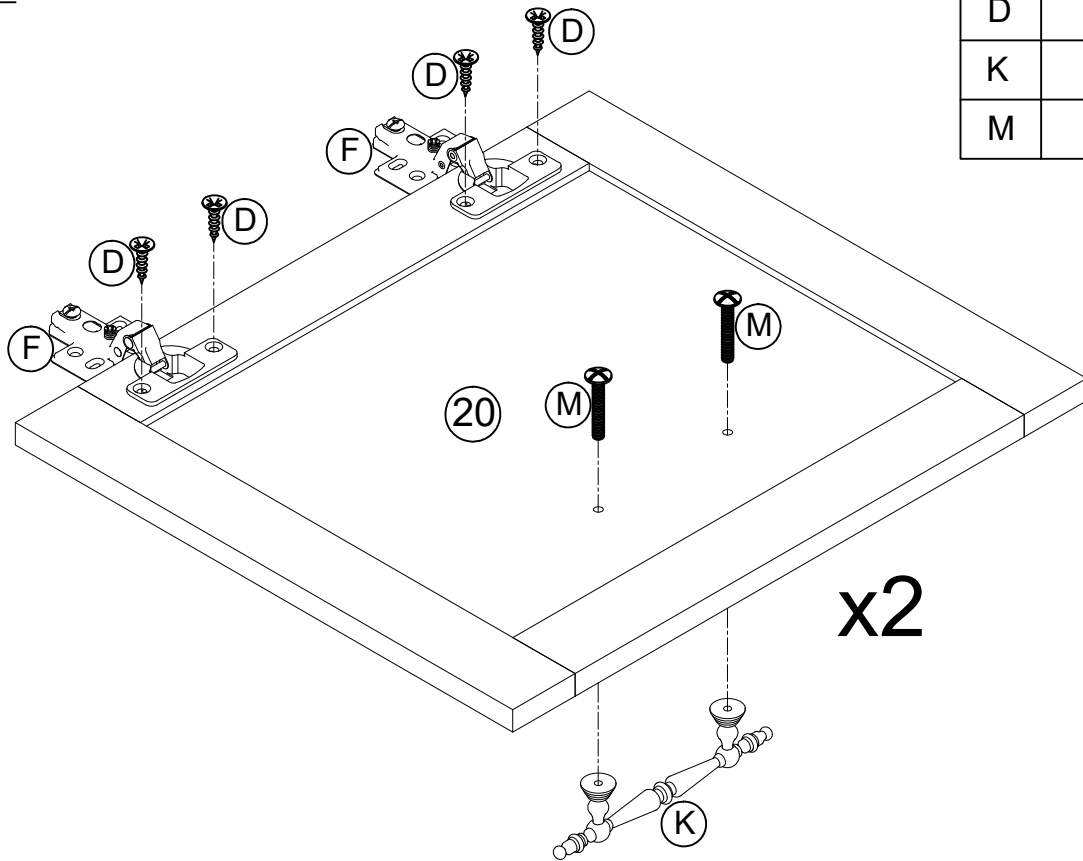


4. After the adjustment is complete, secure the remaining two screws to secure the door in place.

ASSEMBLY INSTRUCTIONS

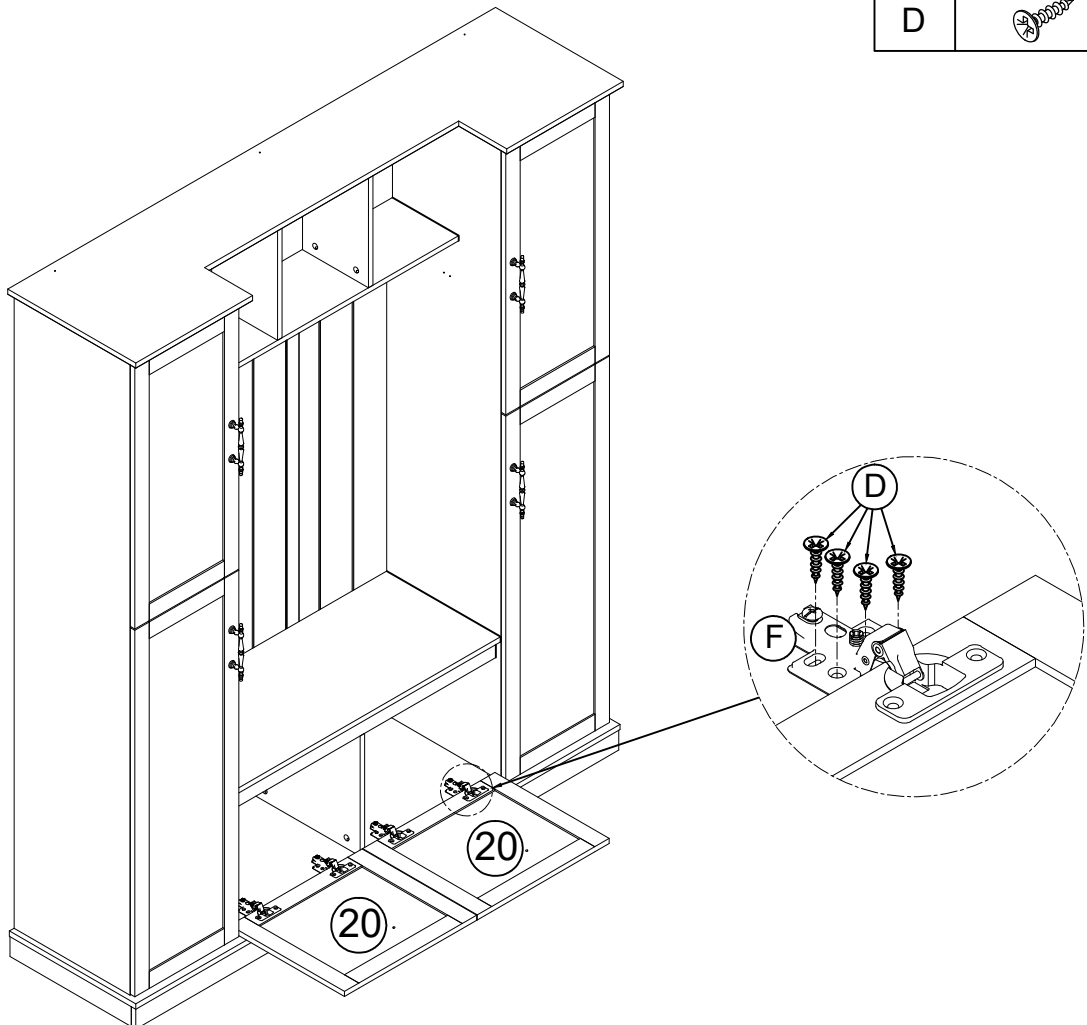
STEP 24

(20) x2



| | | |
|---|--|------|
| F | | 4PCS |
| D | | 8PCS |
| K | | 2PCS |
| M | | 4PCS |



STEP 25

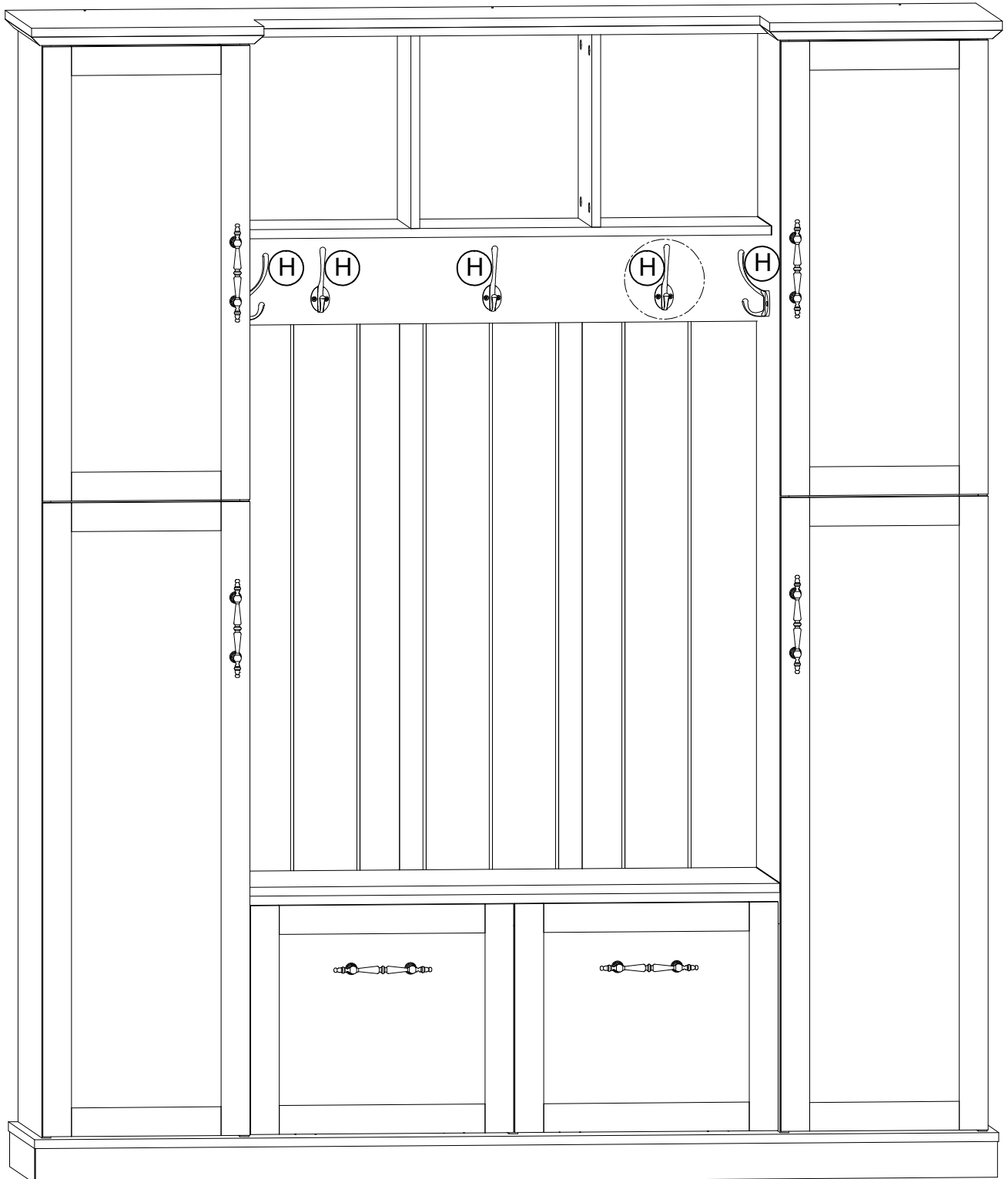
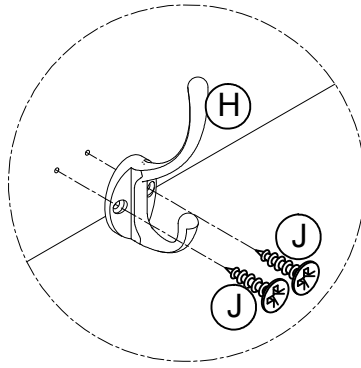


| | | |
|---|--|-------|
| D | | 16PCS |
|---|--|-------|

ASSEMBLY INSTRUCTIONS

STEP 26

| | | |
|---|---|-------|
| H |  | 5PCS |
| J |  | 10PCS |



ASSEMBLY INSTRUCTIONS

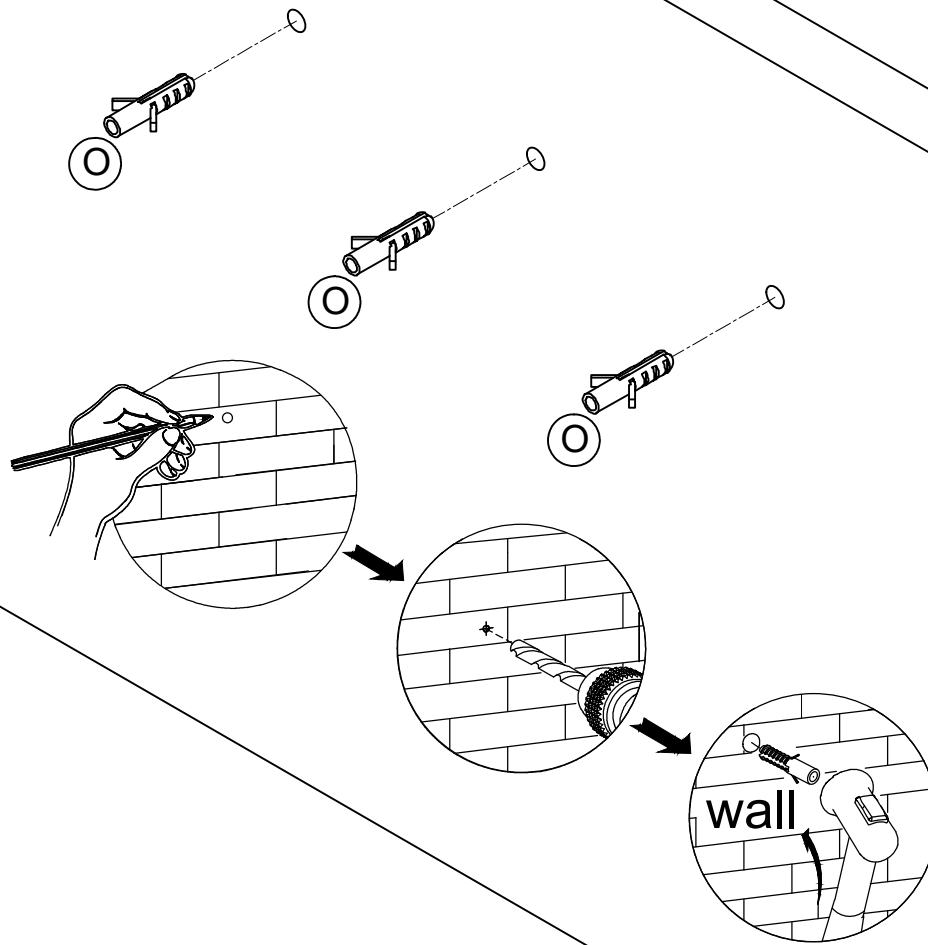
STEP 27

O



3PCS

WALL






Step 1: Determine the location of the anti-overturning on the wall and then mark the position.

Step 2: Drill the hole and then fix the wall plug (O) on the wall.

ASSEMBLY INSTRUCTIONS

STEP 28

| | | |
|---|---|------|
| Q |  | 3PCS |
| I |  | 3PCS |
| P |  | 3PCS |

