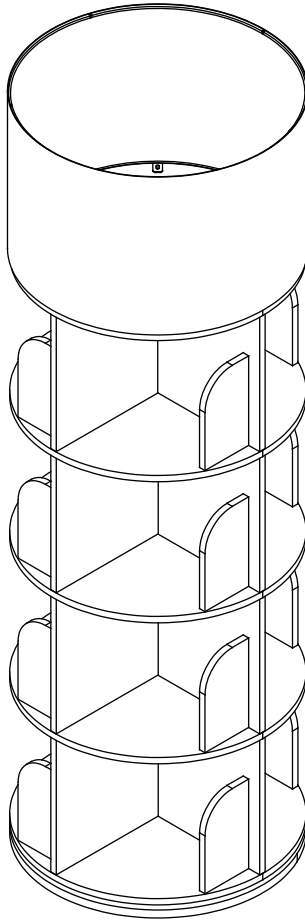


# 4 Tier Rotating Bookshelf



## General Guidelines

Please read the following instruction carefully and use the product accordingly. Please keep this manual and hand it over when you transfer the product. This summary may not include every detail of all variations and considered steps. Please contact us when further information and help are needed.

## Notes

It is recommended that two persons assemble the product. Please strictly adhere to the assembly steps.

During assembly, align all screws with the corresponding pre-drilled holes first and then tighten the screw one by one.

The item is intended to be used indoors. Don't place it in humid areas for long time to prevent mildew.

Avoid sharp objects or corrosive chemicals to prevent damage to the product.

## Warnings

Children are not allowed to assemble the product. During assembly, keep all parts and packaging materials away from children as there could be injury and potential choking hazards.

Children are not allowed to stand, climb or play on the product to avoid serious bodily injury by the toppling.

Never use the product if any part is missing or defective. Otherwise, there will be a hazard.

The product must be fixed to the wall with the included anti-toppling fitting during use to avoid accidental injury.

The maximum load capacity of each shelf is 5kg (11lbs). Do not place overweight items on it.

“

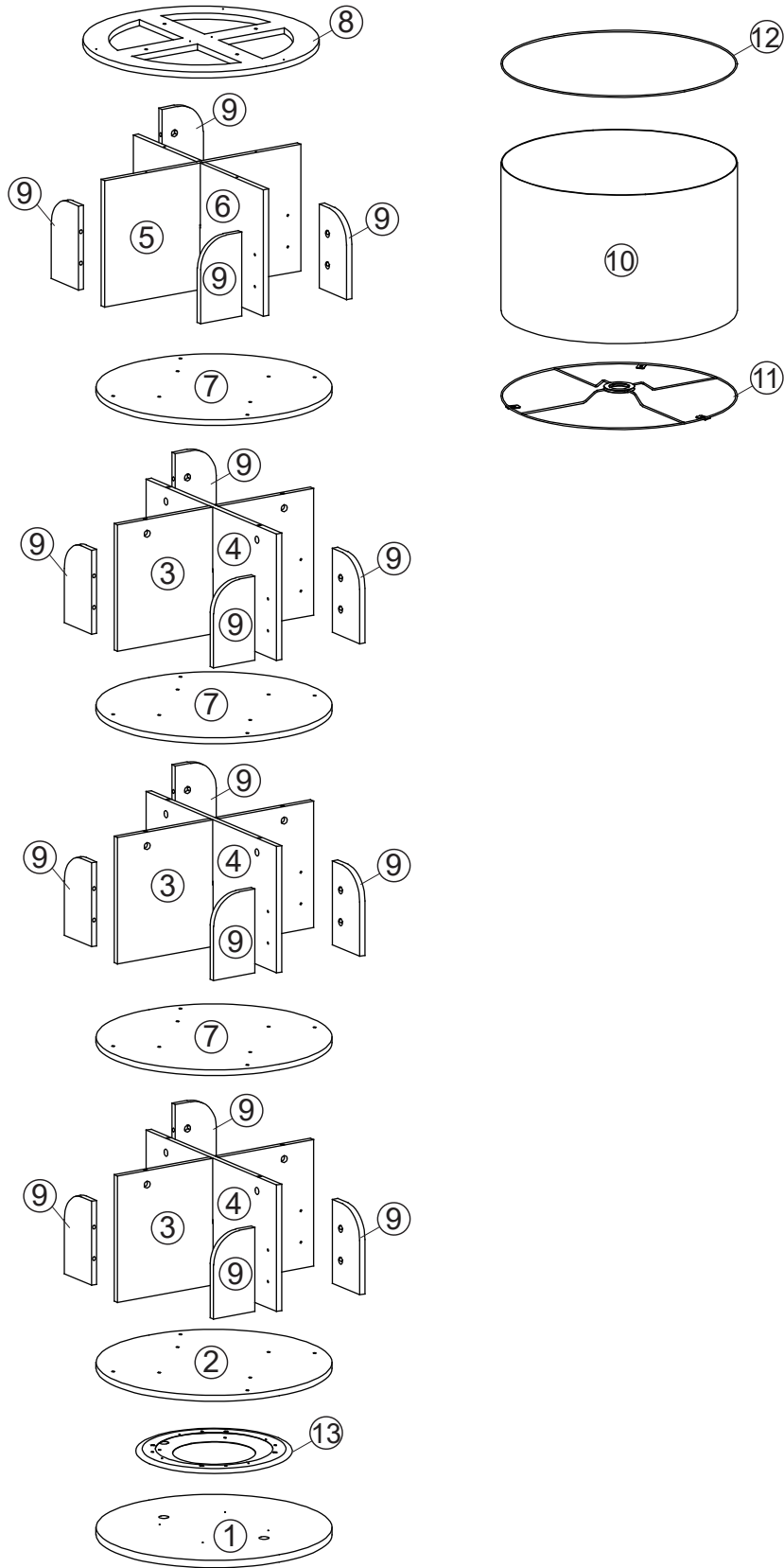
## Warm Reminder



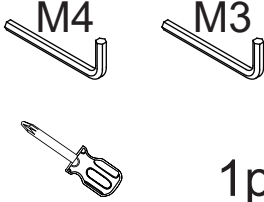
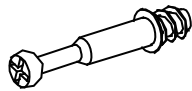
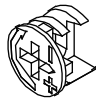
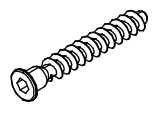

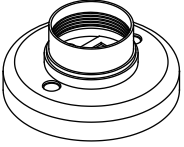
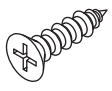
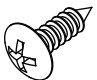
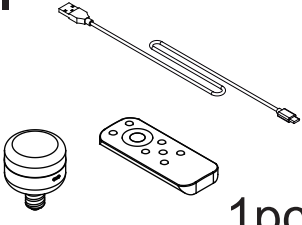

If you experience any issues with our product (including missing parts, damage, installation issues, or not meeting expectations), please contact us. We'll ensure satisfactory assistance within 24 hours.

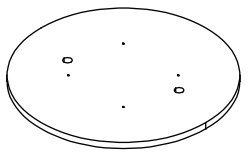
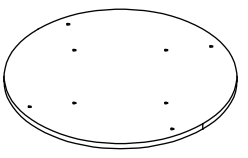
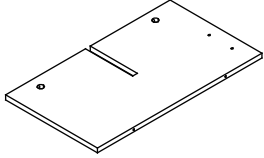
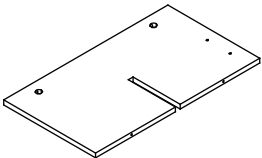
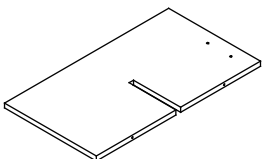
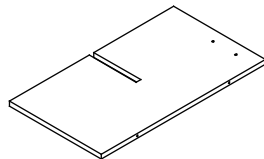
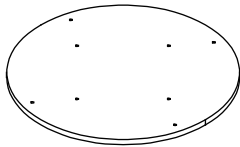
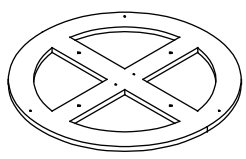
”

# Parts List

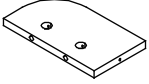
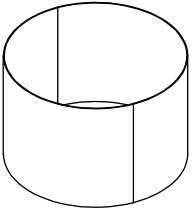
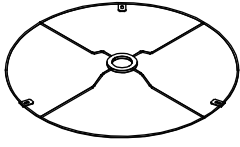
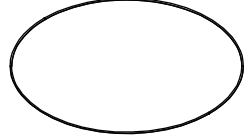
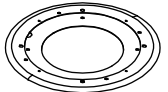


# Hardware List



<p><b>A</b></p>  <p>M4 M3 1pc</p>	<p><b>B</b></p>  <p>44+2pcs</p>	<p><b>C</b></p>  <p>44+2pcs</p>	<p><b>D</b></p>  <p>M5x40mm 36+2pcs</p>
<p><b>E</b></p>  <p>M5x10mm 4pcs</p>	<p><b>F</b></p>  <p>1pc</p>	<p><b>G</b></p>  <p>M3x14mm 2pcs</p>	<p><b>H</b></p>  <p>M4x12mm 7pcs</p>
<p><b>I</b></p>  <p>1pc</p>	<p><b>J</b></p>  <p>4pcs</p>		

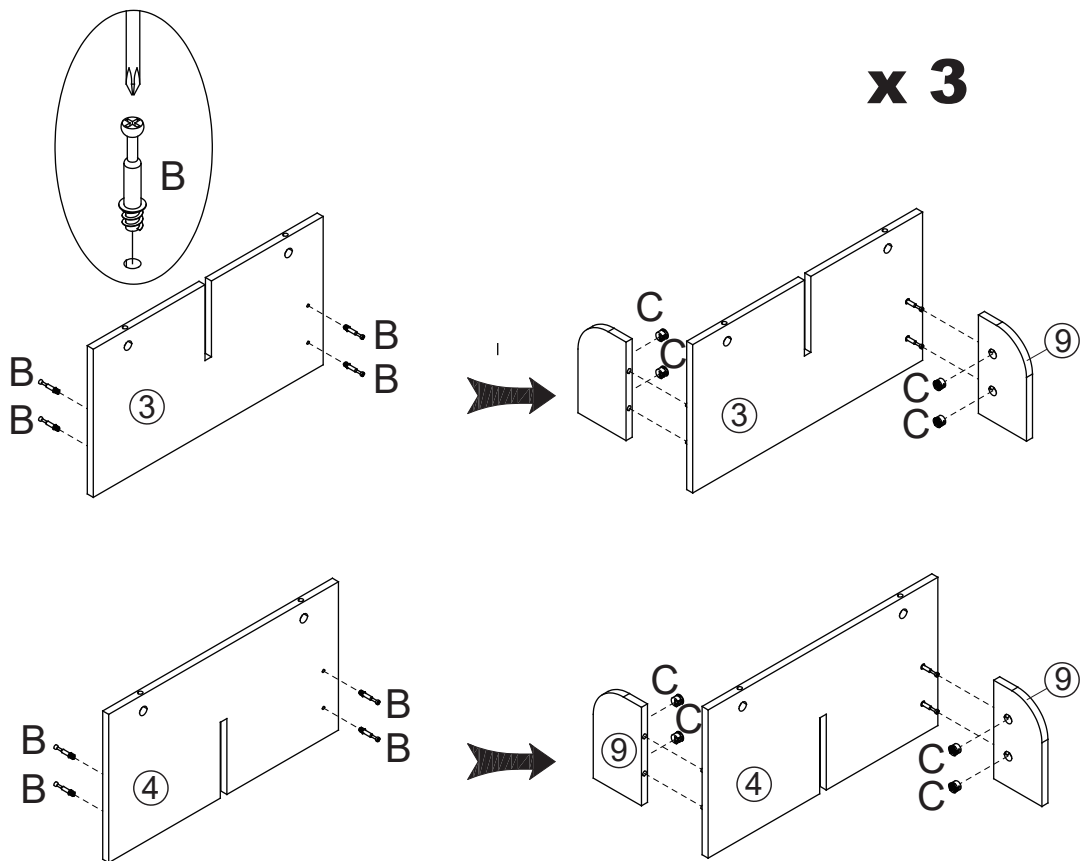
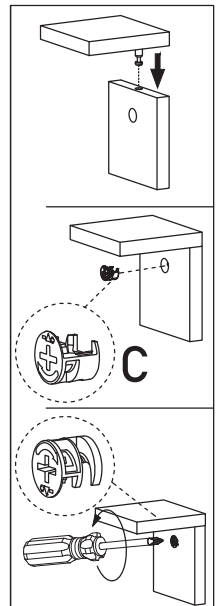
<p>①</p>  <p>1pc</p>	<p>②</p>  <p>1pc</p>	<p>③</p>  <p>3pcs</p>	<p>④</p>  <p>3pcs</p>
<p>⑤</p>  <p>1pc</p>	<p>⑥</p>  <p>1pc</p>	<p>⑦</p>  <p>3pcs</p>	<p>⑧</p>  <p>1pc</p>

# Hardware List

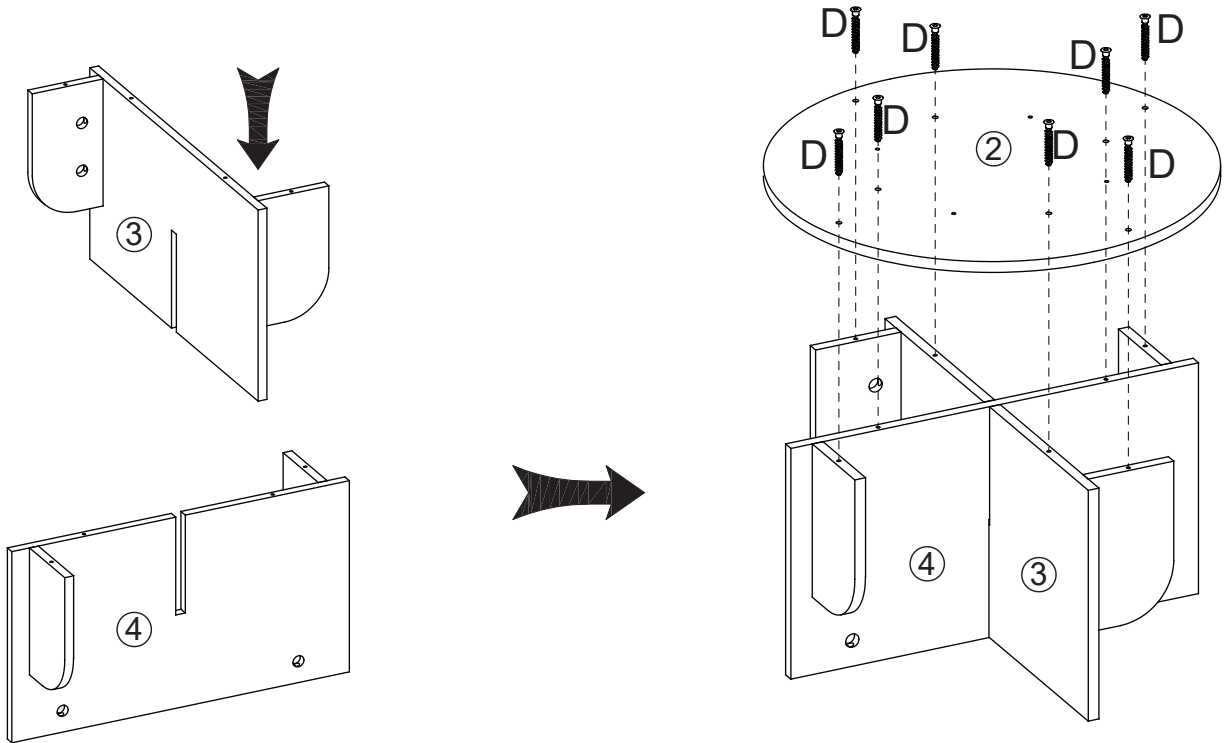
<p>⑨</p>  <p>16pcs</p>	<p>⑩</p>  <p>1pc</p>	<p>⑪</p>  <p>1pc</p>	<p>⑫</p>  <p>1pc</p>
<p>⑬</p>  <p>1pc</p>			

## Step 1

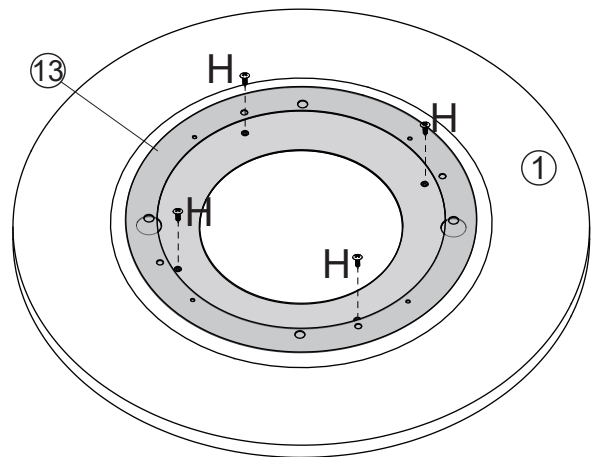
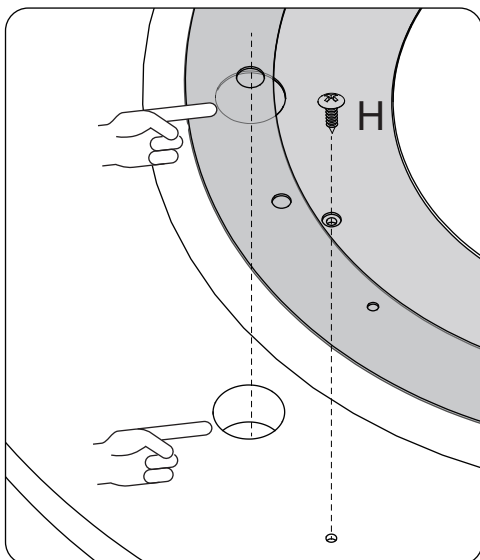
	<p>B X 24</p>
	<p>C X 24</p>



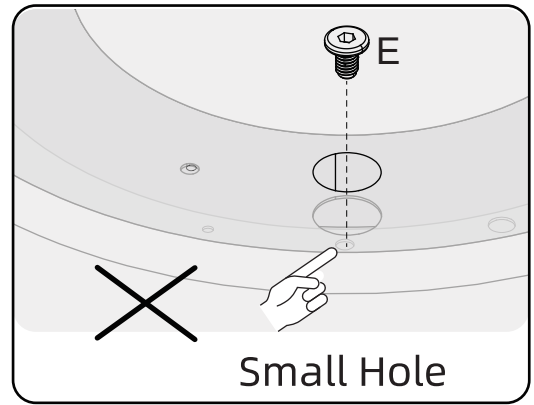
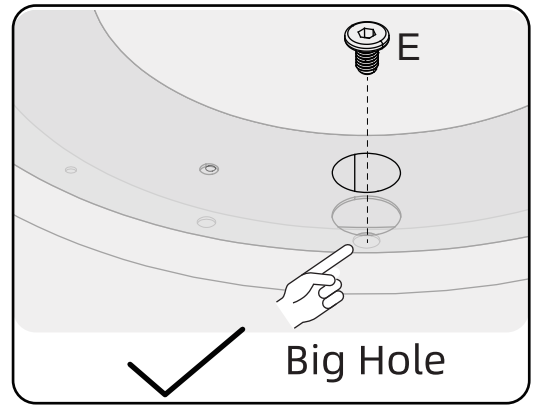
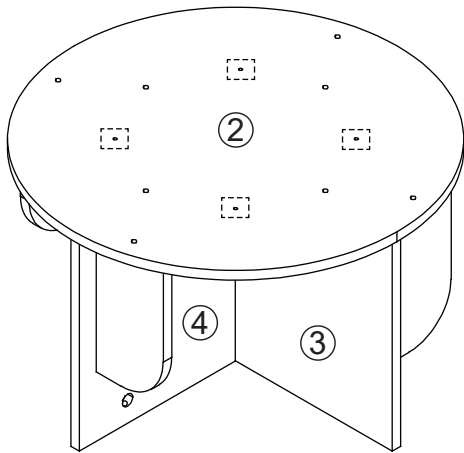
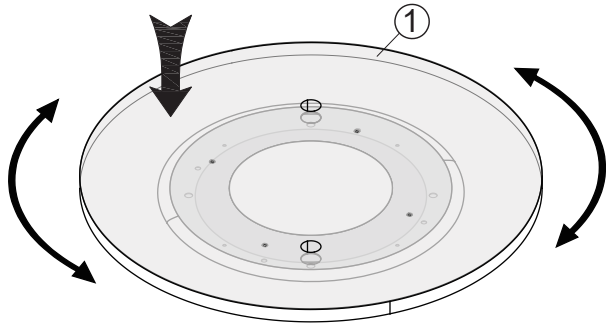
## Step 2



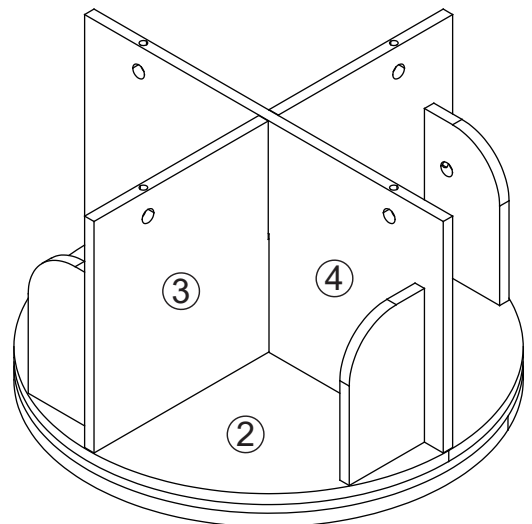
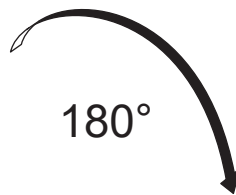
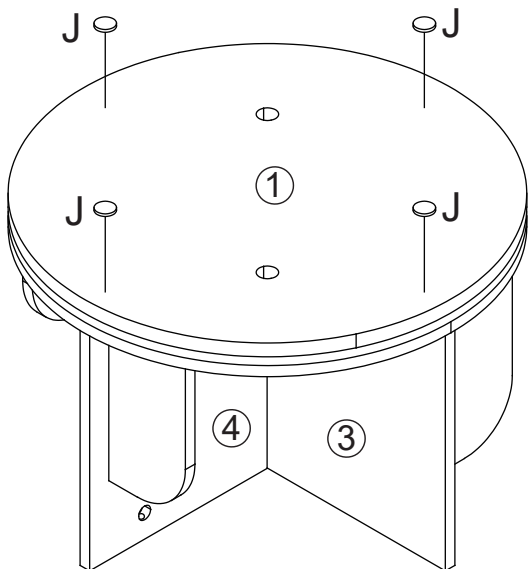
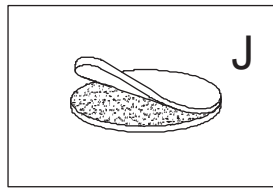
## Step 3



# Step 4



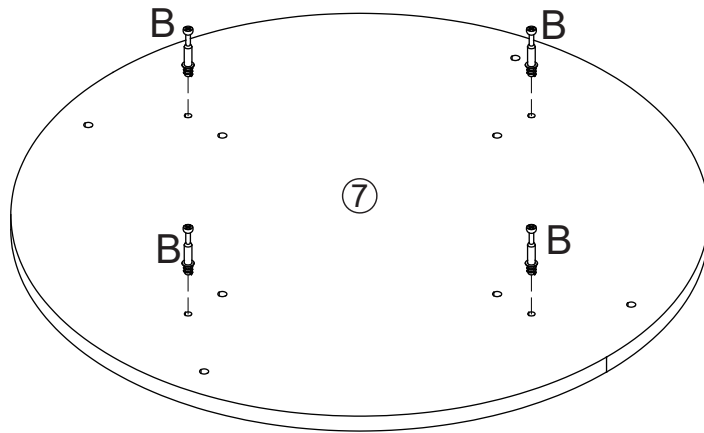
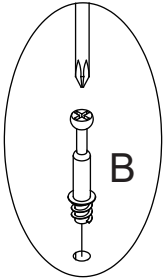
# Step 5



# Step 6



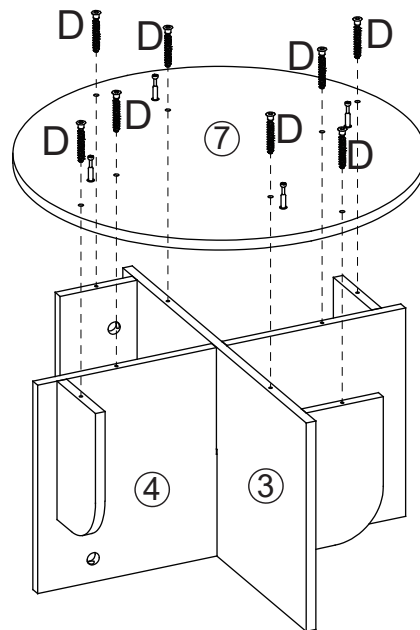
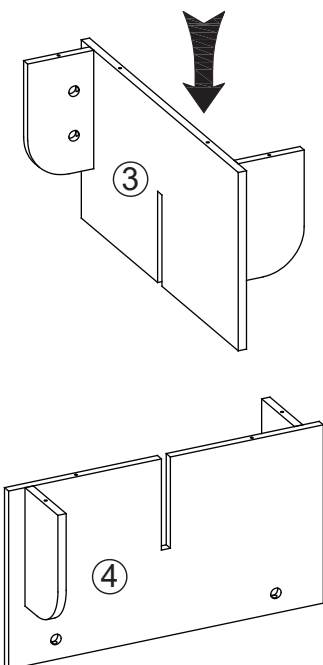
x 3



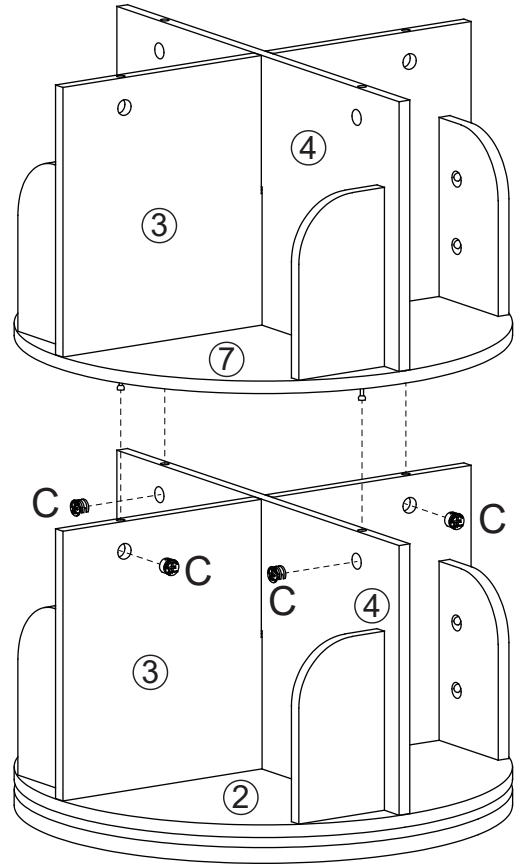
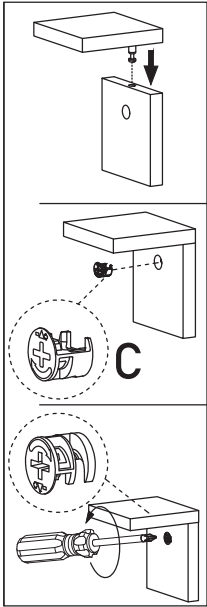
# Step 7



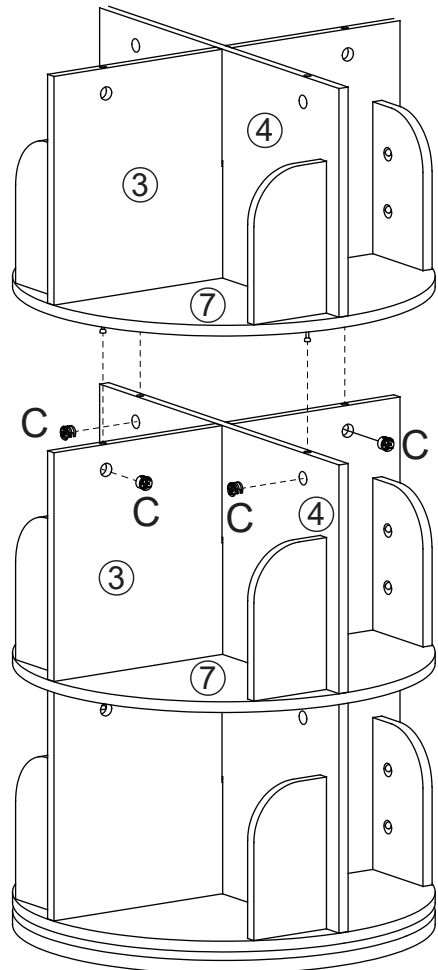
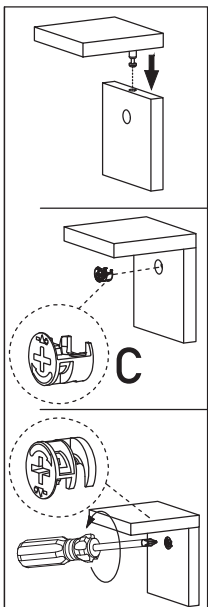
x 2





# Step 8

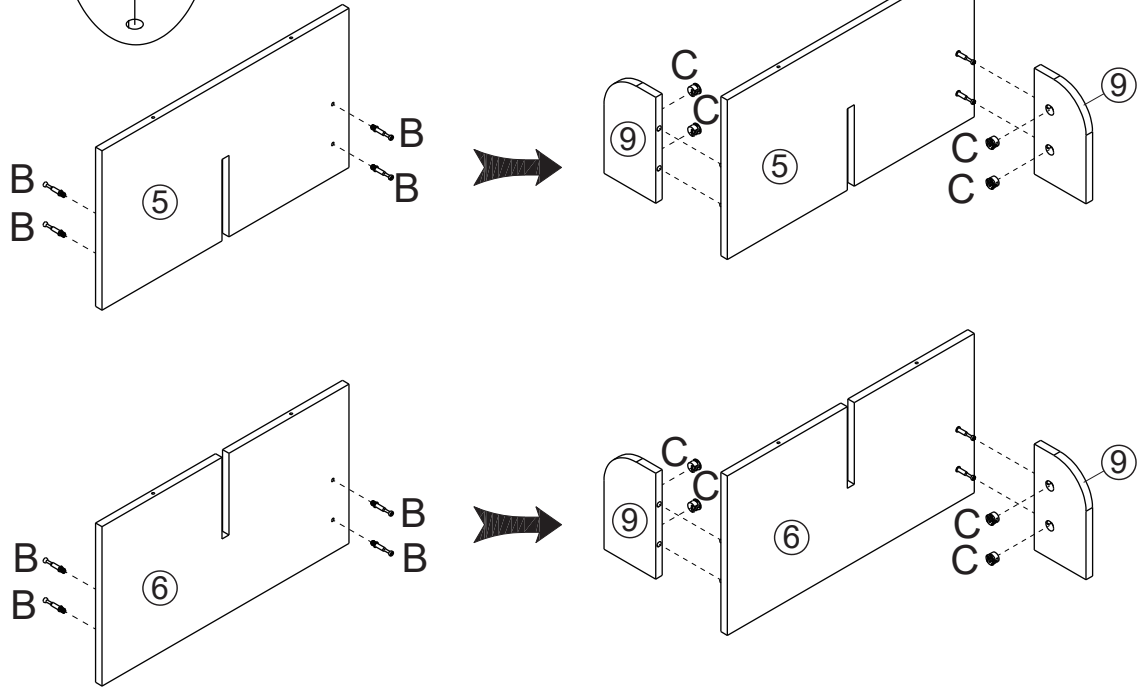
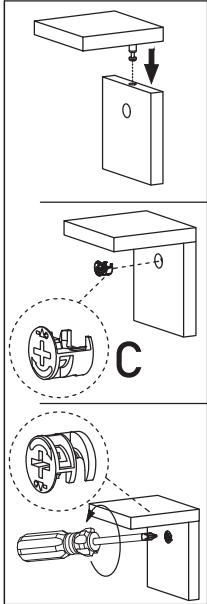
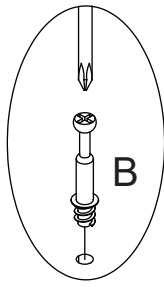


# Step 9



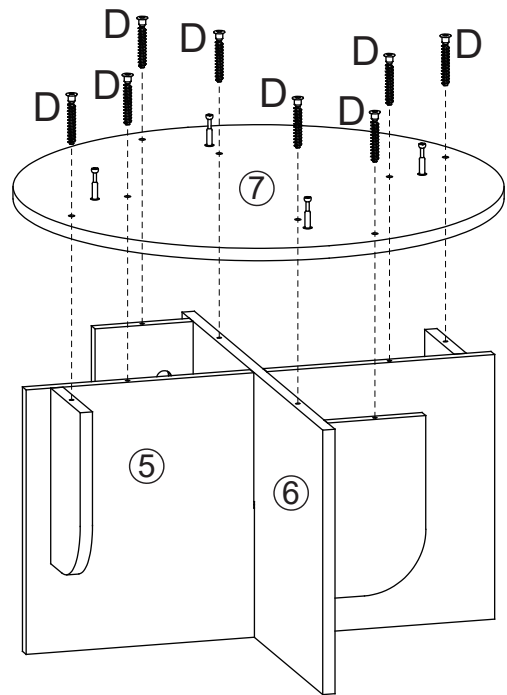
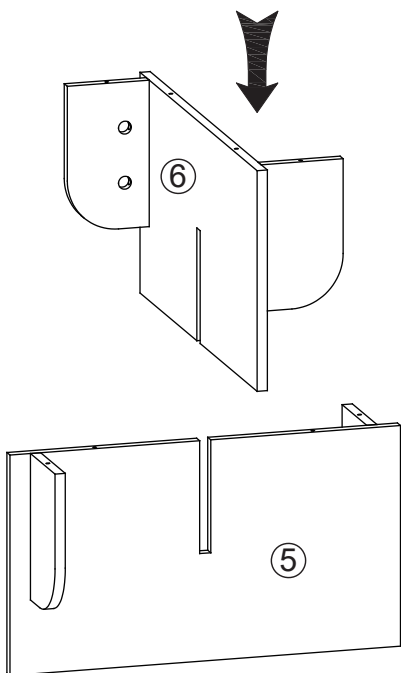
# Step 10

	B X 8
	C X 8

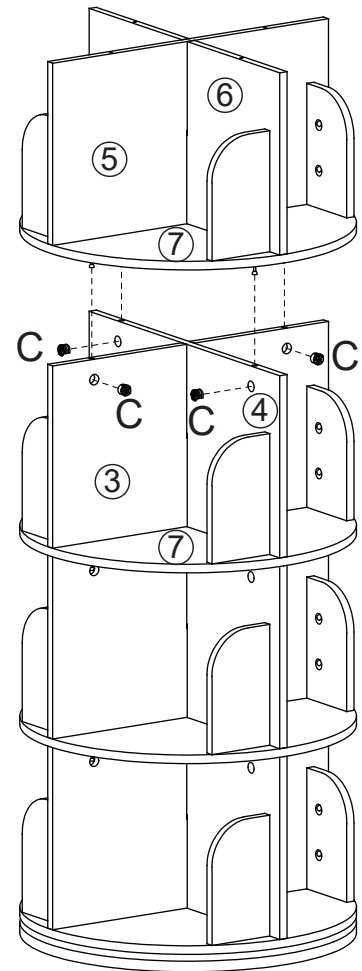
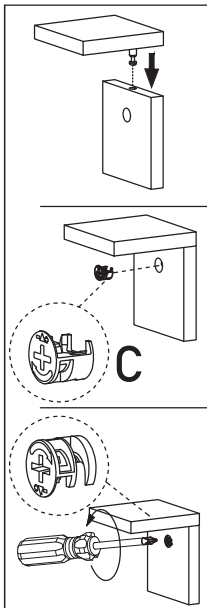


# Step 11

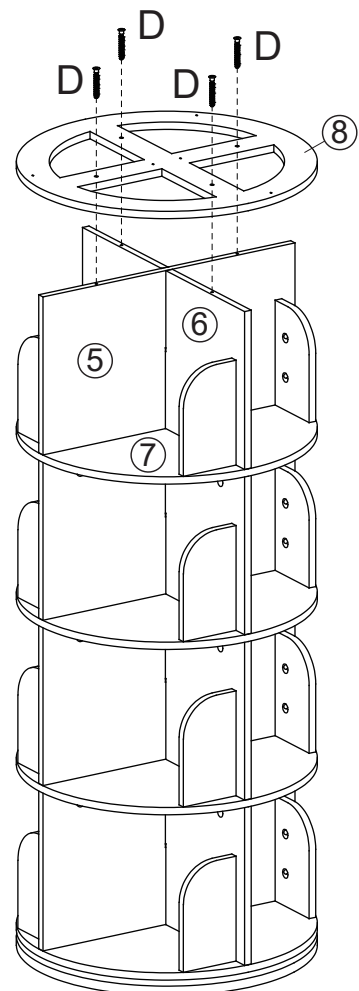
	D X 8
---	-------





# Step 12

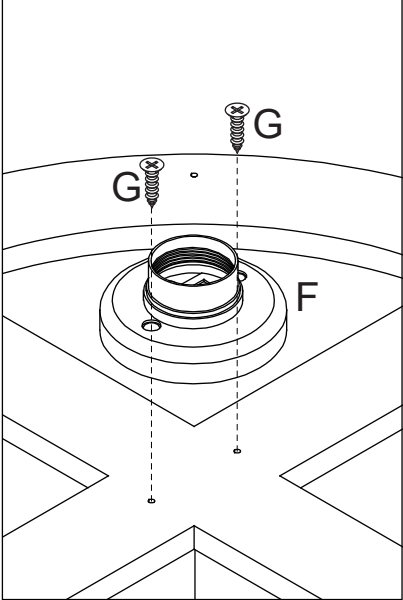
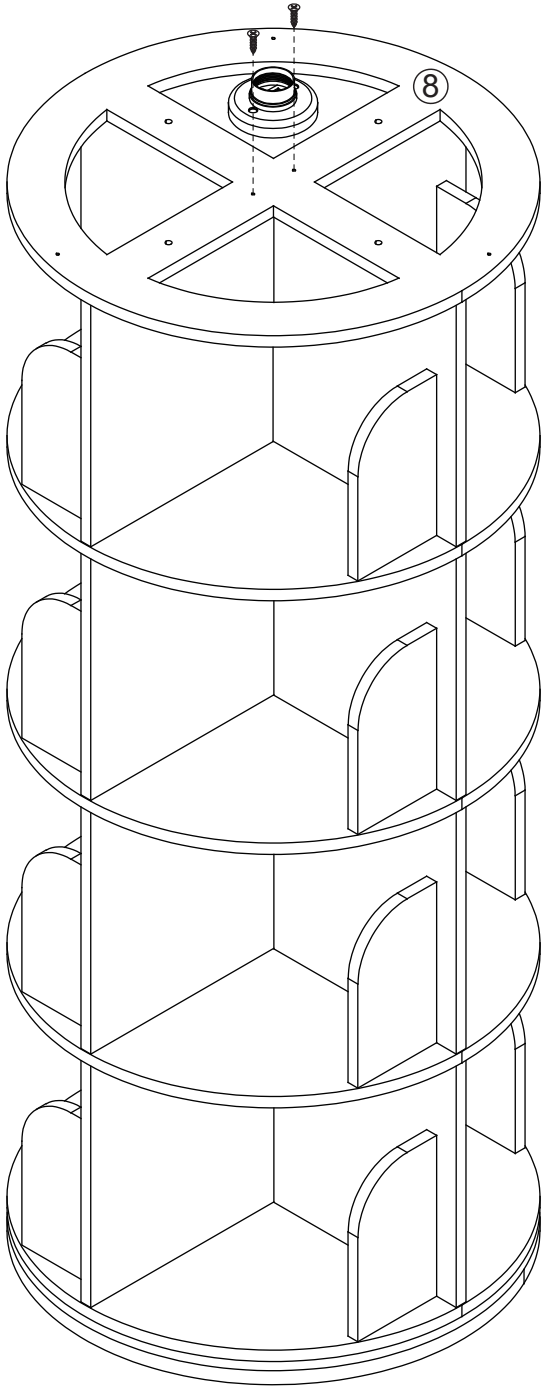


# Step 13

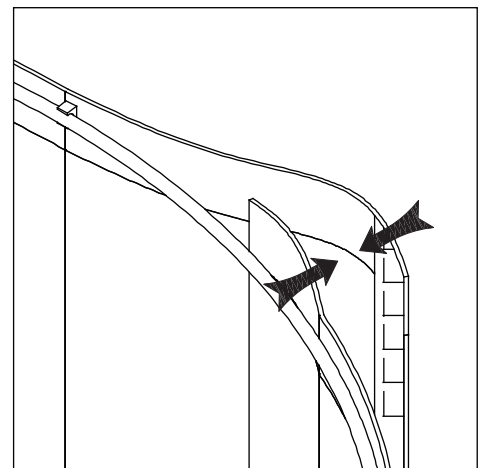
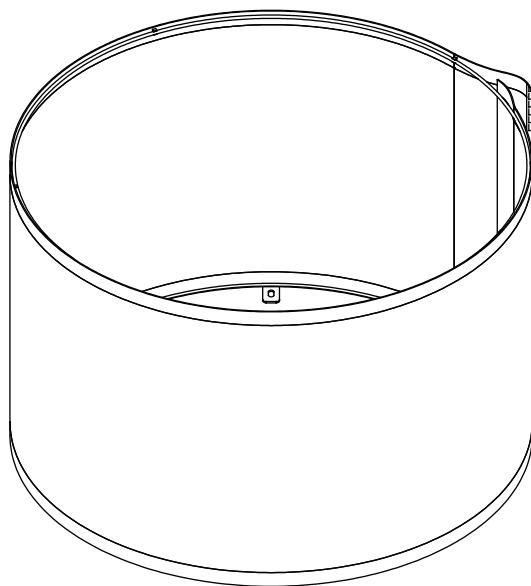
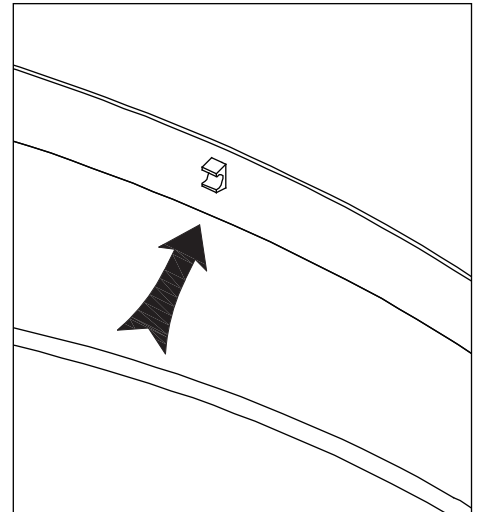
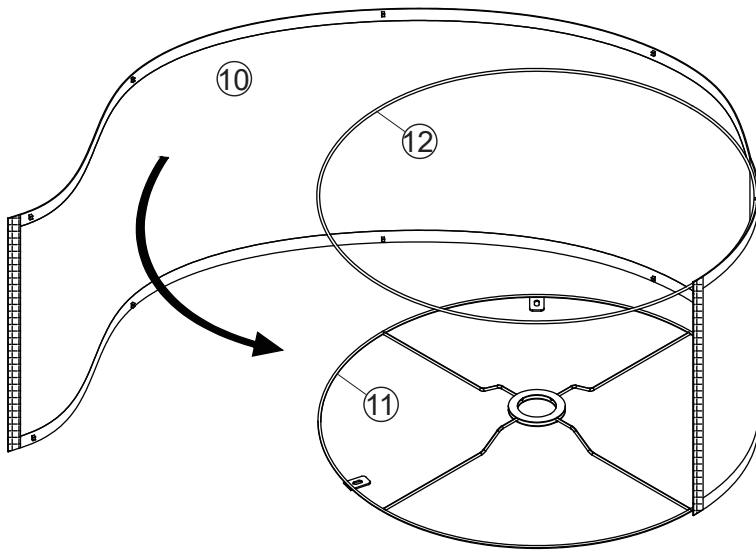


# Step 14

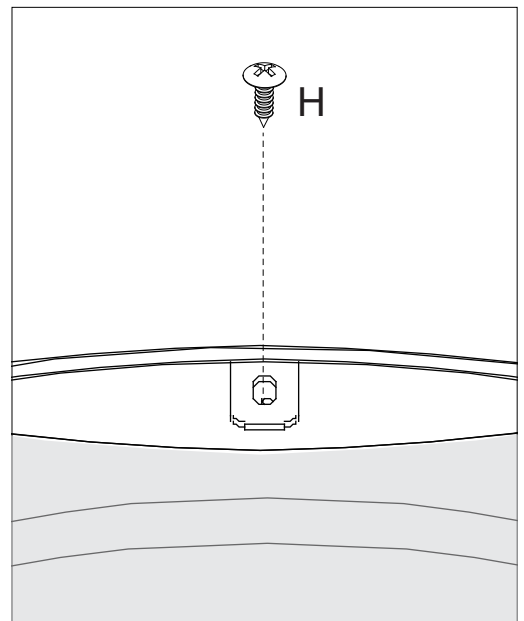
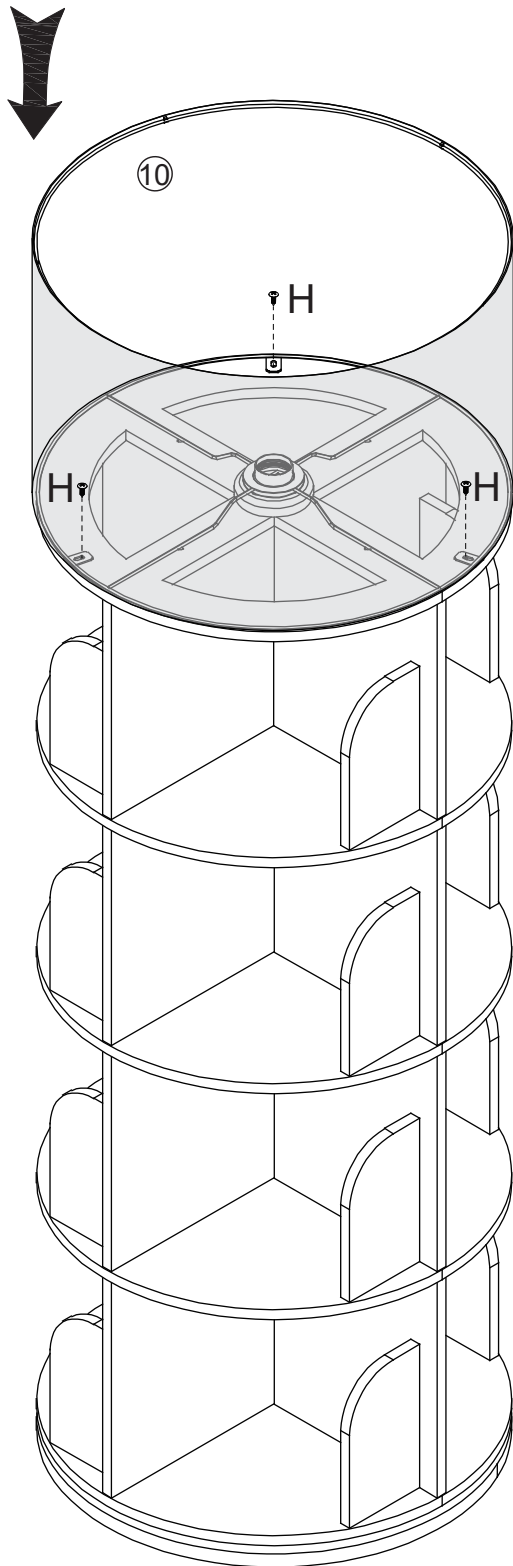
	FX 1
	G X 2



# Step 15



# Step 16



# Step 17

