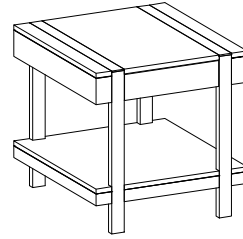


ASSEMBLY INSTRUCTIONS



#180-915
#180-916

TOOLS REQUIRED:

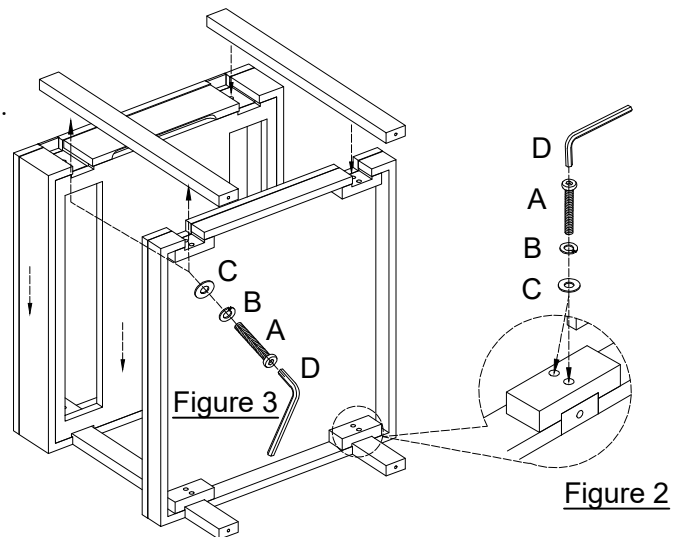
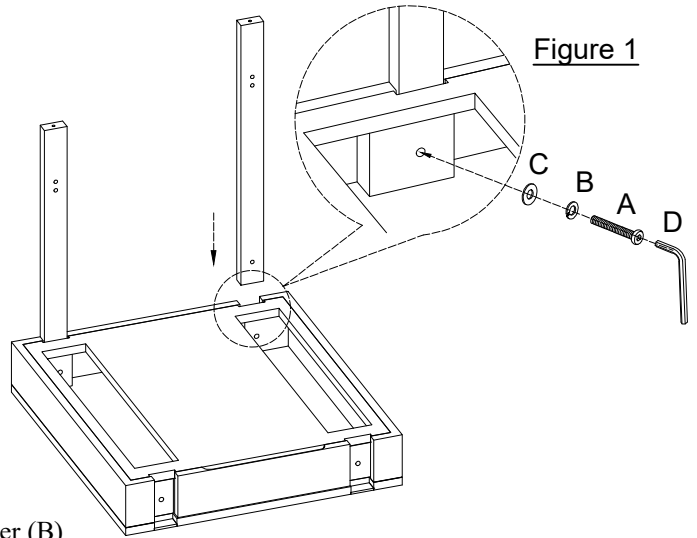
Allen Wrench (Provided, Part D)





BEFORE YOU START:

1. Check the hardwares against the hardware list to make sure all items are present.
2. Assemble your furniture on a soft, flat surface to avoid scratching the finish.
3. **CAUTION:** Do not over tighten screws, nuts or bolts during assembly.
4. Your furniture may require occasional tightening.

INSTRUCTIONS:

1. Turn the table top on to a clean soft surface.
2. Attach two legs to the top frame using Bolt (A), Lock Washer (B) and Flat Washer (C) and tighten with the Allen Wrench (D). As Shown in Figure 1.
3. Attach bottom panel to the legs using Bolt (A), Lock Washer (B) and Flat Washer (C) and tighten with the Allen Wrench (D). As Shown in Figure 2
4. Repeat steps 2, 3 for the 3rd and 4th legs. As show in Figure 3.
5. Tighten all bolts before setting table back upright.



HARDWARE LIST			
A		Bolts Ø1/4"*1-1/2"	12pcs
B		Lock Washer (Ø1/4")	12pcs
C		Flat Washer (Ø1/4"*Ø3/4")	12pcs
D		Allen Wrench (4MM)	1pc