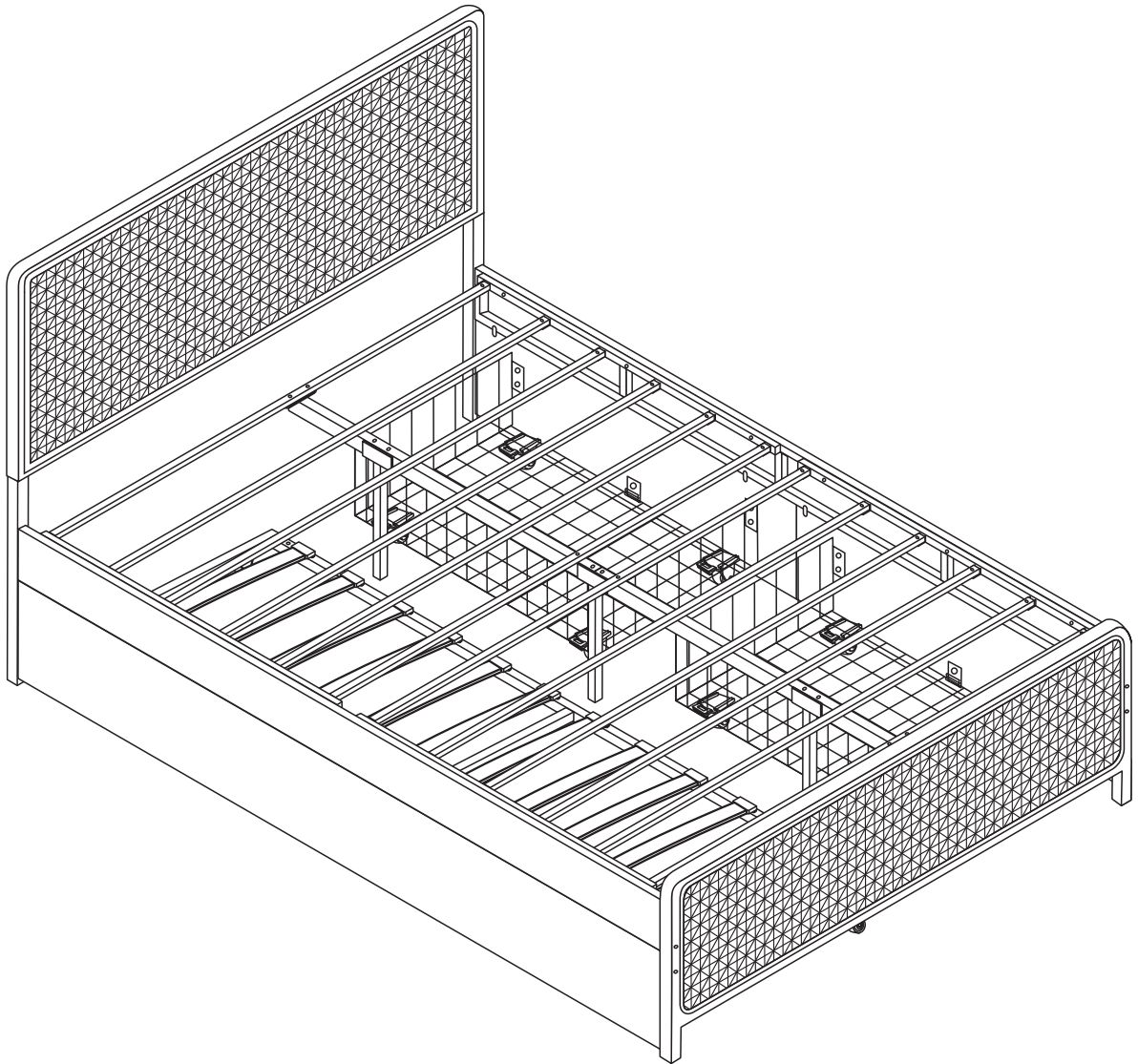


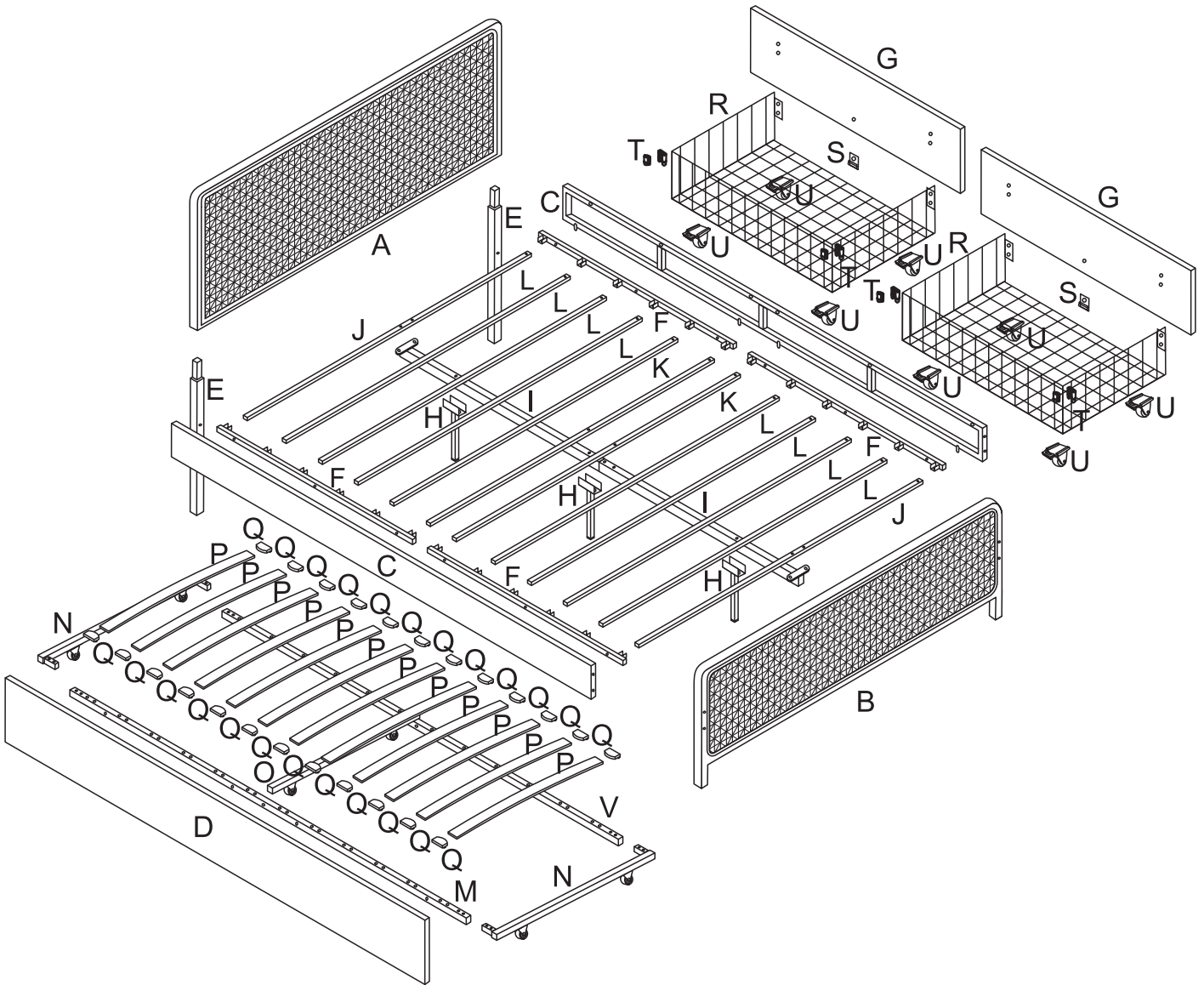
# ASSEMBLY INSTRUCTIONS



## **Dear Customers,**

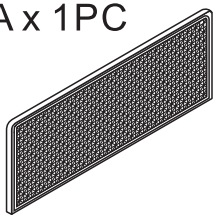
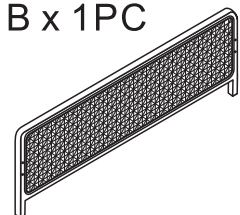

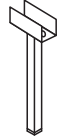
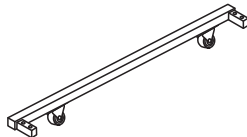
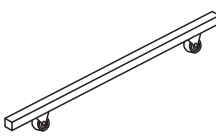
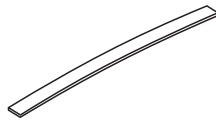

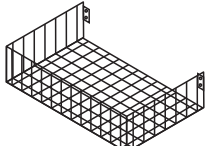



Thank you for purchasing our product. Please read this instruction manual carefully after receiving this product. It will help you assemble this product quickly, safely and correctly. You can keep this manual for future reference.

# ASSEMBLY INSTRUCTIONS








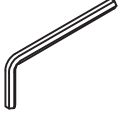



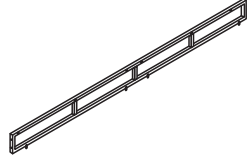
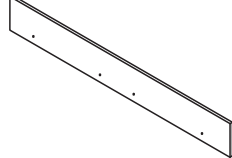
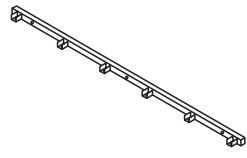
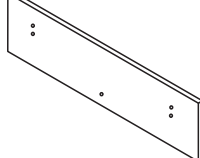
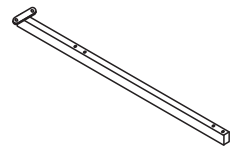
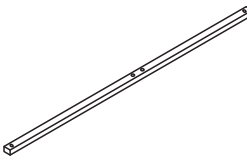
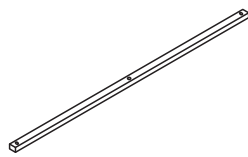
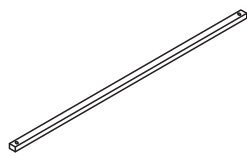
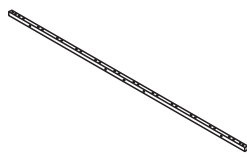
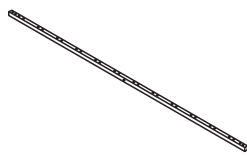
Notice: Do not tighten the screws too tightly at the beginning of the assembly. Wait until all the hole positions and screws are matched, then gently tighten all the screws.

# ASSEMBLY INSTRUCTIONS

|   |  |  |   |   |
|---|--|--|---|---|
| A x 1PC<br>  | B x 1PC<br>   | E x 2PCS<br>  | H x 3PCS<br> | N x 2PCS<br> |
| O x 1PC<br>  | P x 12PCS<br> | Q x 24PCS<br> | R x 2PCS<br>  | S x 2PCS<br> |
| T x 4PCS<br> | U x 8PCS<br>  |  |   |   |

## Hardware List : ...

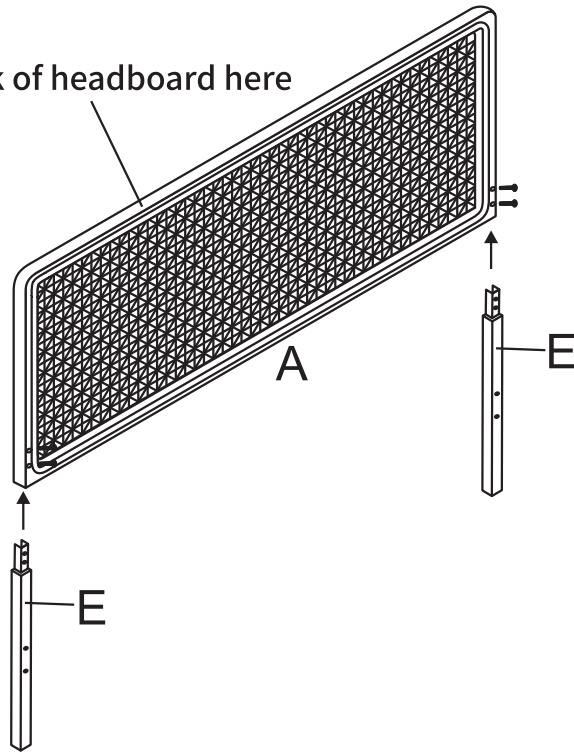
|  |  |   |  |   |
|--|--|---|--|---|
| 1 x10PCS<br><br>M8 x 55mm | 2 x30PCS<br><br>M6 x 25mm | 3 x6PCS<br><br>M6 x 35mm | 4 x24PCS<br><br>M8 x 25mm | 5 x4PCS<br><br>M6 x 45mm |
| 6 x10PCS<br><br>M6 x 13mm | 7 x4PCS<br><br>M6         | 8 x1PC<br>               | 9 x1PC<br>                |   |

|   |   |   |  |   |
|---|---|---|--|---|
| C x 2PCS<br> | D x 1PC<br>  | F x 4PCS<br> | G x 2PCS<br> | I x 2PCS<br> |
| J x 2PCS<br> | K x 2PCS<br> | L x 8PCS<br> | M x 1PC<br>  | V x 1PC<br>  |

# ASSEMBLY INSTRUCTIONS

1

Notice: It's back of headboard here

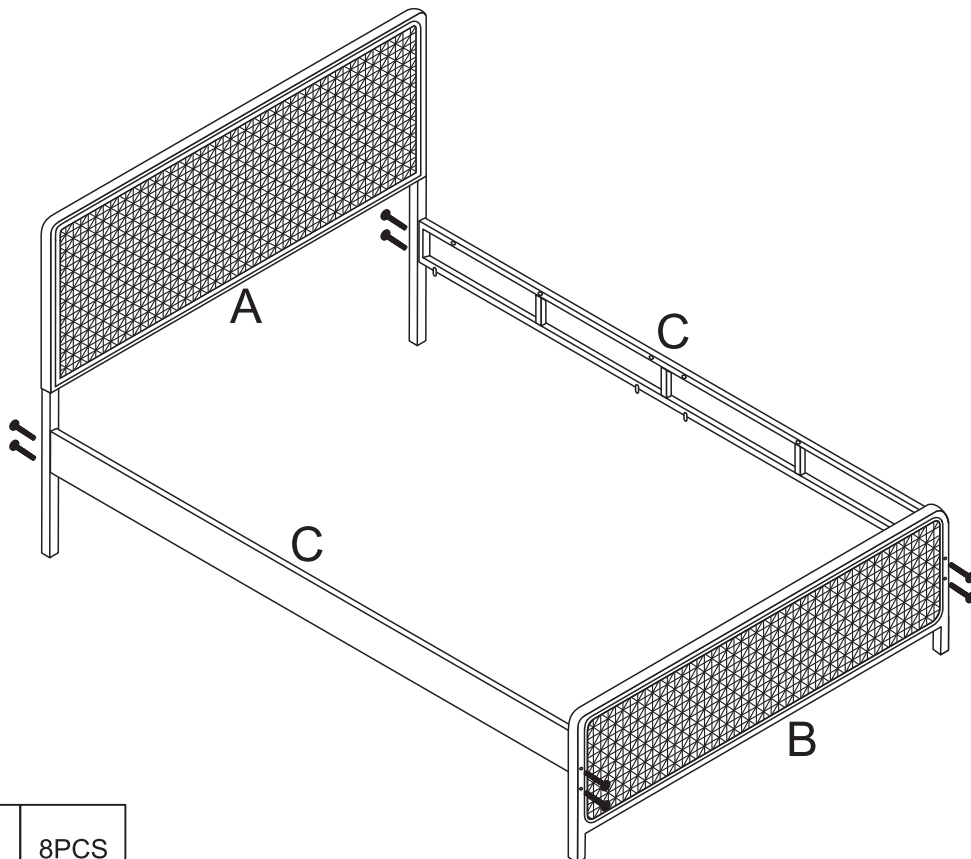


4

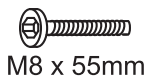


4PCS

2



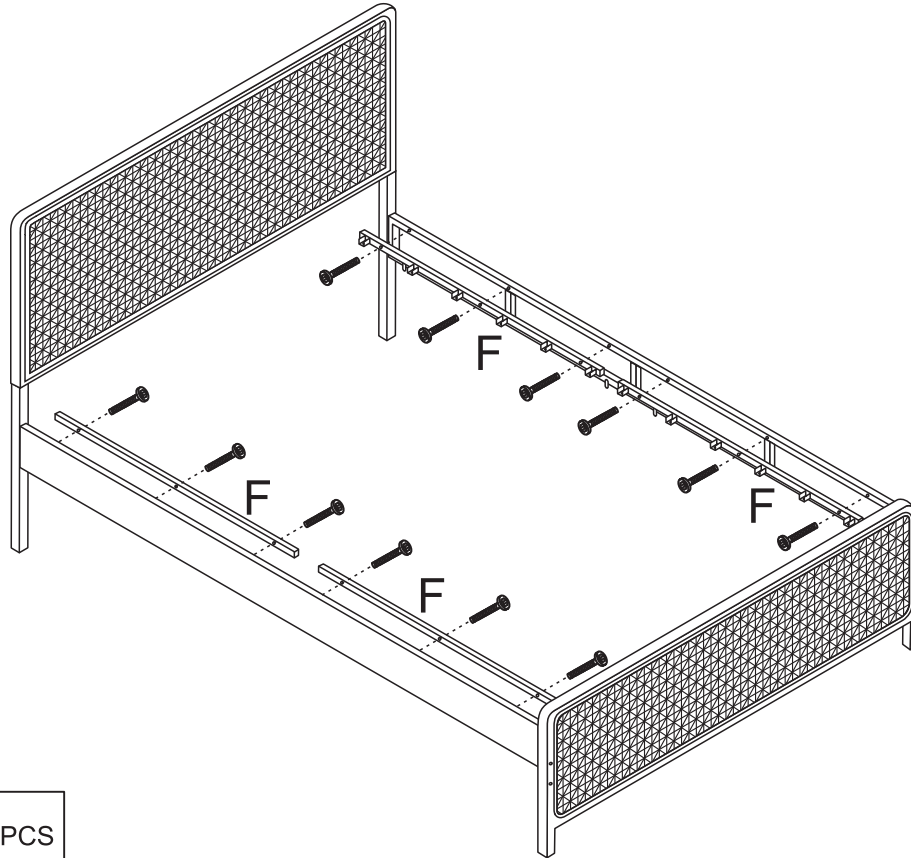
1




8PCS

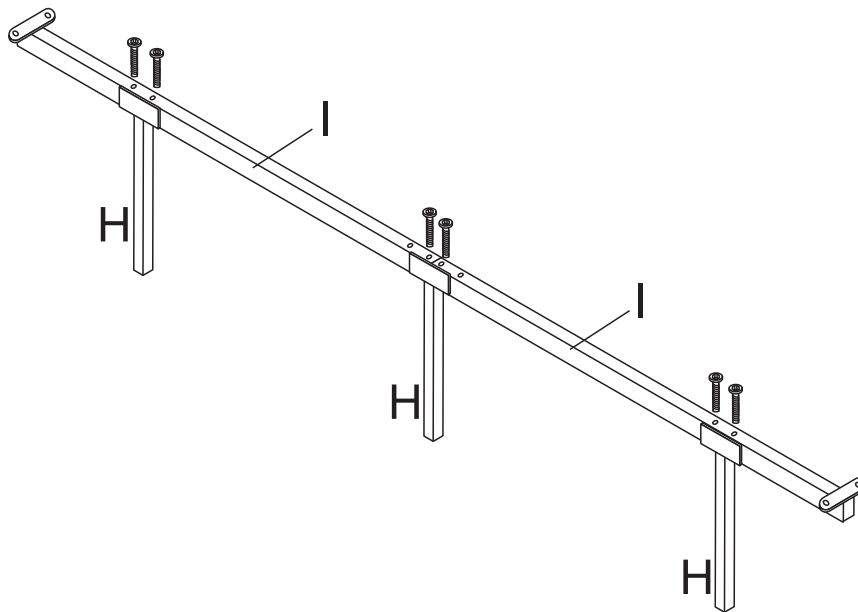
# ASSEMBLY INSTRUCTIONS


3



|           |   |       |
|-----------|---|-------|
| 4         |  | 12PCS |
| M8 x 25mm |   |       |

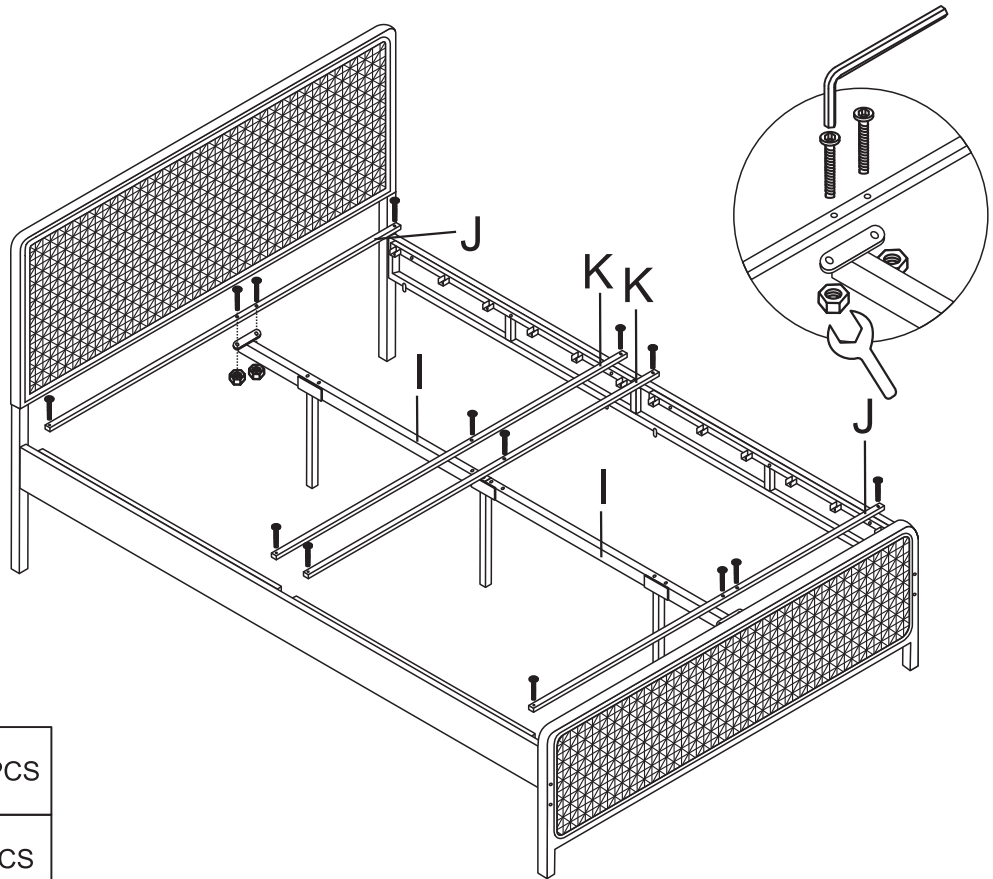
4

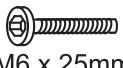



|          |   |      |
|----------|---|------|
| 3        |  | 6PCS |
| M6x 35mm |   |      |

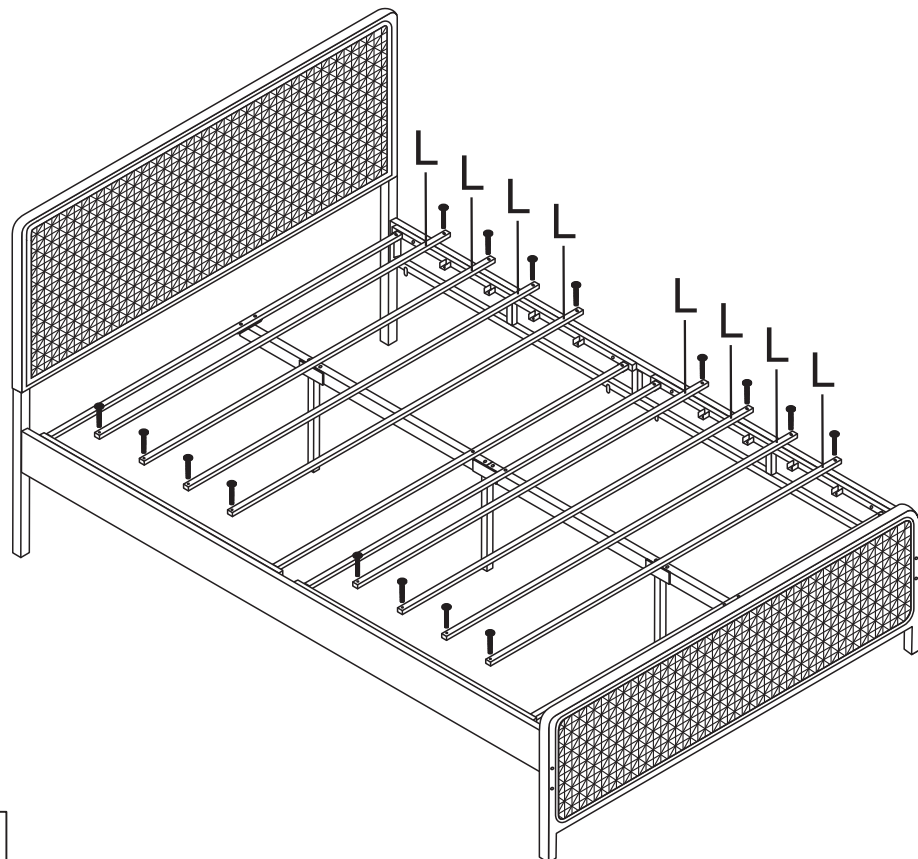
# ASSEMBLY INSTRUCTIONS


5



|   |  |       |
|---|--|-------|
| 2 | <br>M6 x 25mm | 14PCS |
| 7 | <br>M6      | 4PCS  |

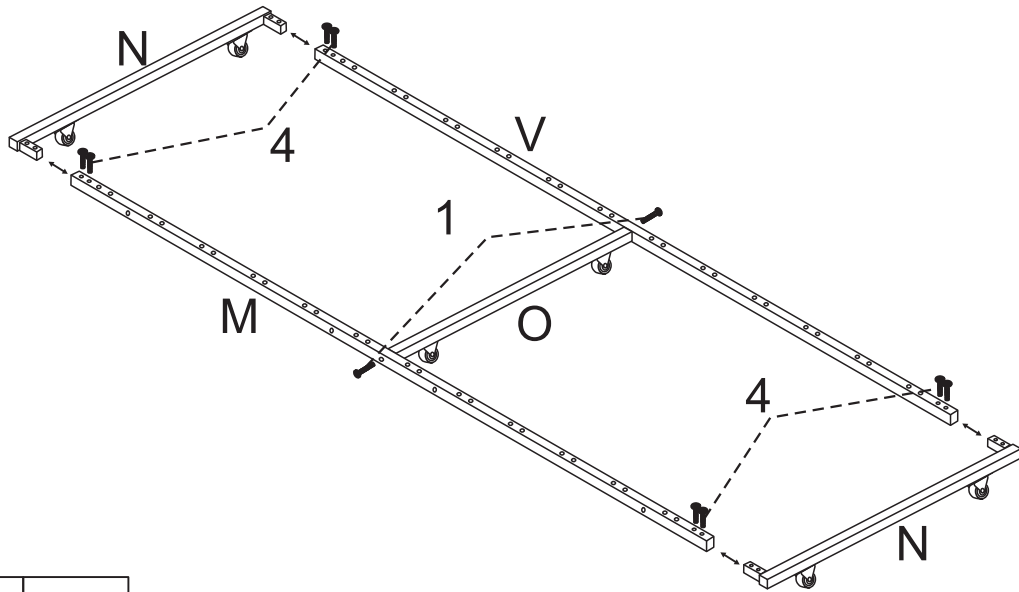
6





|   |  |       |
|---|--|-------|
| 2 | <br>M6 x 25mm | 16PCS |
|---|--|-------|

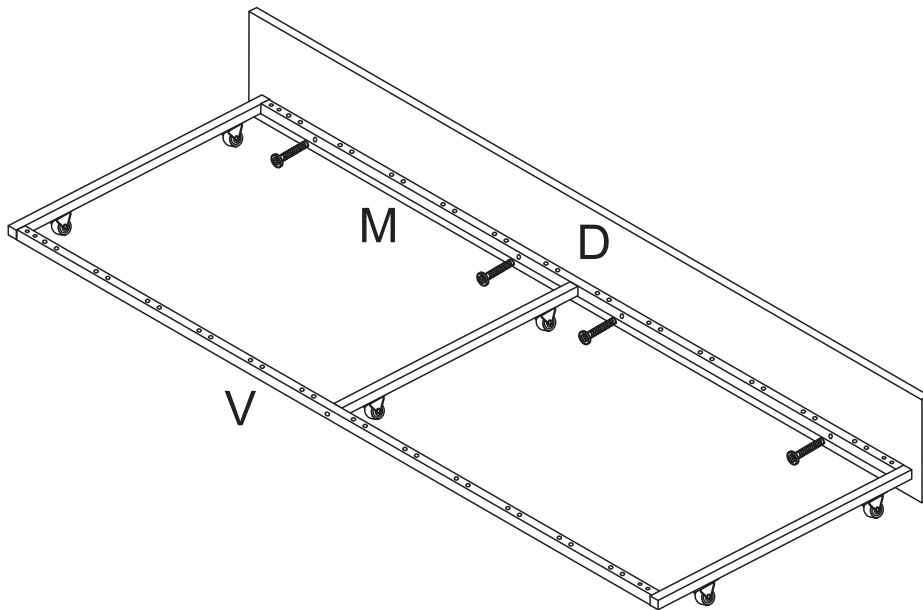
# ASSEMBLY INSTRUCTIONS


7



|   |   |      |
|---|---|------|
| 1 | <br>M8x 55mm   | 2PCS |
| 4 | <br>M8x 25mm | 8PCS |

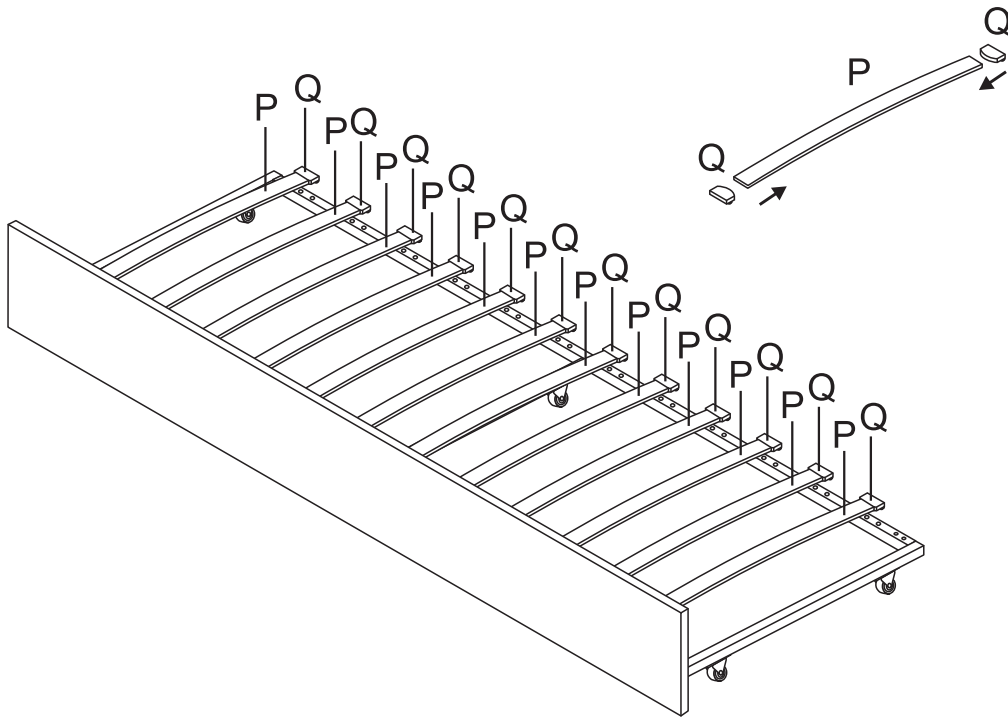
8



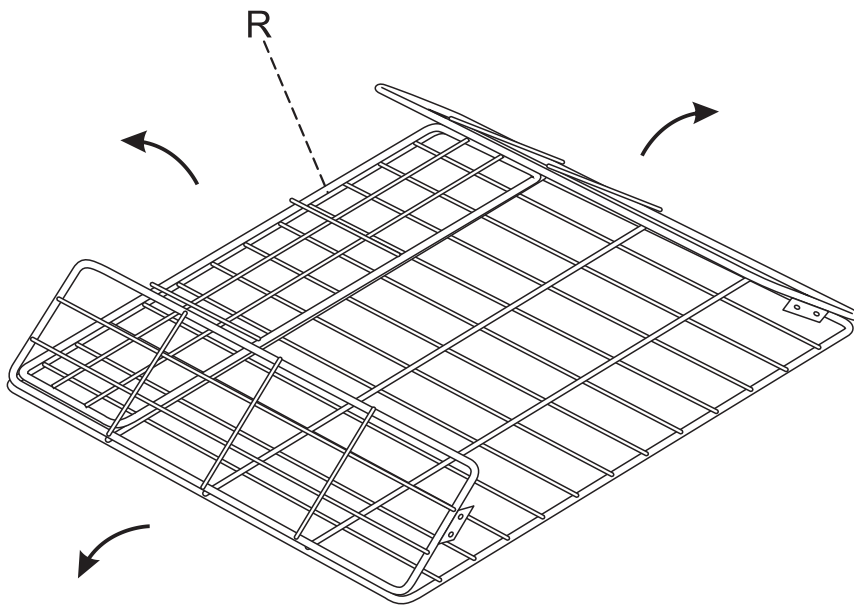
|   |   |      |
|---|---|------|
| 5 | <br>M6x 45mm | 4PCS |
|---|---|------|

# ASSEMBLY INSTRUCTIONS

9

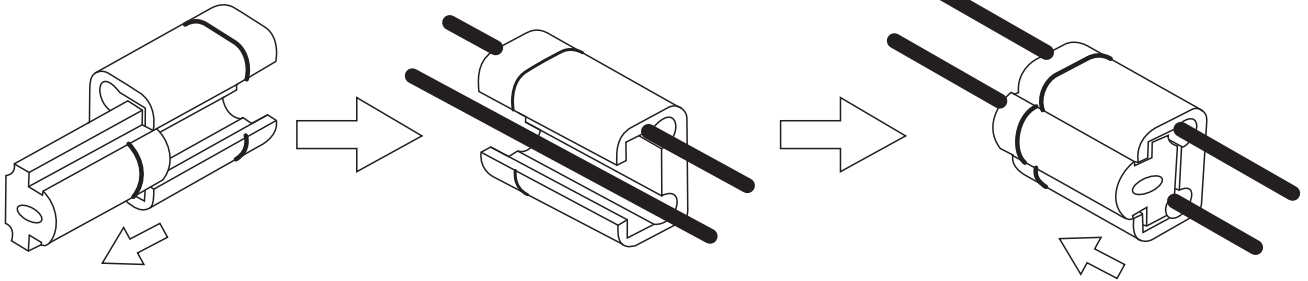


10



# ASSEMBLY INSTRUCTIONS

11

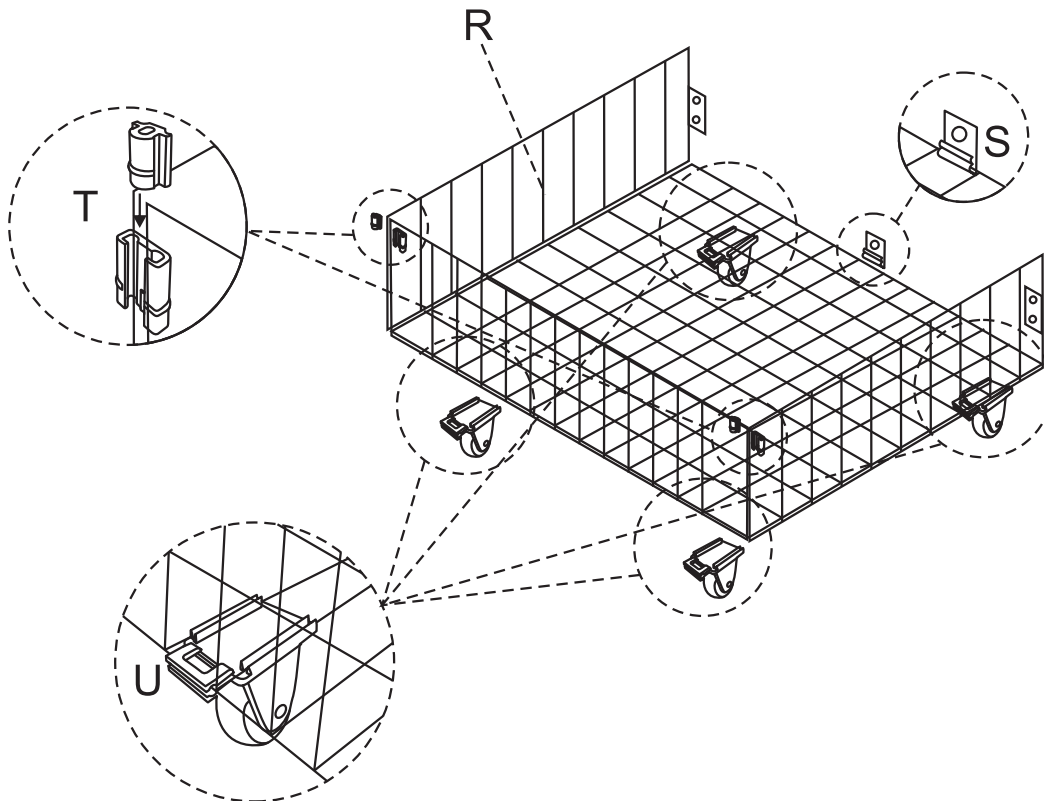


You can pull the buckle out by following the direction indicated by the arrow

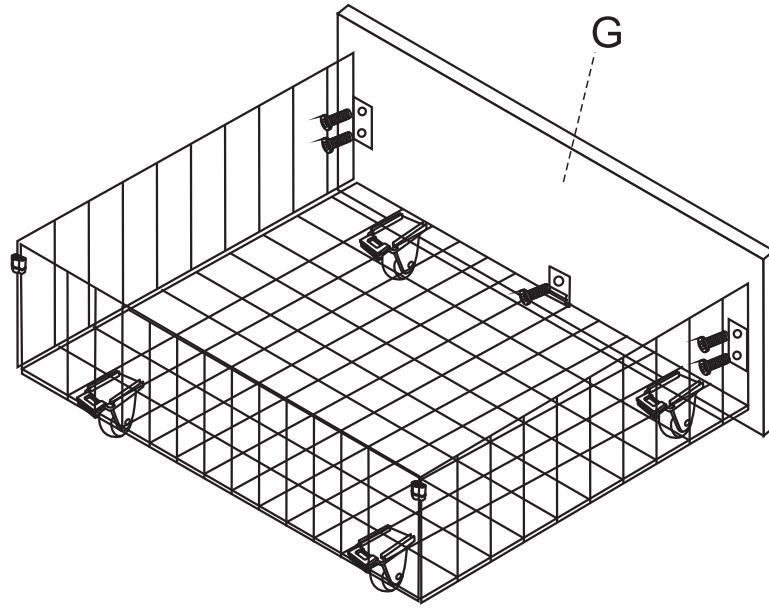
Place iron mesh as shown for better drawer assembly

This is the only direction that can be locked.

12



13



6 M6x13 10PCS

14

