

## **Modular Sofa - HS003**

# **Assembly Instructions**



## Safety And Care Advice

**Important – Please read these instructions fully before starting assembly.**

Please check if all the components and tools listed out are received.

Please remove all fittings from the plastic bags and separate them into homologous groups.

Please keep children and animals away from the working areas; swallow small parts may cause suffocation.

Please make sure you have enough space to lay out the parts before starting.

Do not stand on the product, which could cause damage.

Please assemble the product as close to its final position as possible.

Do not place furniture directly in front of radiators, fires, or any other source of heat.

The assembly will be easier with 2 people.

Please dispose of all packaging carefully and responsibly.



## General care and maintenance

Please clean with a damp cloth or mild detergent, do not use bleach or abrasive cleaners.

Do not allow the spill to stay on the surface for a long time.

Do not clean with products containing the following: acetone (e.g., nail varnish remover), ammonia (e.g.bleach), or sodium hydroxide(e.g., caustic soda, drain, and oven cleaners).

If the product is accidentally exposed to the irritating liquid, rinse thoroughly with clean water.

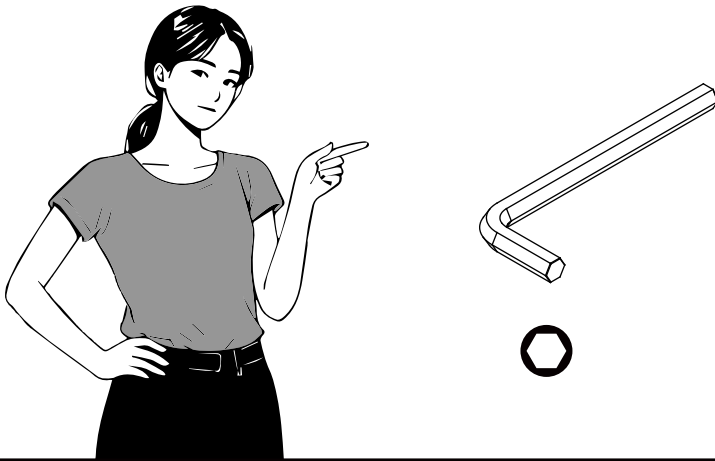
Mats can be used to protect surfaces from moisture and heat.

Please check whether there are missing screws in the product regularly.

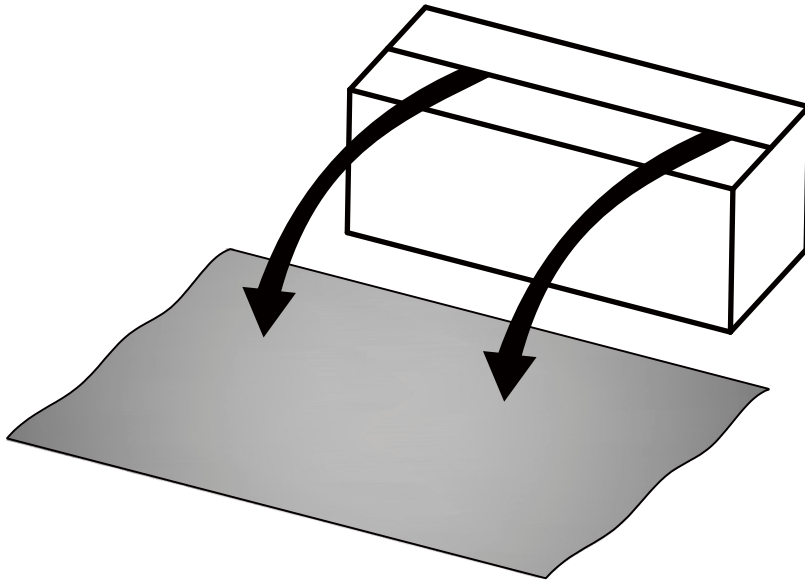
The product should not be discarded with household waste, and please take it to your local authority waste disposal center.

# Installation Tools

**i** Tools Required :

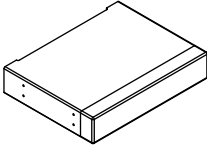
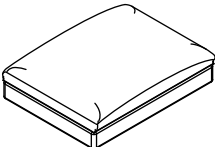
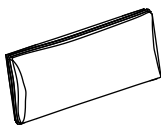
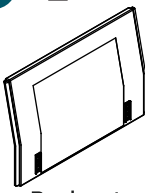
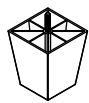
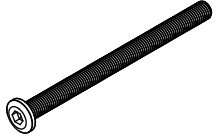


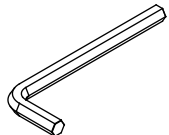


**i** Lay a piece of clean paper or carpet on the floor, then put the product parts on it to prevent scratching.

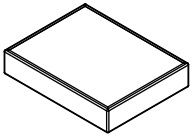
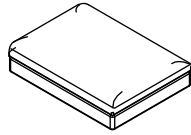
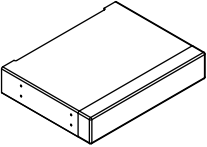
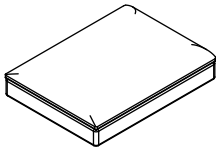
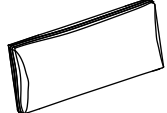
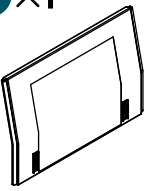
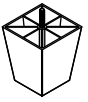
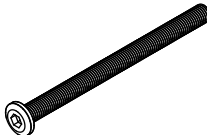


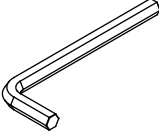


# Parts List

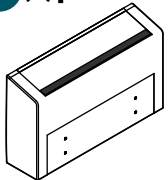
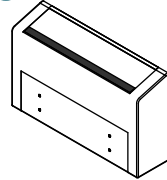
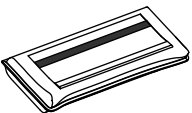
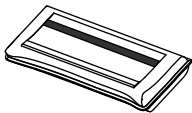
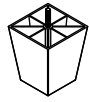
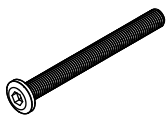

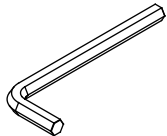
## 【Package A1】

<b>A1</b> × 2  Sofa base	<b>B</b> × 2  Seat cushion	<b>C</b> × 2  Back cushion	<b>D</b> × 2  Backrest	<b>E</b> × 8  Support foot	<b>F</b> × 8  5/16" Hexagonal bolt
<b>G</b> × 8  5/16" Hexagonal nut	<b>H</b> × 16  Flat washer	<b>L</b> × 1  Allen key			

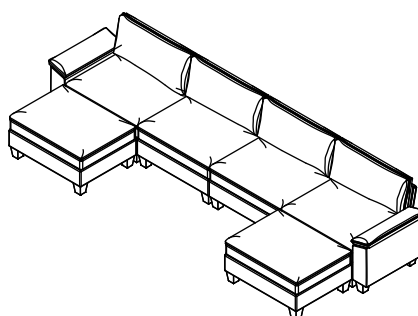
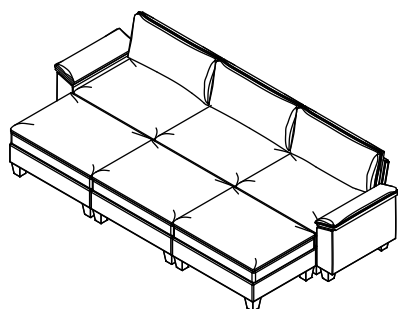
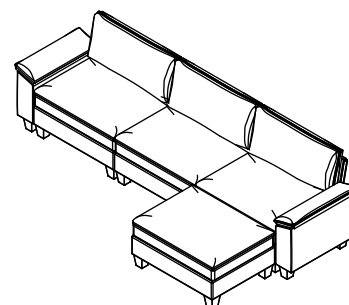
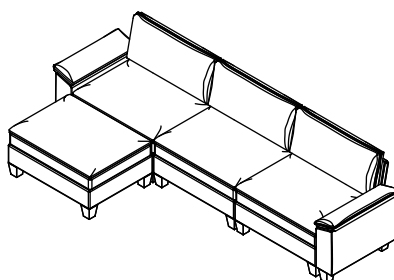
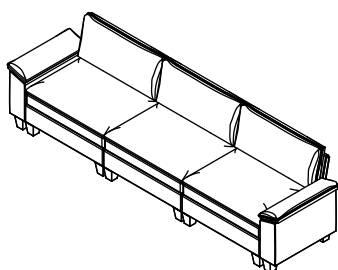
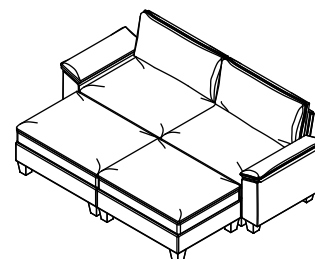
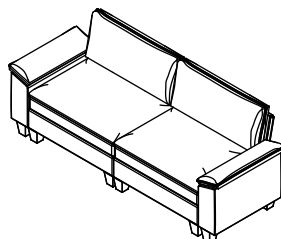
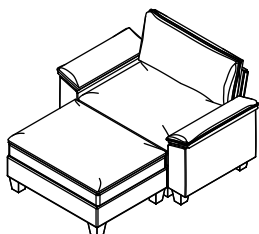
## 【Package B1】

<b>B1</b> × 1  Ottoman base	<b>J</b> × 1  Ottoman cushion	<b>A1</b> × 1  Sofa base	<b>B</b> × 1  Seat cushion	<b>C</b> × 1  Back cushion	<b>D</b> × 1  Backrest
<b>E</b> × 8  Support foot	<b>F</b> × 4  5/16" Hexagonal bolt	<b>G</b> × 4  5/16" Hexagonal nut	<b>H</b> × 8  Flat washer	<b>L</b> × 1  Allen key	

## 【Package C1】

<b>C1-R</b> × 1  Armrest	<b>C1-L</b> × 1  Armrest	<b>P-R</b> × 1  Armrest pillow	<b>P-L</b> × 1  Armrest pillow	<b>E</b> × 4  Support foot	<b>K</b> × 8  M8*60mm Hexagonal bolt
<b>H</b> × 8  Flat washer	<b>L</b> × 1  Allen key				

# Combination Form

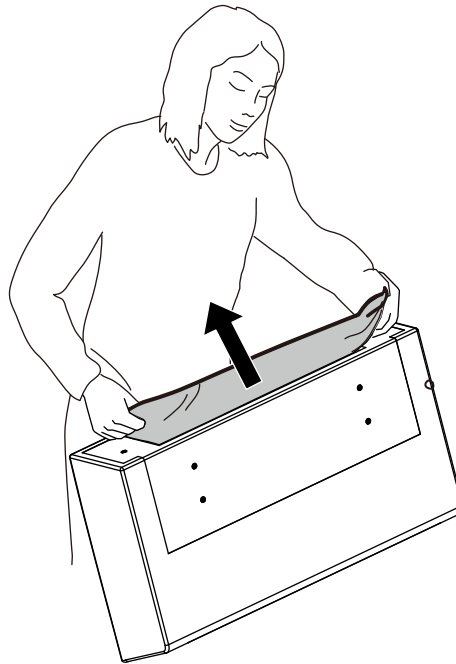
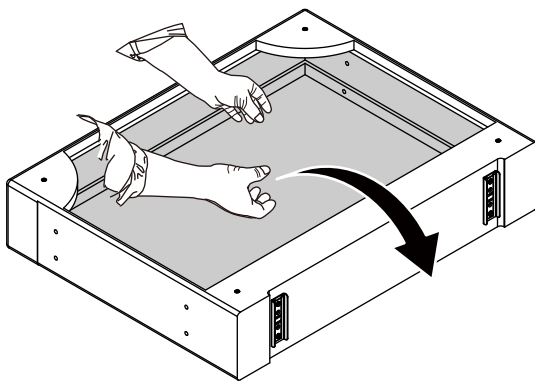


**This manual provides assembly instructions for several modules (Package A1, B1, C1, ... ..) of the modular sofa you may purchase. If you have any questions, please contact customer service for assistance([support@linsyhome.com](mailto:support@linsyhome.com)).**

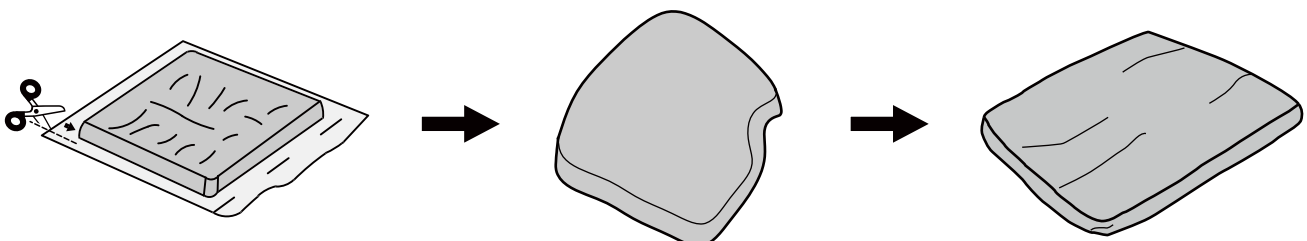
# Assembly Instructions

## Step 1

**i** Before assembly, please open the bottom of the parts and take out the cushions and hardware from inside.

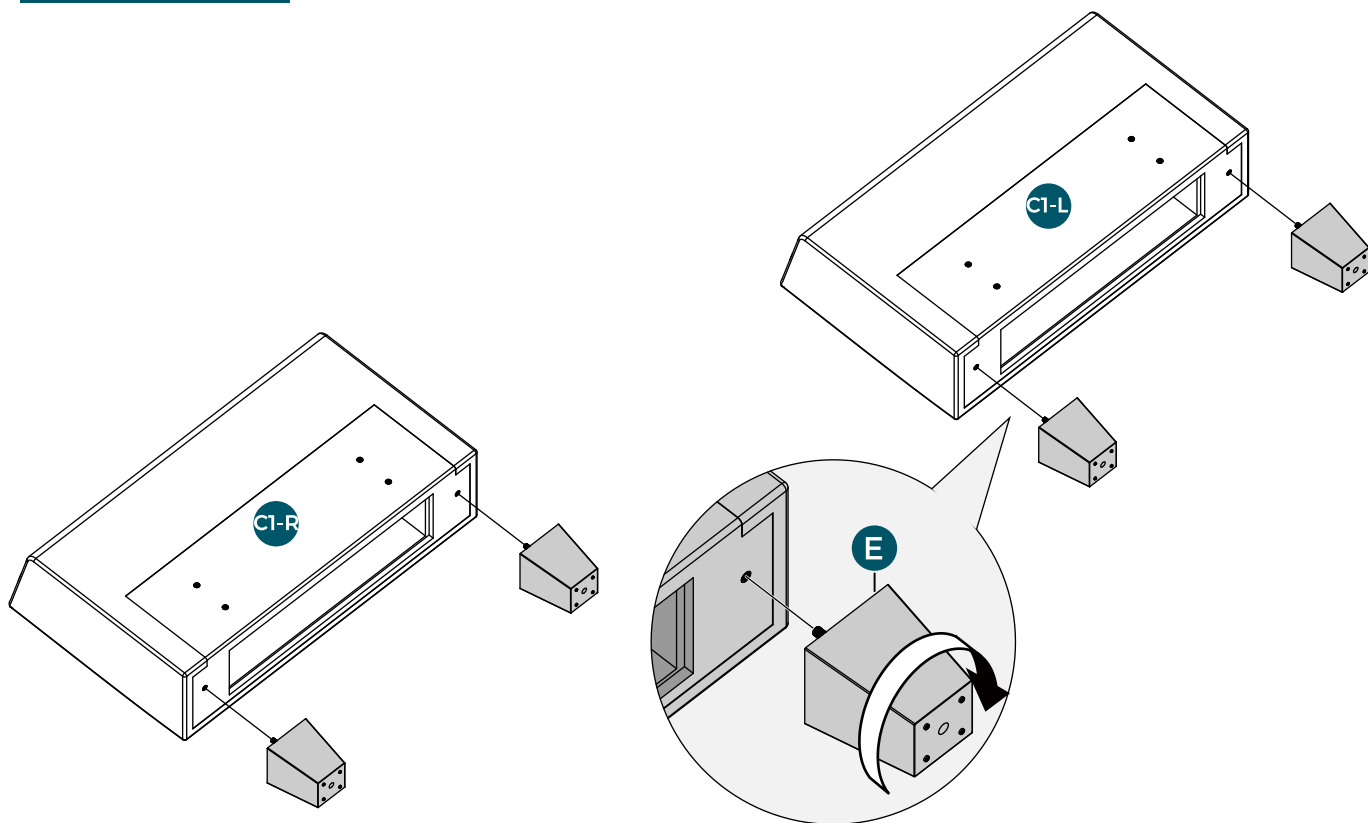


- i**
1. **Unpackaging:** Remove the cushions from the vacuum-sealed packaging.
  2. **Allow Expansion Time:** Let the cushions sit in a well-ventilated area for a few hours to expand naturally. It usually needs 48-72 hours to fully expand.
  3. **Fluffing and Patting:** Gently fluff and pat the cushions to encourage air circulation and restore their shape.
  4. **Massage and Knead:** Lightly massage and knead the cushions to redistribute the filling evenly.
  5. **Apply Heat (Optional):** Using a hairdryer on a low-heat setting or placing a warm, damp cloth over the cushions can expedite the process and remove wrinkles.

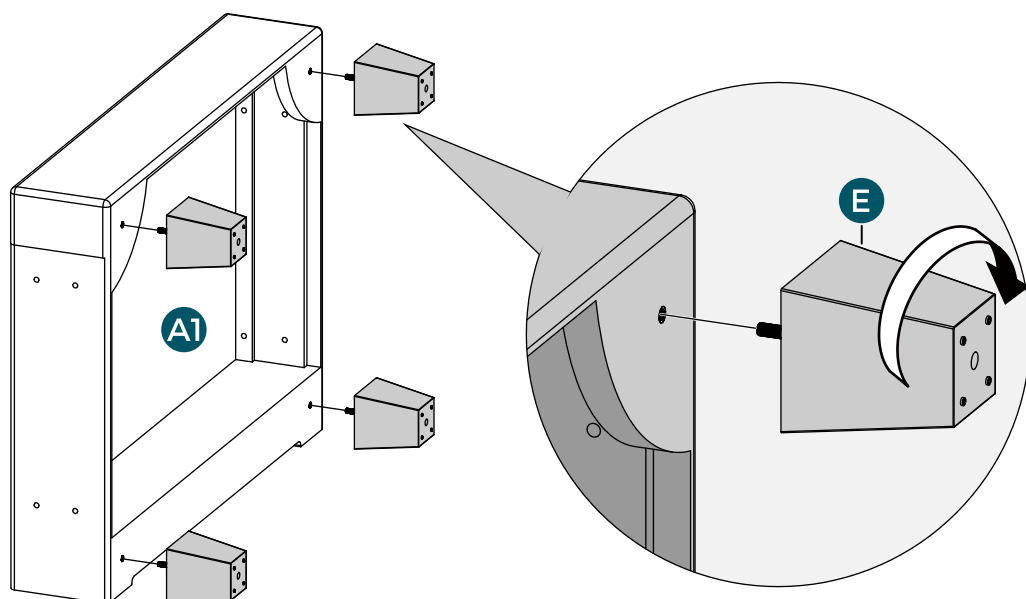


# Assembly Instructions

## Step 2

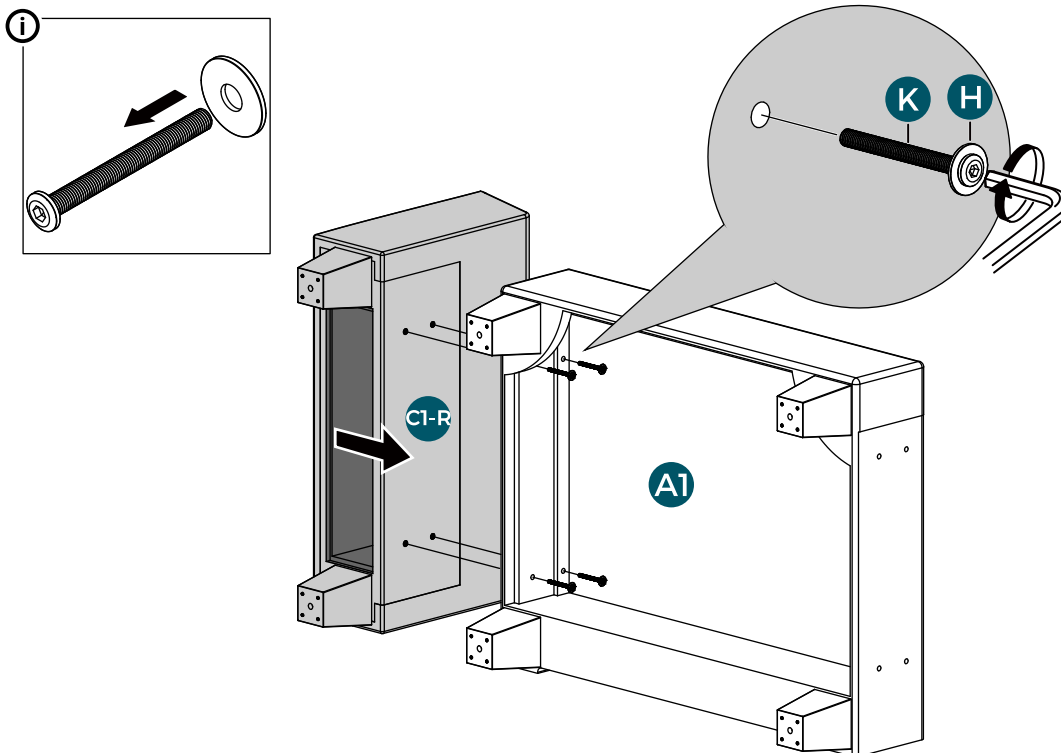


## Step 3

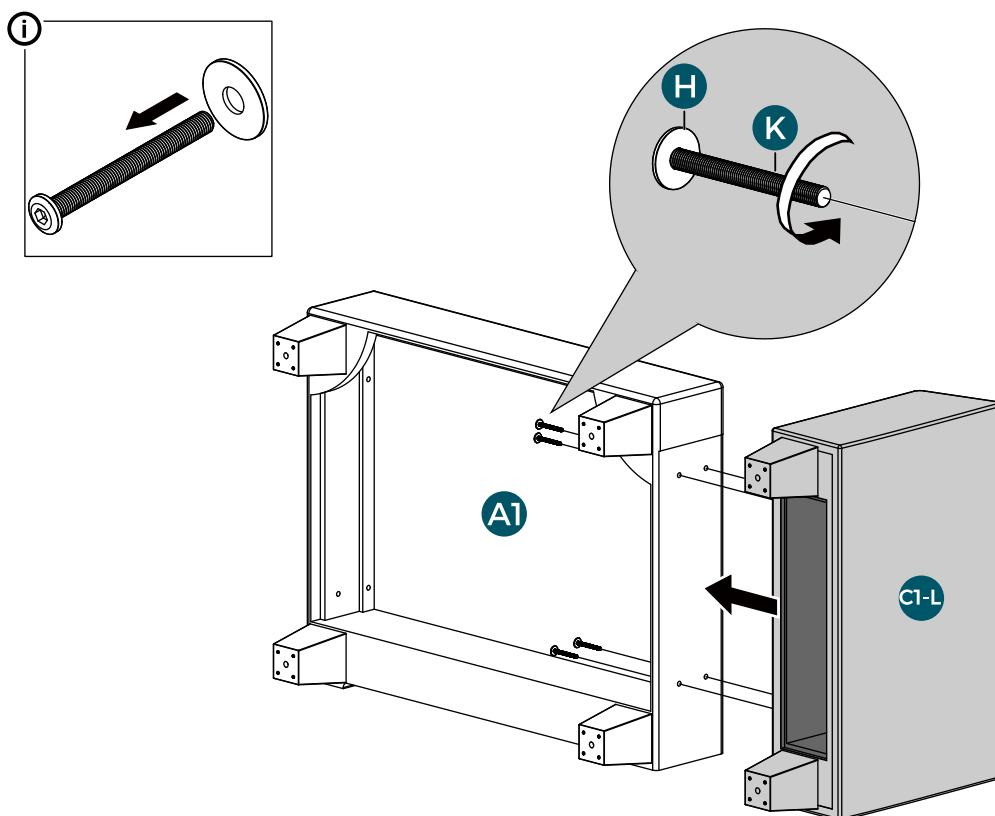


# Assembly Instructions

## Step 4

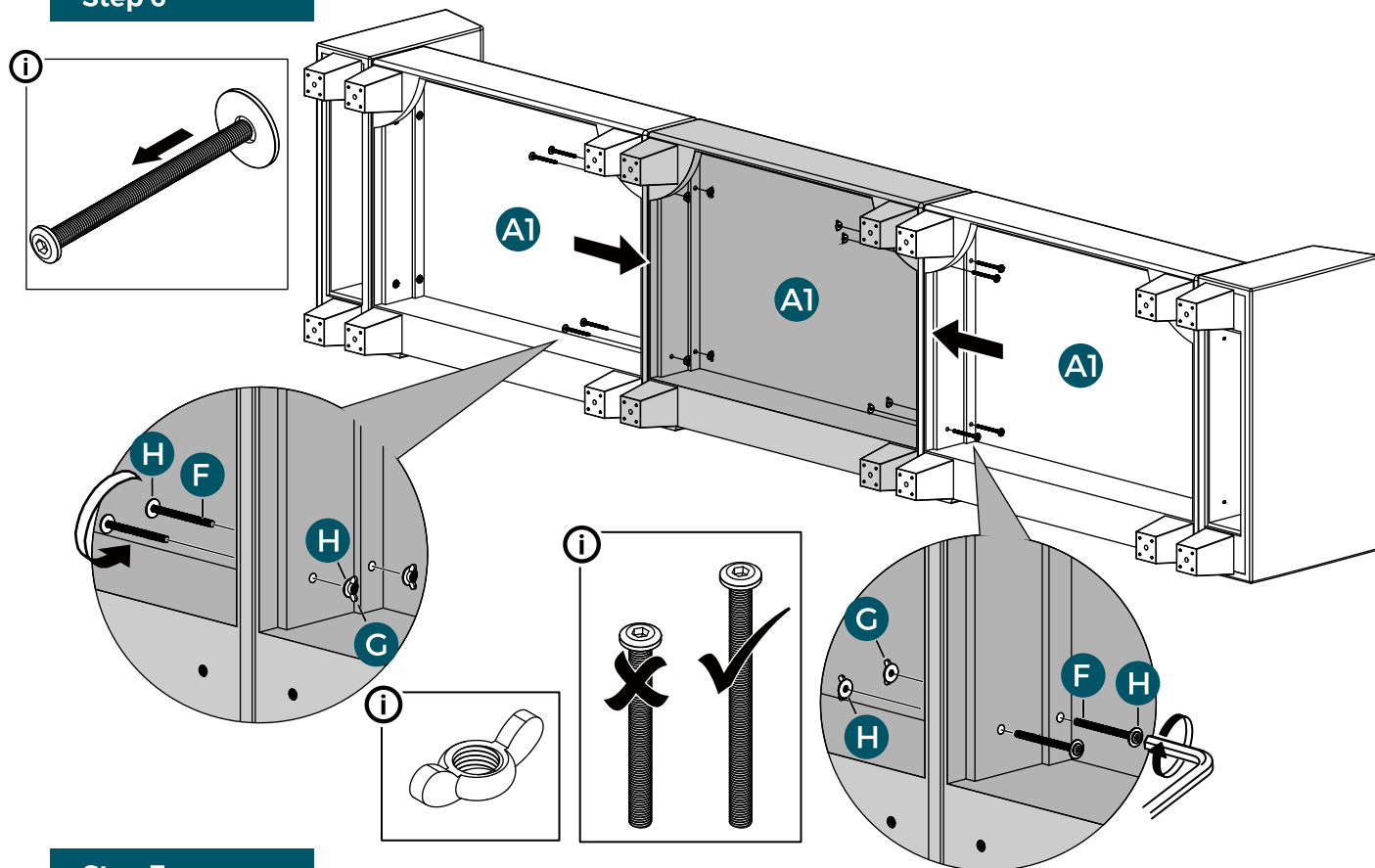


## Step 5

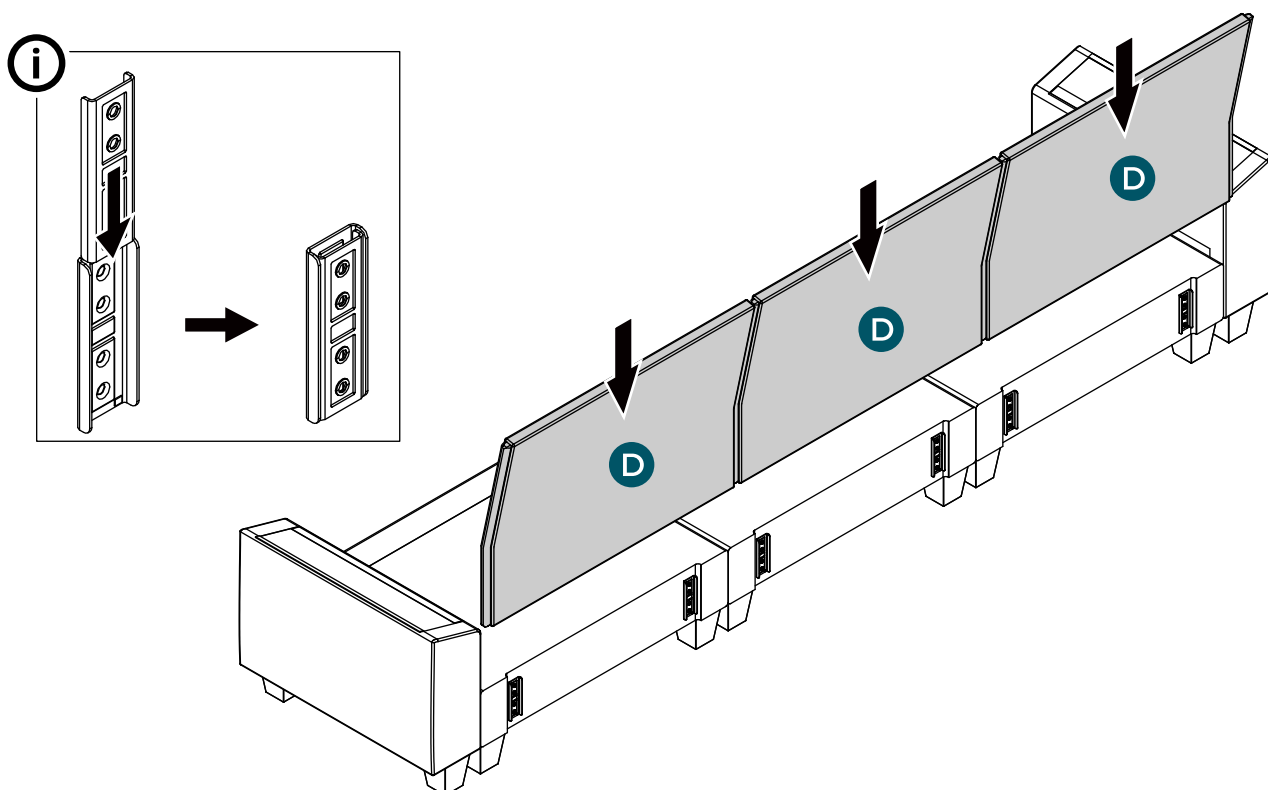


# Assembly Instructions

## Step 6

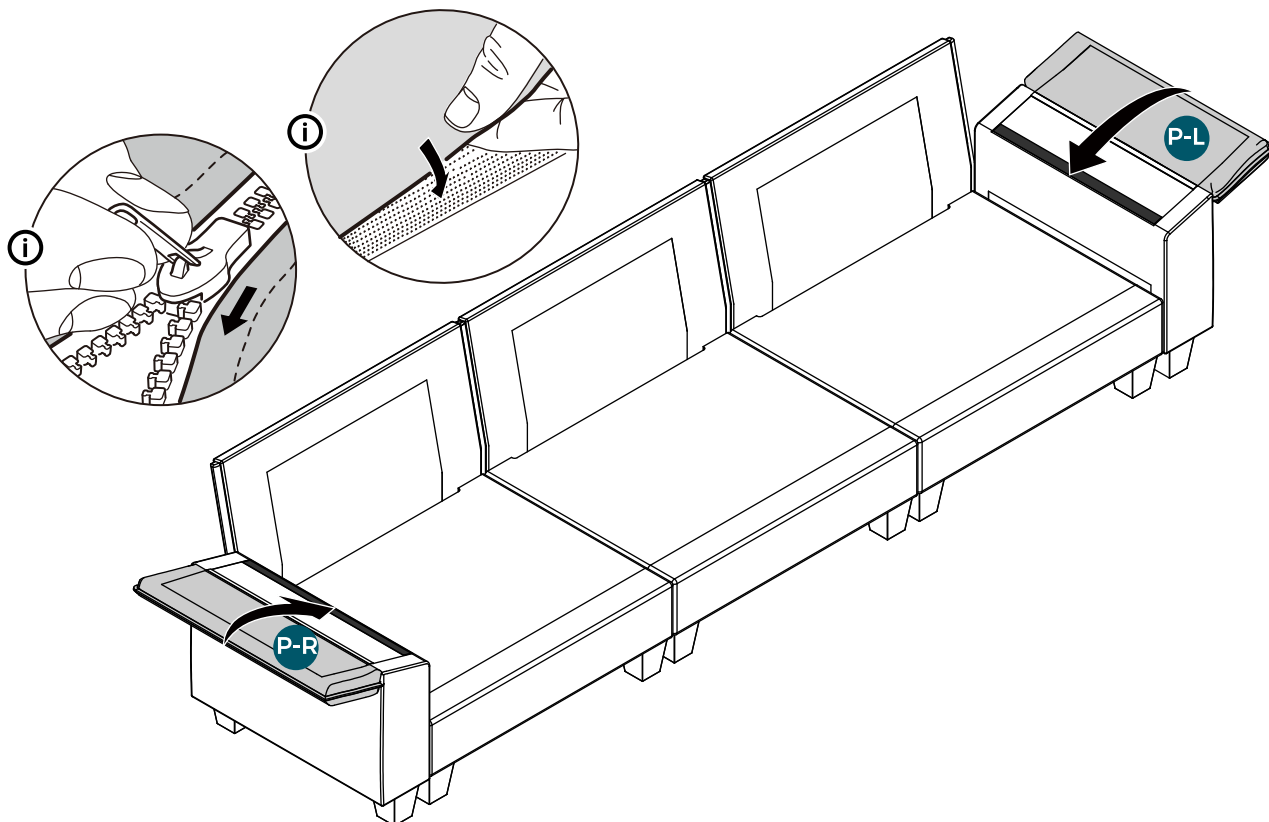


## Step 7

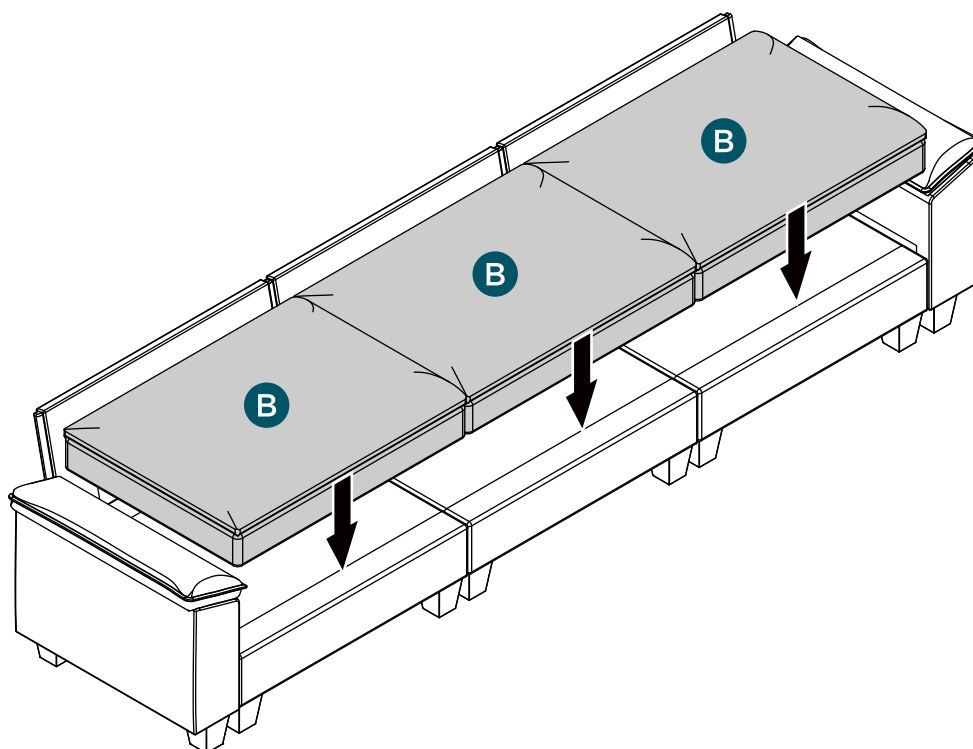


# Assembly Instructions

## Step 8

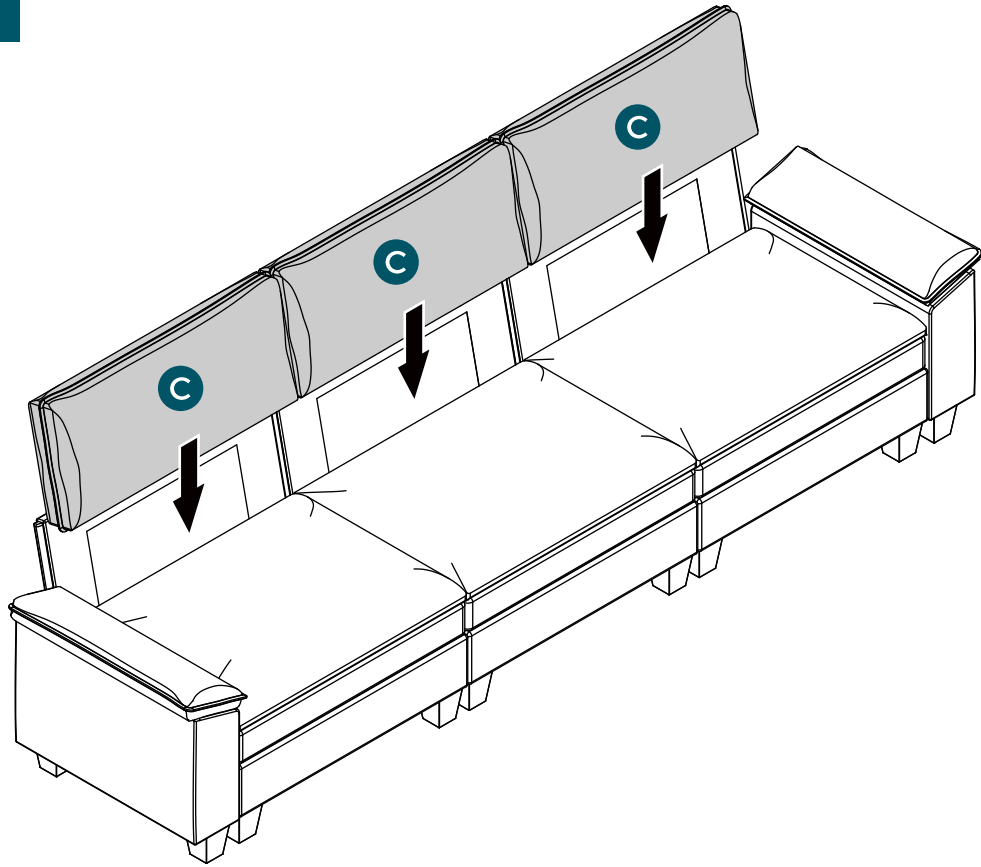


## Step 9

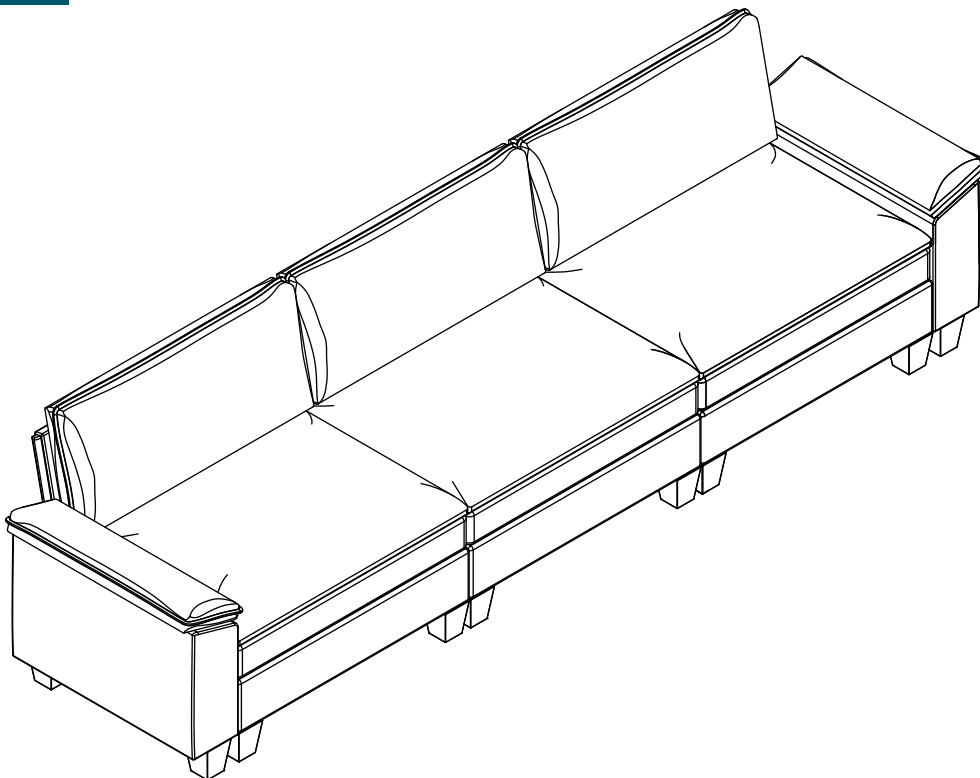


# Assembly Instructions

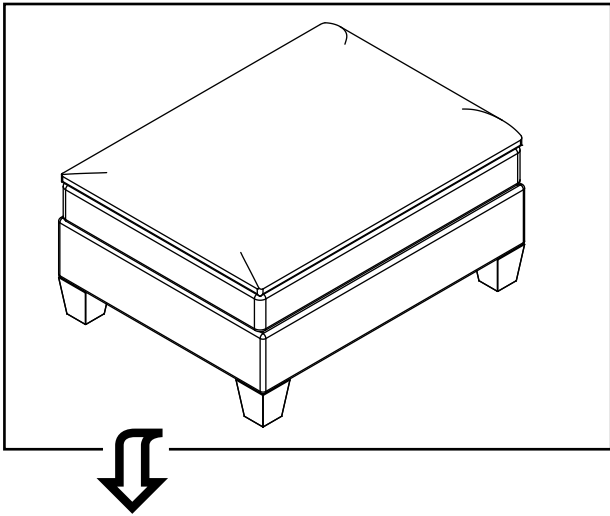
## Step 10



## Step 11

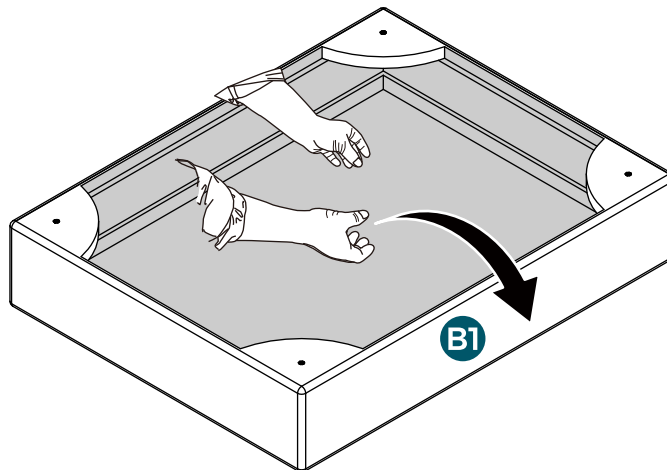


# Assembly Instructions



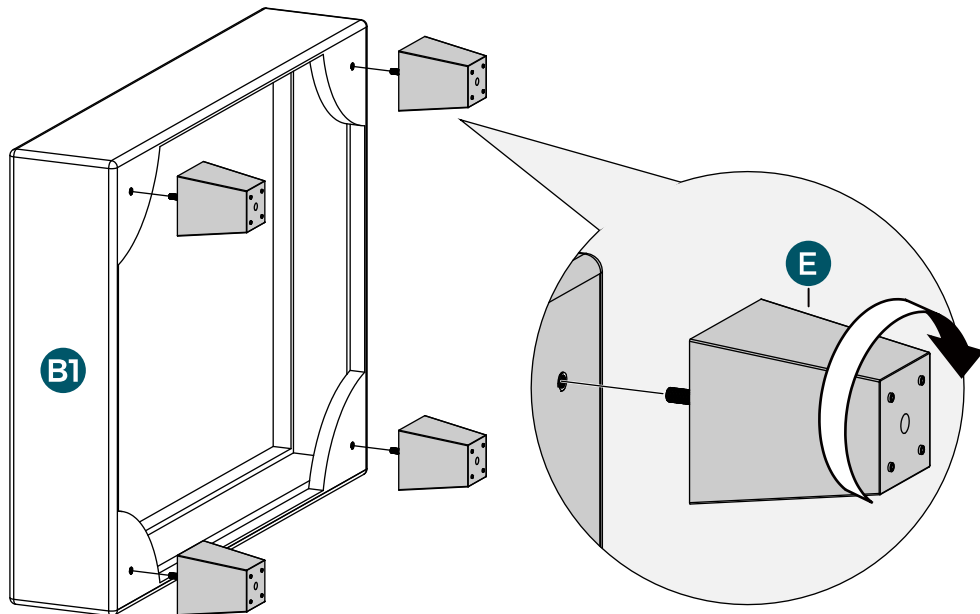
## Step 12

**i** Before assembly, please open the bottom of the parts and take out the cushions and hardware from inside.

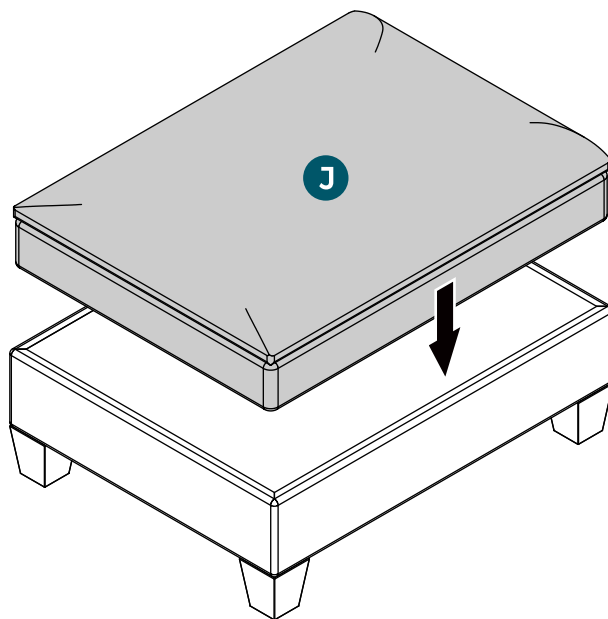


# Assembly Instructions

## Step 13

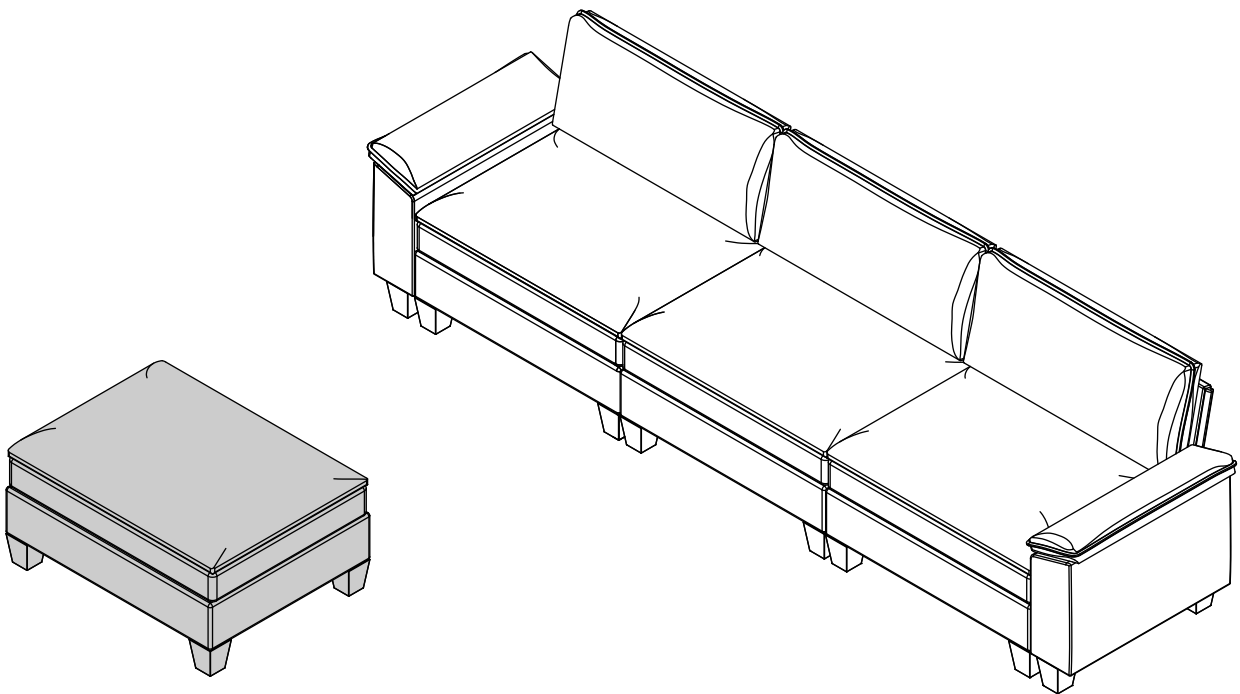


## Step 14

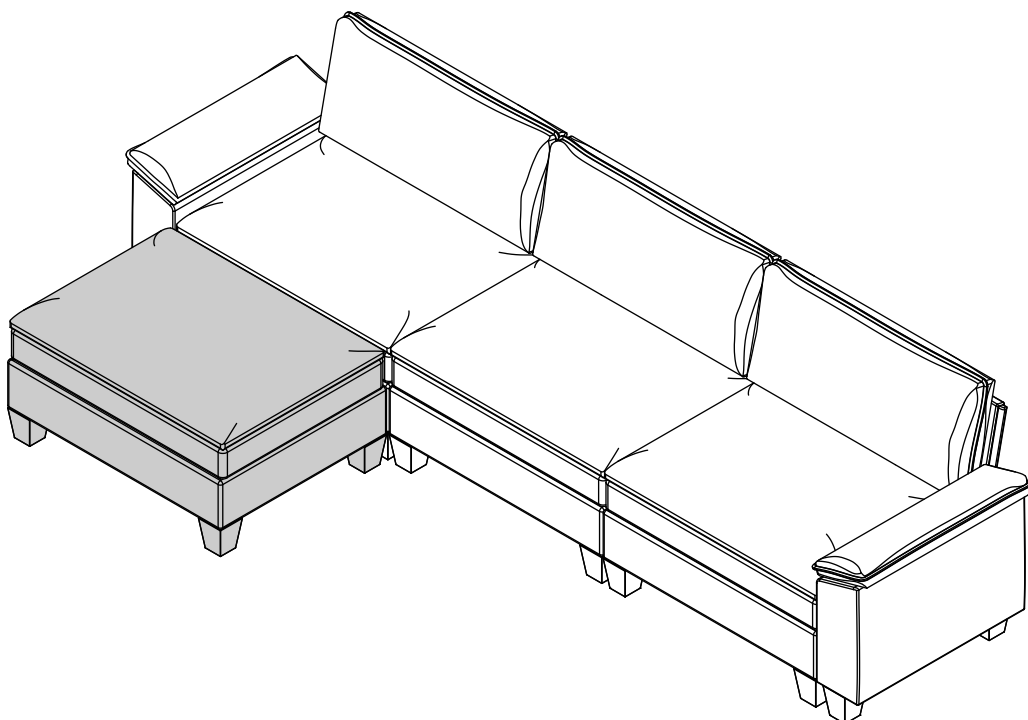


# Assembly Instructions

## Step 15



## Step 16



Congratulations you have the modular sofa done.



Dear Valued Customer,

Thank you for bringing LINSY HOME into your life, where our mission is to "Make Life Better." Your happiness and satisfaction are at the heart of what we do.

If our products have brightened your day, we're thrilled and eager to share that light further.

Encountering an issue? We're here to help swiftly and effectively.

Here's how you can reach us:

---

## Get in Touch

Email us at [Support@linsyhome.com](mailto:Support@linsyhome.com)

## Share Details

Provide your order number and a photo of the issue, along with a brief description.

## Await Solutions

Our team will quickly review and propose the right after-sales solution to make things right.

---

Your feedback propels us forward.

We're committed to ensuring your LINSY HOME experience is always positive.

Warmest thanks,

The LINSY HOME Team