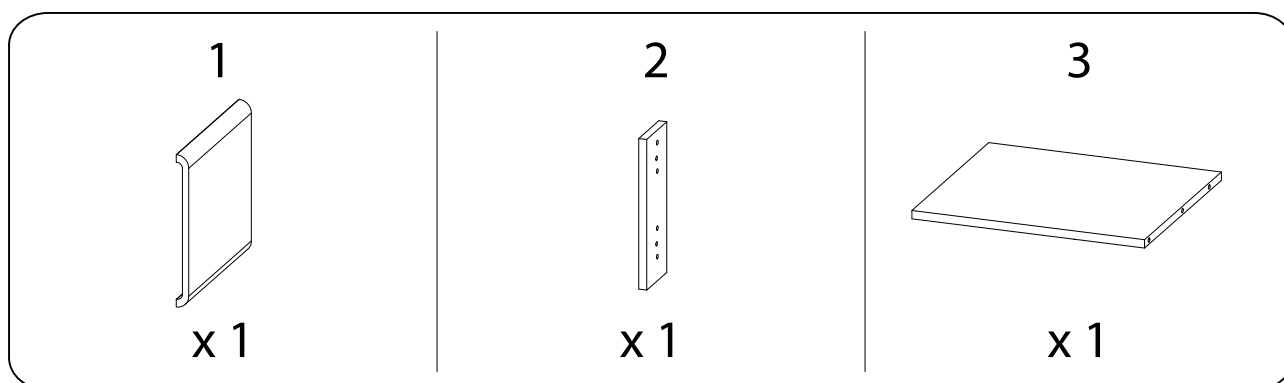
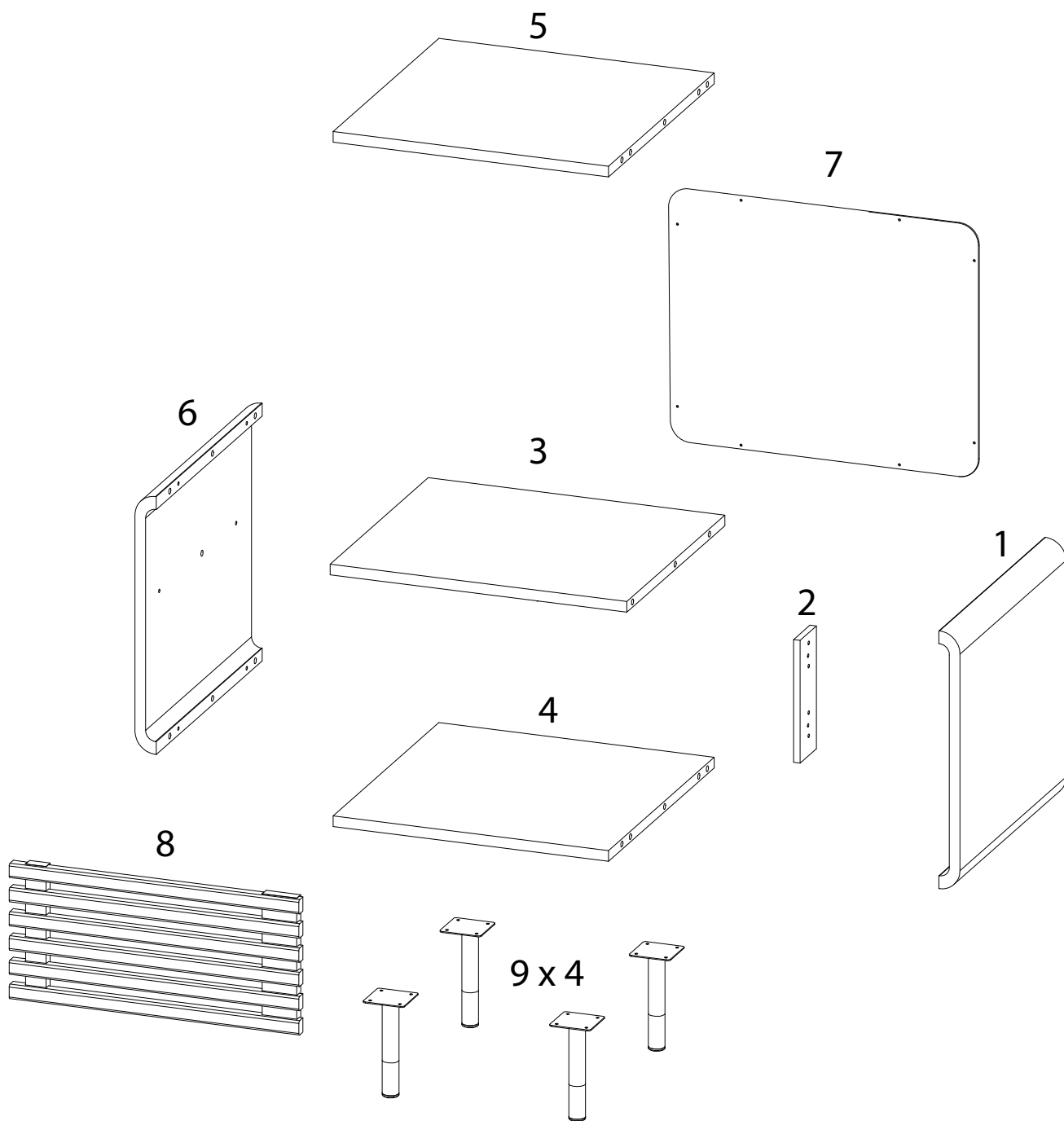
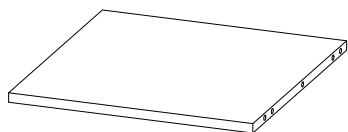


Assembly instructions for step 1/9:

- Tools:** A screwdriver is shown as the required tool. A power drill is shown with a diagonal line through it, indicating it is not to be used.
- Warning:** A warning triangle with an exclamation mark is positioned to the right of the tool icons.
- Time:** A clock icon indicates that the estimated assembly time for this step is 45 minutes.
- Personnel:** An icon of a person indicates that two people are required for this step.

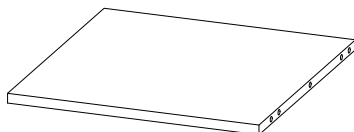


4



x 1

5



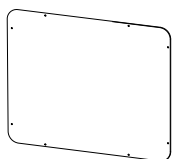
x 1

6



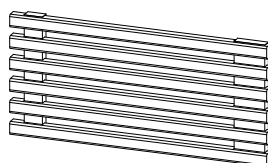
x 1

7



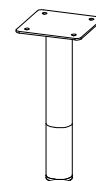
x 1

8



x 1

9



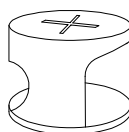
x 4

A



x 12

B



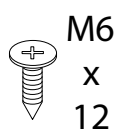
x 12

C



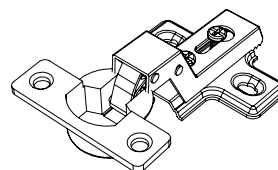
x 14

D



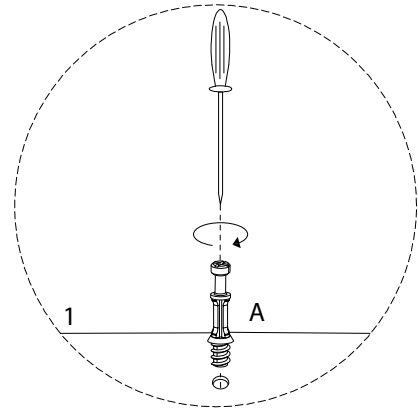
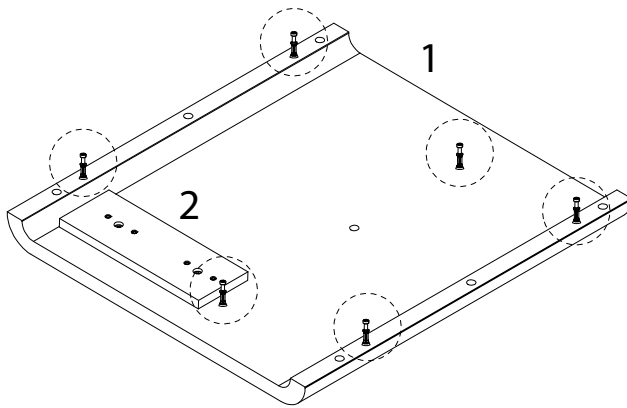
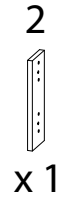
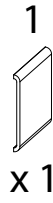
x 32

E

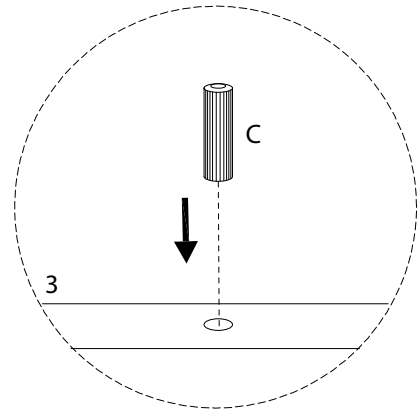
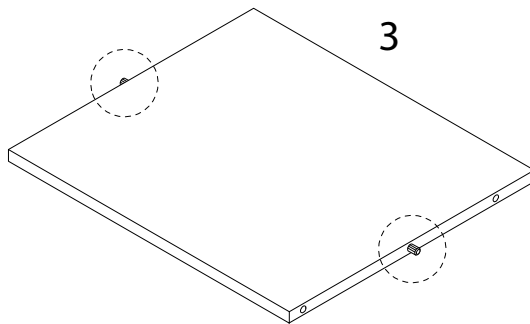
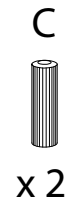
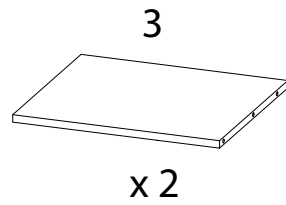


x 2

1

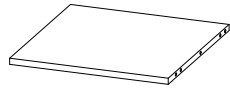


2



3

4

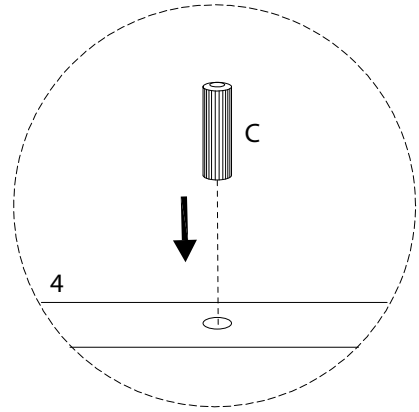
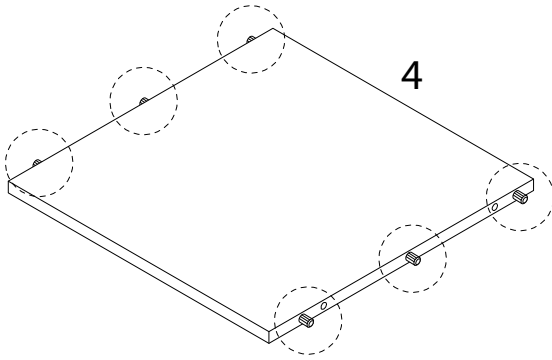


x 1

C

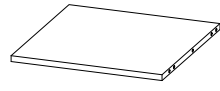


x 6



4

5

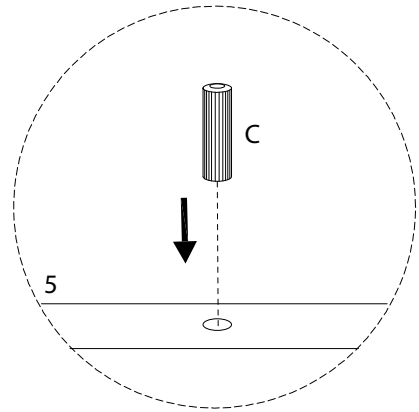
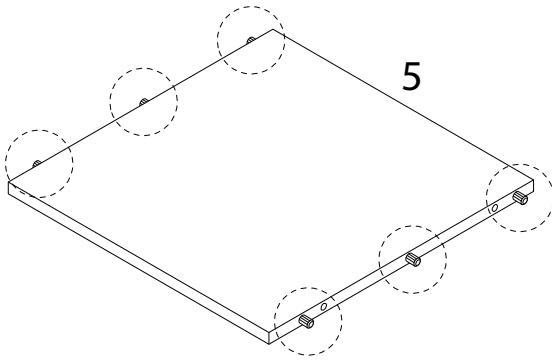


x 1

C



x 6



5

6

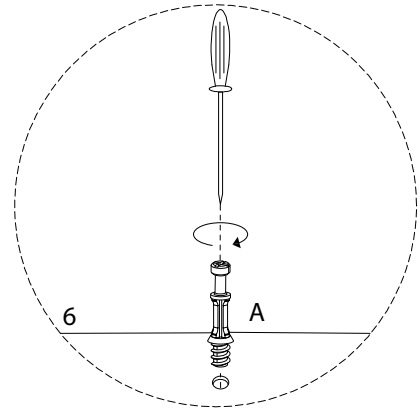
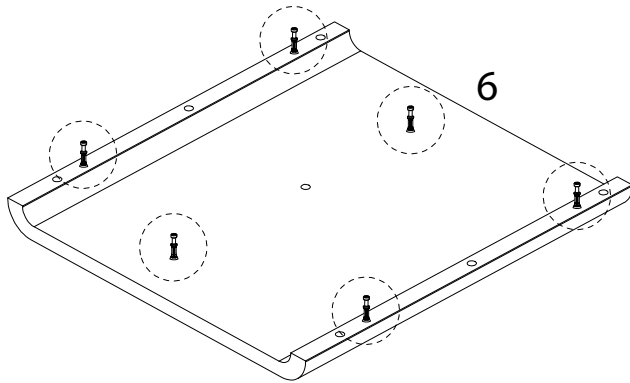


x 1

A



x 6

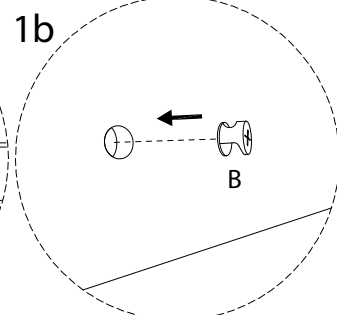
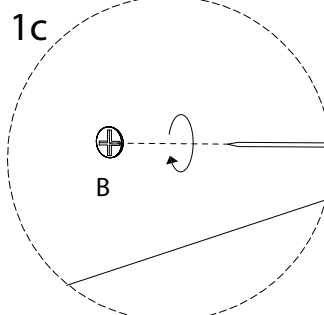
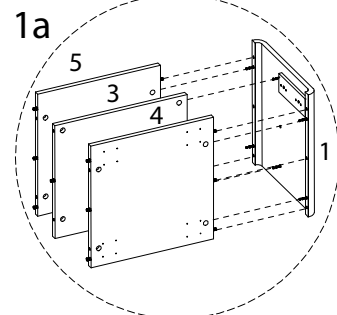
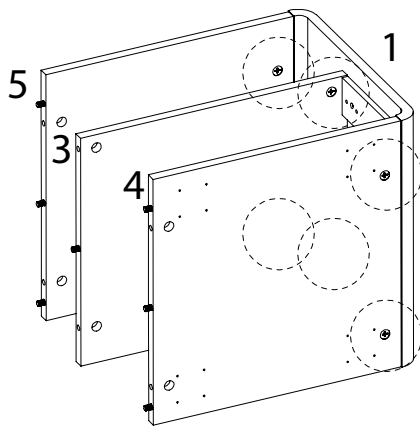


6

B



x 6

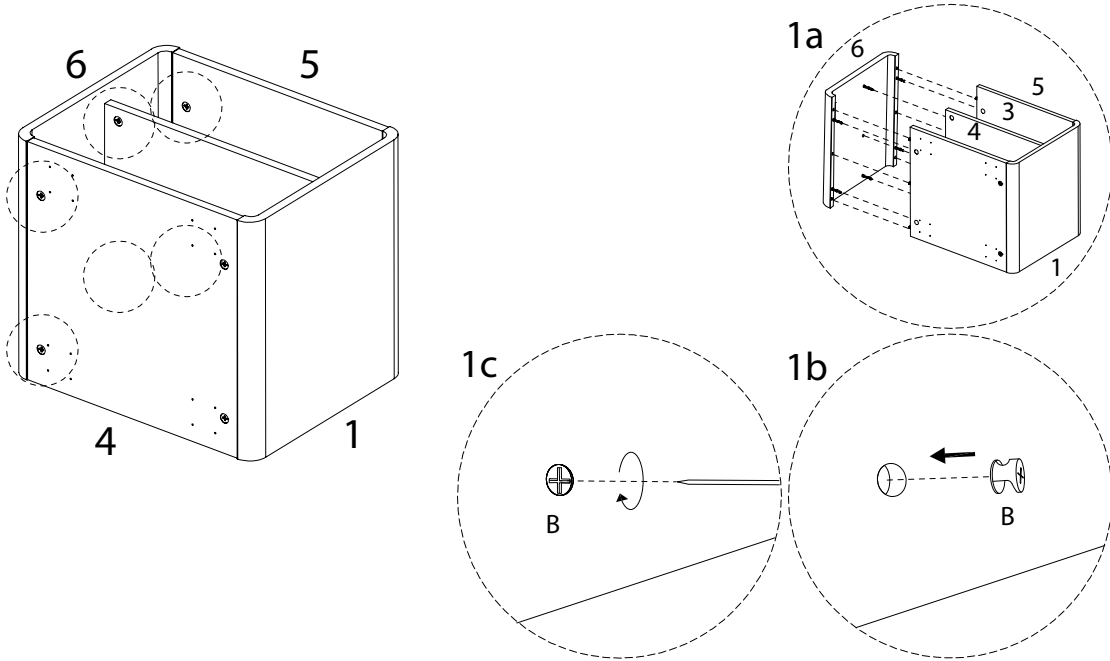


7

B

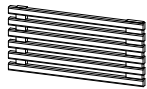


x 6



8

8



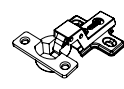
x 1

D

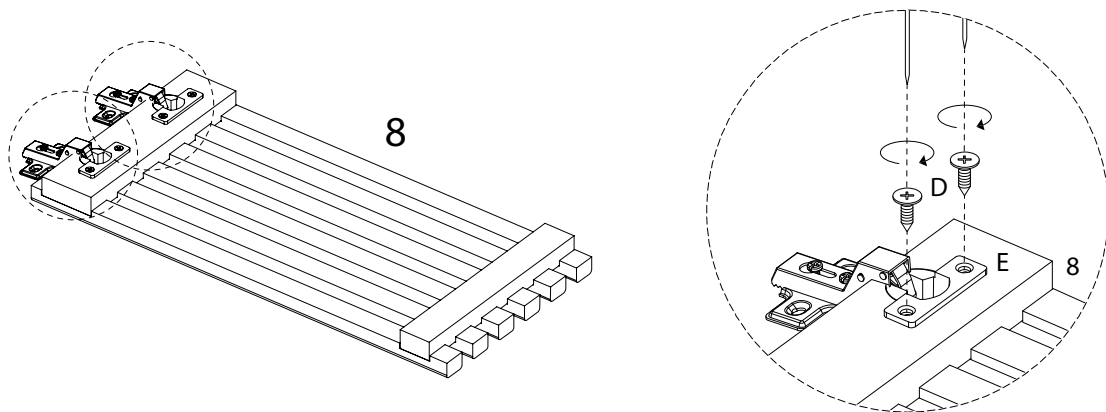


x 4

E



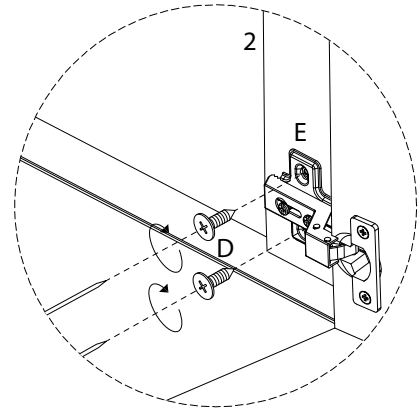
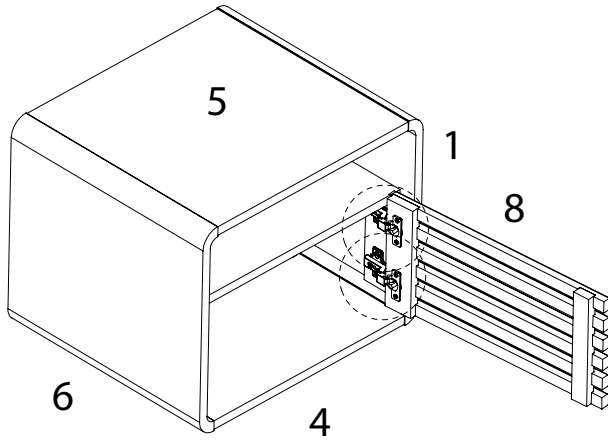
x 2



9

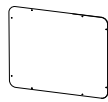
D

M6  
x  
12  
x 4



10

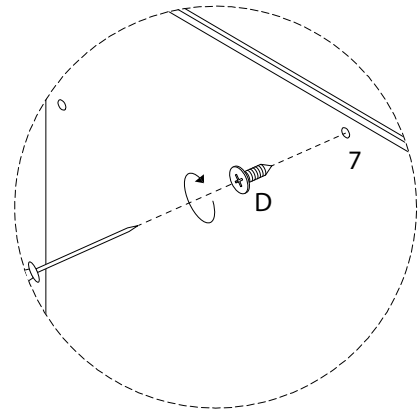
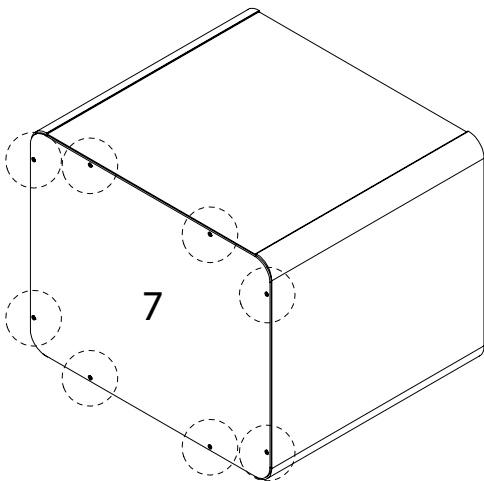
7



x 1

D

M6  
x  
12  
x 8



11

