



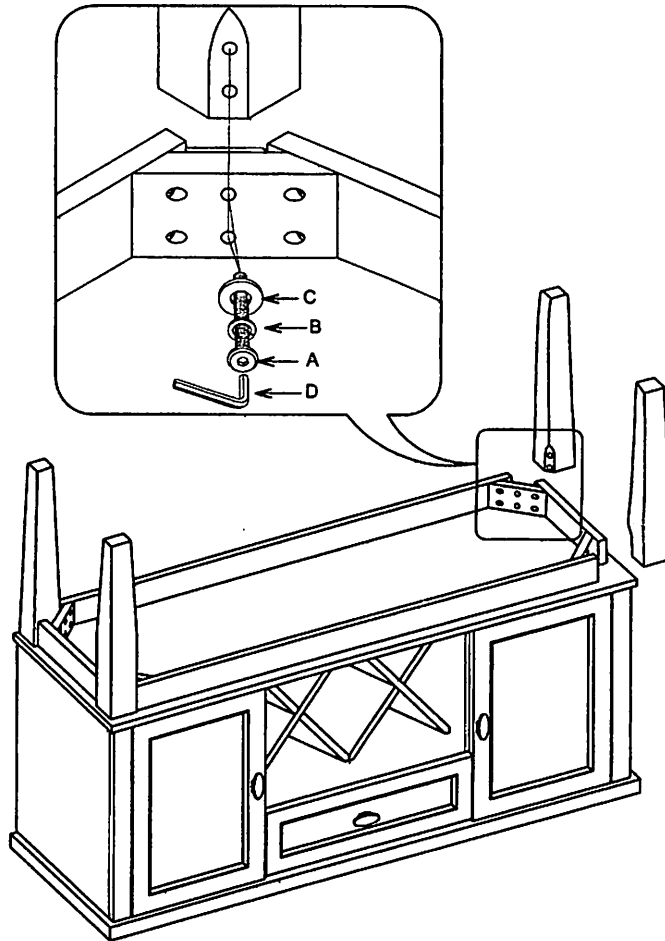


ASSEMBLY INSTRUCTION

PAGE 1 OF 1

NO#	Hardware list		Q'TY
A	BOLT	 5/16" x 63mm	8pcs
B	LOCK WASHER	 5/16"	8pcs
C	WASHER	 5/16"	8pcs
D	ALLEN KEY	 4 mm	1pc

STEP 1



STEP 2

