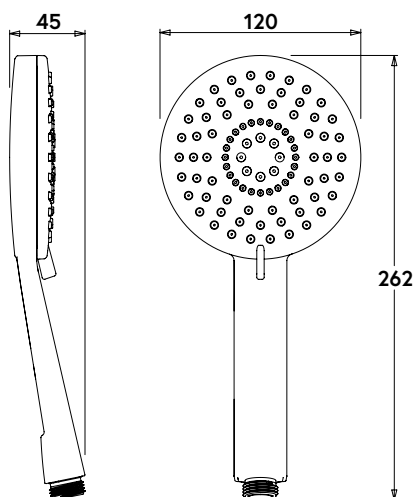


AM178541 BELMORE FIVE FUNCTION SHOWER HEAD



Dimensions: H262mm x W120mm x D45mm

GUARANTEE

Consumer Statutory Rights Apply



Aqua Air™

5 SPRAY
PATTERN



Tel: +44 (0) 1264 365881
Fax: +44 (0) 1264 356437
Email: info@croydex.co.uk
Web: www.croydex.com

Printed material, designs and packaging are protected by copyright and design right.

MATERIAL

Handset body: ABS

Spray Plate: ABS

Nozzles: TPE

Washer: NBR

Aqua Air™ Cartridge: POM, EDM, NBR and Silicone

COLOURS

Handset: Chrome

Spray Plate: Chrome

Nozzles: Grey

WEIGHT

201g

PACKAGING

Full colour open box E flute with retractable Euro slot.

FREQUENTLY USED APPLICATIONS

Residential

Hotels

Commercial

FEATURES

Rub clean nozzles.

Chrome five function shower handset.

Ideal for all shower types.*

Universal ½" BSP connection.

Supplied with Aqua Air™ water saving cartridge which allows up to 50% water saving with an enhanced, volumised showering sensation.

PERFORMANCE STANDARDS

Meets performance requirements of service condition 3.

Minimum grade 9 when assessed using BS EN ISO 10289 after 96 hours Neutral Salt Spray (NSS) testing in accordance with BS EN ISO 9227.

CARE AND MAINTENANCE

Clean surfaces with a damp cloth and wipe dry using a soft cloth.

Do not use chemical or abrasive cleaners as these may damage the surface finish.

* Do not use the Aqua Air™ water saving cartridge with electric showers before checking the compatibility with the electric shower manufacturer.

Date Created: 20/01/23 | REV 002