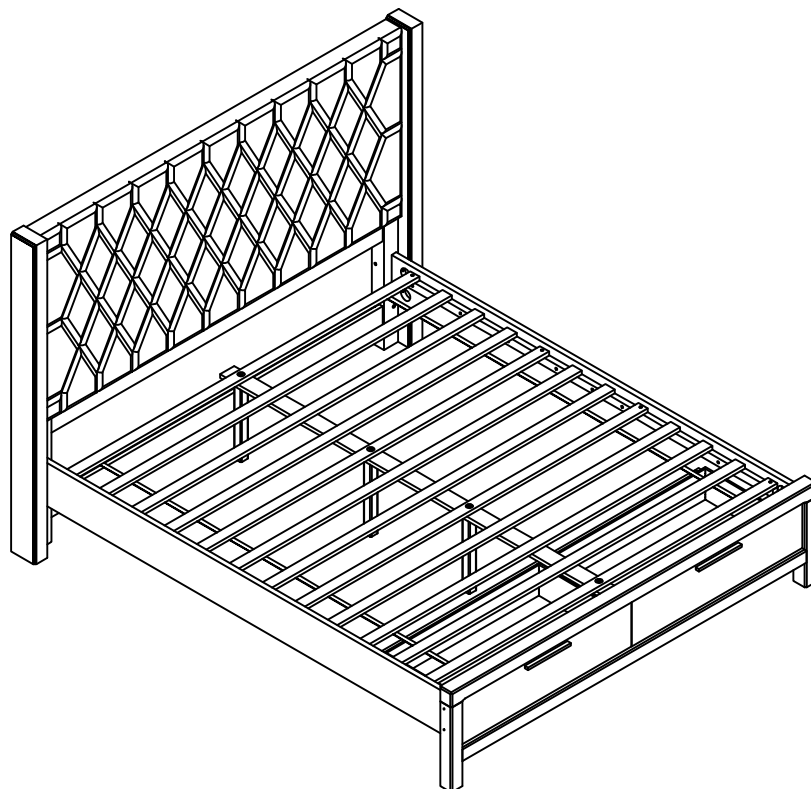


Furniture of America®

Assembly Instructions

CM7577CK / EK-DR



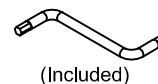
ASSEMBLY RATING

The Assembly Rating is a 5-point system that shows the degree of effort needed in assembling a specific product (with 1 being easy and 5 being difficult). For some products, two persons are recommended.

EASY  DIFFICULT

Tools Required For Assembly:

Allen Wrench



(Included)

Wrench



(Included)

Phillips Screwdriver



(Not Included)

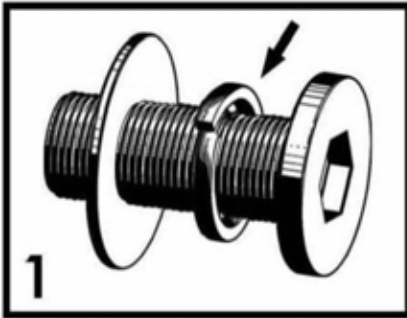


2 PERSONS RECOMMENDED

ASSEMBLY & CARE ADVICE

FOR YOUR FURNITURE TO LAST, CORRECT ASSEMBLY AND PROPER MAINTENANCE ARE NECESSARY. PLEASE FOLLOW THE INFORMATION PROVIDED BELOW TO FULLY ENJOY YOUR FURNITURE.

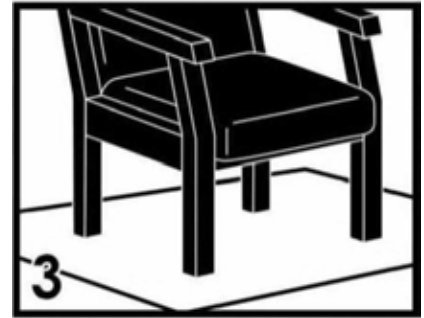
BASIC ASSEMBLY TECHNIQUES



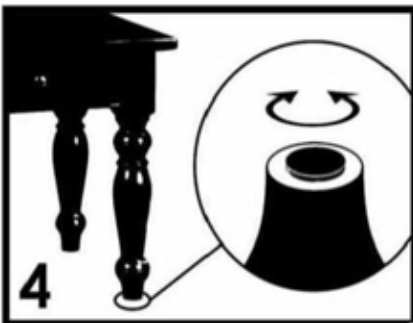
When lock or spring washer is used in an assembly, please make sure the lock or spring washer is placed between the larger flat washer and the head of the screw or bolt.



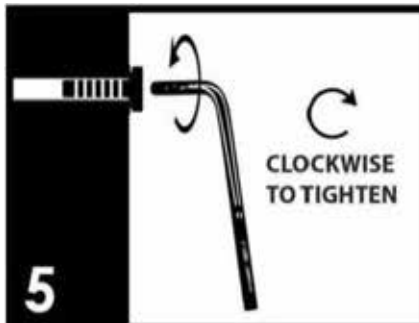
Position each part correctly and insert screws or bolts into their respective holes by hand tighten or using the proper hand tool. Only tighten when step is completed or when instructed to do so.



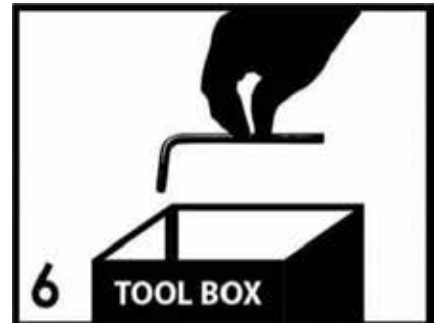
Use cardboard or carpet area when assembling furniture to prevent scratches. Make sure the furniture rests on a flat and level surface with each leg evenly touching the floor.



Some furniture comes with height adjustment knobs underneath each leg. To lower or to raise each leg, you need to turn clockwise or counterclockwise, respectively.

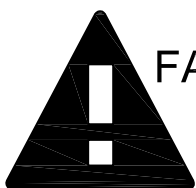


Make sure all parts are properly aligned, then use the appropriate hand tool to completely tighten the bolts or screws. Do not use power tools and do not overtighten.



Save the instructions and store the Allen wrench or any supplied tool for later maintenance. After two weeks, check and tighten any loose hardware and repeat again every six months thereafter.

IT IS THE USER'S RESPONSIBILITY TO MAINTAIN THE FURNITURE. THE HARDWARE MAY LOOSEN OVER TIME AND MAY CAUSE THE FURNITURE TO BE WOBBLY AND UNABLE TO SUPPORT ITS INTENDED WEIGHT CAPACITY. THIS MAY LEAD TO COLLAPSE AND MAY CAUSE SERIOUS INJURY.



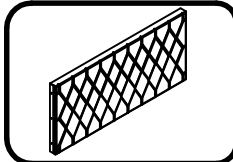
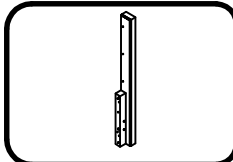
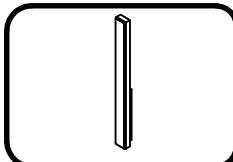
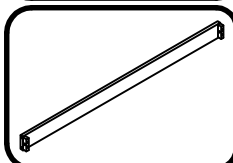
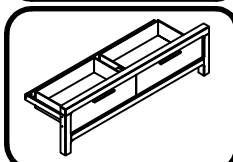
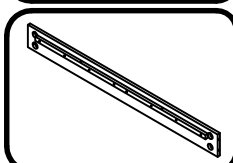
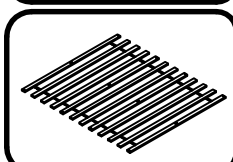
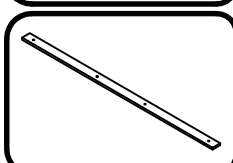
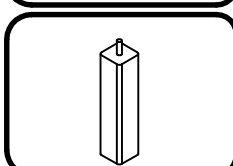
FAILURE TO FOLLOW THE GUIDELINES ABOVE MAY RESULT IN INJURY AND/OR PROPERTY DAMAGE.



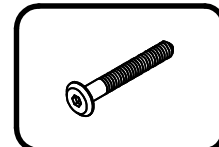
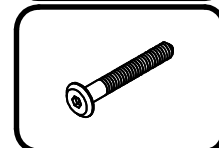
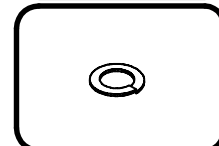
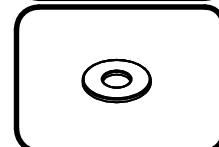
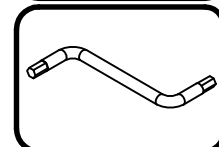
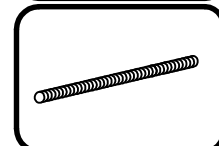
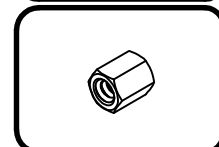
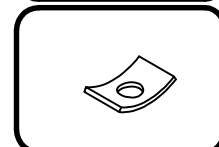
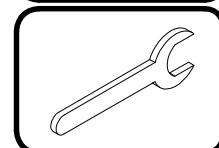
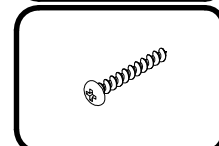
Before you begin, please read Page 2 of "Assembly and Care Advice".

And remember, do not tighten until each step is completed or instructed.

Parts List

-  #1 x 1 pc
Headboard
-  #2R x 1 pc
Right H/Board Leg
-  #2L x 1 pc
Left H/Board Leg
-  #3 x 2 pcs
Leg Support
-  #4 x 1 pc
Footboard Storage
-  #5 x 2 pcs
Side Rail
-  #6 x 12 pcs
Slat
-  #7 x 1 pc
Center Slat
-  #8 x 3 pcs $\text{Ø}1/4"$
Slat Support Leg
352 x 40 x 40mm

Hardware List

-  #A x 6 pcs
Bolt 1/4" x 2"
-  #B x 4 pcs
Bolt 1/4" x 1-5/8"
-  #C x 10 pcs
Lock Washer
-  #D x 10 pcs
Flat Washer
-  #E x 1 pc
Allen Wrench
-  #F x 8 pcs
Threaded Stud
-  #G x 8 pcs
Hex Nut
-  #H x 8 pcs
Beveled Washer
-  #I x 1 pc
Wrench
-  #J x 8 pcs
Screw 1-1/4"



Before you begin, please read Page 2 of "Assembly and Care Advice".

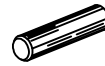
And remember, do not tighten until each step is completed or instructed.

Parts List



#9 x 3 pcs Ø1/5"
FB Support Leg
233 x 40 x 40mm

Hardware List



#K x 4 pcs
Dowel Mahony

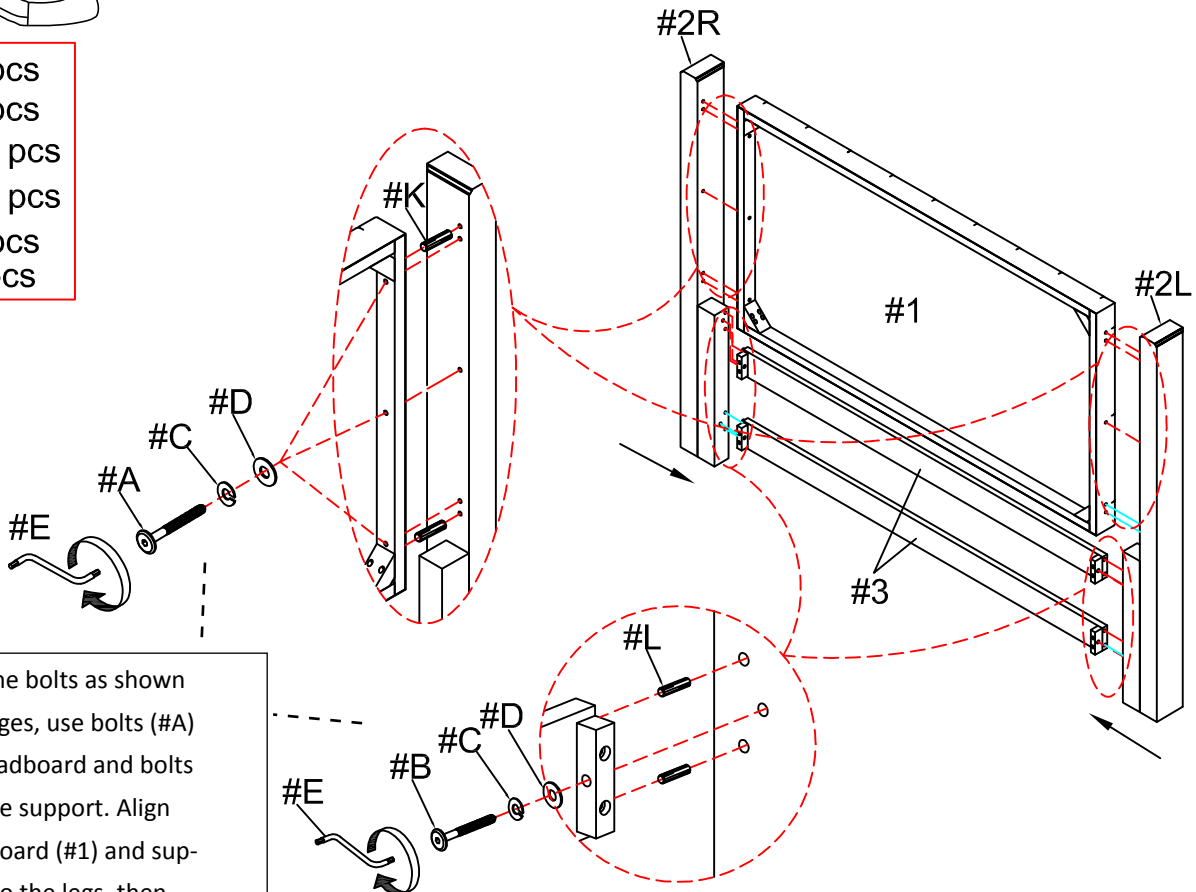


#L x 8 pcs
Dowel Pinus

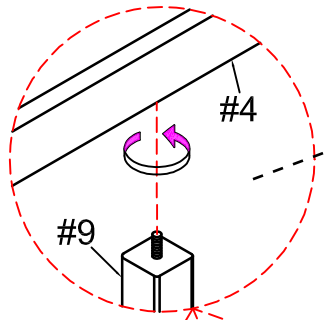


1. Insert the dowels (#K) into the holes along each end of the headboard (#1) and dowels (#L) into the supports (#3), then into the holes along the left and right h/board legs (#2).

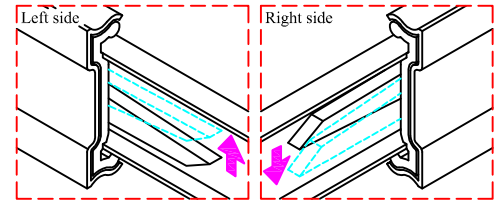
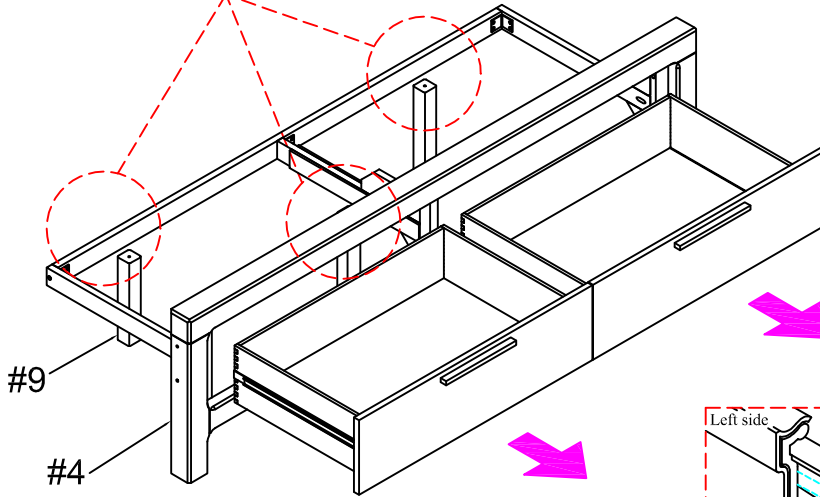
#A x 6 pcs
#B x 4 pcs
#C x 10 pcs
#D x 10 pcs
#K x 4 pcs
#L x 8 pcs



2. Prepare the bolts as shown in the images, use bolts (#A) for the headboard and bolts (#B) for the support. Align the headboard (#1) and support (#3) to the legs, then insert the bolt assemblies, secure.

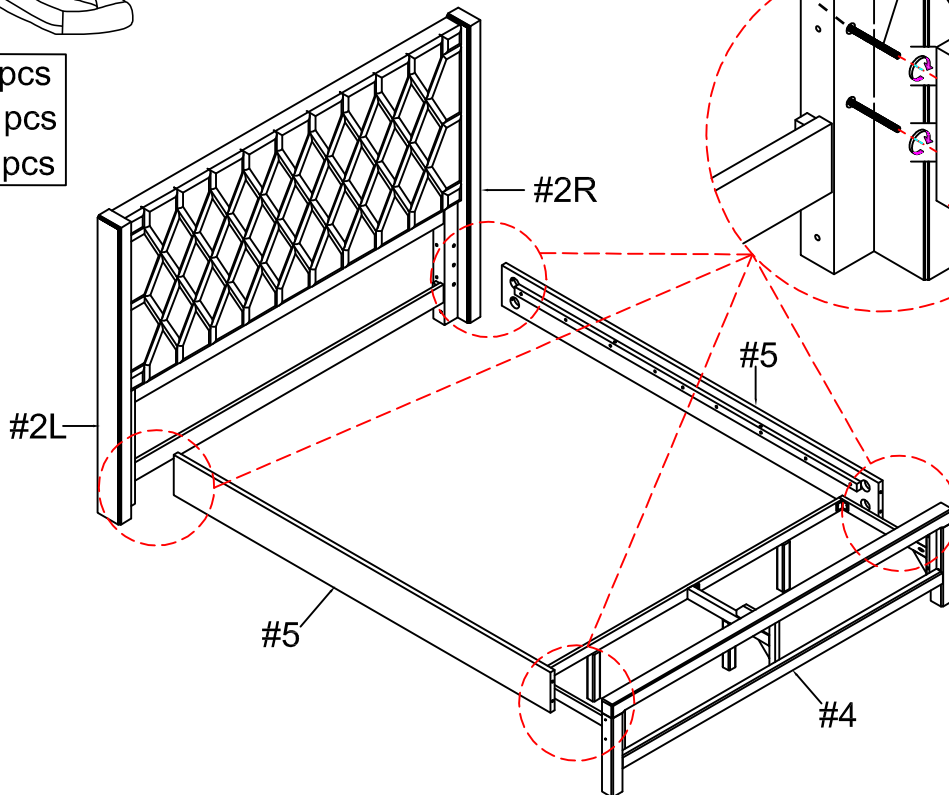


Insert the threaded end of the FB support legs into the holes along the footboard storage (#4), turn right to tighten.



1. Insert the threaded studs (#F) into the holes along the headboard (#1) and footboard storage (#4), turn right to tighten.

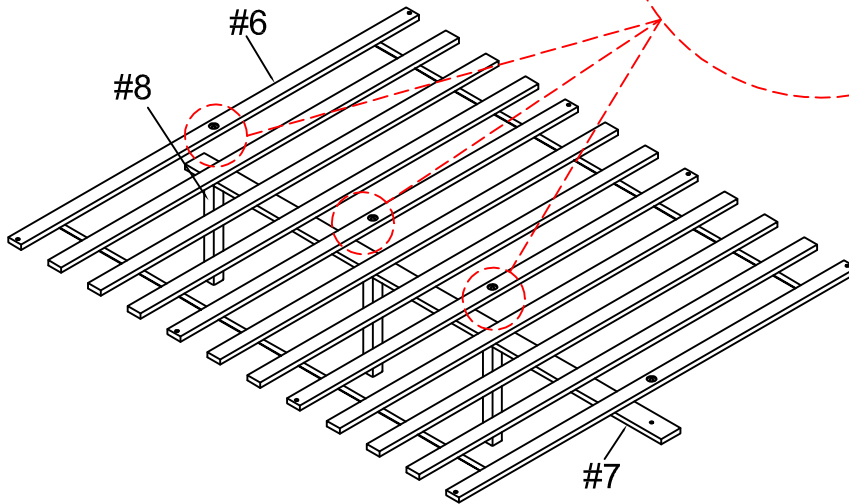
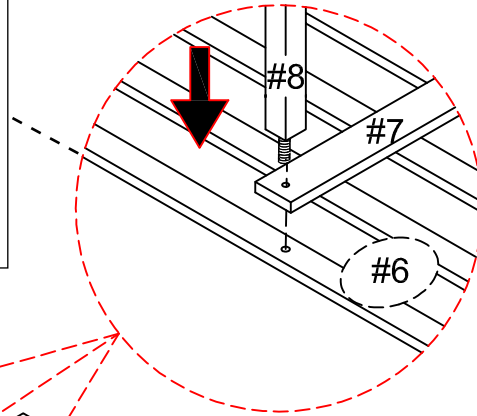
- #F x 8 pcs
- #G x 8 pcs
- #H x 8 pcs



2. Place each end of the side rails (#5) onto the studs, then apply a beveled washer (#H) and a hex nut (#G) from within. Secure using the wrench (#I).

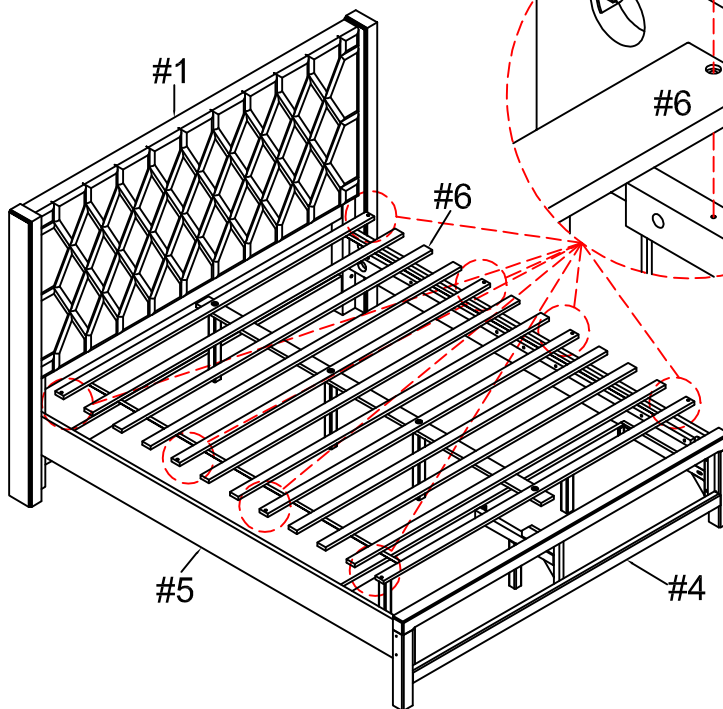
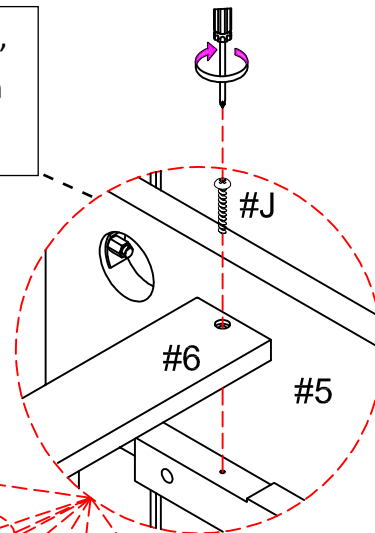


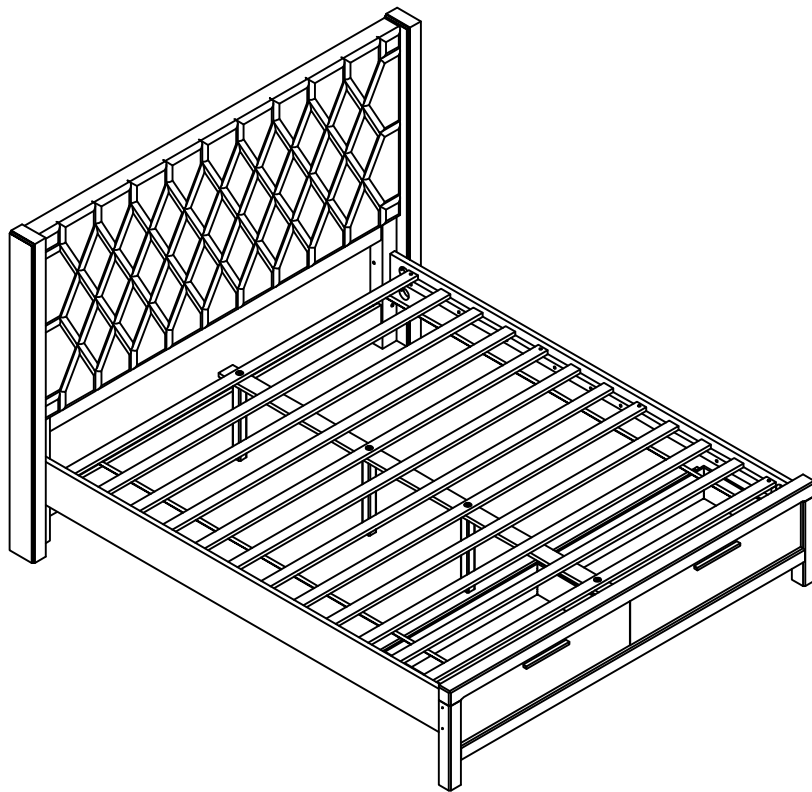
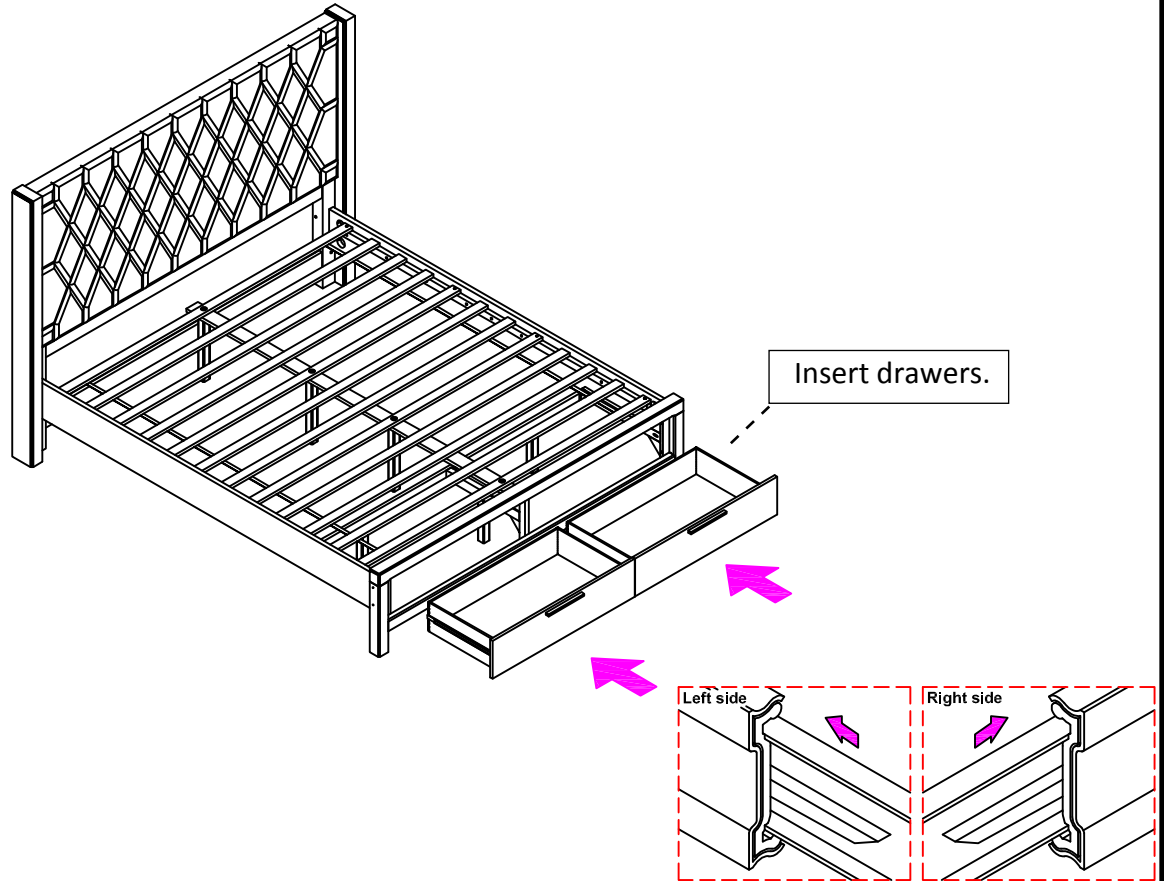
Align the center slat (#7) to the holes along the slats (#6), then insert the threaded end of each slat support leg (#8) into the holes. Turn right to tighten.



Place the slats onto the side rails, then insert a screw (#J) into each end. Secure using a screwdriver.

#J x 8 pcs





ASSEMBLY IS COMPLETED