

ASSEMBLY INSTRUCTION



AX1



BX1



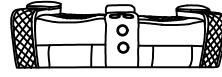
CX1



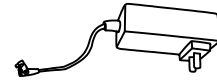
DX1



EX1



FX1

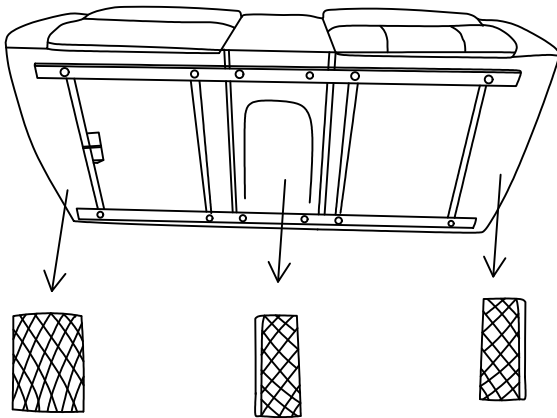


GX1

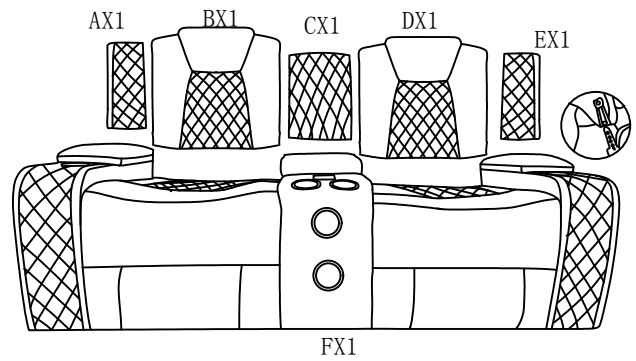


HX1

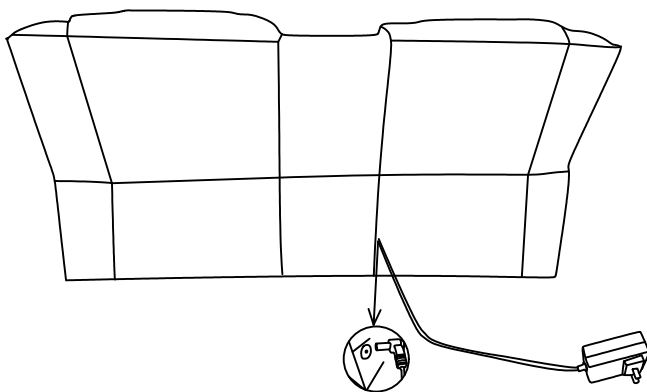
STEP1



STEP2



STEP3



STEP4

