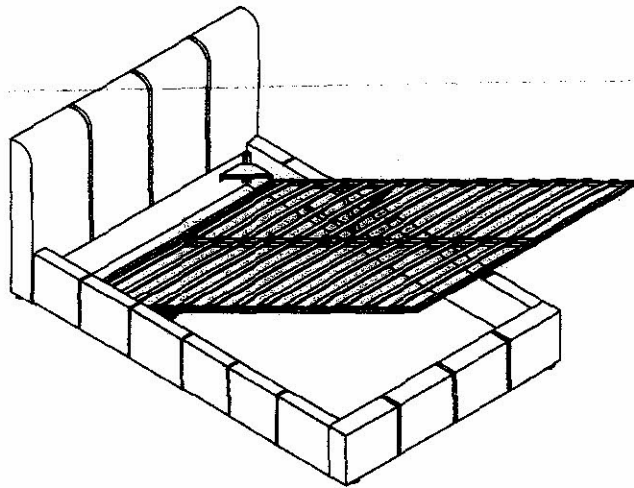


# ASSEMBLY INSTRUCTIONS

## IMPORTANT

Please inspect all items carefully before assembling.  
If for any reason you need to return this item, you must return it in its original packaging.  
Assembled items cannot be returned.



Minimum No. of people  
recommended to assemble  
this product: 2

Approx assembly time: 

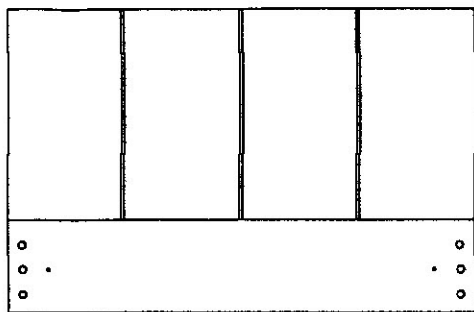
## HELPFUL ADVICE PRIOR TO ASSEMBLING THE BED

- 1) Owing to the size and weight of the bed, we recommend that it is assembled by two adults, on a flat surface, in the room that it is intended for.
- 2) Please do not use any tools other than those provided or recommended in these instructions.
- 3) Please do not discard any packaging until you have checked that you have all the parts and fittings. Keep all fittings out of reach of children.
- 4) Assemble all parts loosely until advised to tighten. Depending on use, it may be necessary to tighten the fittings from time to time, so please save your allen key and spanner that has been provided.

## WARNINGS

- 1) Please ensure children do not play in the storage area or try to lift up the metal frame.
  - 2) Once assembled, put mattress on frame before pushing it down and only lift up or push down the metal frame with mattress on top.
  - 3) Please do not stand on the storage base at any time.
- Do not throw away any of the packing or the instruction book until you have checked all the components and fittings and the furniture is fully assembled.

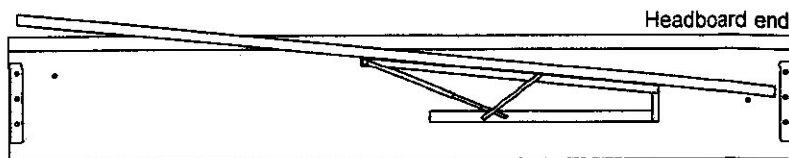
# Components



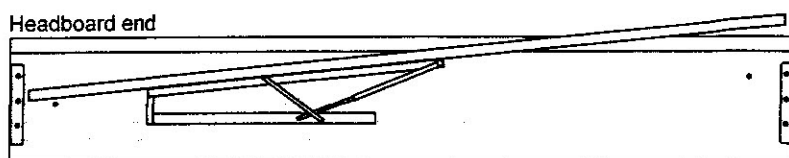
Headboard **1**



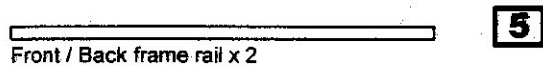
Footboard **2**



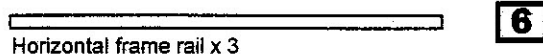
Left side rail **3**



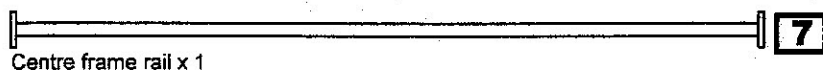
Right side rail **4**



Front / Back frame rail x 2 **5**



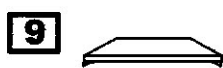
Horizontal frame rail x 3 **6**



Centre frame rail x 1 **7**



**8** Plastic bracket sets x 4



**9** Corner brackets x 4



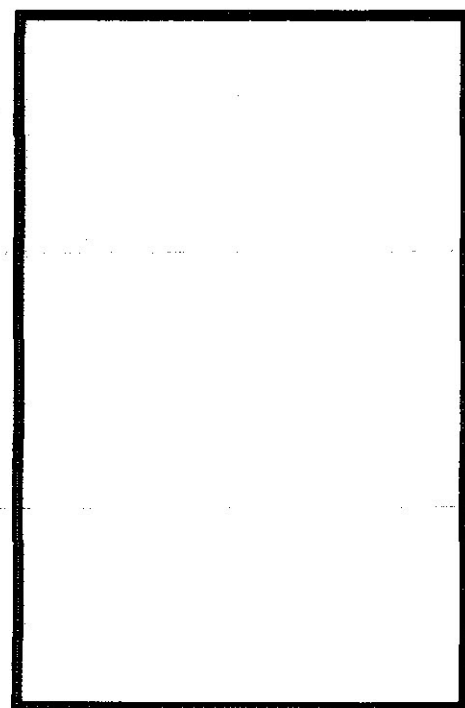
**10** Holding blocks x 1



**11** Adjustable legs x 4



**12** Belt x 1



**16** Woven fabric x 1



**13** Bent slats  
x 26 ( single & double )  
x 30 ( king )


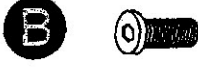





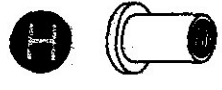



**14** Side slat caps  
x 26 ( single & double )  
x 30 ( king )



**15** Centre slat caps  
x 13 ( single & double )  
x 15 ( king )

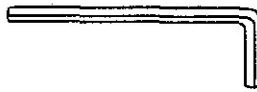
# Components - Fittings

 25mm M8 Bolt x 12	 15mm M6 Bolt x 12	 20mm M6 Bolt x 8
 30mm M6 Bolt x 6	 68mm M6 Bolt x 2	
 Spring washer x 12	 Flat washer x 12	 Flat head nut x 8
 Flange nut x 2		

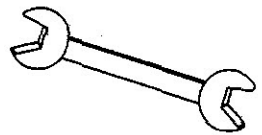
## Tools required (supplied)



5mm Allen key x 1



4mm Allen key x 2



Spanner x 1

# Assembly Instructions

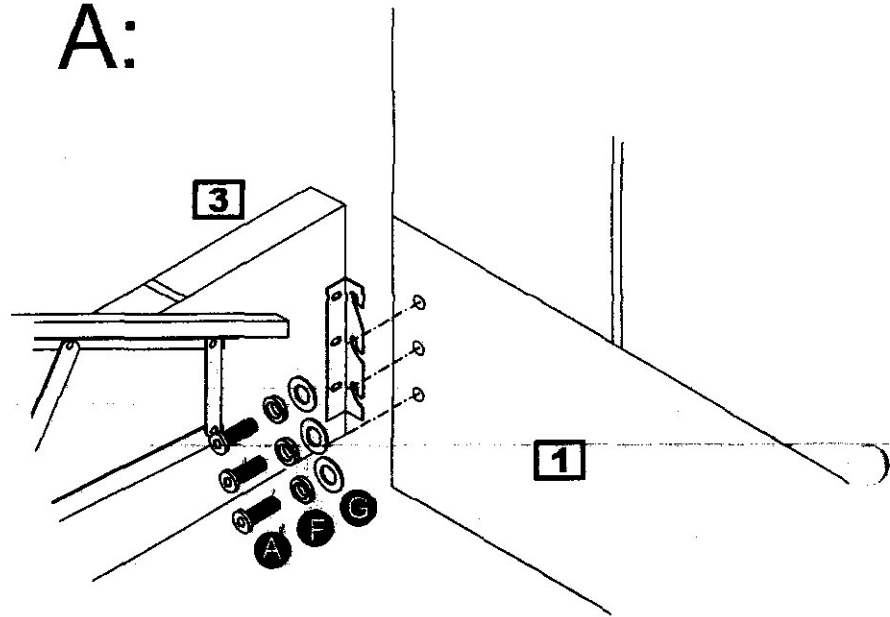
## Step 1:

Attaching side rails

A: Position left side rail(3) adjacent to headboard(1) so that the holes in the headboard line up with the bracket on the side rail.

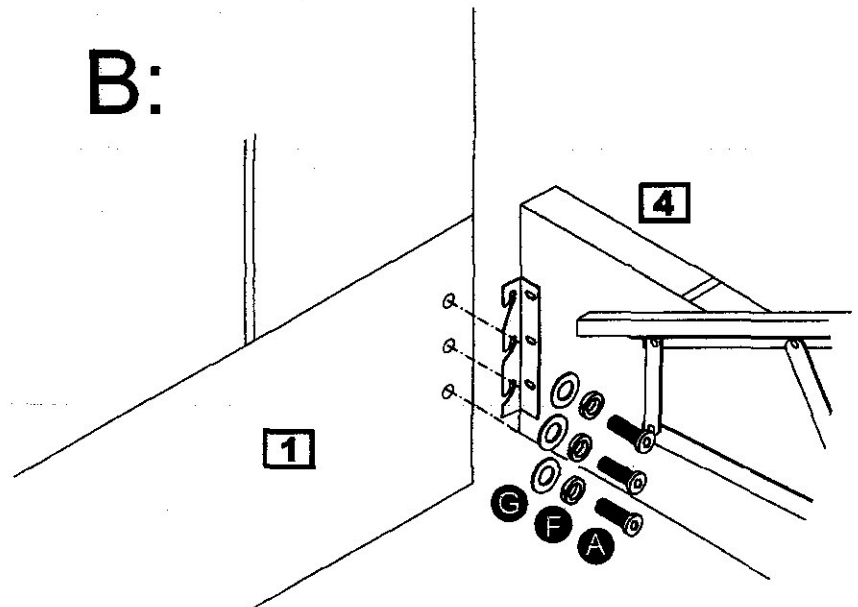
Secure in place using 3 bolts(A), spring washers(F) and flat washers(G) using the allen key provided.

**A:**



B: Repeat point a for right side rail(4).

**B:**

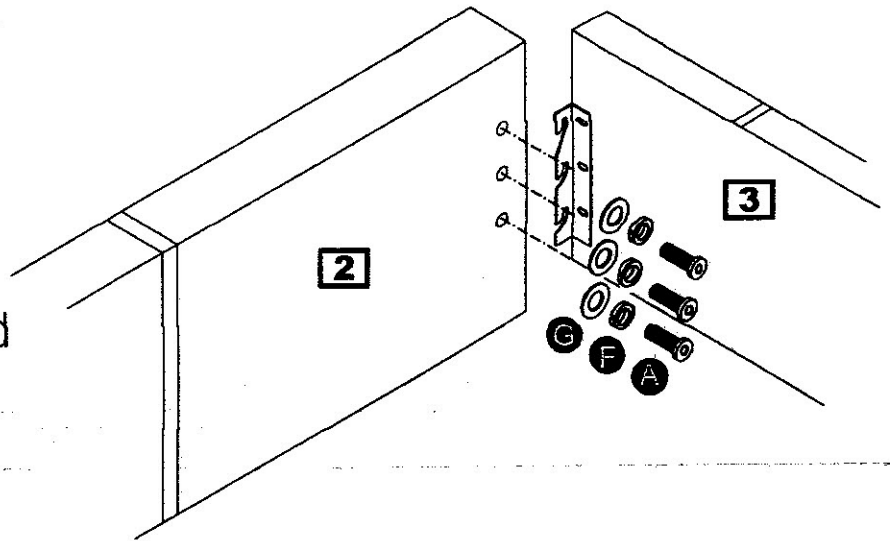


# Assembly Instructions

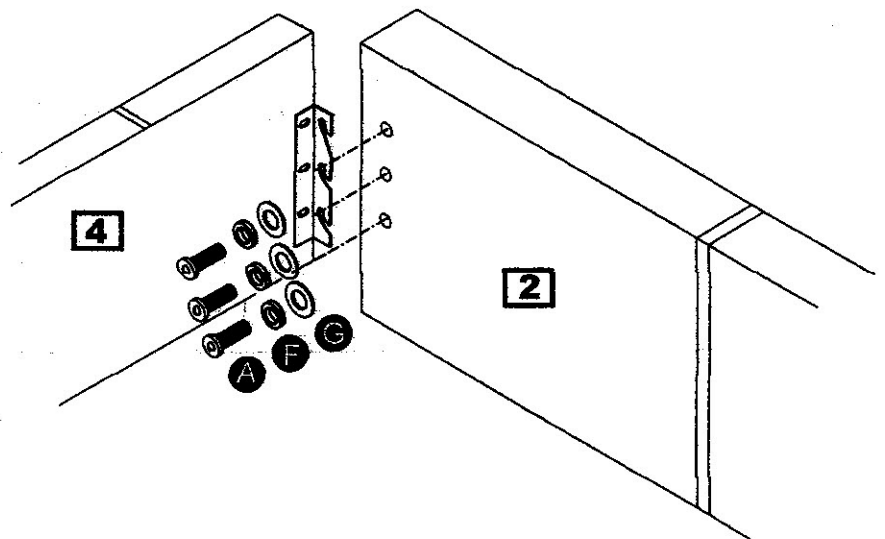
## Step 2:

### Attaching footboard

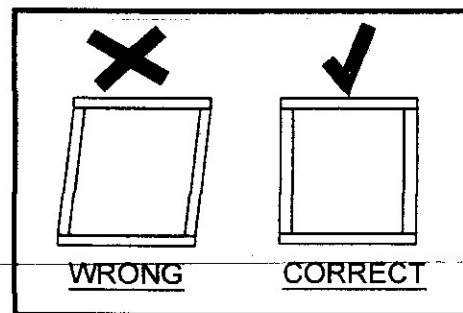
Place footboard (2) in position at the end of the side rails (3) & (1) so the holes in the footboard line up with the brackets on the side rail.



Secure in place using 3 bolts (A), spring washers (F) and flat washers (G) using the allen key provided.



Before tightening the bolts, please ensure the bed frame is square.



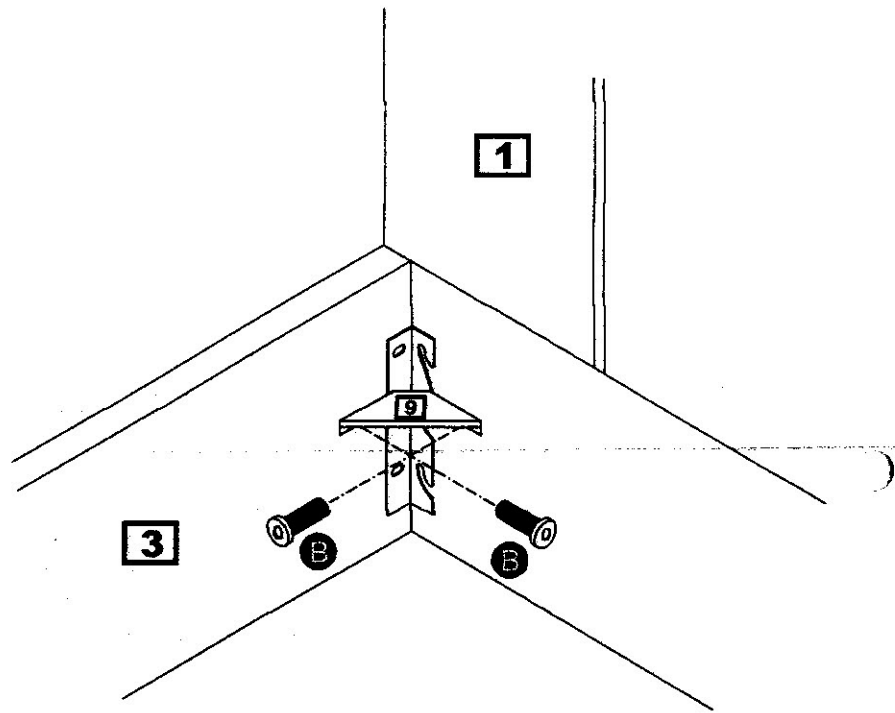
# Assembly Instructions

## Step3:

Fix corner brackets

Fix corner bracket(9) in position between the left side rail(3) and headboard (1) using bolt(B).

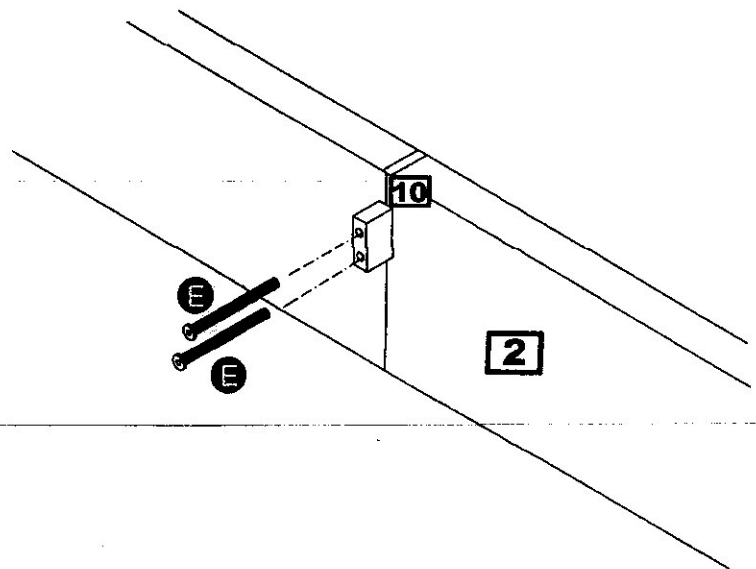
Repeat for other 3 corner brackets in each corner of the bed frame.



## Step4:

Fix holding block

Fix holding block (10) onto footboard (2) using bolt (E) and tighten using allen key.



# Assembly Instructions

## Step 5:

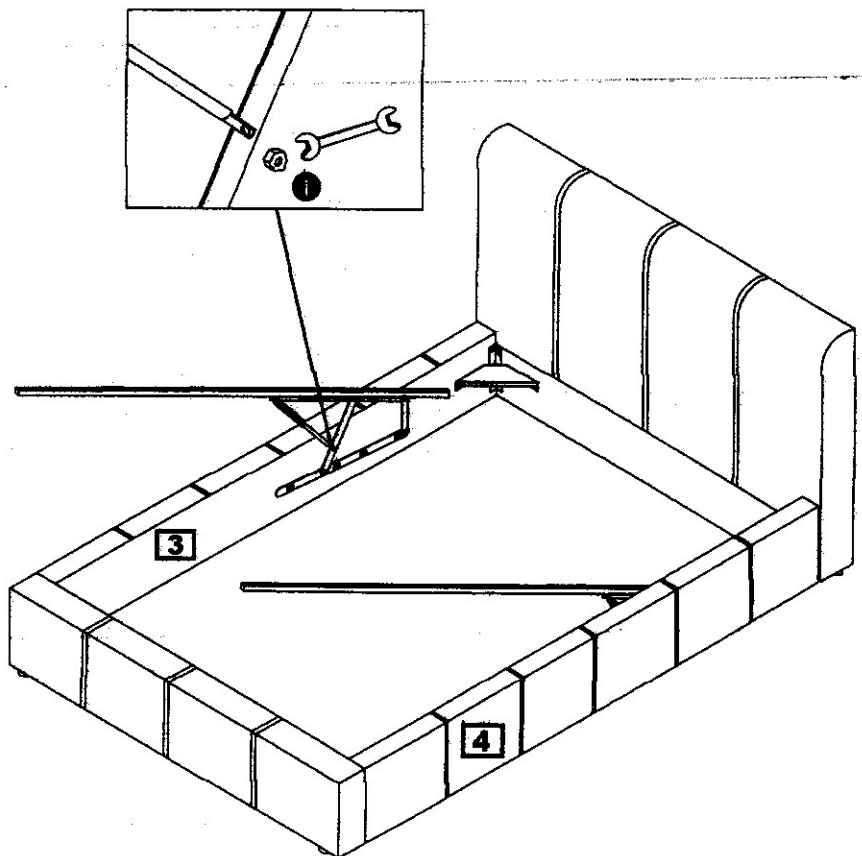
### Secure pneumatic arms

Before connecting the pneumatic arms, ensure the lifting mechanism is functioning correctly - it should lift up and down freely with adequate clearance on all sides.

Please ensure the pneumatic arm is the correct orientation. The thinner section should be attached to the side rail, and the thicker part is connected to the slat frame.

Secure the pneumatic lifting mechanisms on the side rails (3) & (4) into place by using flange nuts (1) as shown.

Do not overtighten the nuts.



# Assembly Instructions

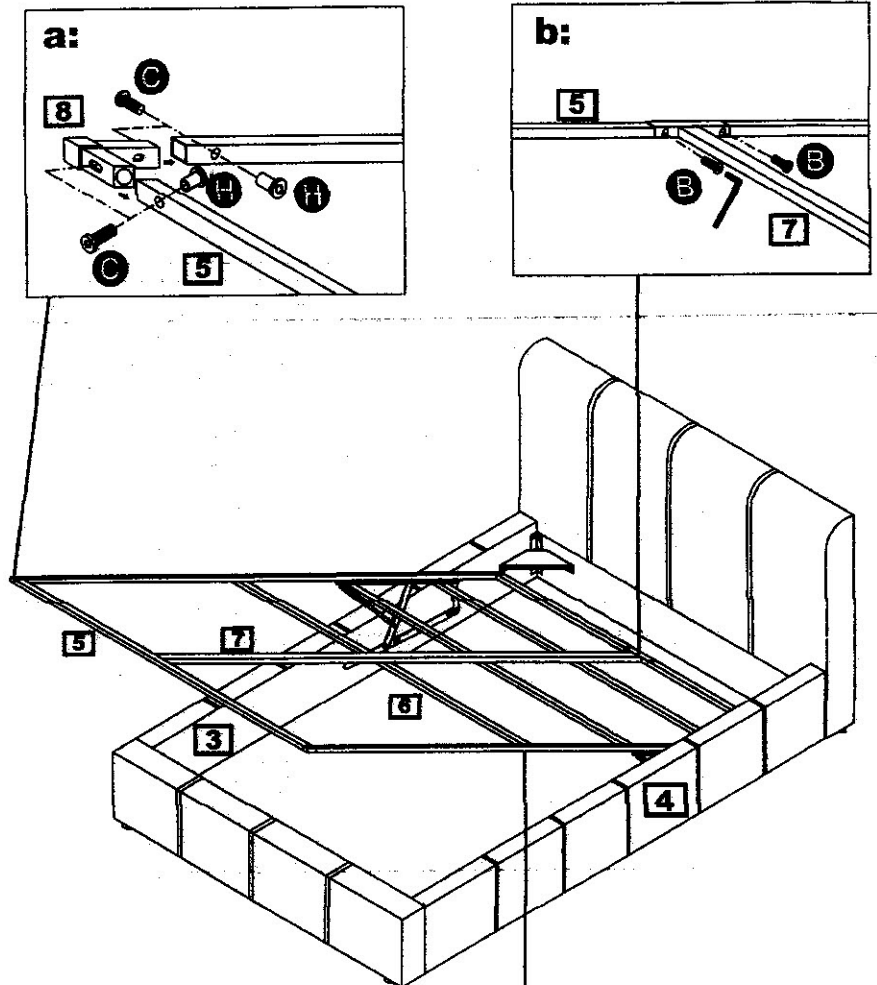
## Step6:

### Assemble slat frame

A: Fix the front/back frame rails(5) to the side support rails which are already attached to the lifting mechanism with plastic brackets (8) using bolt (C) and flat head nut (H). Tighten bolts using the allen key provided.

Repeat on all four corners.

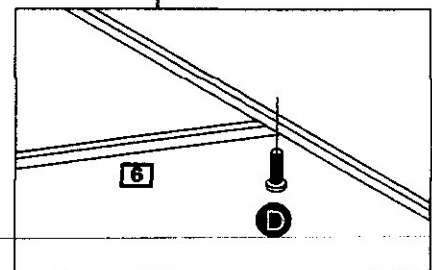
B: Fix centre frame rail (7) to front / back frame rails (5) using bolt (B) and tighten with allen key provided.



## Step7:

### Attach the horizontal supports

Fix the horizontal support rails (6) on the bottom of the lifting mechanism rail using bolts (D) with the allen key provided.

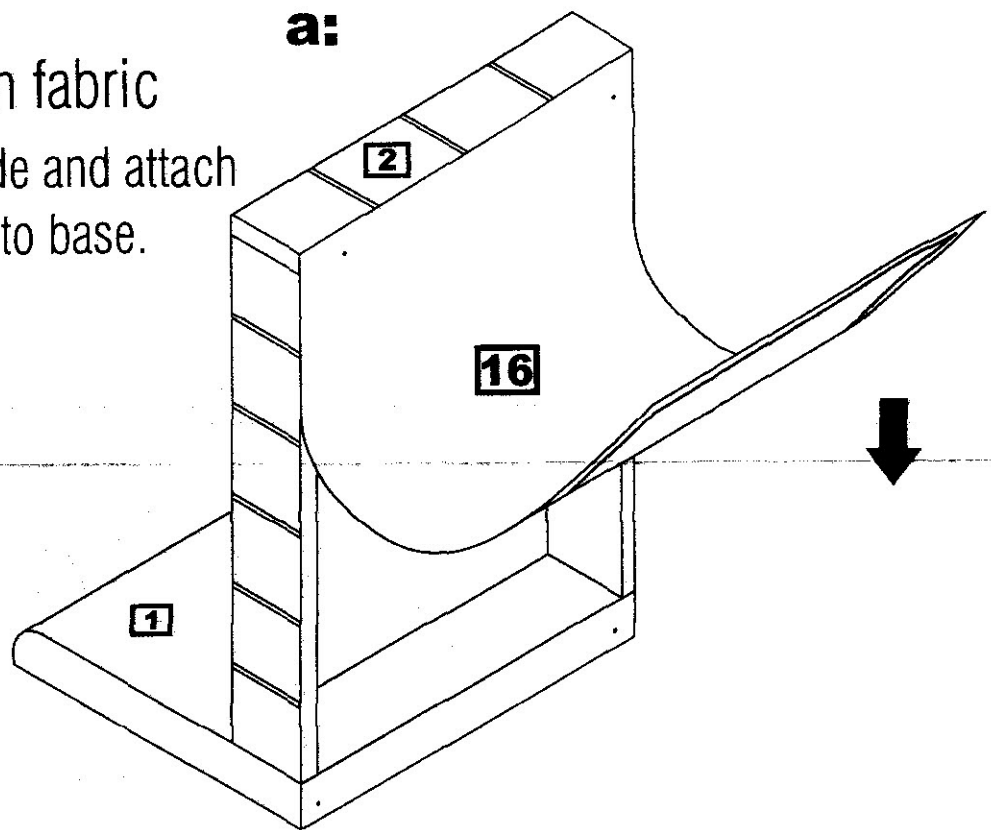


# Assembly Instructions

## Step 8:

### A: Attach woven fabric

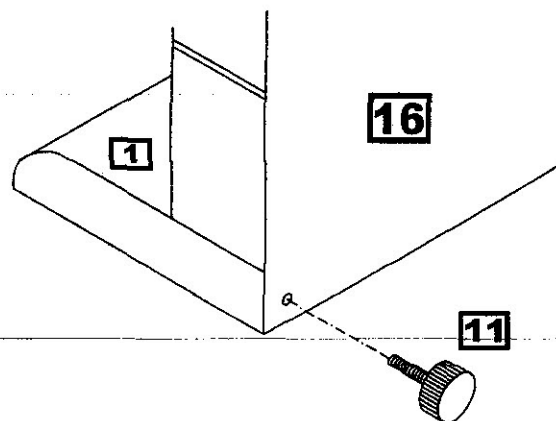
Turn bed on its side and attach woven fabric (16) to base.



### B: Attach plastic legs

Whilst bed is upside down attach adjustable legs (11) to the base and tighten them.

**b:**

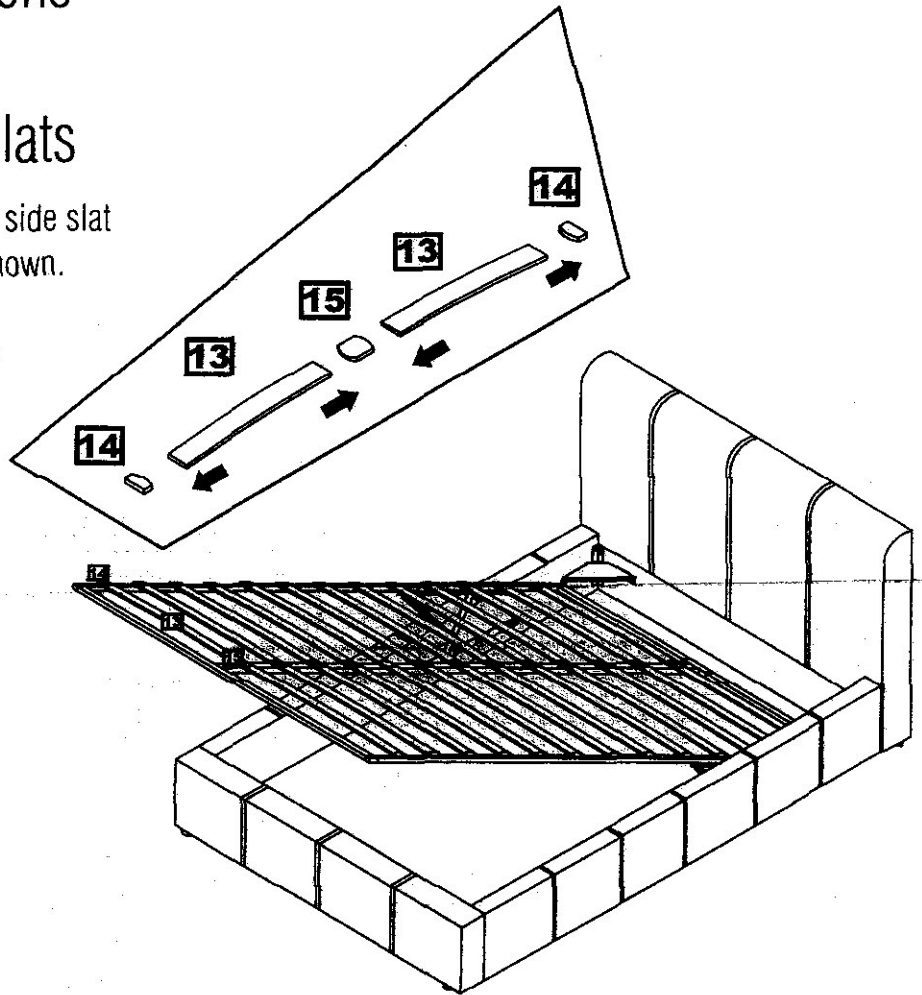


# Assembly Instructions

## Step9: Assemble slats

Attach centre slat caps (15) and side slat caps (14) to each slat (13) as shown.

Attach the slats to the slat frame by firmly pushing into place on the slat frame.



## Step10:

Attach belt (12) to the metal frame

