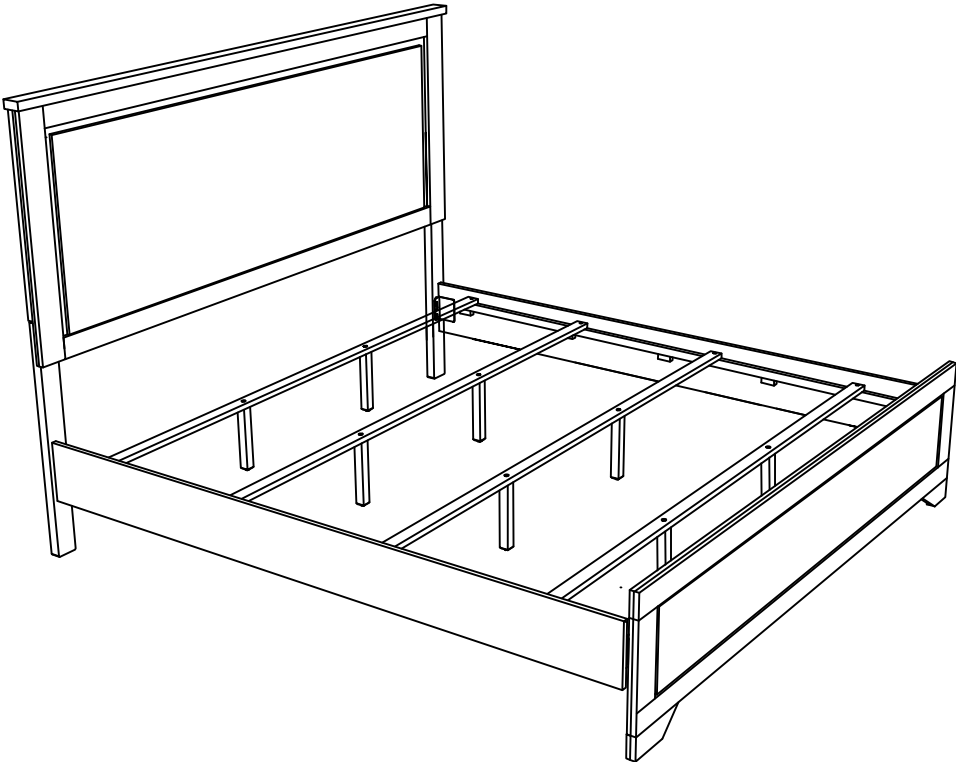


ASSEMBLY INSTRUCTIONS



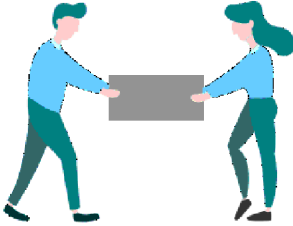
TOOLS REQUIRED



Screwdriver
(Not Included)



Allen Wrench
(Included)



2 - People

ASSEMBLY RATING



EASY ————— DIFFICULT

The Assembly Rating is a 5-point system showing the level of effort needed to assemble a specific product.



CHECK BEFORE STARTING

Are you missing anything?

Double-check all parts, hardware and accessories listed are all accounted for.

Check out our Quick Tips!

We recommend reviewing the pre-assembly handouts. Even experts need a refresher now and then!

Should we send any replacements?

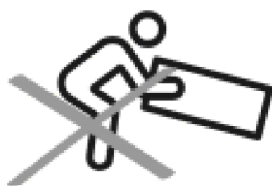
Are there any irregularities or flaws in the parts? We can send replacements!

Prep Time!

Please review the assembly instructions and all diagrams prior to assembling.

PRE ASSEMBLY INTRODUCTION

We understand building ready-to-assemble furniture can be a challenging experience for some. To help avoid confusion, we have provided some helpful tips that may speed up the process.



Teamwork

ALWAYS have at least two people to help with transporting and assembling the product to avoid potential injury and/or damage.



Suitable Location

Assembling near the area of the intended location is highly recommended.



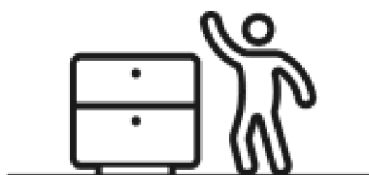
Sufficient Space

Make sure you have enough space to move around during the assembly.



Avoid Scratches

Use cardboard, blankets or a carpeted area while assembling furniture to prevent scratches.



Flat Surface

Make sure the furniture rests on a flat and level surface with each leg evenly touching the floor.

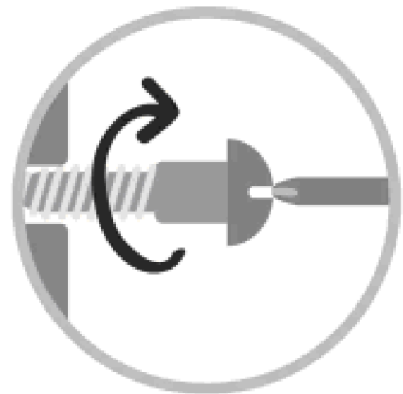
ASSEMBLY AND CARE ADVICE



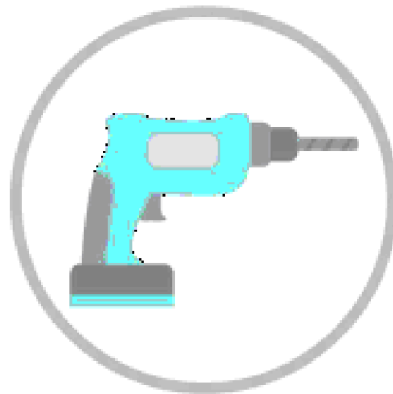
FAILURE TO FOLLOW THE GUIDELINES BELOW MAY RESULT IN INJURY AND/OR PROPERTY DAMAGE.



Position each part correctly and insert screws or bolts into their respective holes.



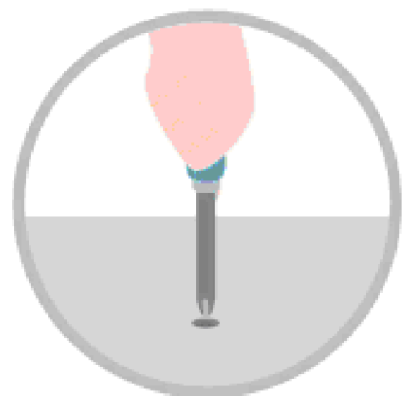
Turn clockwise to tighten and only tighten when step is completed or when instructed to do so.



Use the appropriate hand tools or power tools for assembly. Select steps, such as tightening screws and/or bolts, may require hand tools to avoid causing damage during assembly.



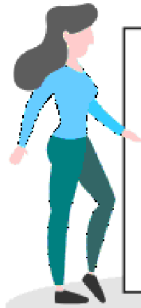
Save the instructions and store any supplied tools for later maintenance.



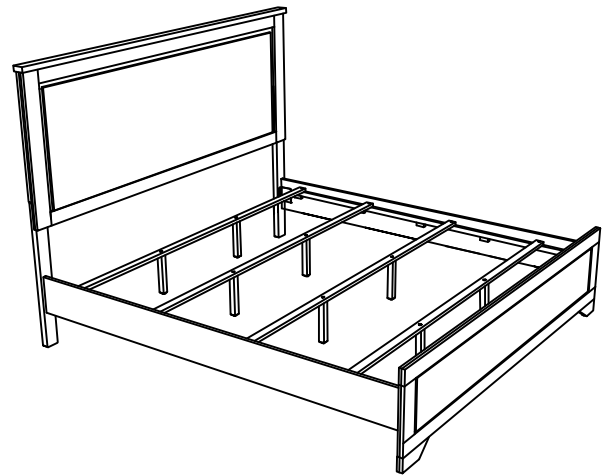
After two weeks, check and tighten any loose hardware and repeat again every six months thereafter.

IT IS THE USER'S RESPONSIBILITY TO MAINTAIN THE FURNITURE. THE HARDWARE MAY LOOSEN OVER TIME AND MAY CAUSE THE FURNITURE TO BE WOBBLY AND UNABLE TO SUPPORT ITS INTENDED WEIGHT CAPACITY. THIS MAY LEAD TO COLLAPSE AND MAY CAUSE SERIOUS INJURY.

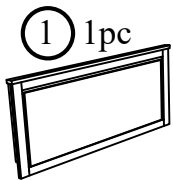
EASTERN KING SIZE BED



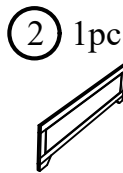
- Please keep instructions for future reference.
- Check the quantity and irregularity of parts and hardware before you start.



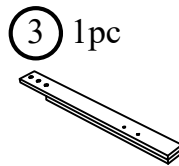
PARTS



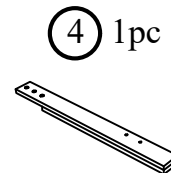
① 1pc
Headboard



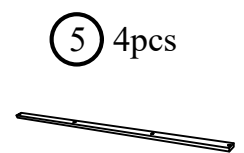
② 1pc
Footboard



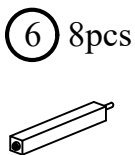
③ 1pc
Headboard Leg (L)



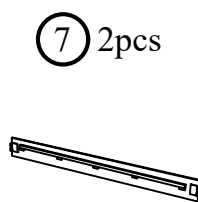
④ 1pc
Headboard Leg (R)



⑤ 4pcs
Bed Slat
-1951 x 45 x 18mm



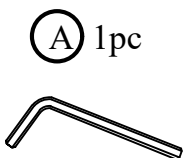
⑥ 8pcs
Bed Slat Support
-225 x 30 x 30mm



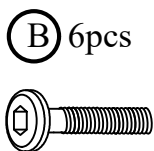
⑦ 2pcs
Side Rail

HARDWARE

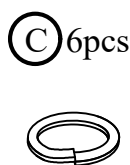
HARDWARE INSIDE HEADBOARD



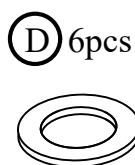
Ⓐ 1pc
Allen Key M4



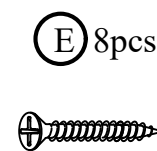
Ⓑ 6pcs
Bolt 1/4" x 1 6/16"



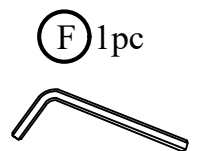
Ⓒ 6pcs
Lock washer



Ⓓ 6pcs
Flat washer

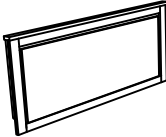
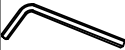

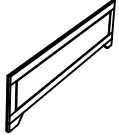


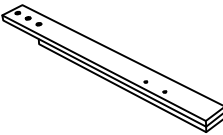

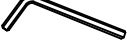
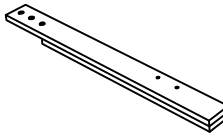




Ⓔ 8pcs
CSK m4 x 32mm



Ⓕ 1pc
Allen Key M5

is packed in 2 cartons

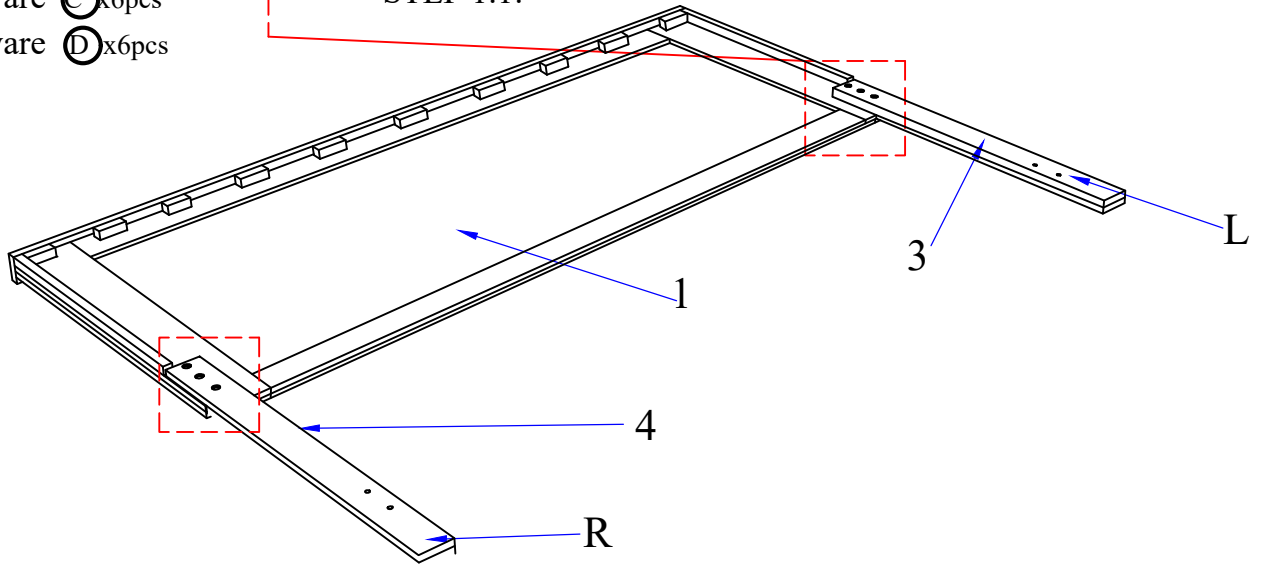
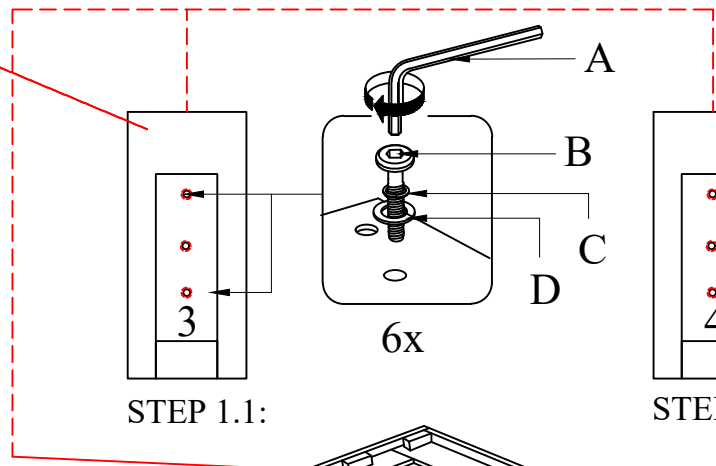
Carton	Designation			Hardware
	King Size Bed HB, FB & HB Legs	1	 X 1	 A x 1pc  B x 6pcs
		2	 X 1	 C x 6pcs  D x 6pcs
		3	 X 1	 E x 8pcs  F x 1pc
		4	 X 1	
		5	 X 4	
		6	 X 8	
			E-King Size Bed Rails	7

ASSEMBLY INSTRUCTIONS

Align Headboard Leg(3 & 4) to Headboard(1), then secure by using JCBC (B), Lock Washer (C) and Flat Washer (D) tighten with Allen Key(A).

1

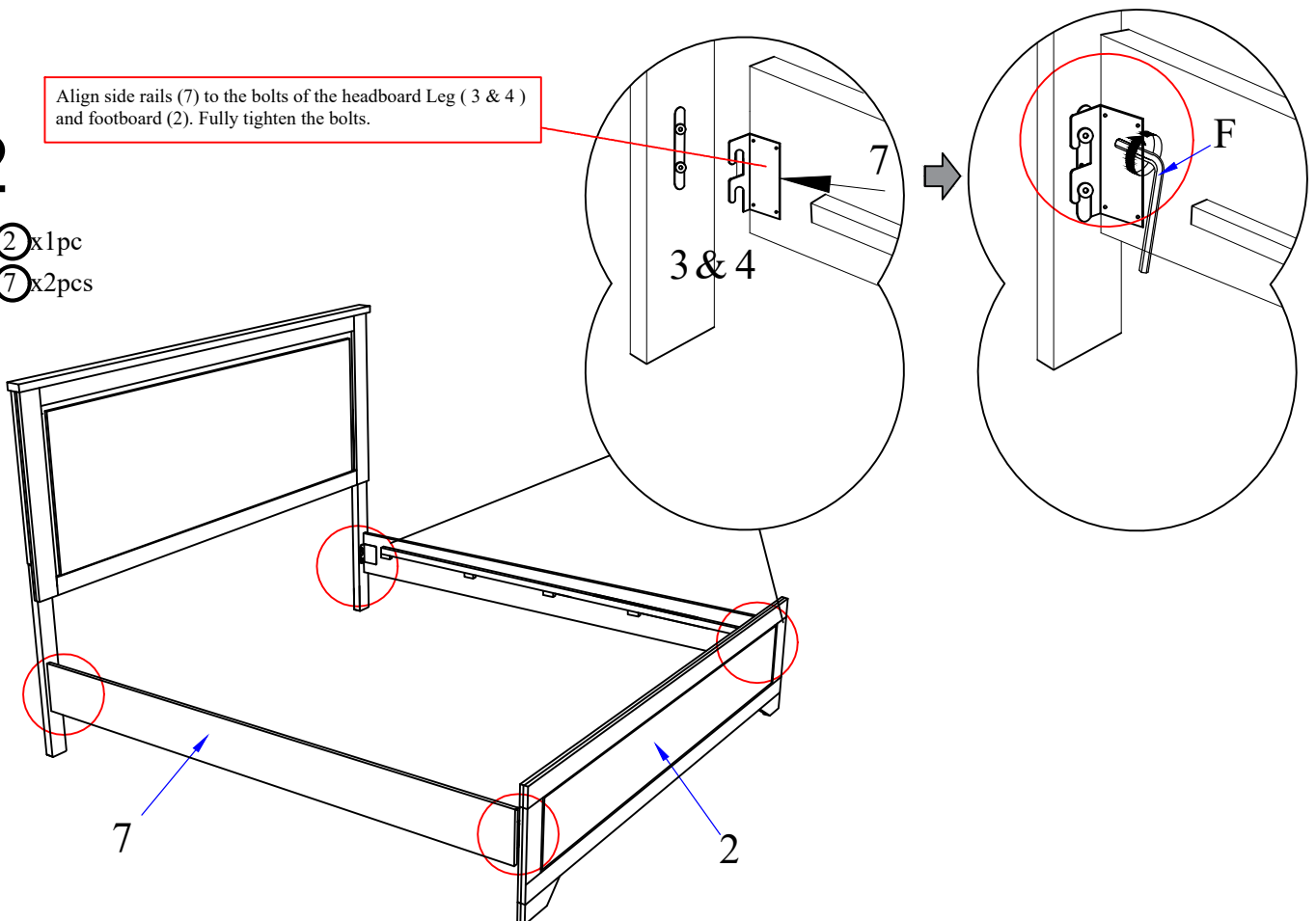
- Part ① x1pc
- Part ③ x1pc
- Part ④ x1pc
- Hardware ⑥ x6pcs
- Hardware ⑦ x6pcs
- Hardware ⑧ x6pcs



2

- Part ② x1pc
- Part ⑦ x2pcs

Align side rails (7) to the bolts of the headboard Leg (3 & 4) and footboard (2). Fully tighten the bolts.



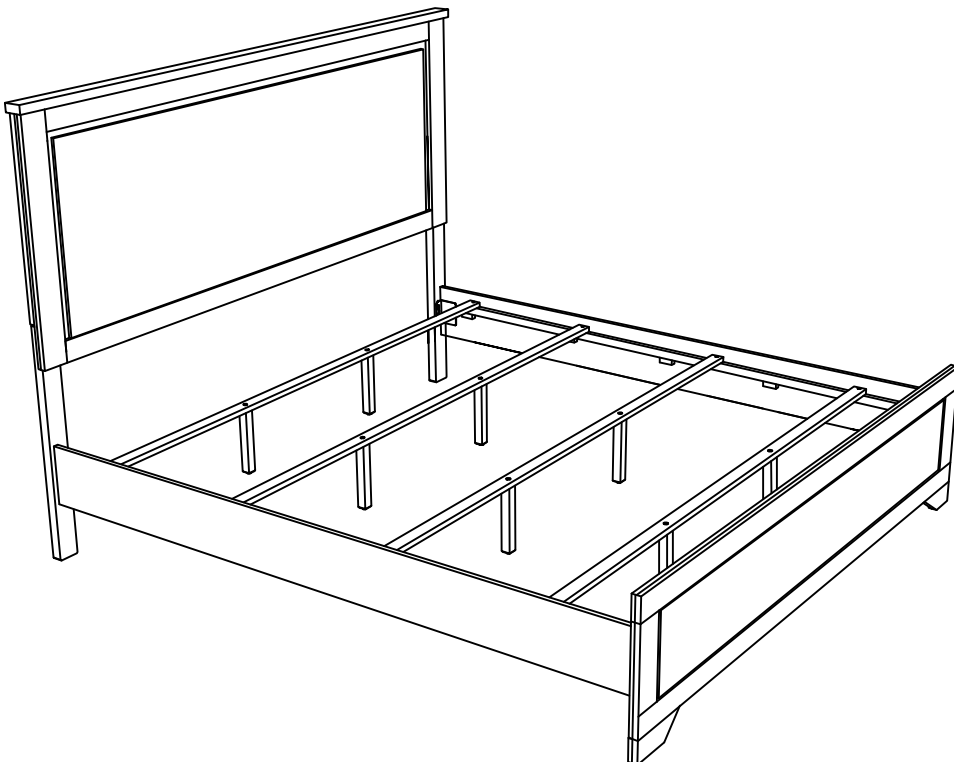
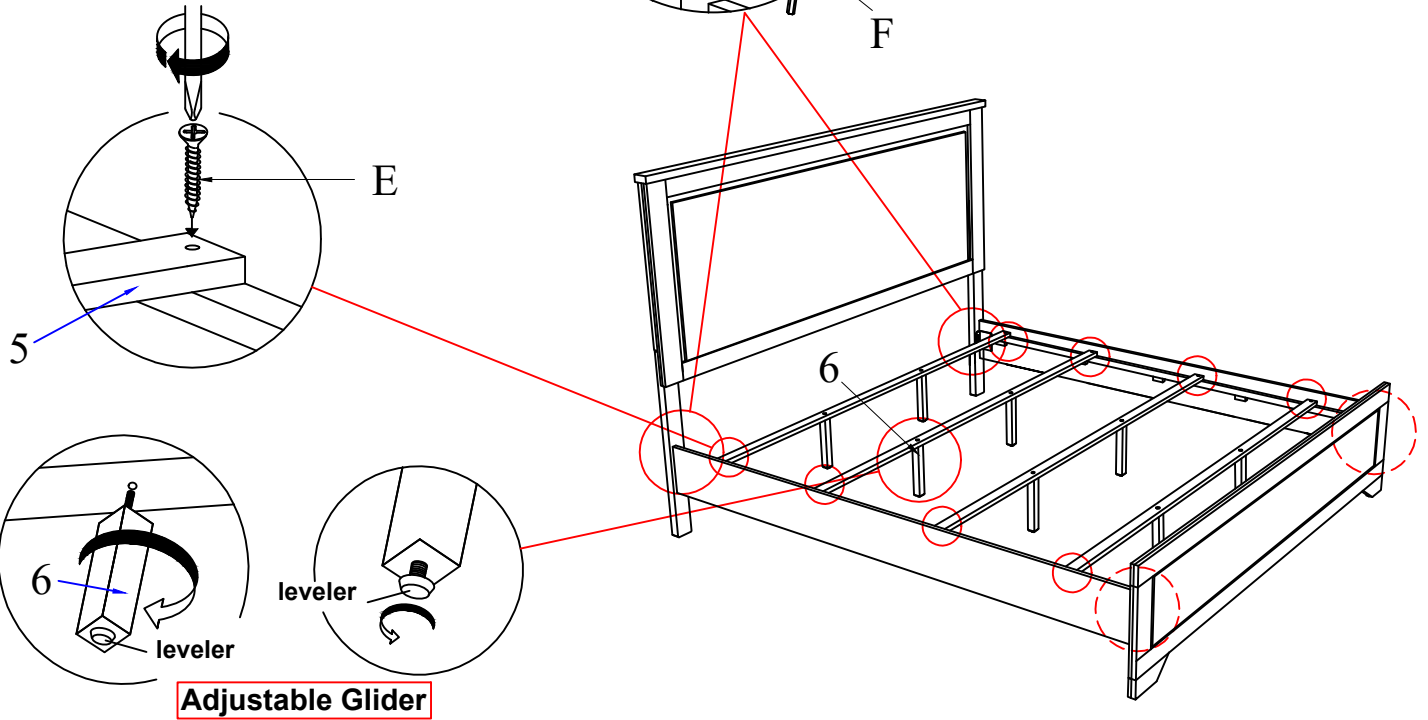
ASSEMBLY INSTRUCTIONS

3

Part ⑤ x4pcs

Part ⑥ x8pcs

Hardware ④ x8pcs



ASSEMBLY COMPLETED



Please ensure the furniture rests on an even and flat surface. If the product wobbles or feels loose, double-check all bolts and/or screws are properly tightened and secured.



Keep this handy!

Please retain this instruction manual and any order-related information for future reference.



Lift, don't drag!

To avoid damage to product please always LIFT the product when transporting or adjusting the placement.

This product is intended for RESIDENTIAL USE ONLY and not for commercial use.