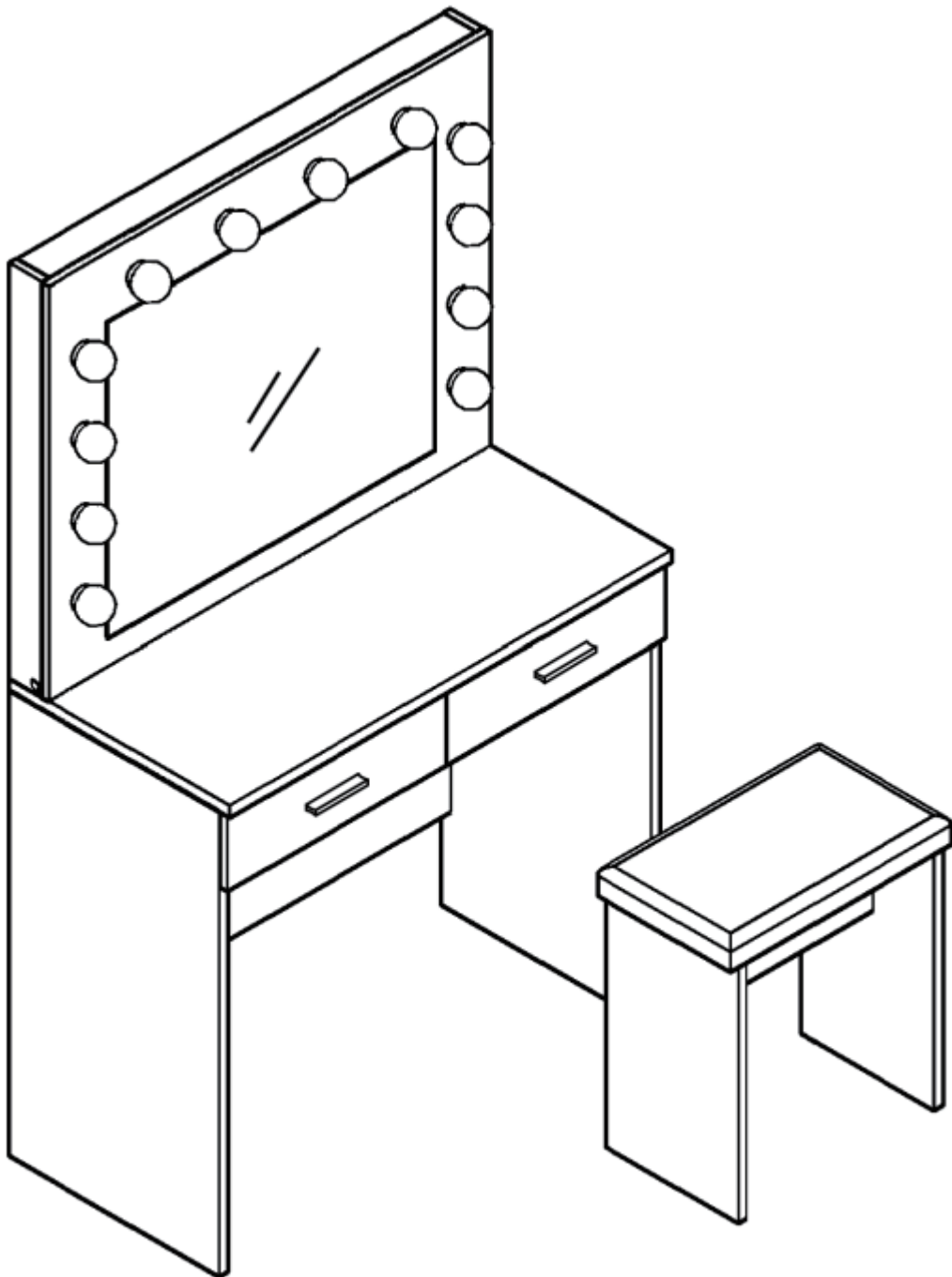


USER MANUAL

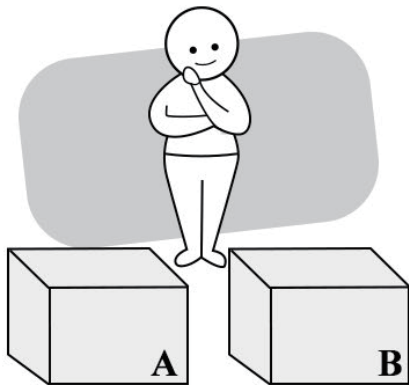


Retain these instructions for future reference.

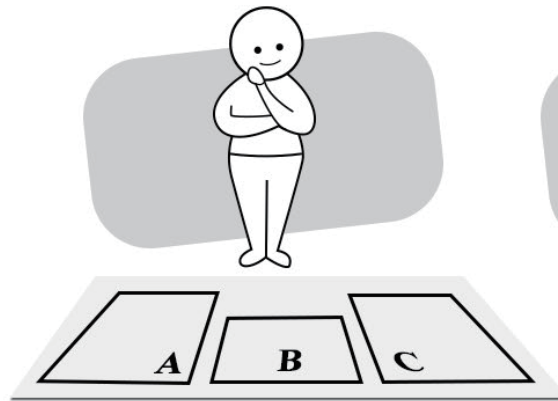


Do not discard any of the packaging until you have checked that you have all the parts and the pack of fixings.

Preparation before installation



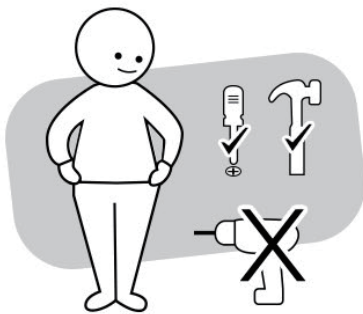
Check the number of parcels before you begin assembly



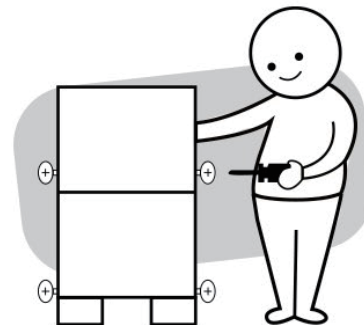
Identify and lay out all of the components before you begin assembly
(It is best to spread it on the ground)



Read through the instructions carefully before you begin



Make sure you have all the required tools.
Never use power tools unless instructed.



Unless instructed, do not fully tighten screws until the item is fully assembled.

Important before assembly:

- ! Read these instructions carefully before assembling or using the product.
- ! Please check the contents of the boxes before attempting to assemble this product. The instructions will have a checklist of parts and fittings.
- ! It would be sensible to lay a rug or a carpet on the floor where you intend to assemble the product, to avoid scratches and damaging the product or the floor.
- ! Assemble the product as close to its intended final location/room as possible.
- ! Do **NOT** use any power tools as this may damage the frame.



Safety and Care Advice

Important – Please read these instructions fully before starting assembly

- Check you have all the components and tools listed on the following pages.
- Remove all fittings from the plastic bags and separate them into their groups.
- Keep children and animals away from the work area, small parts could choke if swallowed.
- Make sure you have enough space to lay out the parts before starting.

- During assembly, do not stand or put weight on the product, this could cause damage.
- Assemble the item as close to its final position (in the same room) as possible.
- Assemble on a soft level surface to avoid damaging the unit or your floor.
- Parts of the assembly will be easier with 2 people.



- We do not recommend the use of power drivers for inserting screws, as this could damage the unit. Only use hand screw drivers.

Glue safety - Take care when using glue, please follow the advice below

Skin contact: Remove contamination by washing with soap and water. This procedure should also be followed prior to eating and drinking.

Eye contact: Rinse immediately with clean water for 15 minutes and seek medical advice.

If swallowed: Seek medical advice immediately.

Care and maintenance

• Only clean using a damp cloth and mild detergent, do not use bleach or abrasive cleaners.

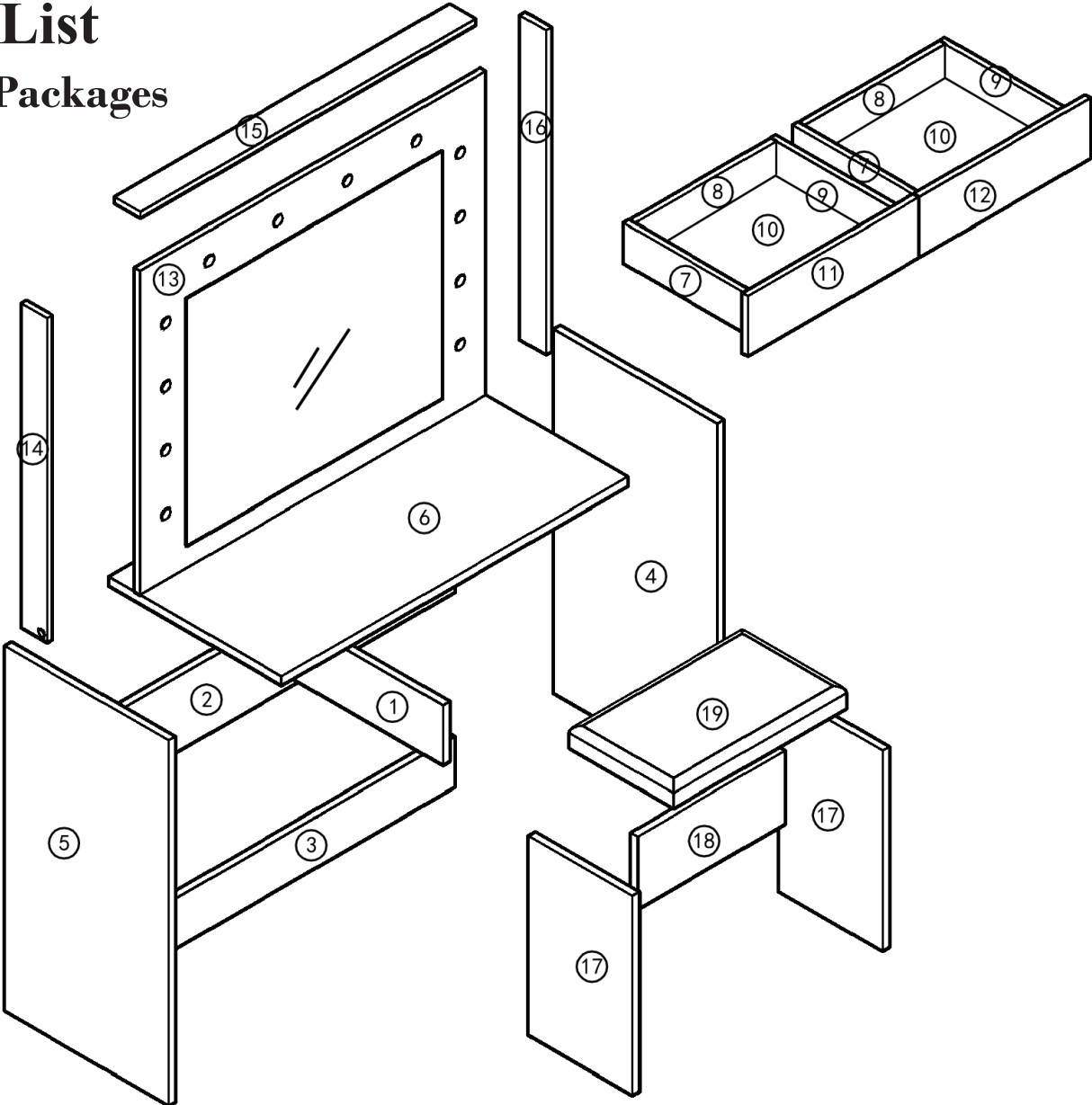
• From time to time check that there are no loose screws on this unit.

• This product should not be discarded with household waste. Take to your local authority waste disposal centre.

Note: if required the next page can be cut out and used as reference throughout the assembly. Keep this page with these instructions for future reference.

Parts List




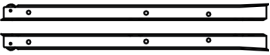


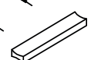


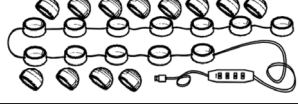

Total 1 Packages









Part	Box	Qty
①	1	1
②	1	1
③	1	1
④	1	1
⑤	1	1
⑥	1	1
⑦	1	2
⑧	1	2
⑨	1	2
⑩	1	2

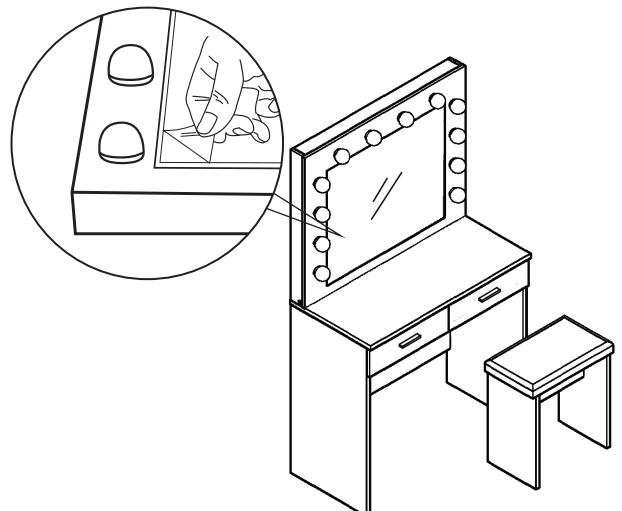
Part	Box	Qty
⑪	1	1
⑫	1	1
⑬	1	1
⑭	1	1
⑮	1	1
⑯	1	1
⑰	1	2
⑱	1	1


Hardware List

Part	Description	Qty
A	Big Cam Bolt & Big Cam Lock 15*34mm 	10
B	Long Screw 40*5mm 	28
C1	Slide Runner-1 300mm 	2
C2	Slide Runner-2 300mm 	2
D	Small Cam Bolt & Small Cam Lock 12*24mm 	18
E	Tapping Screw 12*3.5mm 	16
F	Handle 96mm 	2
G	Leg Pin 10*12mm 	8
H	Sticker ø13 	16
I	12 LED Bulbs 	1
J	Assembly Tools 	1

-  There are inner box(es) that include components required to complete this assembly.
-  Please do not completely tighten all the hardware, until the entire assembly is complete.
-  Before discarding the packaging, please use the checklist to ensure that you have all the parts required to assemble your product. Please kindly note you will need the original package if you want to return the product later.

 **x1**  **x2**  **45 mins**



 **WARNING NOTE**

There is a protective film on the mirror, please remove it **AFTER INSTALLATION.**

STEP 1

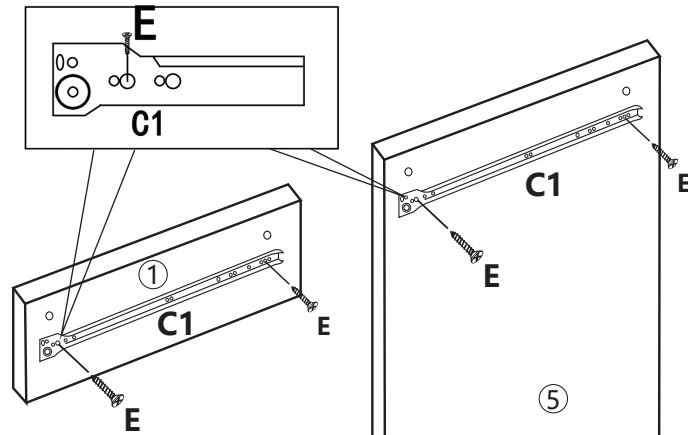
Attach Slide Runner

Screw 2pcs Tapping Screws E into panel ①, and 2pcs Tapping Screws E into panel ⑤ with 2pcs Slide Runner C1.



NOTE

Please ensure that screw holes are drilled correctly and keep the screws on the slide runners are flat.



C1*2

E*4

Panel Required	Qty
①	1
⑤	1

STEP 2

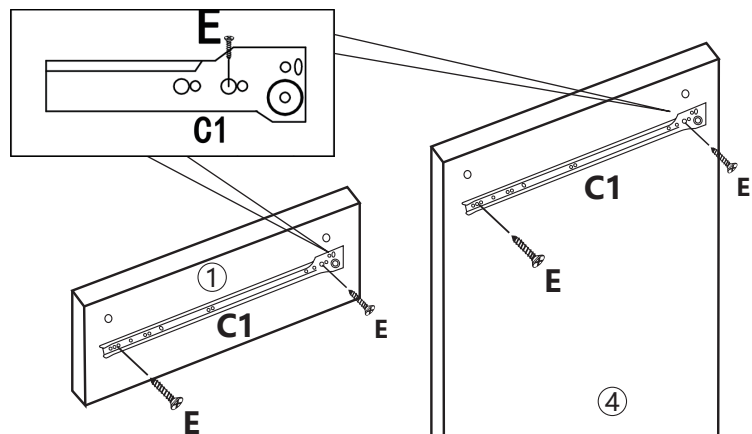
Attach Another Slide Runner

Screw 2pcs Tapping Screws E into the other side of panel ①, and 2pcs Tapping Screws E into panel ④ with 2pcs Slide Runner C1.



NOTE

Please ensure that screw holes are drilled correctly and keep the screws on the slide runners are flat.



C1*2

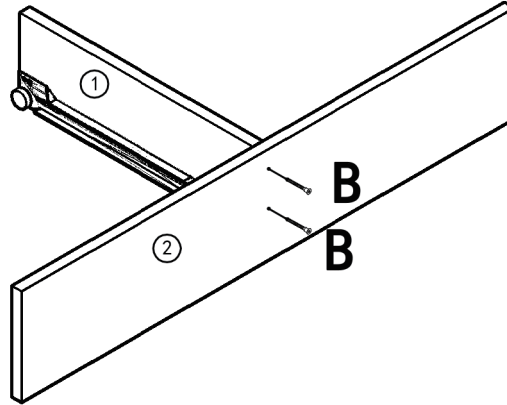
E*4

Panel Required	Qty
①	1
④	1

STEP 3

Assemble Back Panel

Insert 2pcs Long screws B into Panel ② and Panel ①.



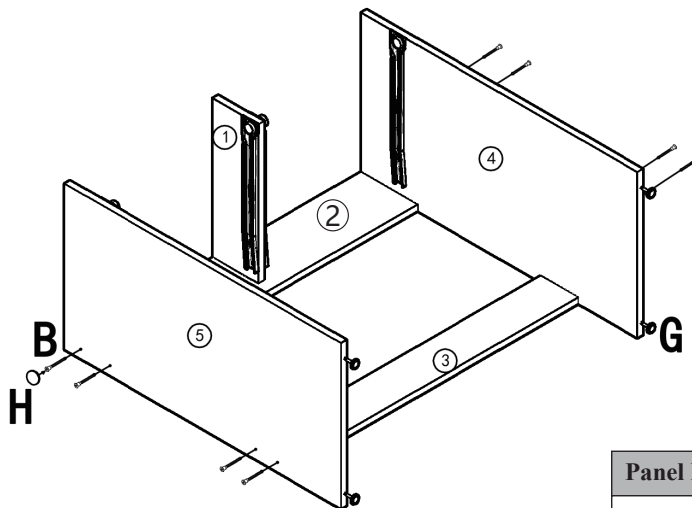
B*2

Panel Required	Qty
①	1
②	1

STEP 4

Fit Side Panel and Lower Back Panel

- Insert 4pcs Long screws B into Panel ②, Panel ③ and Panel ⑤.
- Insert 4pcs Long screws B into other pther side of Panel ②, Panel ③ and Panel ④.
- Insert 4pcs Leg pin G into the ends of Panel ⑤ and Panel ④.
- Place 8pcs Sticker H to cover Long screws B.



B*8

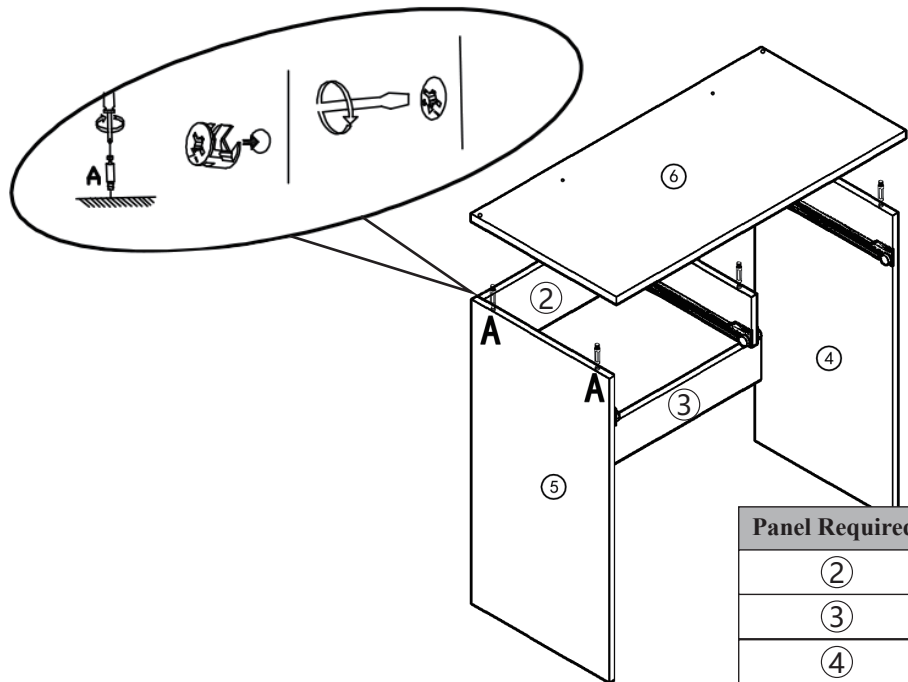
G*4

H*8

Panel Required	Qty
①	1
②	1
③	1
④	1
⑤	1

STEP 5

Screw 6pcs big cambolt A into screw holes of Panel ①, Panel ④ and Panel ⑤, and then tighten the 6pcs big camlock A.



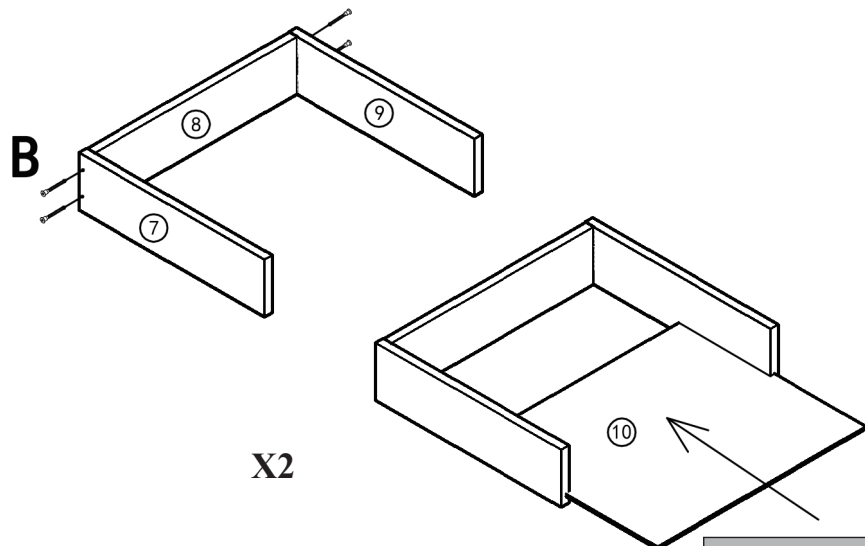
A*6

Panel Required	Qty
②	1
③	1
④	1
⑤	1
⑥	1

STEP 6

Assemble 2 Drawers

- Tighten 4pcs long screws B by allen key J to connect Panel ⑦, Panel ⑧ and Panel ⑨.
- Place 1pc panel ⑩, follow the grooves of Panel ⑦, Panel ⑧ and Panel ⑨.



B*4

Panel Required	Qty
⑦	2
⑧	2
⑨	2
⑩	2

STEP 7

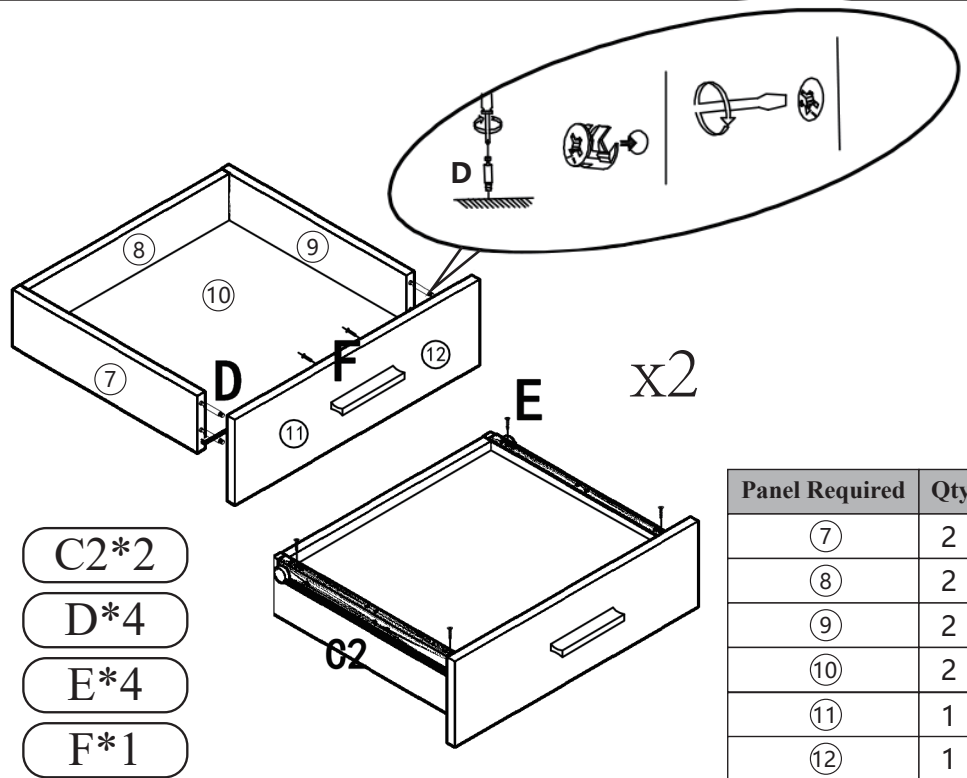
Assemble Drawer Front

- Insert 4pcs small cambolt D into Panel ⑦ and Panel ⑨, then tighten the 4pcs small camlock D.
- Screw 4pcs Tapping Screws E into Panel ⑦ and Panel ⑨ with 2pcs Slide Runner C2.



NOTE

Please notice Panel ⑪ and Panel ⑫ are not same panel, the screw holes of 2 front panels are different.



STEP 8

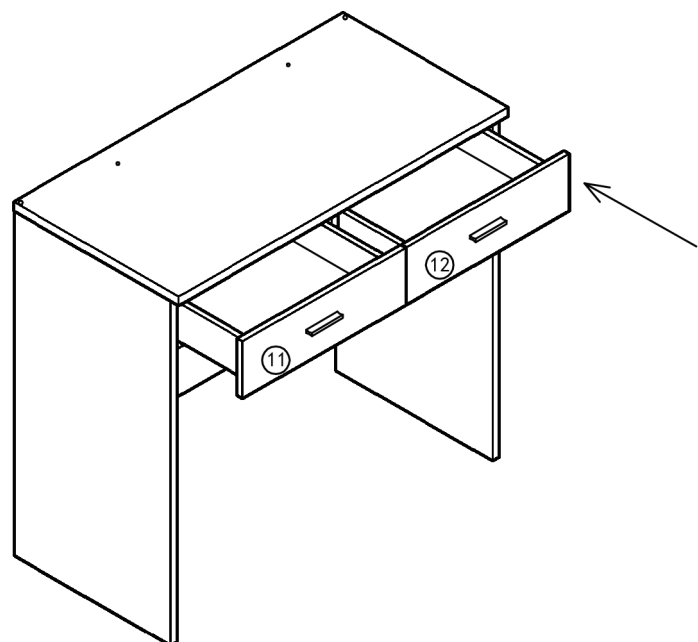
Fit 2 Drawers

Slide the wheels of the runners fitted to the drawer, over the wheels of the runners fitted to the left side and upright and push the drawer into position.



NOTE

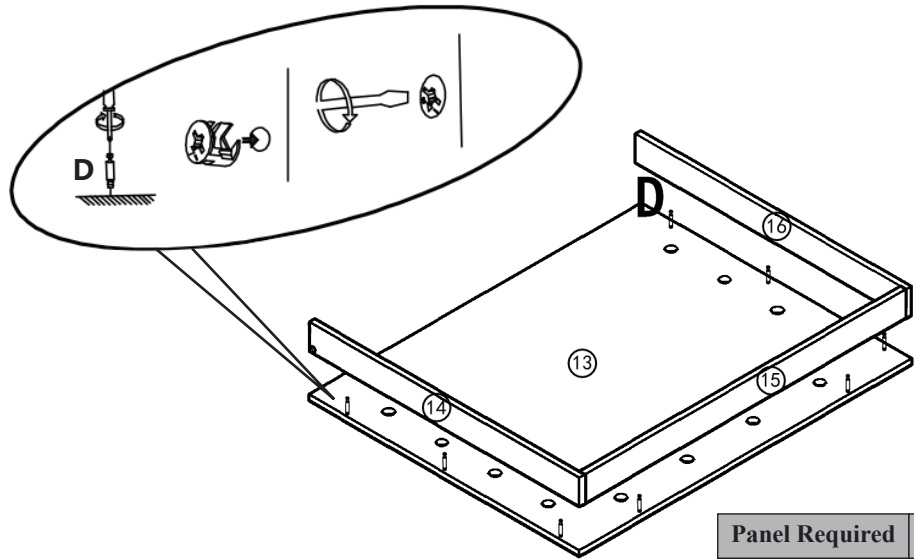
Panel ⑪ is for Left Drawer,
Panel ⑫ is for Right
Drawer.



STEP 9

Assemble Mirror Frame

Screw 8pcs small cambolt D into back of Panel ⑬
 Fit Panel ⑭, Panel ⑮ and Panel ⑯ to cambolt D, and then tighten the 8pcs small camlock D.



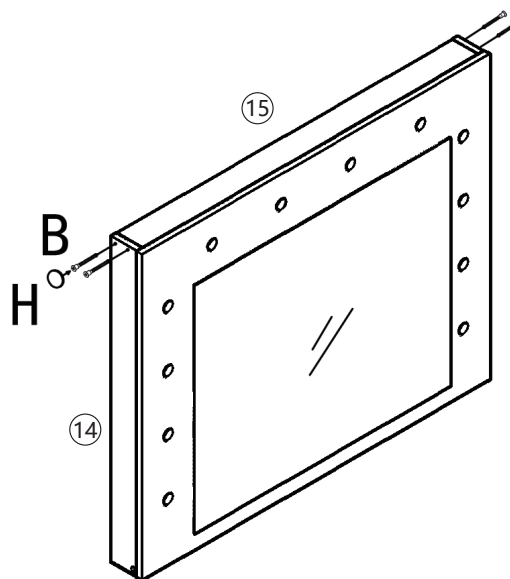
D*8

Panel Required	Qty
⑬	1
⑭	1
⑮	1
⑯	1

STEP 10

Fixed Mirror Frame

- Tighten 4pcs Long screws B into Panel ⑭ and Panel ⑯ to connect Panel ⑮.
- Place 4pcs Sticker H to cover Long screws B.



B*4

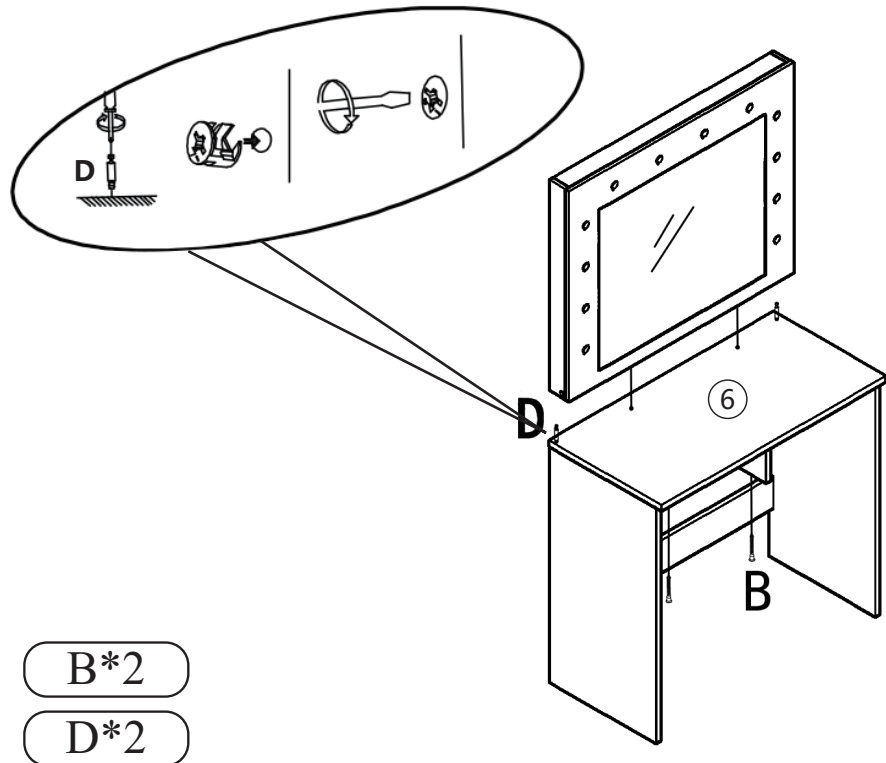
H*4

Panel Required	Qty
⑭	1
⑮	1

STEP 11

Fit Mirror Part

- Insert 2pcs small cambolt D into Panel ⑥ and then tighten 2pcs small camlock D.
- Tighten 2pcs Long screws B through panel ⑥ to fix the mirror.



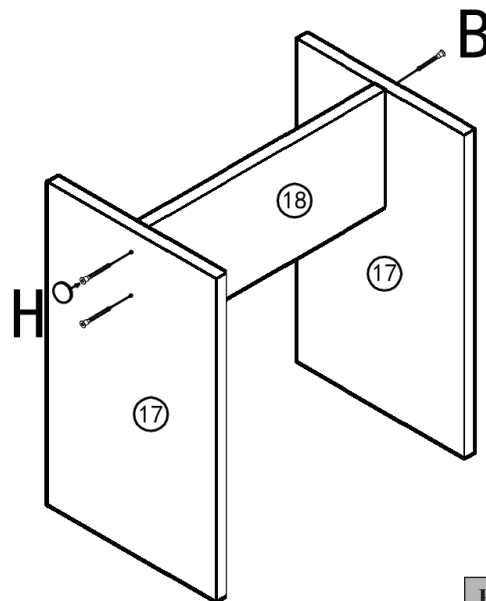
B*2

D*2

STEP 12

Assemble Dressing Stool

- Tighten 4pcs Long screws H through 2pcs panel ⑰ to connect Panel ⑱.
- Place 4pcs Sticker H to cover Long screws B.



B*4

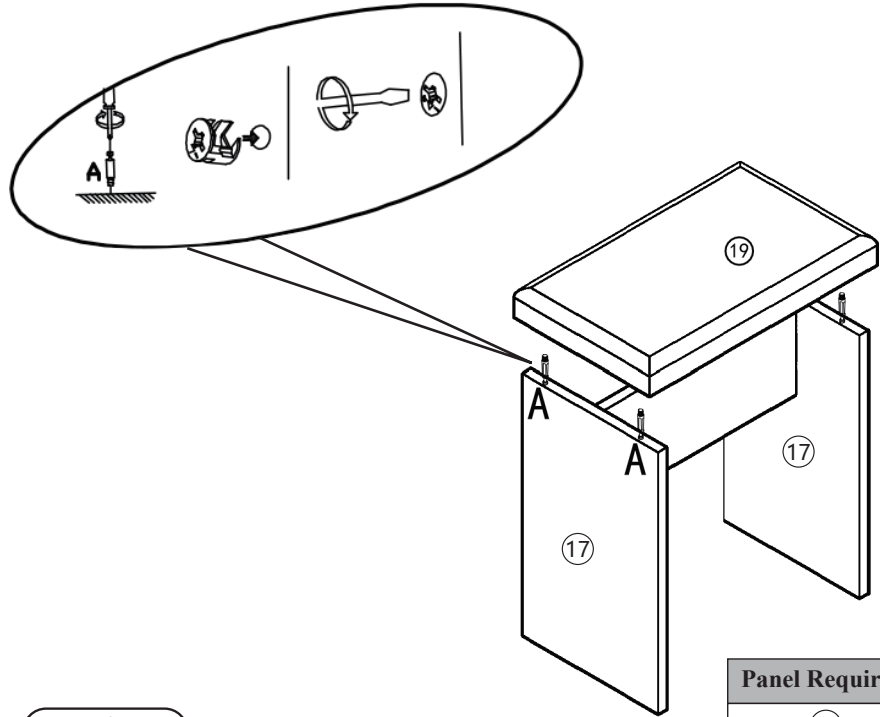
H*4

Panel Required	Qty
⑰	2
⑱	1

STEP 13

Assemble Seat

Insert 4pcs big cambolt A into 2pcs Panel ⑰ and then tighten the 4pcs big camlock A.

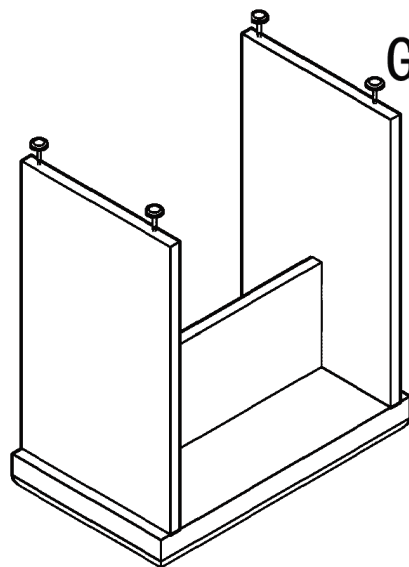


A*4

STEP 14

Fit Dressing Stool

Insert 4pcs Leg pin G into the ends of 2pcs Panel ⑰.



G*4

STEP 15

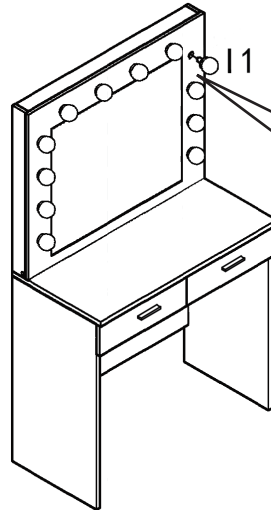
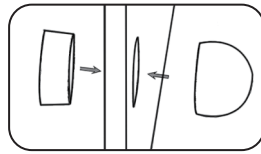
Fit LED Bulbs

Please fix the lamp holder on the mirror frame first, then cover 12 pcs lampshade.



NOTE

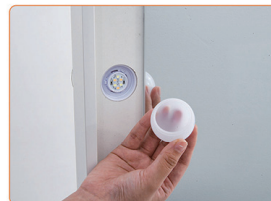
The LED bulbs consists of 2 parts, a connected base and 12pcs of lampshades.



STEP 1



STEP 2



STEP 3

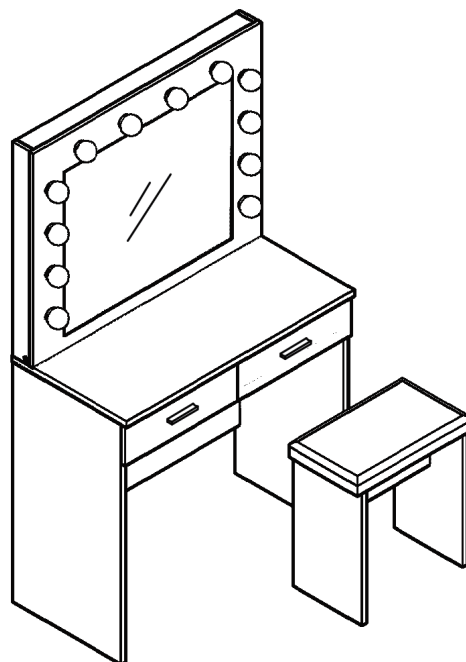


STEP 4

I*1

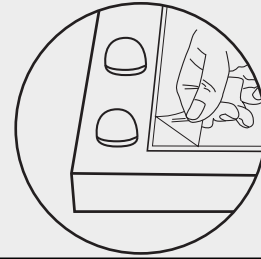
STEP 16

Get Whole Dressing Table and Stool with Hollywood LED Lights.



PROTECTIVE FILM

Please remove the protective film before using.

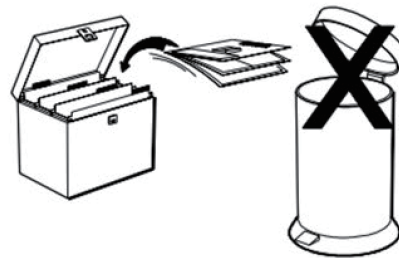
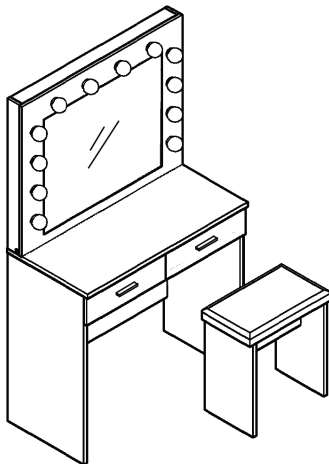


Assembly Completed

Your Dressing Table is now completely assembled

Periodically check to ensure that the components are in their proper position, free from damage

Also, make sure the connectors are tight and secure.



Keep instructions for future reference

WARNINGS

- ! This product should only be used on a firm and level floor.
- ! Keep small parts out of reach of children.
- ! Make sure the legs remain in contact with the floor.
- ! **DO NOT** use power tools to construct this product.
- ! **DO NOT** tighten screws until all parts are assembled or as advised in this guide.
- ! **DO NOT** over-tighten screws or bolts.
- ! **DO NOT** use this product if parts are missing, damaged or worn.
- ! **DO NOT** sit or stand on the product.



Frequently Asked Questions

1. I received a damaged package.

When you receive a damaged box, please open this package and check if there are any damaged or missing components inside the box. If so, please provide pictures and contact us through the platform. We will promptly resolve your issue.

2. I received the wrong color or product, which is not what I ordered.

Please provide the following pictures as requested and send them to us through the platform. We will provide a solution as soon as we receive your pictures:

- the item No. on the package.
- the shipping label on the package.
- the actual item you received.

3. My order is incomplete.

Normally, we will send you 1, 2 or 3... packages according to your order. If product you received is incomplete, please contact us to update other package information to you. Missing parts should be reported within 48 hours after delivery. Please email us a description. Once the email and photos have been received, we will contact you to send out spare parts.

4. My item is faulty.

If your item faulty, please provide us with some pictures or videos (if the box is also damaged) through the platform, and we will provide a solution after receiving your pictures. We do our best to make sure all orders arrive in perfect condition. In the rare event that it does not, our customer services team is here to help.



Return & Refund

While we hope you'll be happy with Furniture items, if sometimes you need to return them. This policy has all the information you'll need to know.

1. How to cancel my order?

If you wish to cancel your order for any reason, please contact us immediately. Only orders that have not yet been dispatched can be canceled. If the order has already been dispatched we will not be able to cancel at the platform and the below policy will apply.

2. How do I make a return?

If you wish to return an item that is no problem. We're happy to offer a refund or an exchange, as long as it's within the return period. You must return the item(s) to us within 30 days of receiving your order. To make the return process as quick and smooth as possible, please follow the below steps:

- a. Contact us by email within 30 days of your delivery to let us know you would like to return or exchange as well as why you would like to do so. We will solve the problem for you then.
- b. Make sure the item your order is in the original boxes. If you have not kept the original boxes, it is your responsibility to make sure the products are re-boxed, we do not provide additional boxes. Items must not have been used or assembled in any way. Please include the return slip in the box or write your order number on the outside.

3. Receiving your refund

When we reach a consensus, we will refund the money to the same way you paid for the product.

Please allow up to 5-14 working days for the refund to show in your account, which is the time for the bank to operate the refund.



General Care & Maintenance

Your furniture, if treated with respect and love, will last you a long time.
Each piece requires light maintenance to maximize its longevity.

Few quick tips before using this product:

1. Recommended weight limit for the table top is 15kg(33lbs) for each storage compartment.
2. Avoid uneven weight distribution for long time as it may cause damage to the product shape.
3. Table top may not slide smoothly when table is overloaded by weight.
4. Check and tighten the camlock and screw periodically as it may loose over the time.

How to take care of it?

1. Avoid direct sunlight or use curtains or blinds to limit the sun exposure to the product.
2. Clean the product regularly with a dry, soft cloth.
3. Avoid using abrasive or liquid cleanser.
4. Avoid placing hot objects onto the table top surface
5. Spillage may damage the surface. Clean immediately with a dry cloth
6. We recommend using placemats or coasters underneath glasses, cups, bowls or plates to prevent scratches to the table surface.

NOTES:

When moving your product, carefully lift into place. Never drag or push the product across the floor as this will cause damage to the joints. If the product is used on hard flooring, such as wood or laminated floor, you must place some protection under the legs to stop the product from moving. If this is not adhered to, it could result in failure to the product that will invalidate the warranty.