

---

M4x10  
Ax4



M6x8  
Bx1



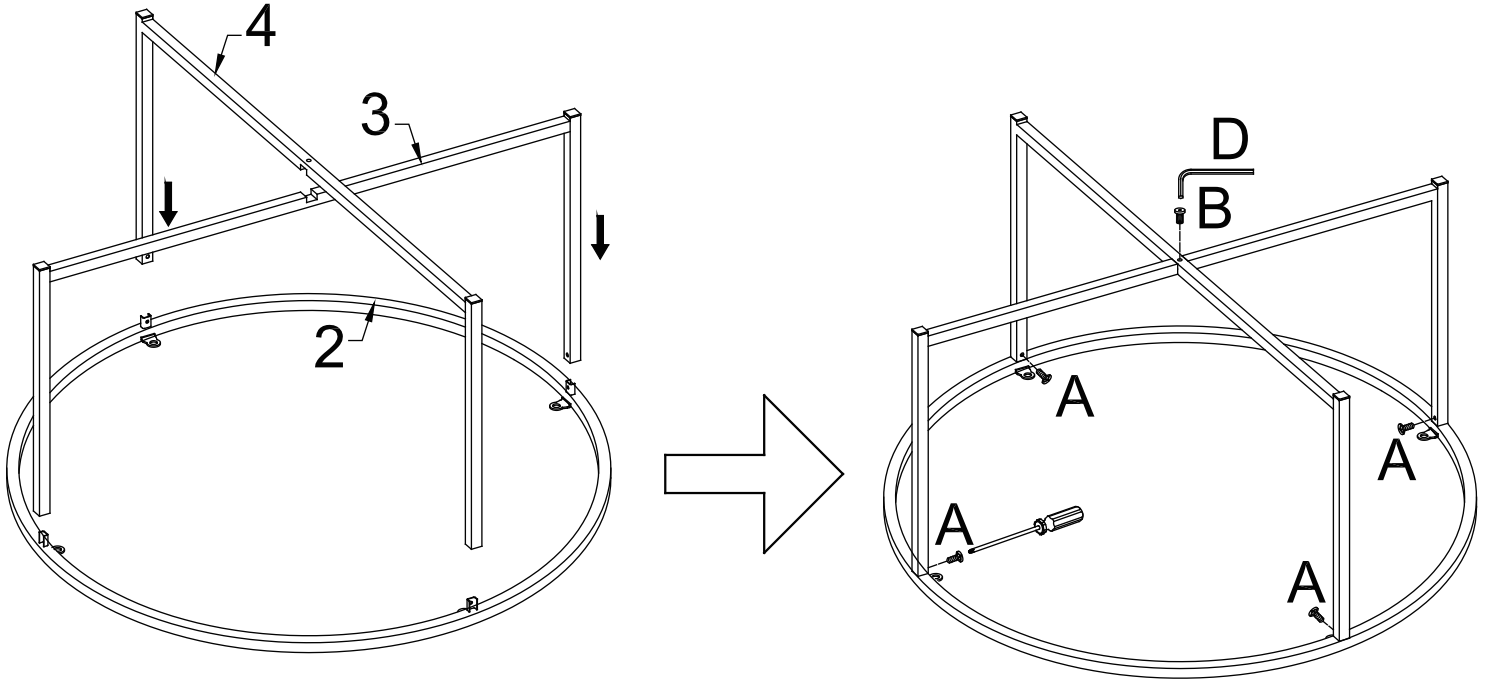
Ø30  
Cx4



4MM  
Dx1



1



2

