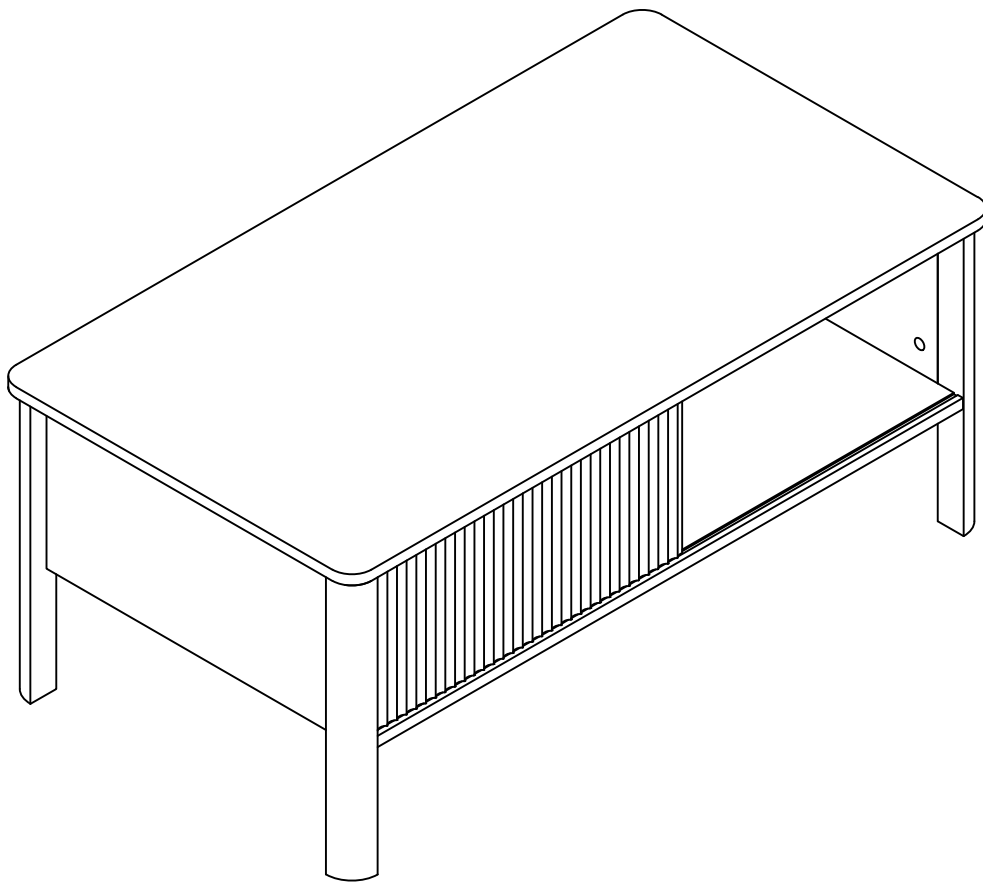


Installation Instruction



Assembling

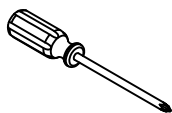
Estimated time for assembly



45 : 00

What you need

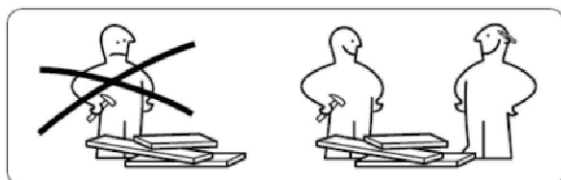
- Use the packaging carton as a working surface to prevent product damage during assembly
- Phillips head screwdriver



Weight Limitation



100 | **35**
lbs table top lbs per

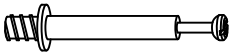


What' included

Code	Description	Qty
A	Cam Bolt M6X35MM	24
B	Cam Lock 15X10MM	24
C	Wooden Dowel M6X30MM	26
D	Screw M4X40MM	4
E	Wooden Dowel M6X40MM	2
F	The bolt	4
G	Guide wheel	4
H	Screw M3.0X12MM	8

The Hardwares

Ⓐ



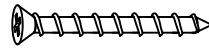
Ⓑ



Ⓒ



Ⓓ



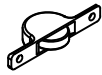
Ⓔ



Ⓕ



Ⓖ



Ⓗ



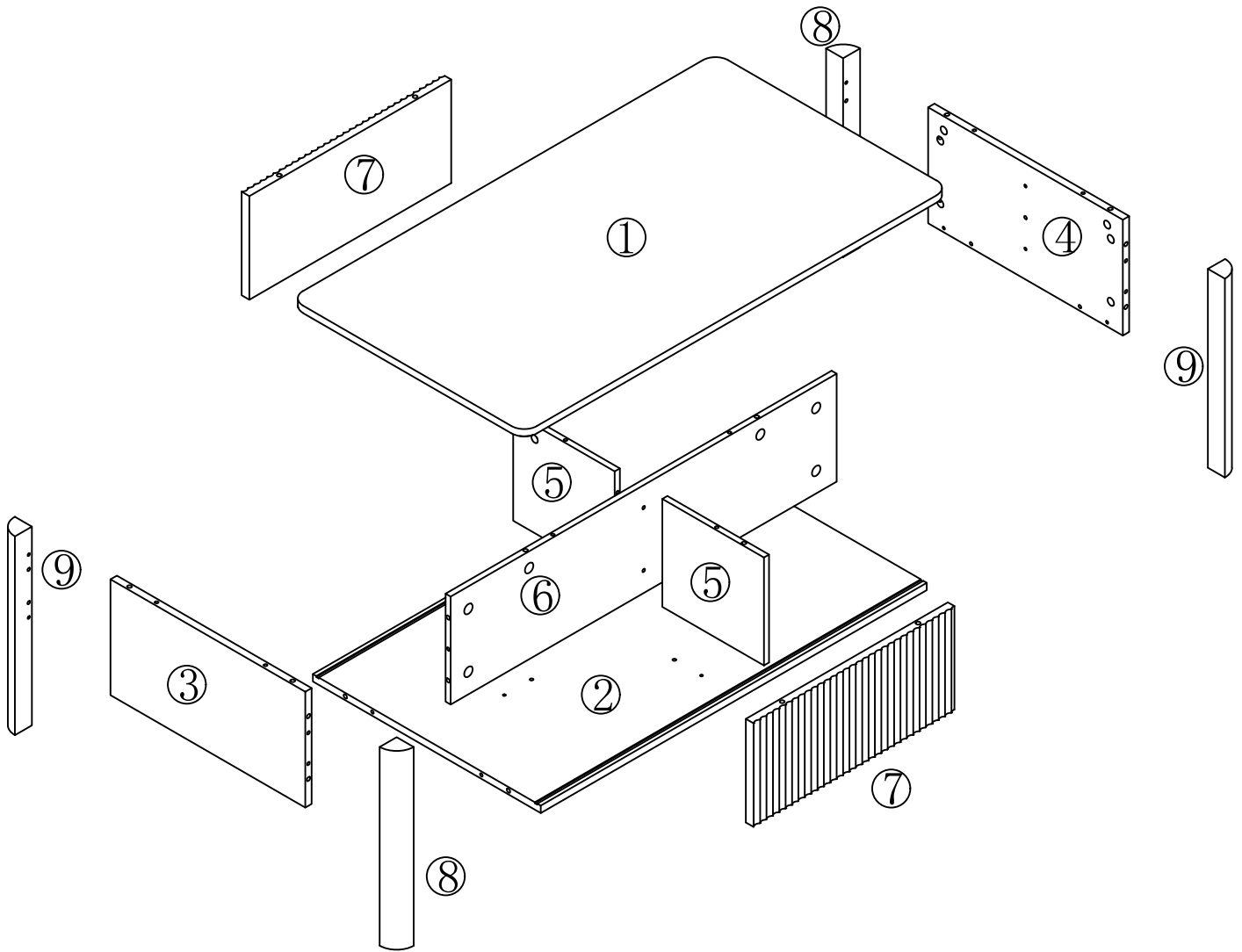
IMPORTANT:

1. Do not tighten bolts / screws completely until all bolts / screws are lined up and inserted into holes.
2. Do not over tighten screws and bolts to avoid stripping
3. Please use hand tools to assemble this product. Do not use power tools.

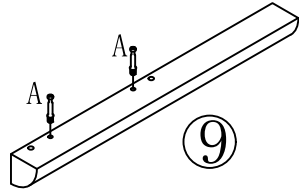
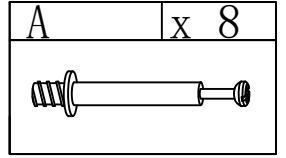
Included Accessories

Code	Description	Qty
1	Cabinet Top	1
2	Bottom Panel	1
3	Left Side Panel	1
4	Right Side Panel	1
5	Neutral plate	2
6	Median septum	1
7	Metal Door	2
8	Crura sinister	2
9	Crura sinister	2

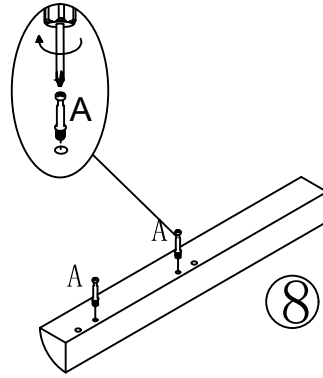
The Accessoriess



Step 1

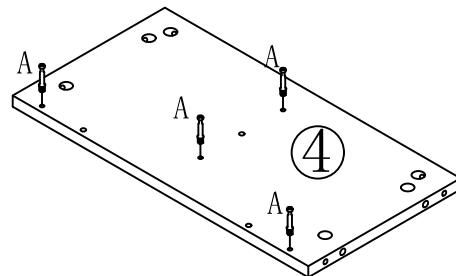
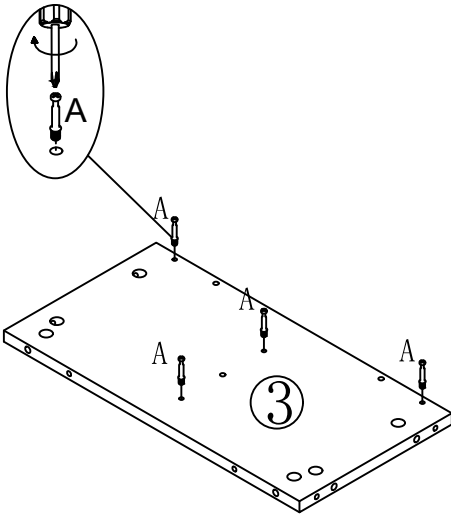
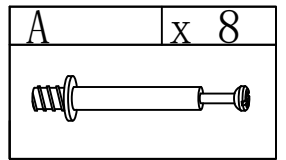


X 2

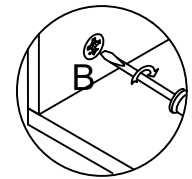
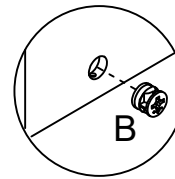
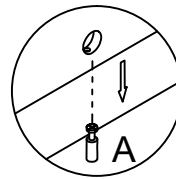
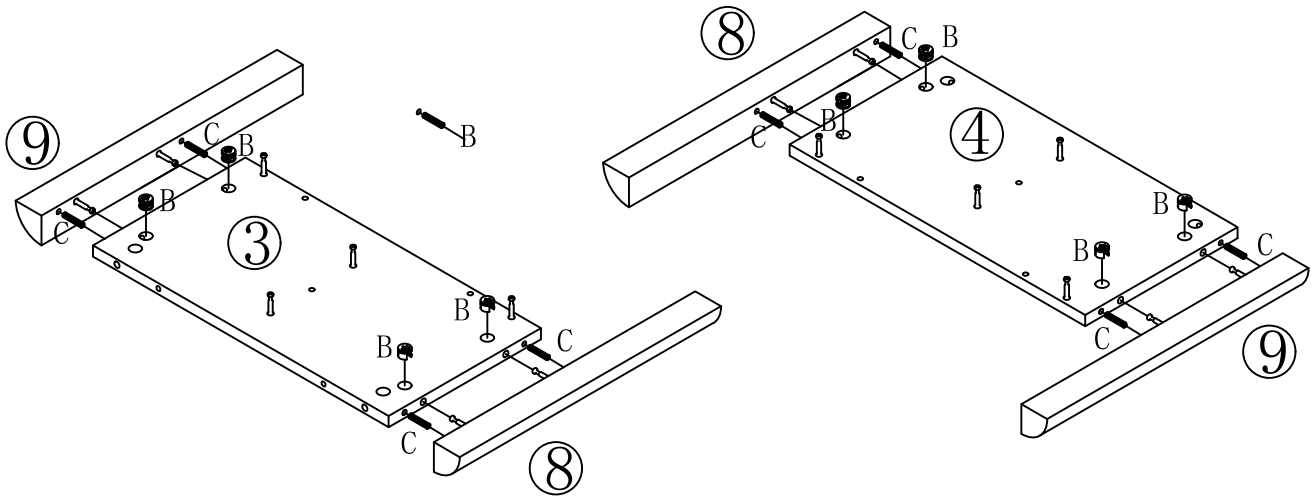
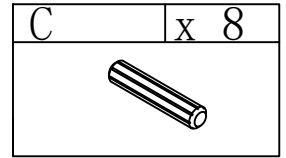
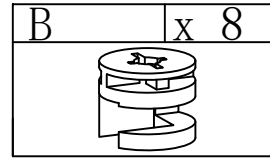


X 2

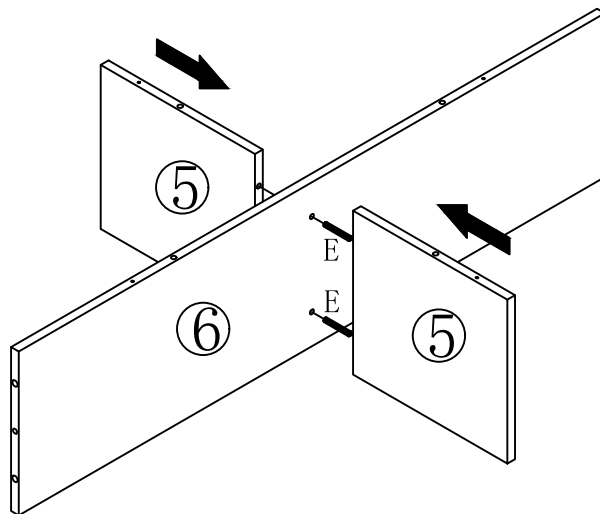
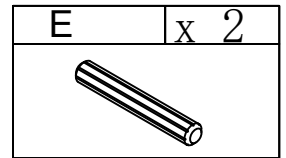
Step 2



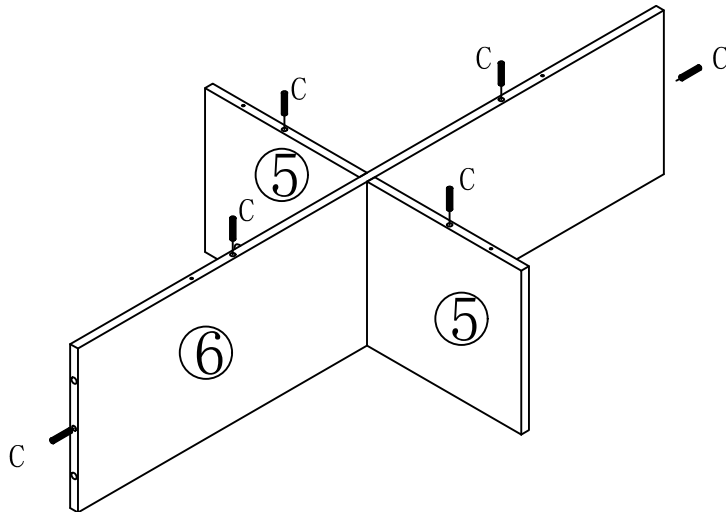
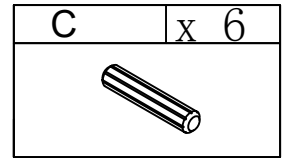
Step 3



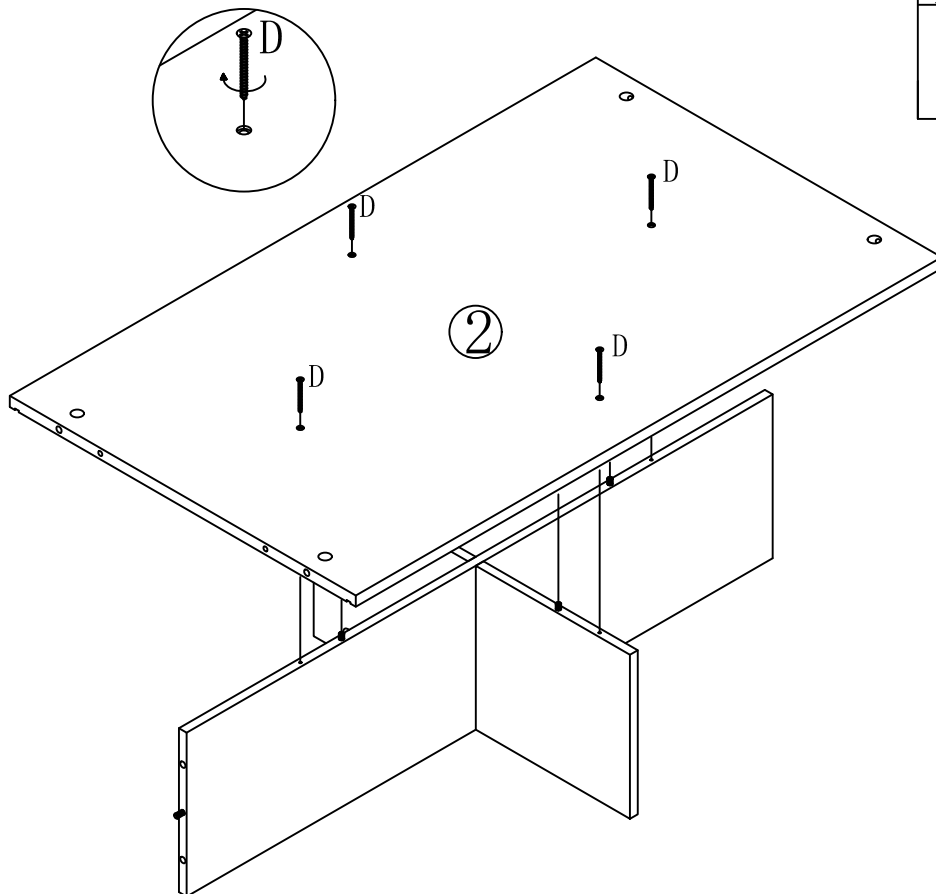
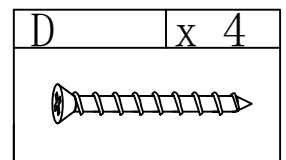
Step 4



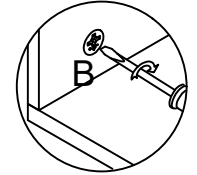
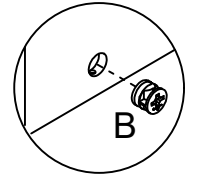
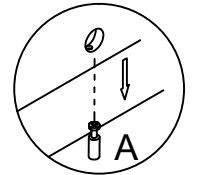
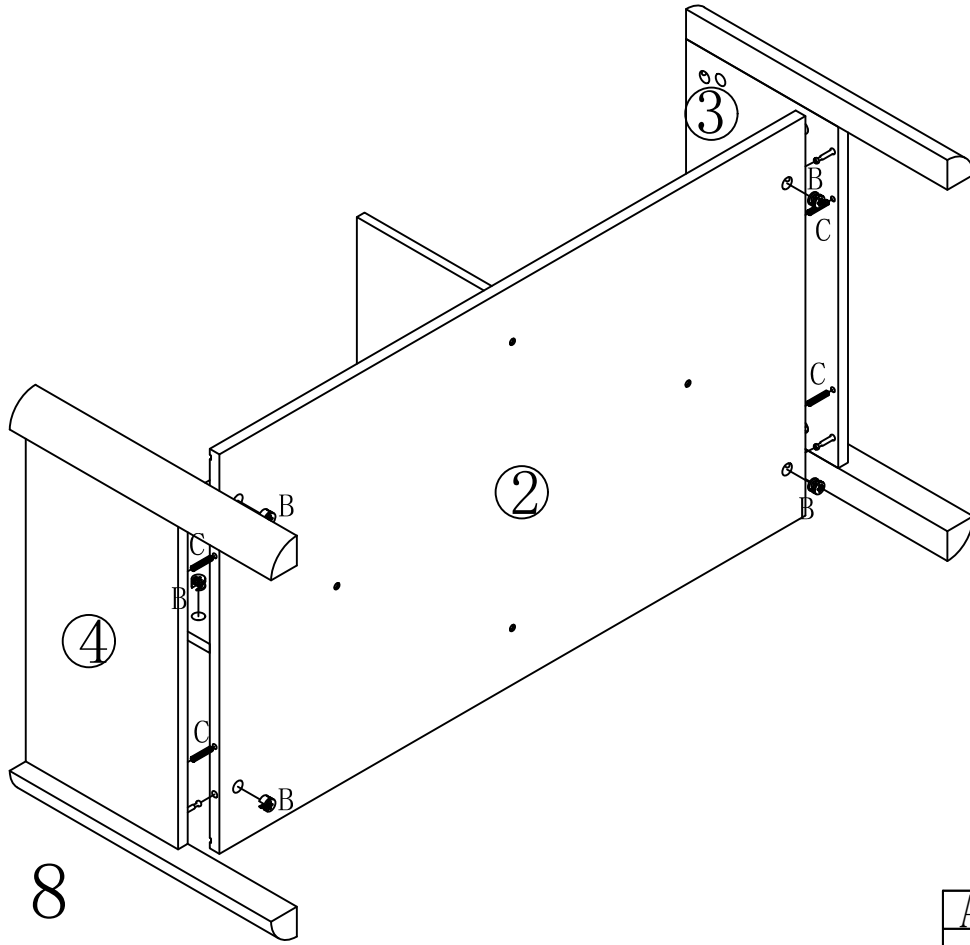
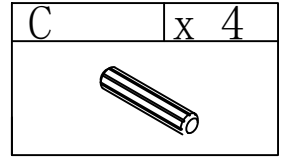
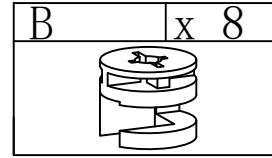
Step 5



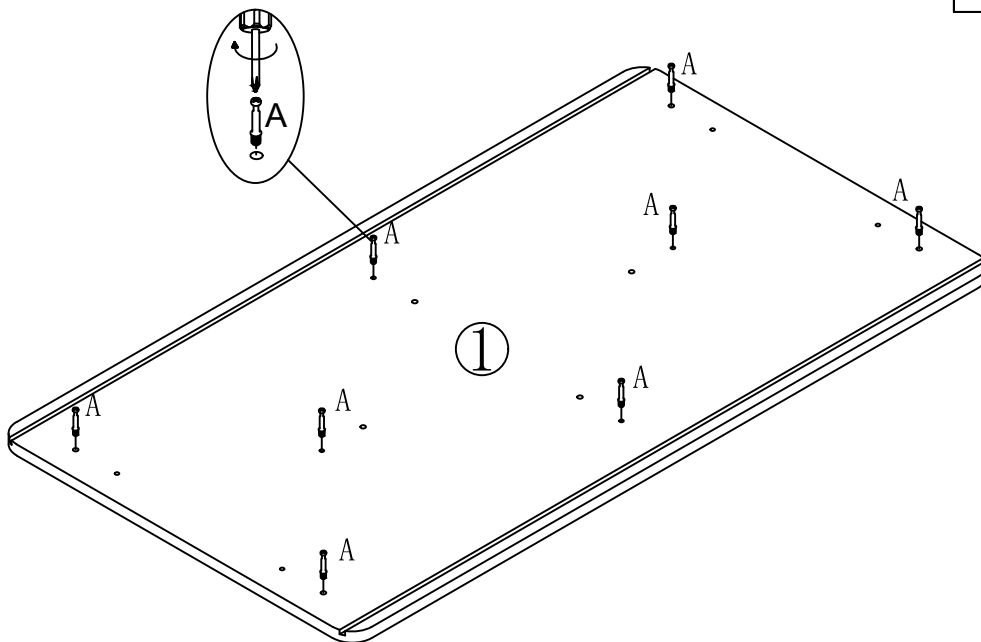
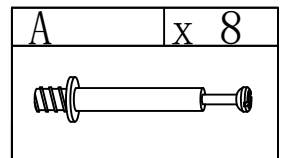
Step 6



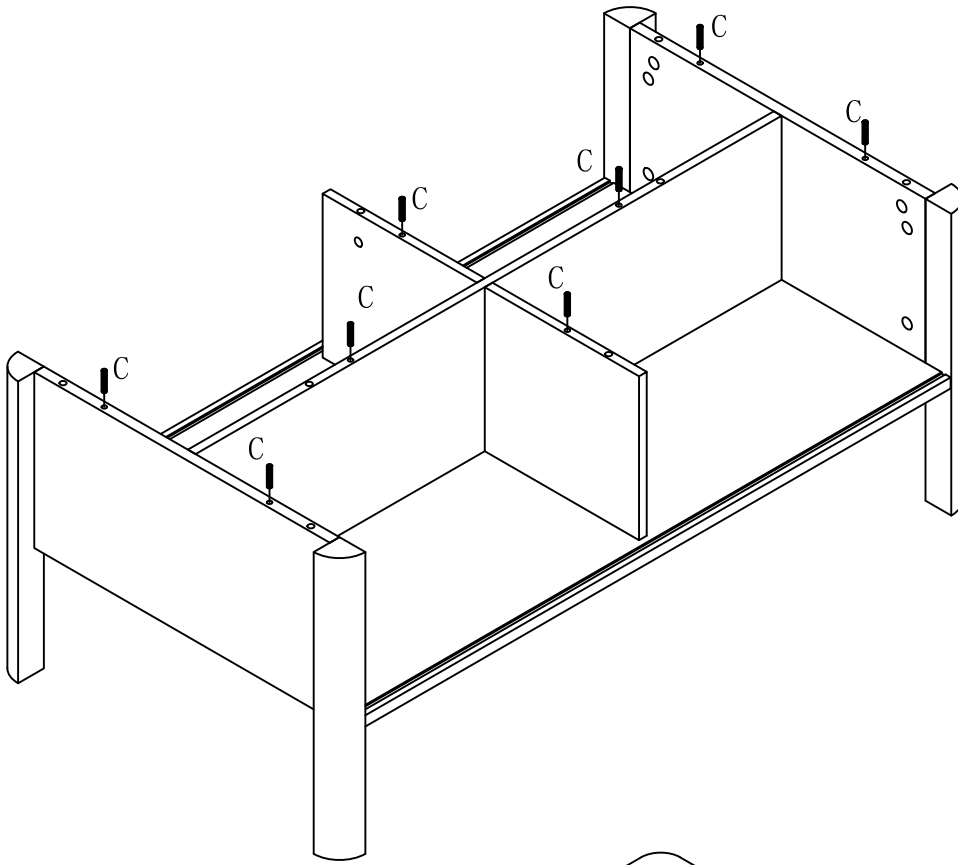
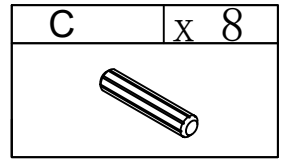
Step 7



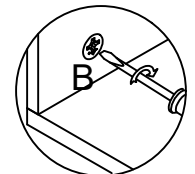
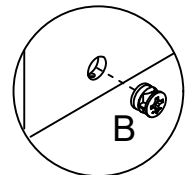
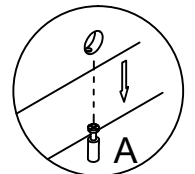
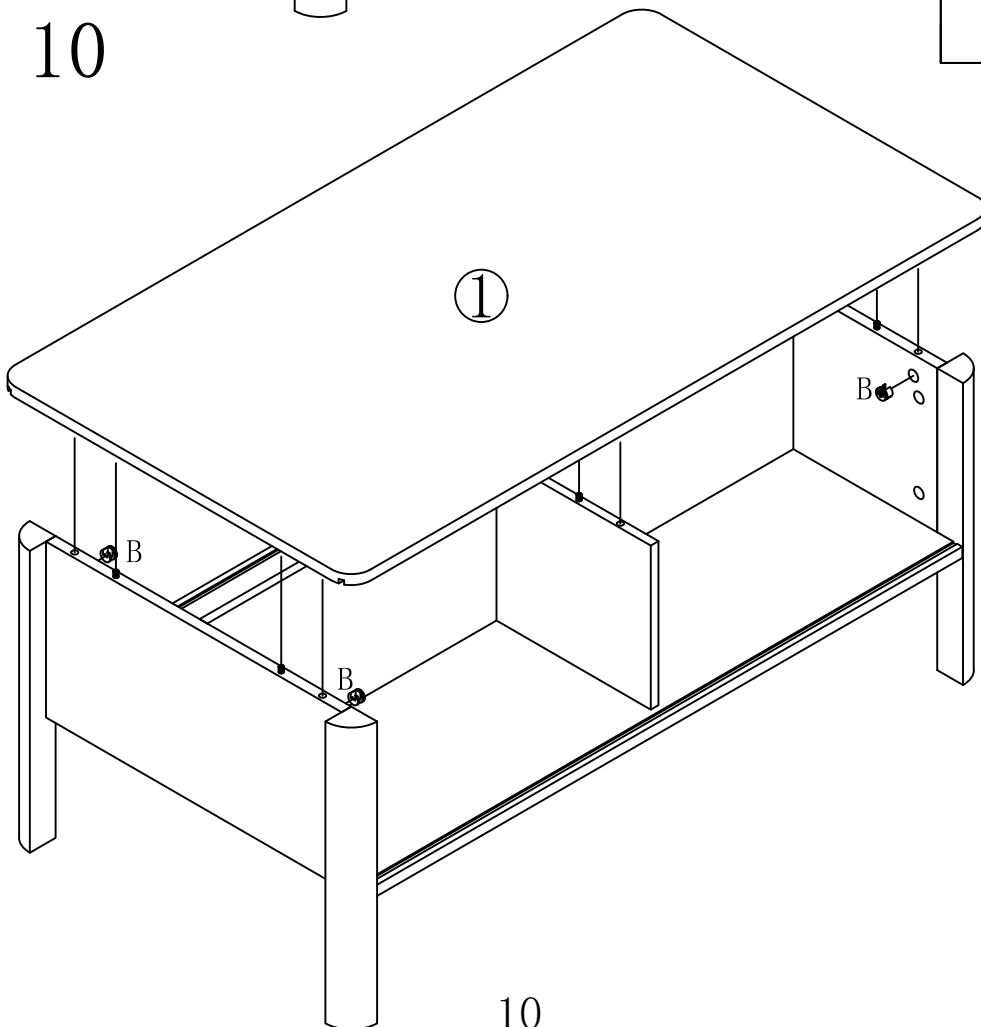
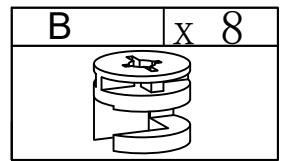
Step 8




Step 9





Step 10

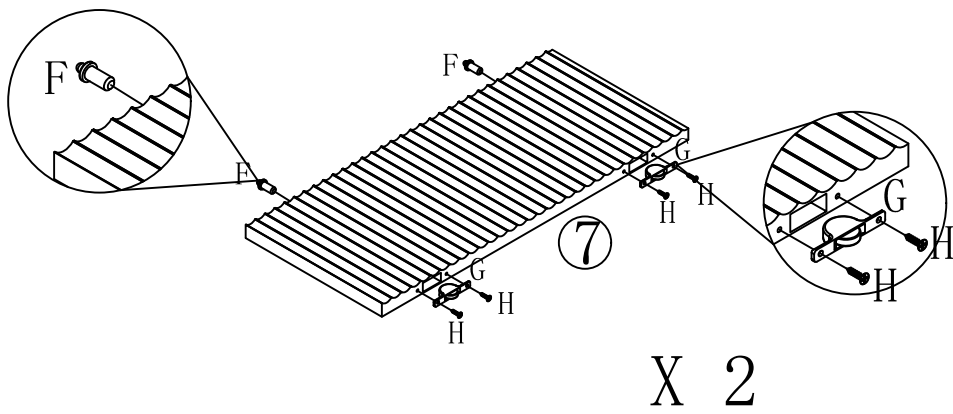


Step 11

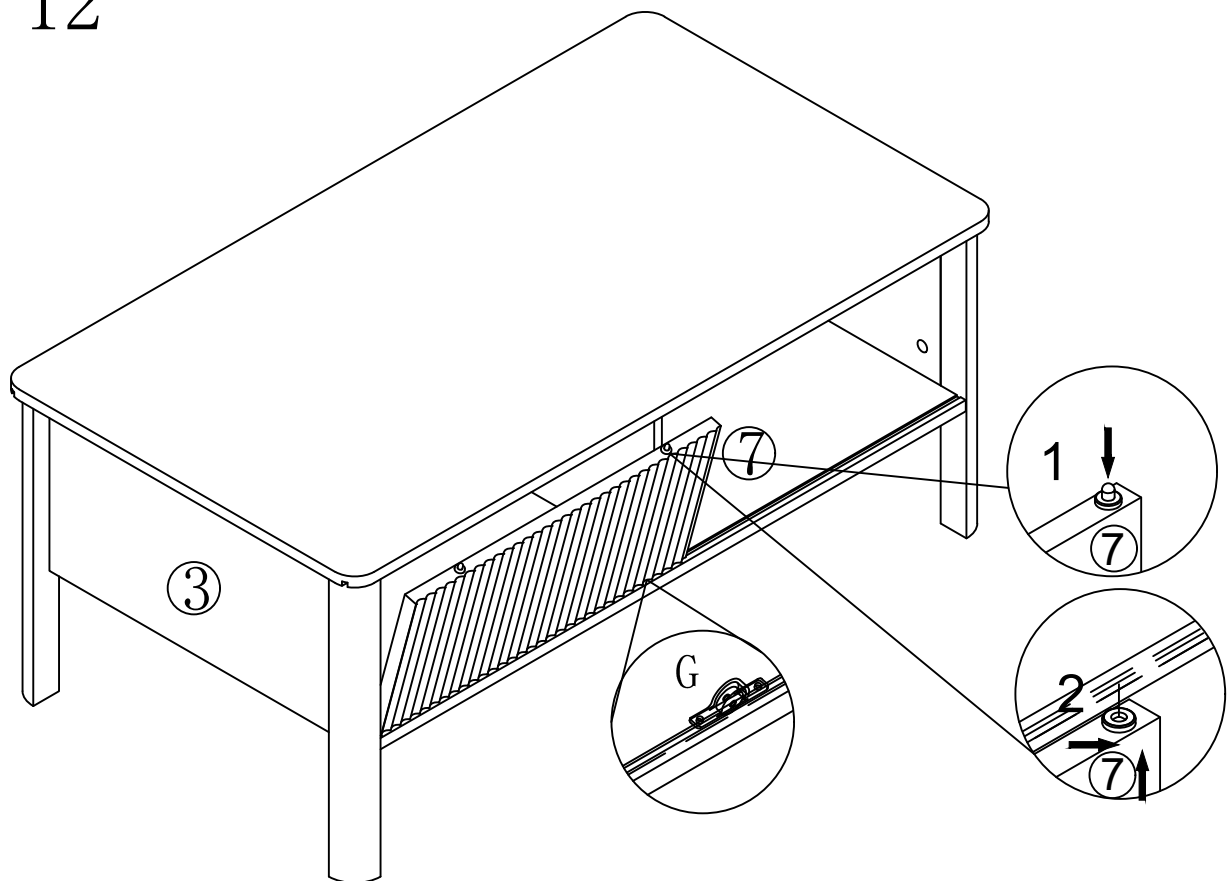
F	x 4
	

G	x 4
	

H	x 8
	



Step 12



Step 13

