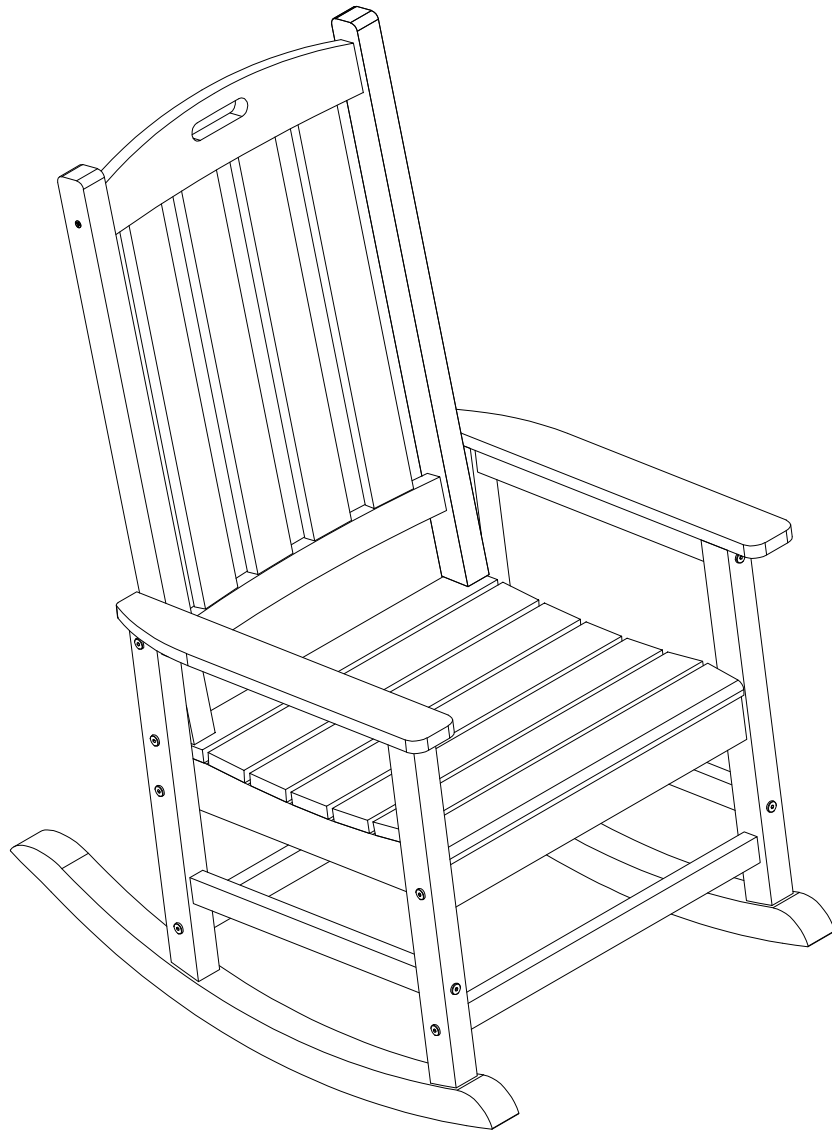


ASSEMBLY INSTRUCTIONS

ROCKER



THIS ASSEMBLY MANUAL CONTAINS IMPORTANT SAFETY INFORMATION.
PLEASE READ AND KEEP FOR FUTURE REFERENCE.

Important Safety Information

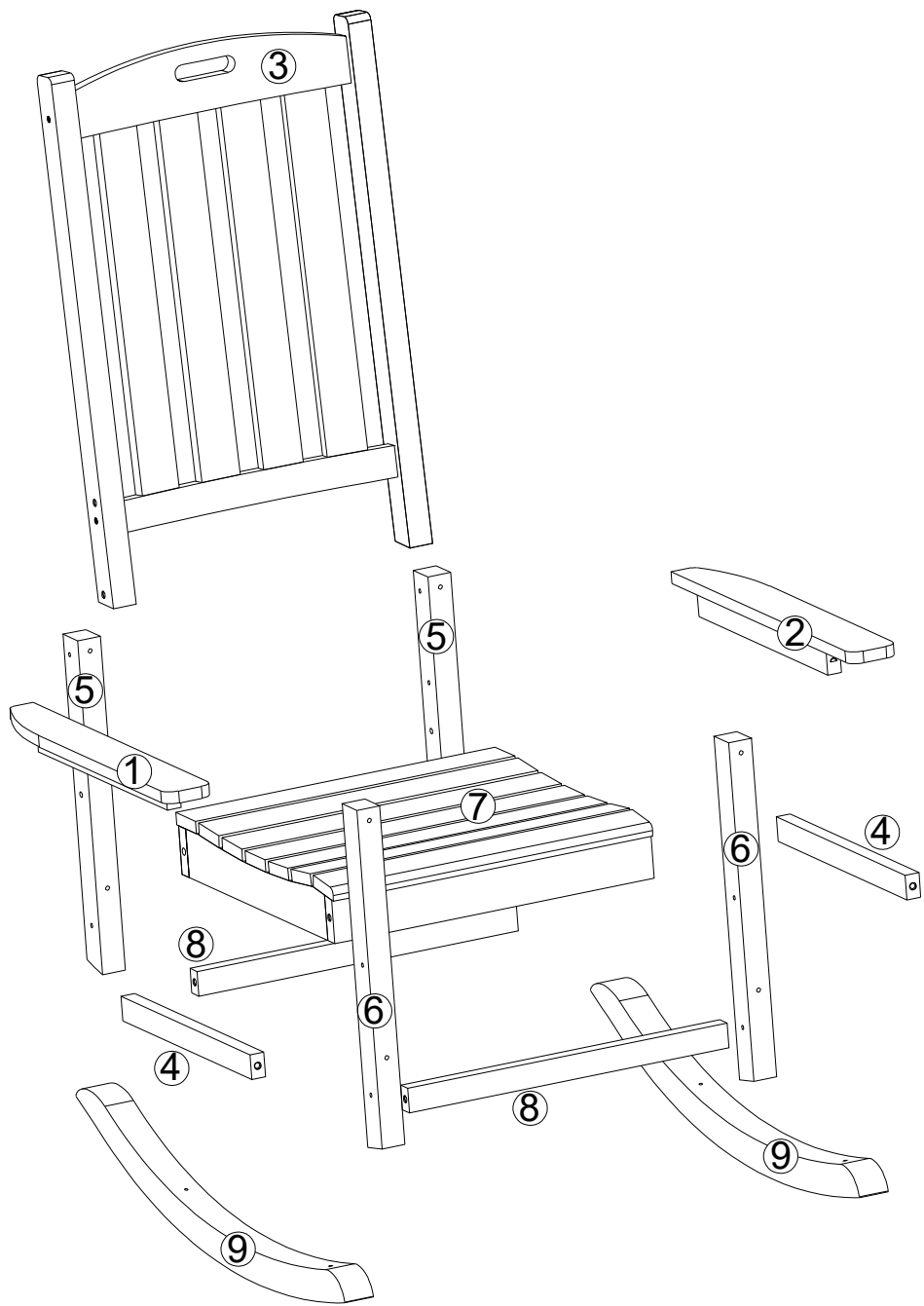
- *Please read all instructions carefully before assembling this furniture.*
 - *For your safety, assembly by two or more adults is strongly recommended.*
 - *Use only vendor-supplied hardware to assemble this item. Using unauthorized hardware could jeopardize the structural integrity of the item.*
 - *Hardware may loosen overtime. Periodically check that all connections are tight.*
-

Before Assembly

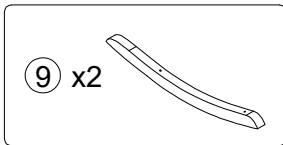
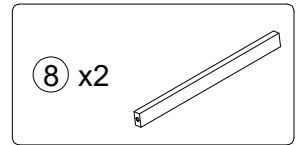
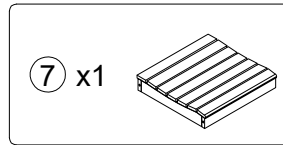
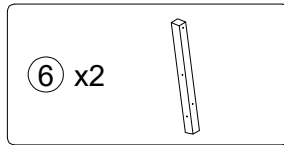
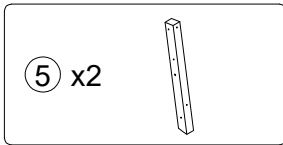
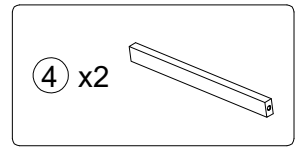
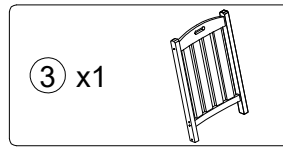
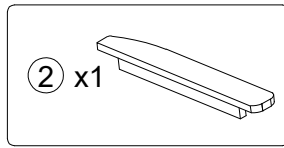
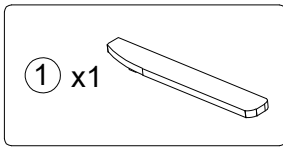
- *Power tools are highly recommended for assembly.*
 - *Remove all parts and hardware from the box. Place all items on a carpeted or scratch-free work surface, as this will avoid damaging parts during assembly.*
 - *The shipping box provides an ideal work surface.*
 - *To avoid accidentally discarding small parts or hardware, do not dispose of any packaging or contents of the shipping carton until assembly is complete.*
 - *Use the parts and hardware lists below to identify and separate each of the pieces included.*
Note: Do not fully tighten all bolts until all parts are in place.
 - *Failure to follow these instructions may cause the bolts to misalign during assembly.*
-

Care and Cleaning

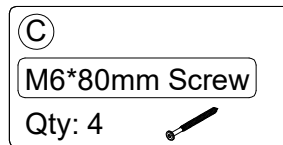
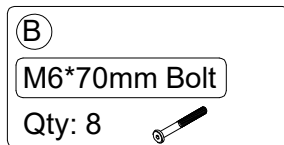
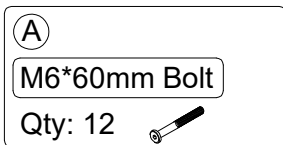
- *Routine cleaning of the furniture can be completed with only warm water and soap*
- *You can use the sanding sponge for cleaning.*



Part List

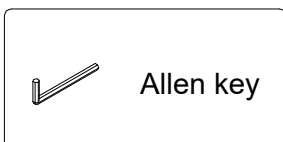


Hardware List

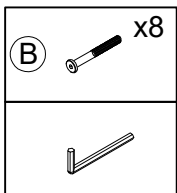
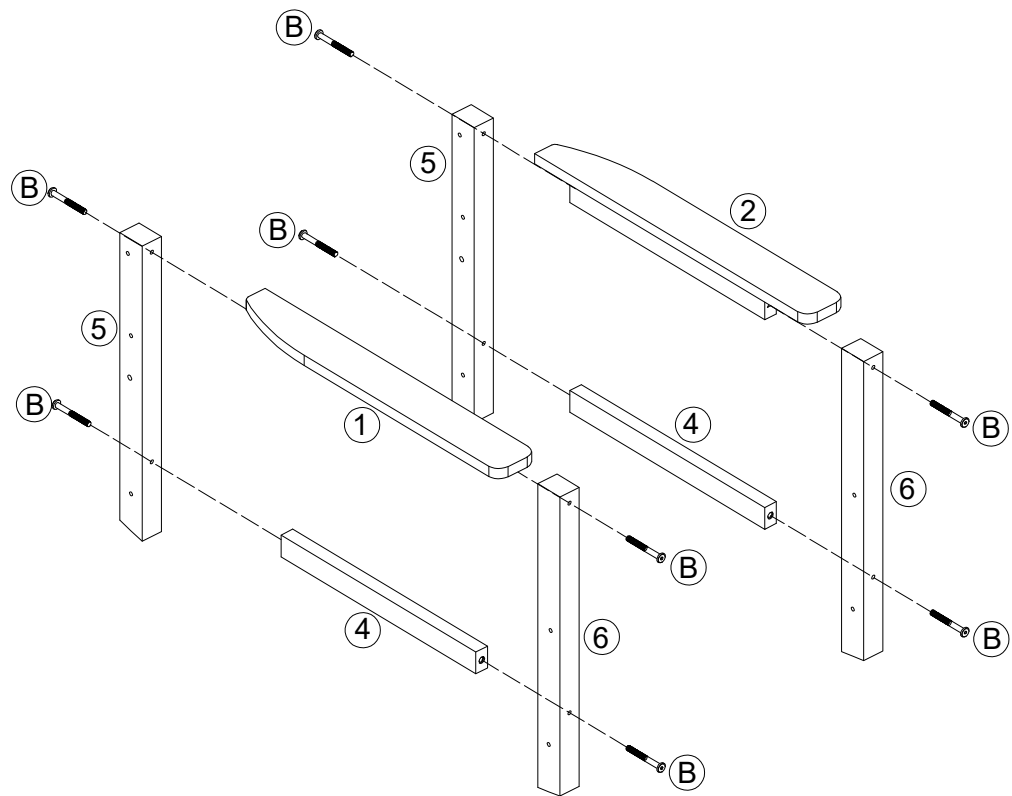


Power tools are highly recommended for assembly

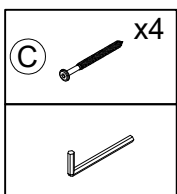
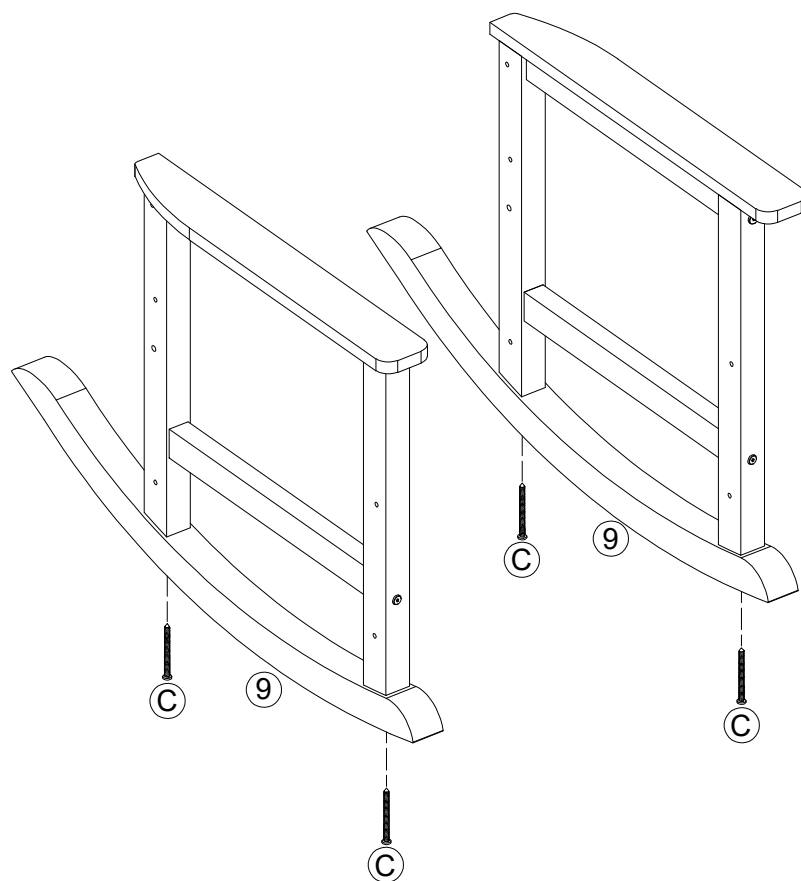
Tools Needed for Assembly



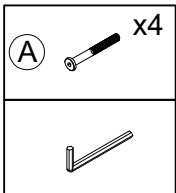
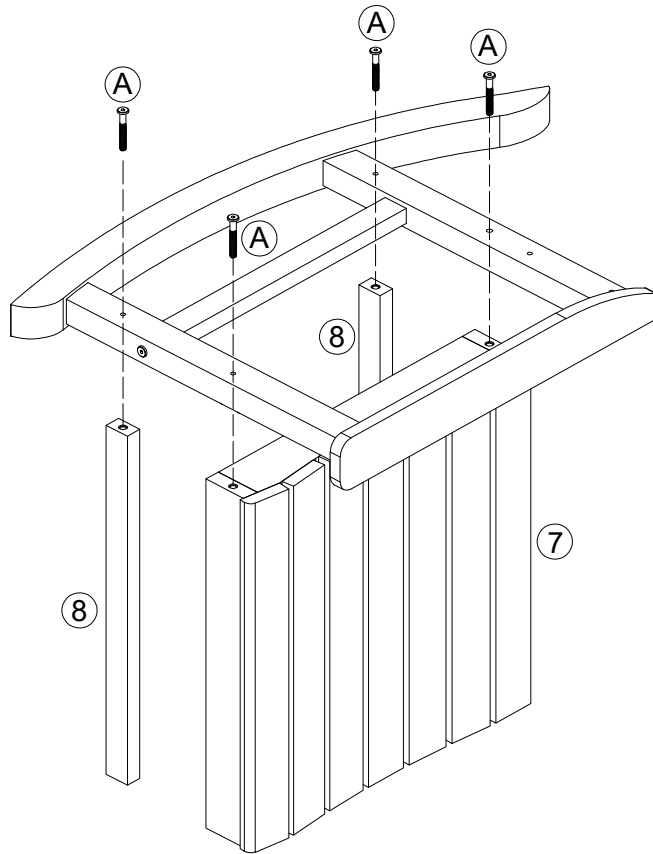
Step 1



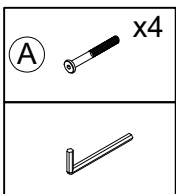
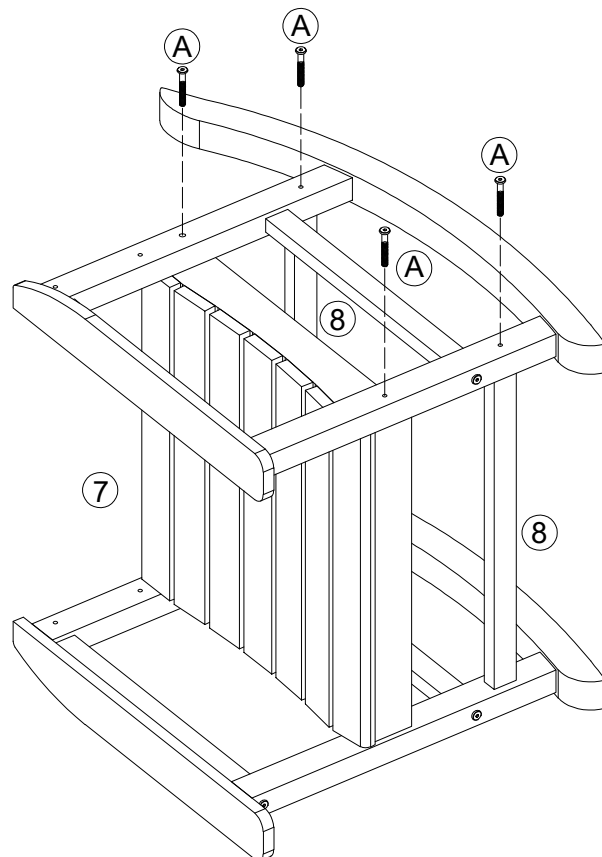
Step 2



Step 3



Step 4



Step 5

