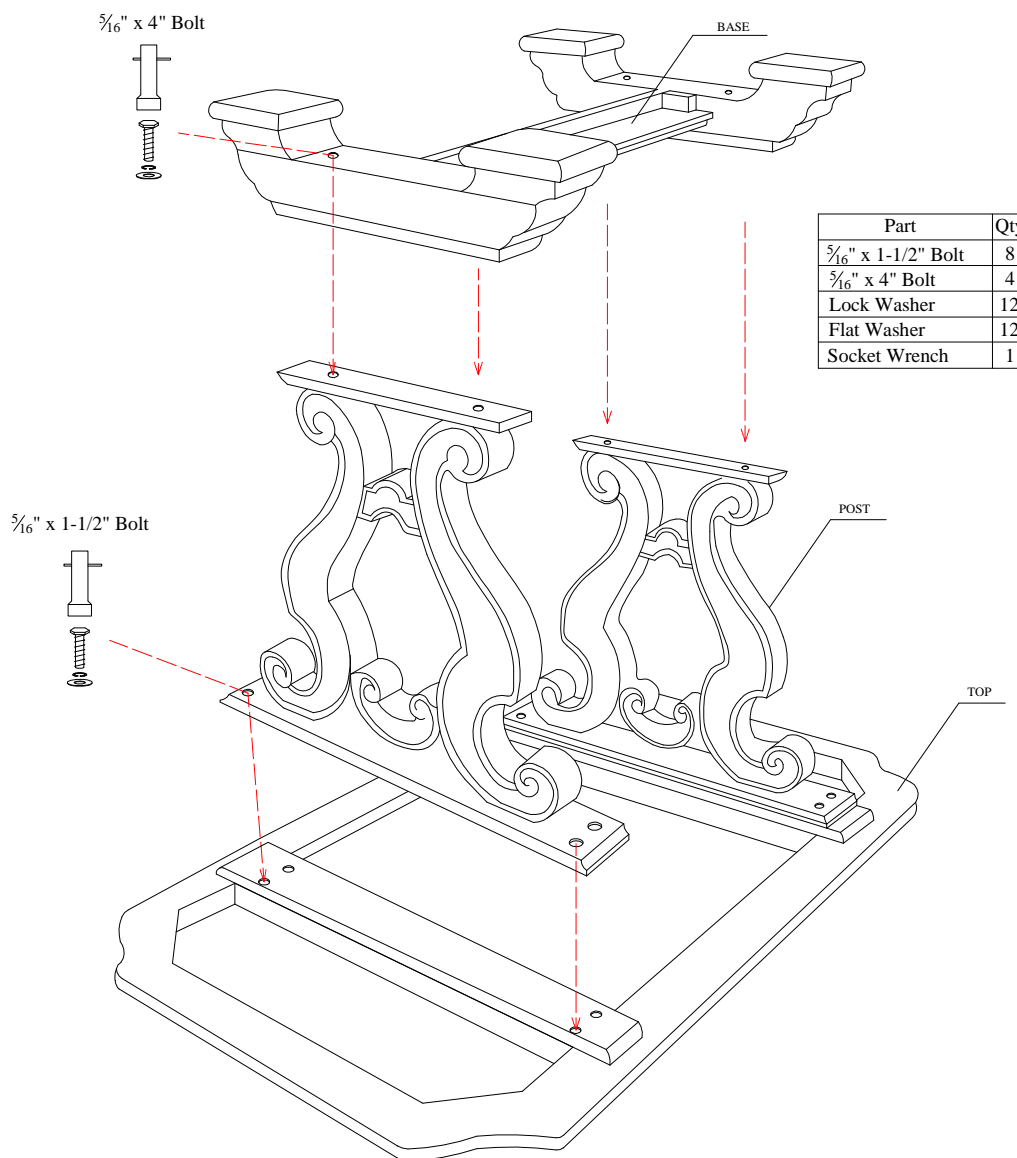


**LEXINGTON**  
 HOME BRANDS  
**ASSEMBLY INSTRUCTIONS**  
**621-873 BISTRO TABLE**

1. Place Top upside-down on non-marring surface.
2. Position (1) Post so that (4) holes on post align with (4) holes on Top. Use provided Socket Wrench to attach Post to Top with (4) Flat Washers, (4) Lock Washers, and (4) 5/16" x 1-1/2" Bolts. Tighten securely. Repeat this step for other Post.
3. Position Base so that holes on Base align with holes on Posts. Use Socket Wrench to attach Base to Posts with (4) Flat Washers, (4) Lock Washers, and (4) 5/16" x 4" Bolts. Tighten securely.
4. Set table upright.



For additional consumer assistance please contact your Lexington dealer or call our Consumer Services Department at 1-336-474-5300, Monday-Friday, 8-5 EST