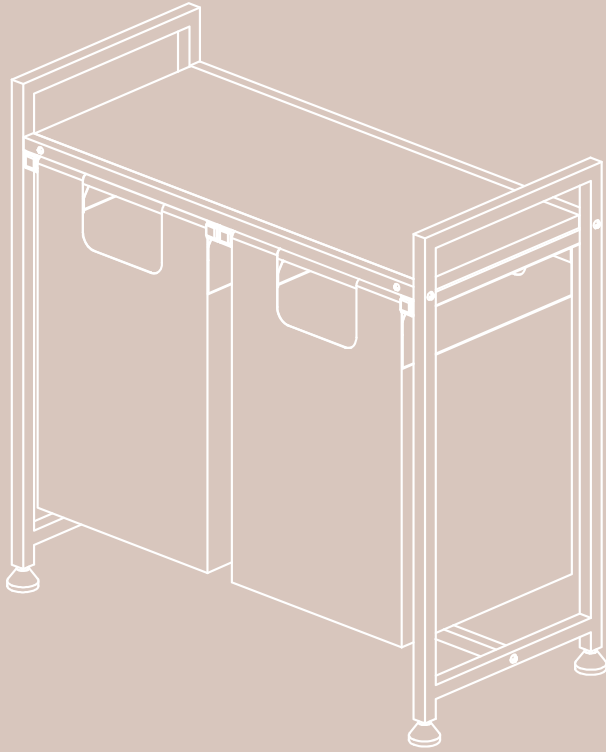
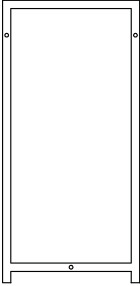
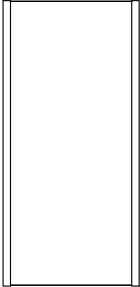

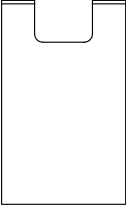


Installation

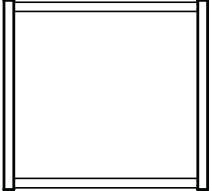
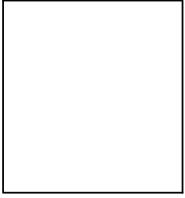


Instructions



Parts List

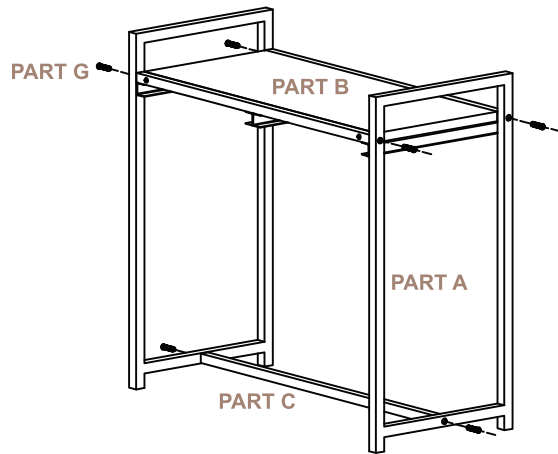
No.	Product Name	Illustration	Quantity
1	PART A: Vertical Posts		2 PCS
2	PART B: Top Lid		1 PCS
3	PART C: Crossbar		1 PCS
4	PART D: Bags		2 PCS

Parts List

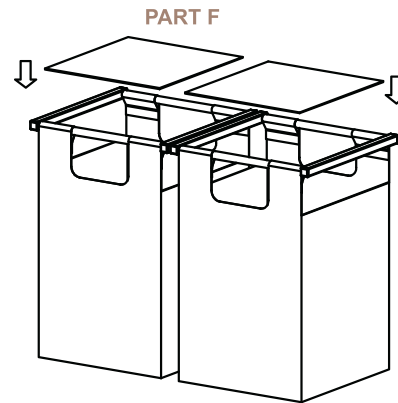
No.	Product Name	Illustration	Quantity
5	PART E: Pull-out Frame		2 PCS
6	PART F: PE Bottom Panels		2 PCS
7	PART G: Screws		6 PCS
8	PART H: Circular Bases		4 PCS

Step 1: Install the Frame

Use PART G to connect PART A and PART B, PART A and PART C respectively.



Step 3: Put the Bottom Panels into the Bags

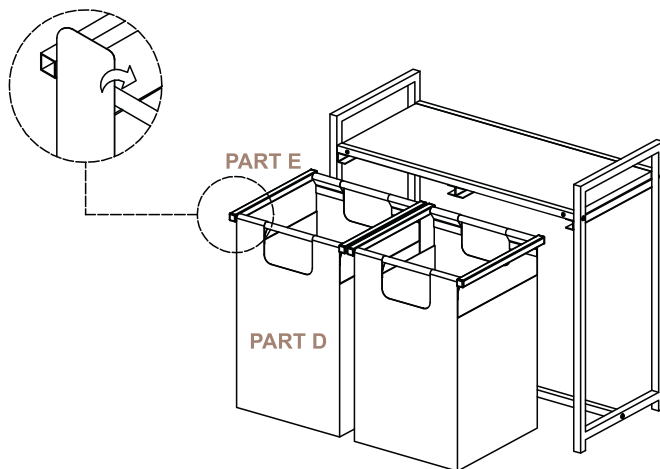


Thanks for choosing Belinova Laundry Cart. Following the installation steps will guarantee you a robust, dependable, and long-lasting product. If you have any concerns or questions, our customer service team is always ready to assist. Your satisfaction is our top priority.

Thanks for your business and wish you a wonderful experience with your new Laundry Cart.

Step 2: Install the Bags

Wrap the hook and loop fasteners around PART E and press firmly to attach.



Step 4: Install the Bases

You're done! Begin to enjoy the convenient and happy life this laundry sorter brought to you!

