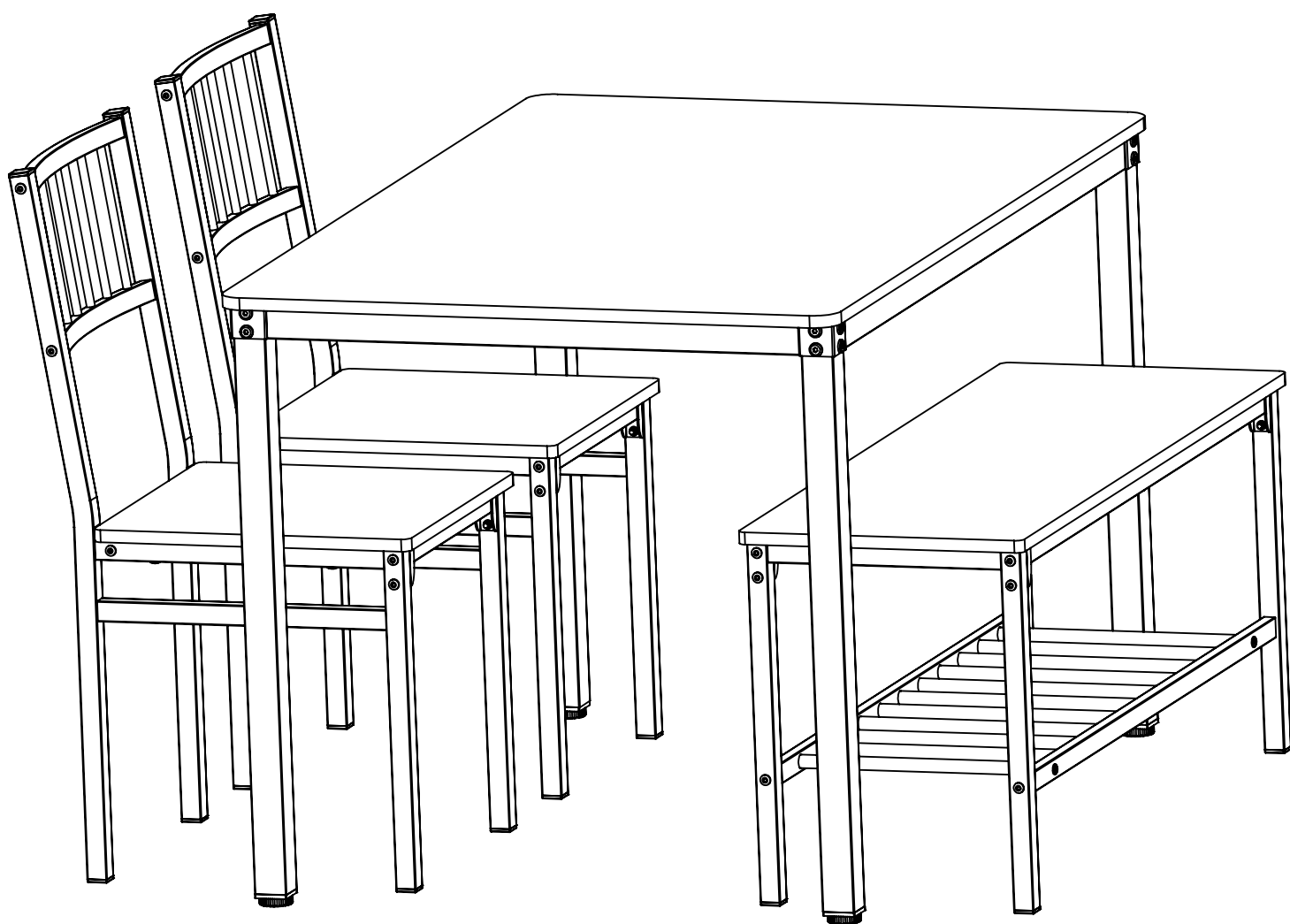
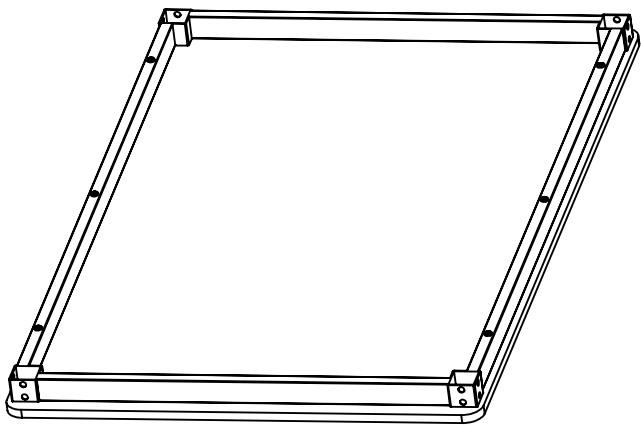


Dining Table and Chairs Set

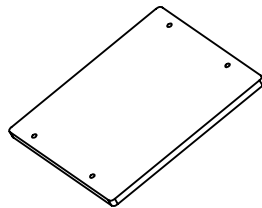


Large Size

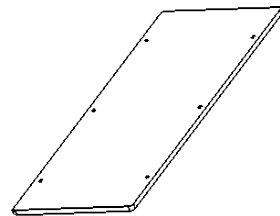
① X2



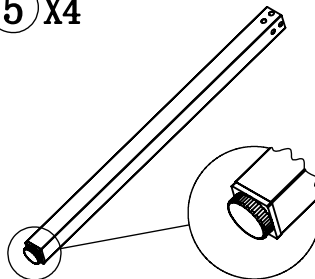
② X2



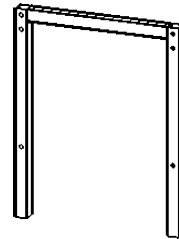
③ X1



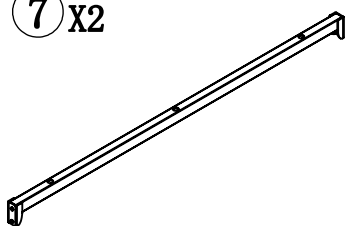
⑤ X4



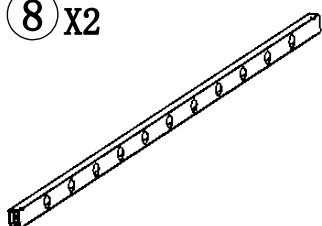
⑥ X2



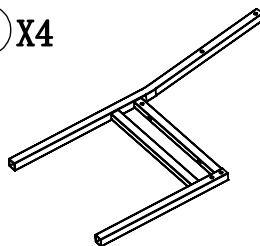
⑦ X2



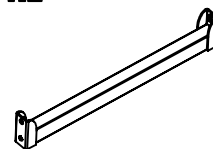
⑧ X2



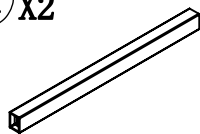
⑨ X4



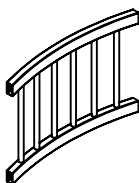
⑩ X2



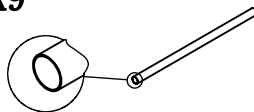
⑪ X2



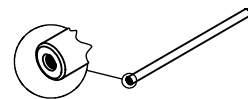
⑫ X2



⑬ X9



⑭ X2



A X8



M6X50

B X8



M6X45

C X30



M6X35

D X4



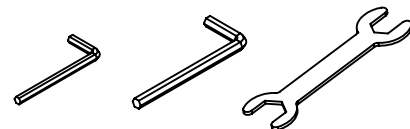
M6X25

E X16

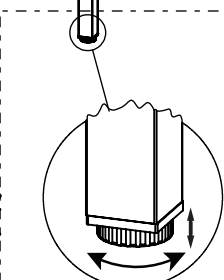
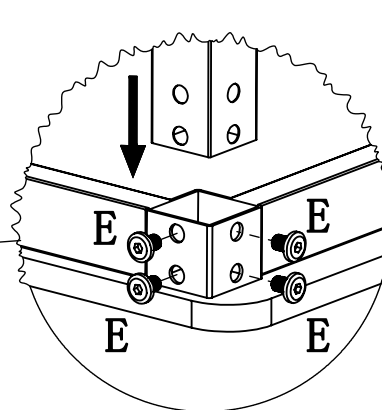
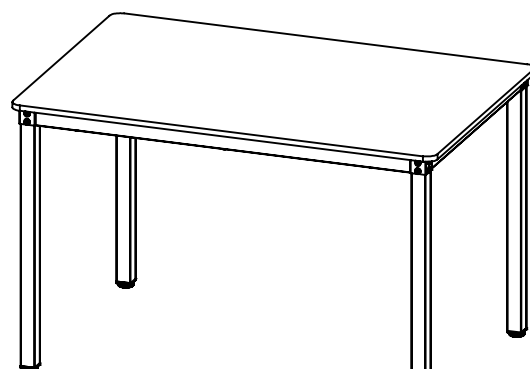
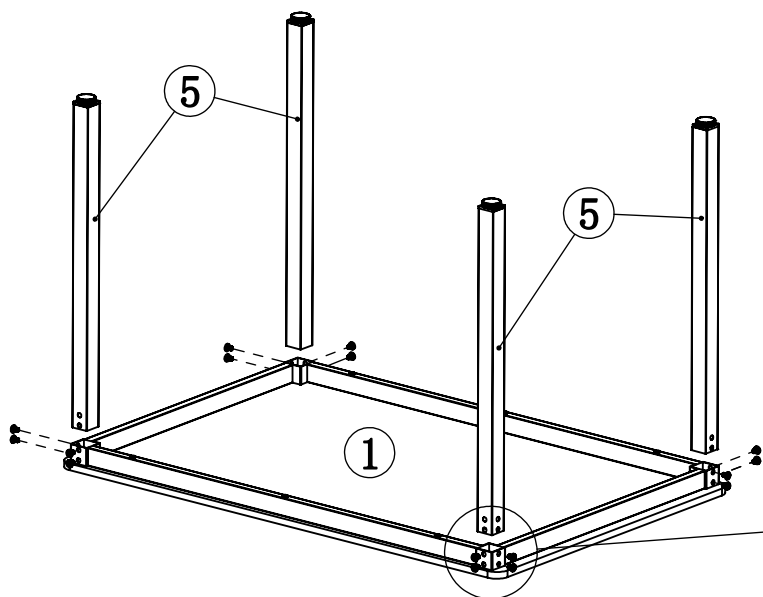


M8X12

installation tools



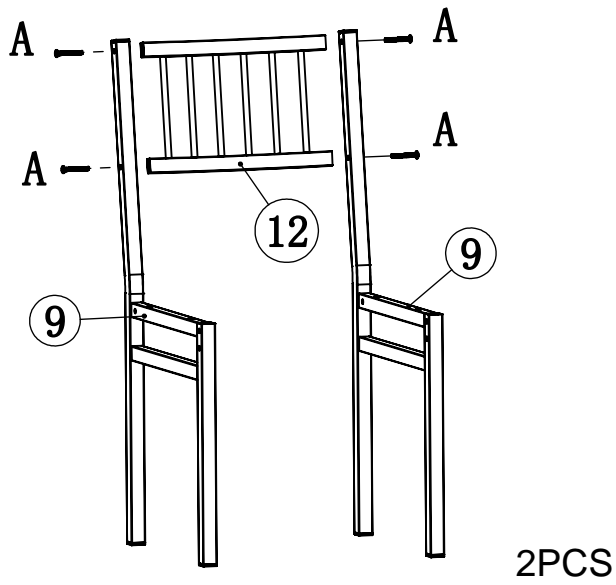
Step 1



Adjust the height of the table leg by rotating the adjustment leg pad to make the table stable.

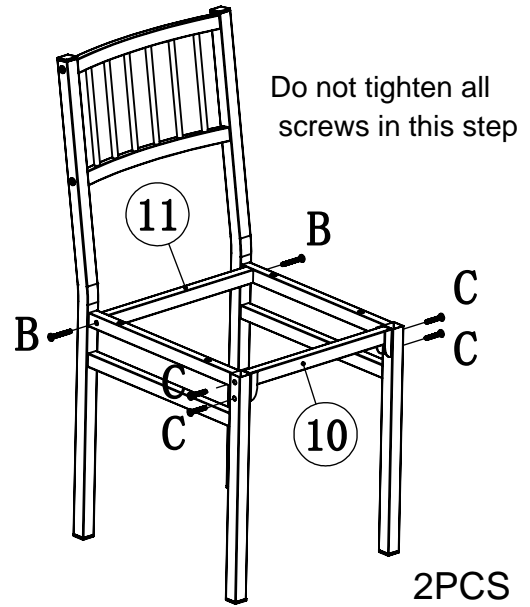
Step 2

Do not tighten all screws in this step



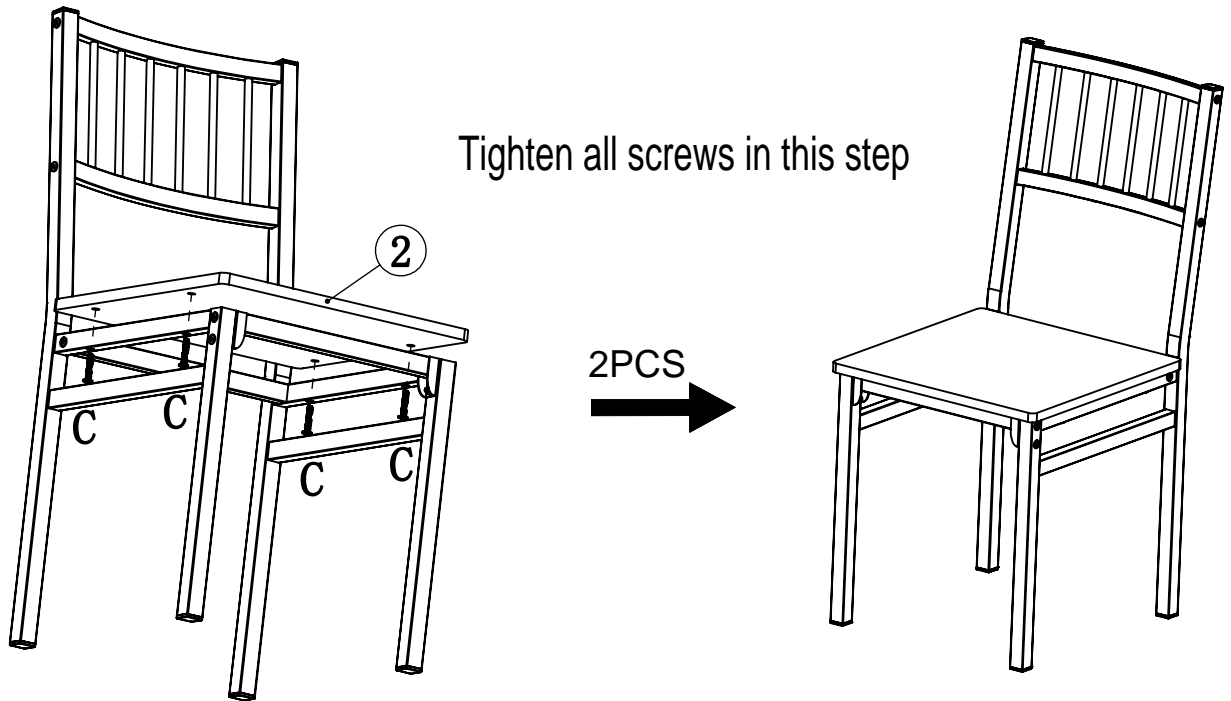
Step 3

Do not tighten all screws in this step

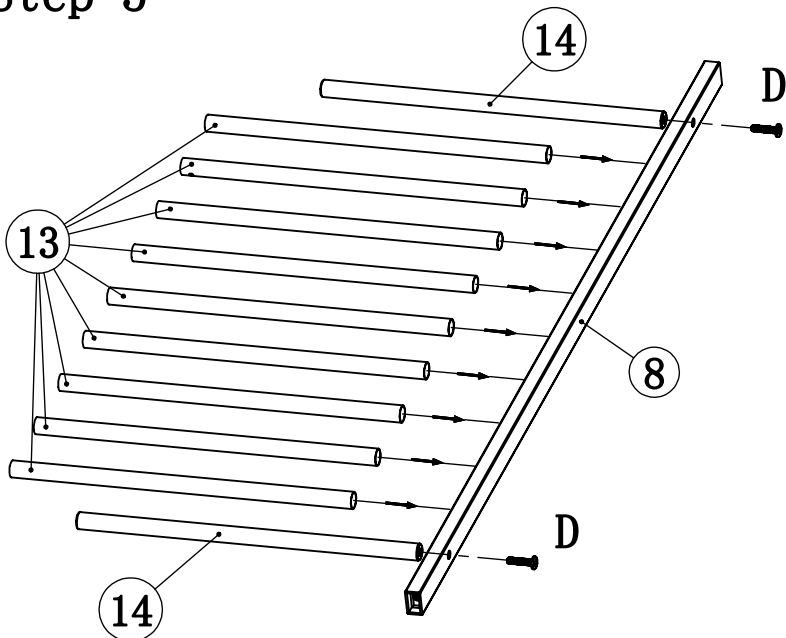


Step 4

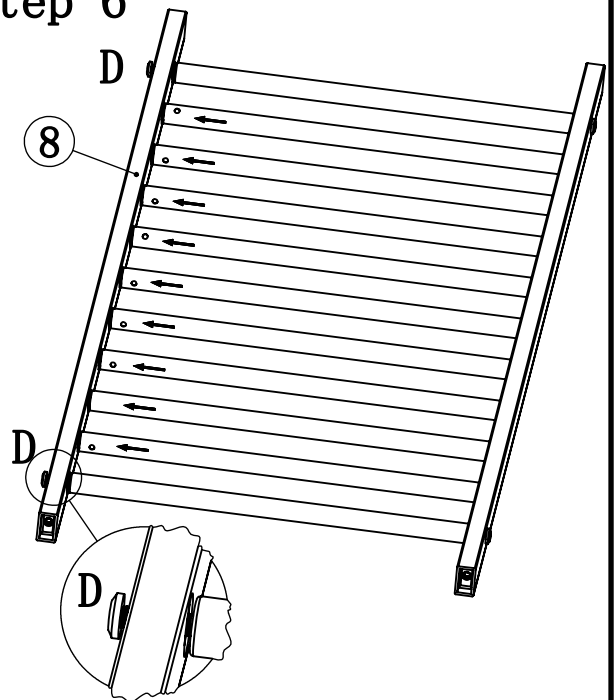
Tighten all screws in this step



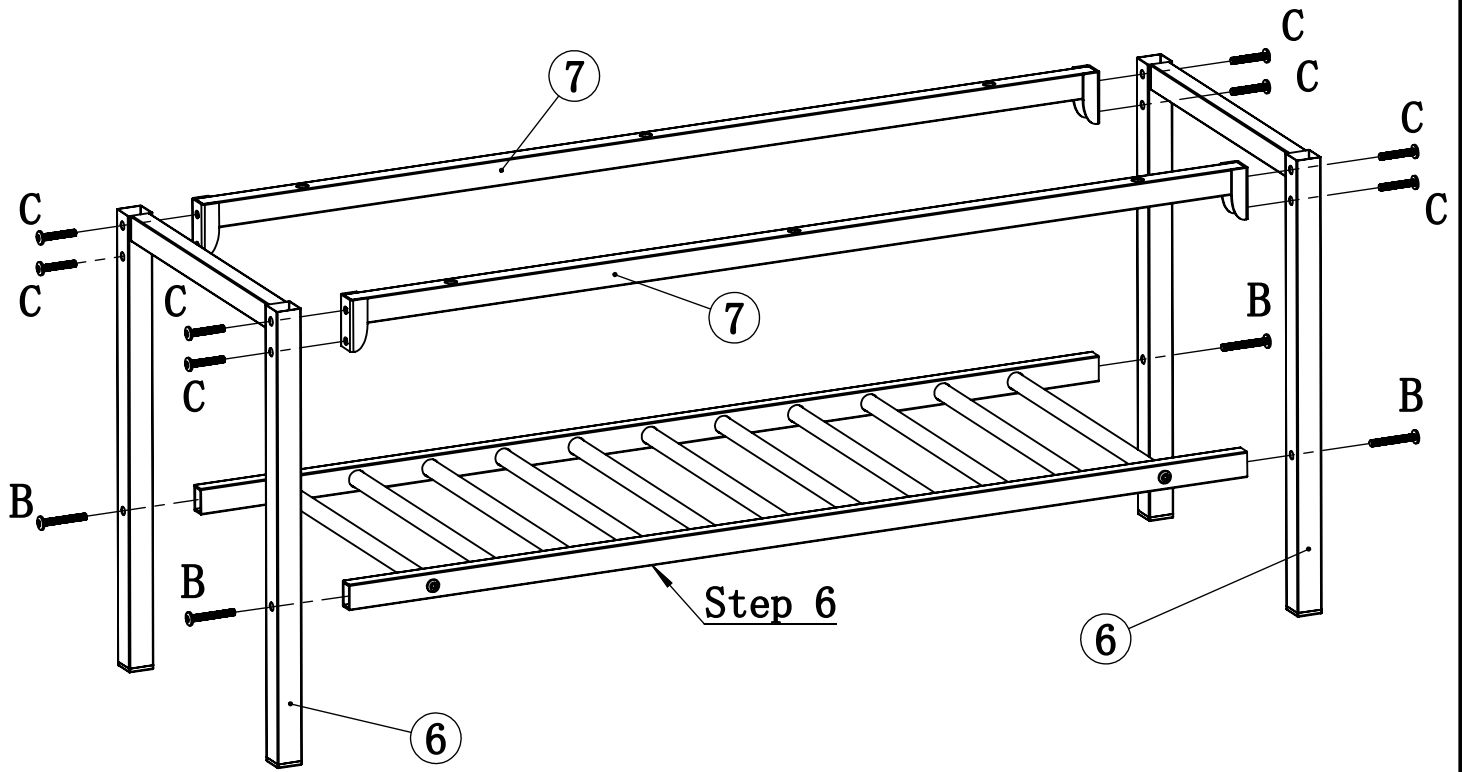
Step 5



Step 6



Step 7



Step 8

