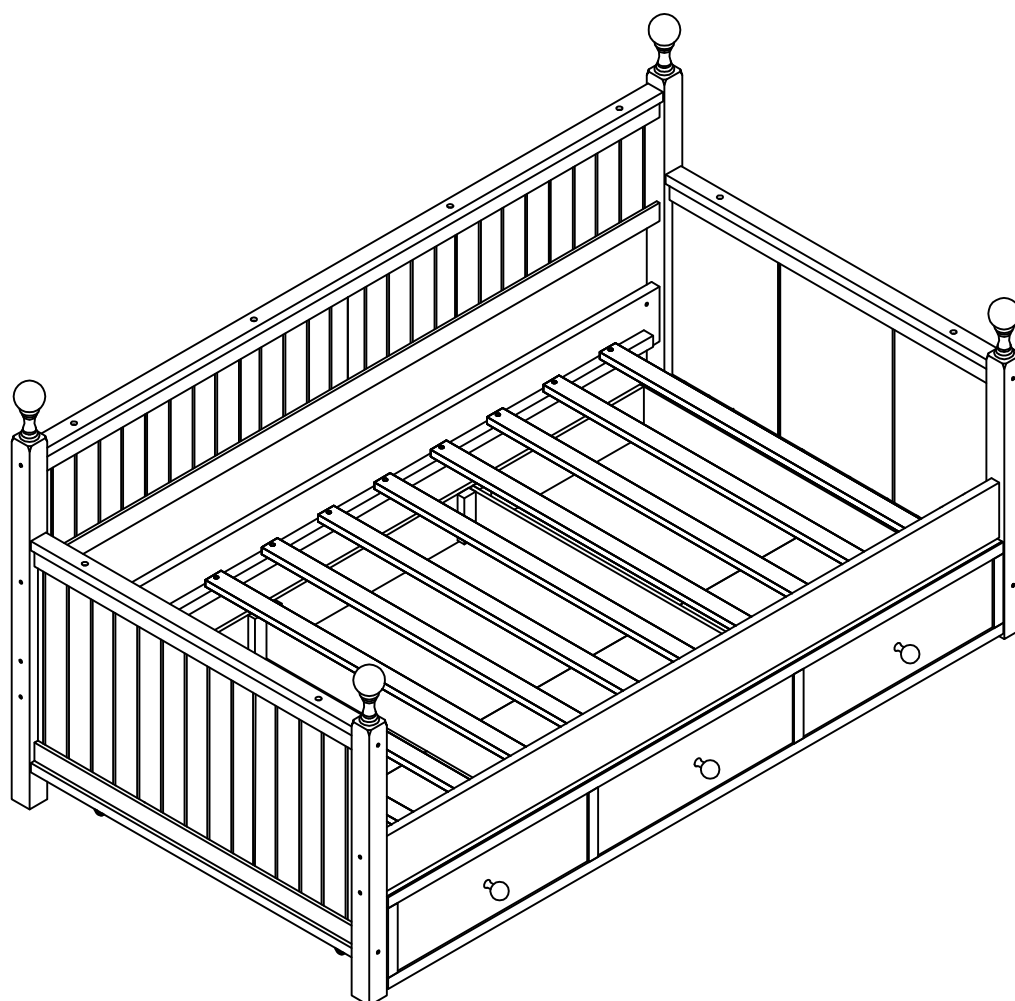


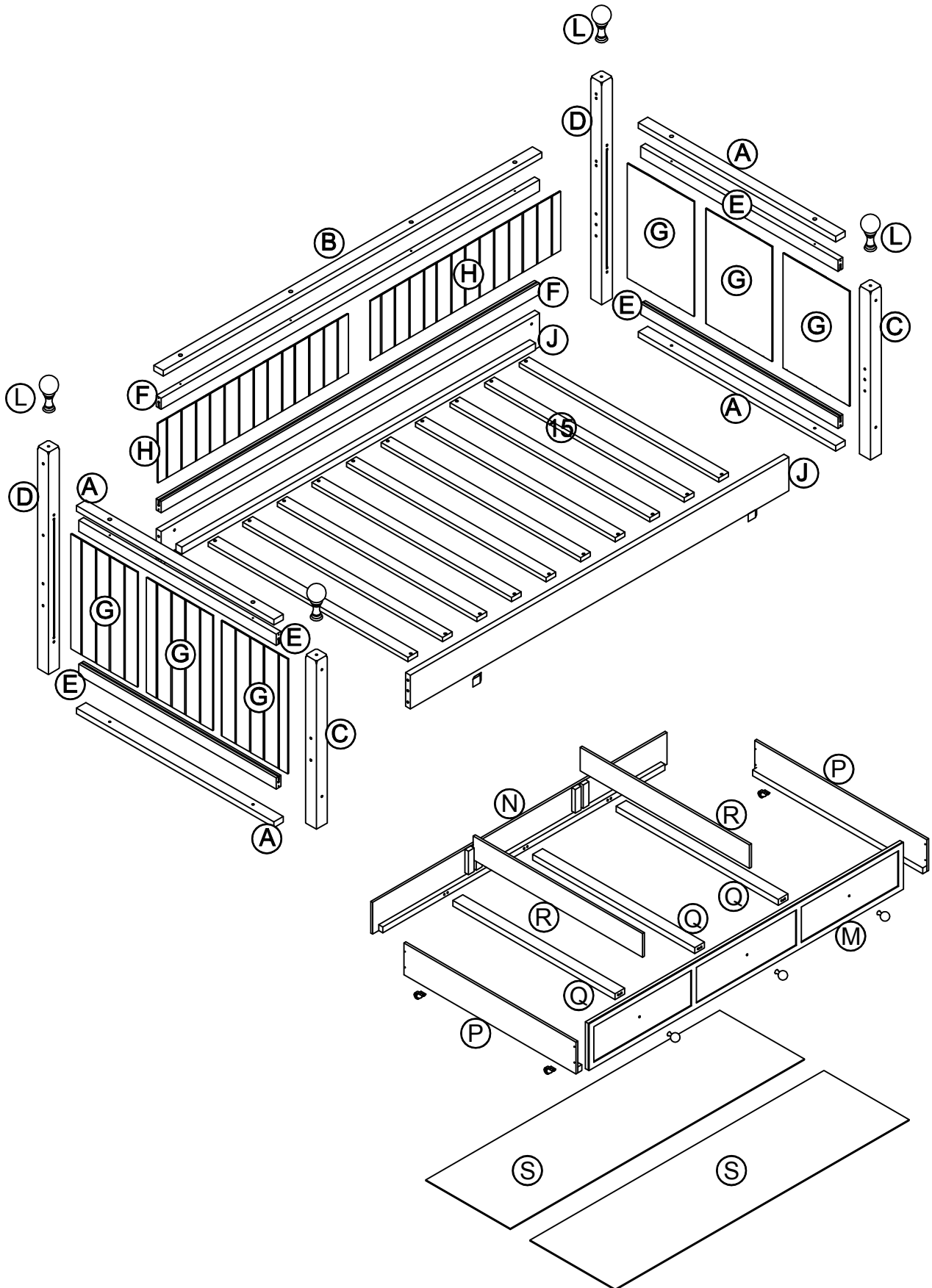
ASSEMBLY INSTRUCTIONS

DAYBED WITH 3 DRAWER



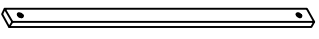
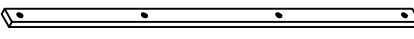
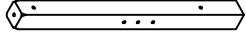

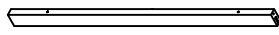
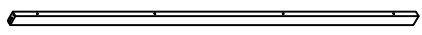
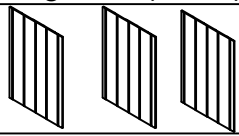
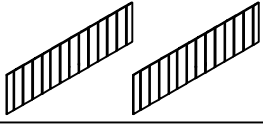

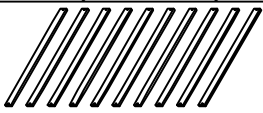
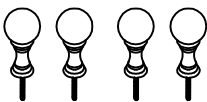
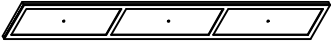

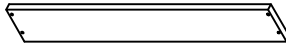
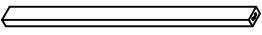
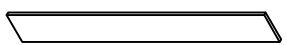
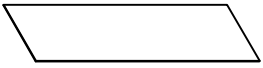
WF193577 / 193578

DETAIL VIEW



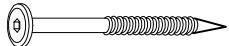








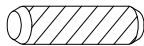




WF193577 / 193578

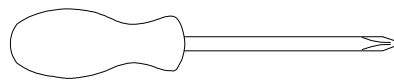
PART LISTS

<p>A</p>  <p>Side Frame Cap - 4pcs</p>	<p>B</p>  <p>Back Frame Cap - 1pc</p>	<p>C</p>  <p>Front legs (C-C1)-2pcs</p>
<p>D</p>  <p>Back legs HB (D-D1) - 2pcs</p>	<p>E</p>  <p>Side bar - 4pcs</p>	<p>F</p>  <p>Back bar - 2pcs</p>
<p>G</p>  <p>Side panel - 6pcs</p>	<p>H</p>  <p>Back panel - 2pcs</p>	<p>J</p>  <p>Side rail upper -2pcs</p>
<p>15</p>  <p>Slat - 10pcs</p>	<p>L</p>  <p>Apparatus- 4pcs</p>	<p>M</p>  <p>Drawer front - 1pc</p>
<p>N</p>  <p>Drawer back - 1pc</p>	<p>P</p>  <p>Drawer Left/Right - 2pcs</p>	<p>Q</p>  <p>Drawer Support Bar- 3pcs</p>
<p>R</p>  <p>Center Drawer Panel - 2pcs</p>	<p>S</p>  <p>Bottom Drawer Panel - 2pcs</p>	

HARDWARE LISTS

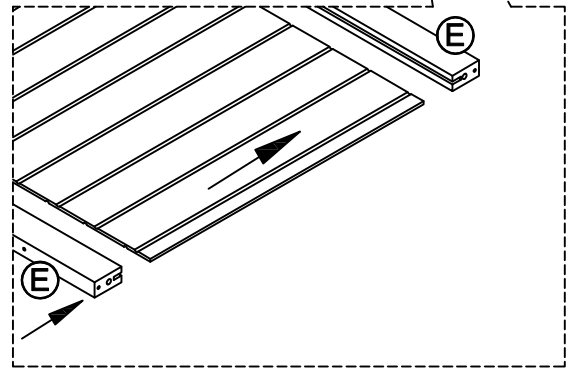
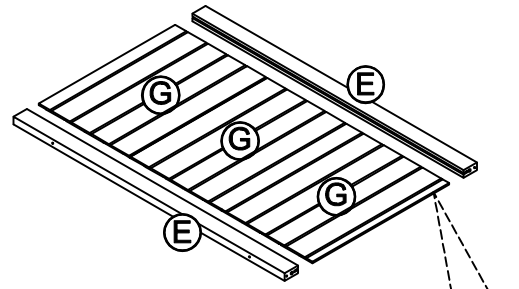
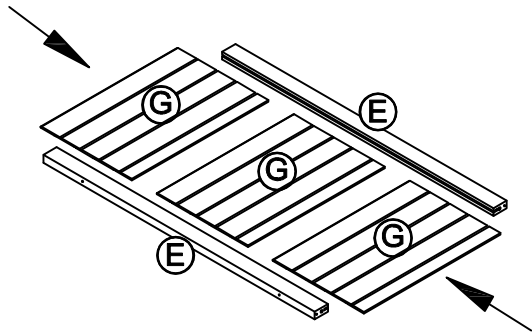
1  Ø10 x 30 mm Wood dowel 16pcs	2  Ø1/4" x 100 mm Hex-Head bolts (8pcs)	3  Ø1/4" x 100 mm Hex-Head wood Screws (12pcs)
4  (Ø15)1/4" x 50 mm Hex-Head wood screw (12pcs)	5  Ø1/4" x 15 mm(9.5mm) Horizontal-Hole nut 8pcs	6  #4*30mm Wood Screw (54pcs)
7  Wheels Ø26 (4pcs)	8  Ø5/32" x 20mm Philip-Head bolt (3pcs)	9  Ø30 mm Wood Handle 3pcs
10  #3.5*15mm Wood Screws (8pcs)	11  (1/4")4.5*58mm Allen Key (1pc)	12  Ø8 x 30 mm Wood dowel 12pcs
	14  Wood block 2pcs	13  Ø5/16 x 60 mm Headless bolt 4pcs

ASSEMBLY TOOLS REQUIRED (NOT INCLUDED)





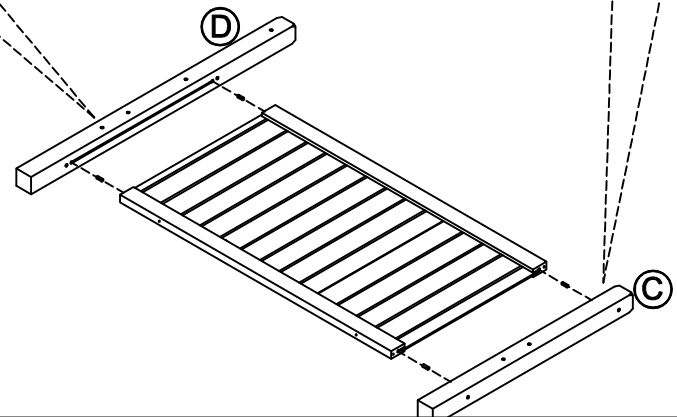
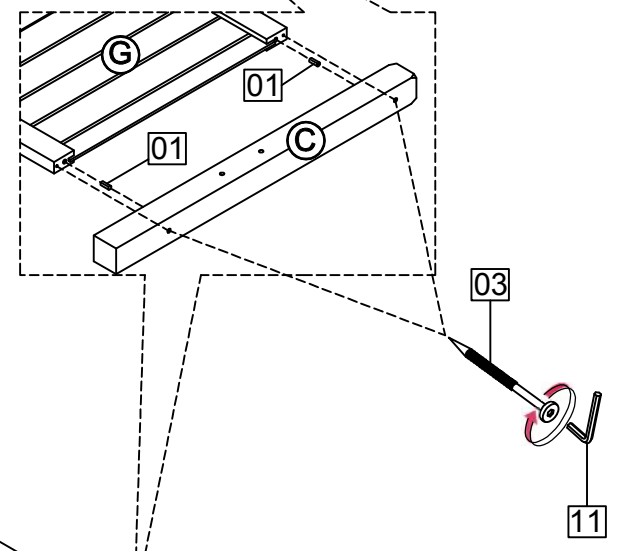
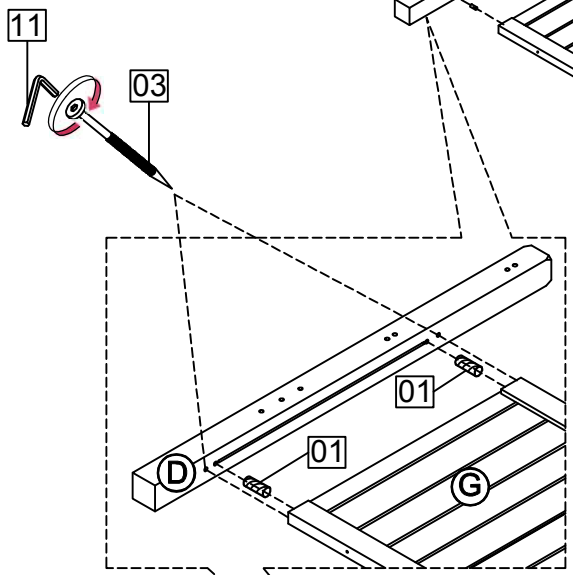
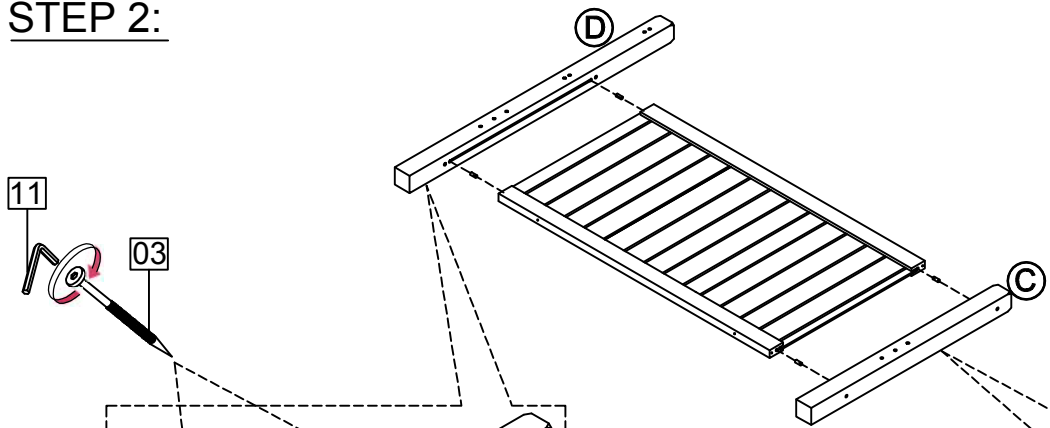
PLEASE BE CAREFUL DO NOT DAMAGE THE HOLE POSITION WHEN YOU USE POWER TOOLS !

STEP 1:



STEP 2:

01		03	
8PCS		8PCS	

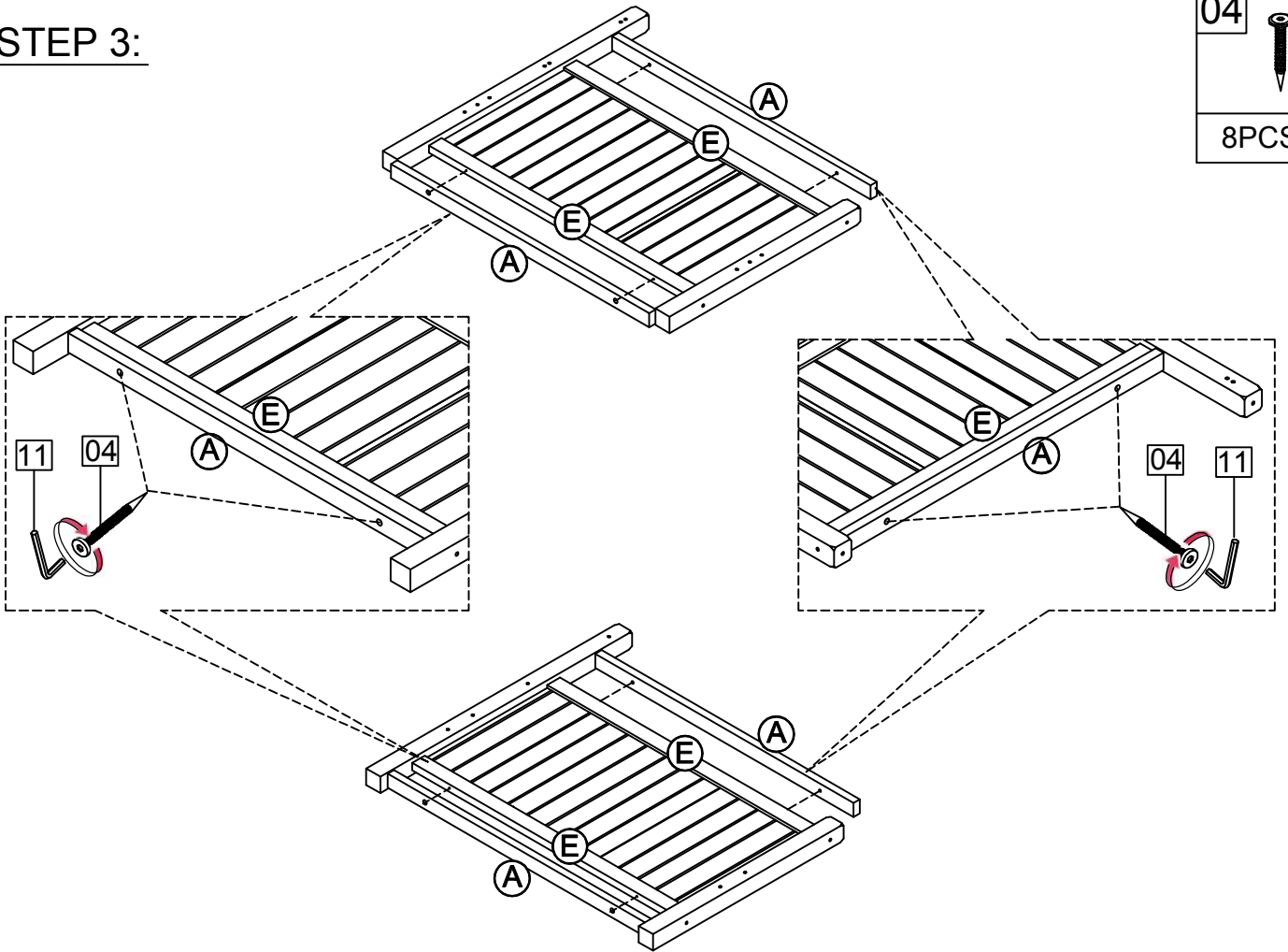


STEP 3:

04



8PCS

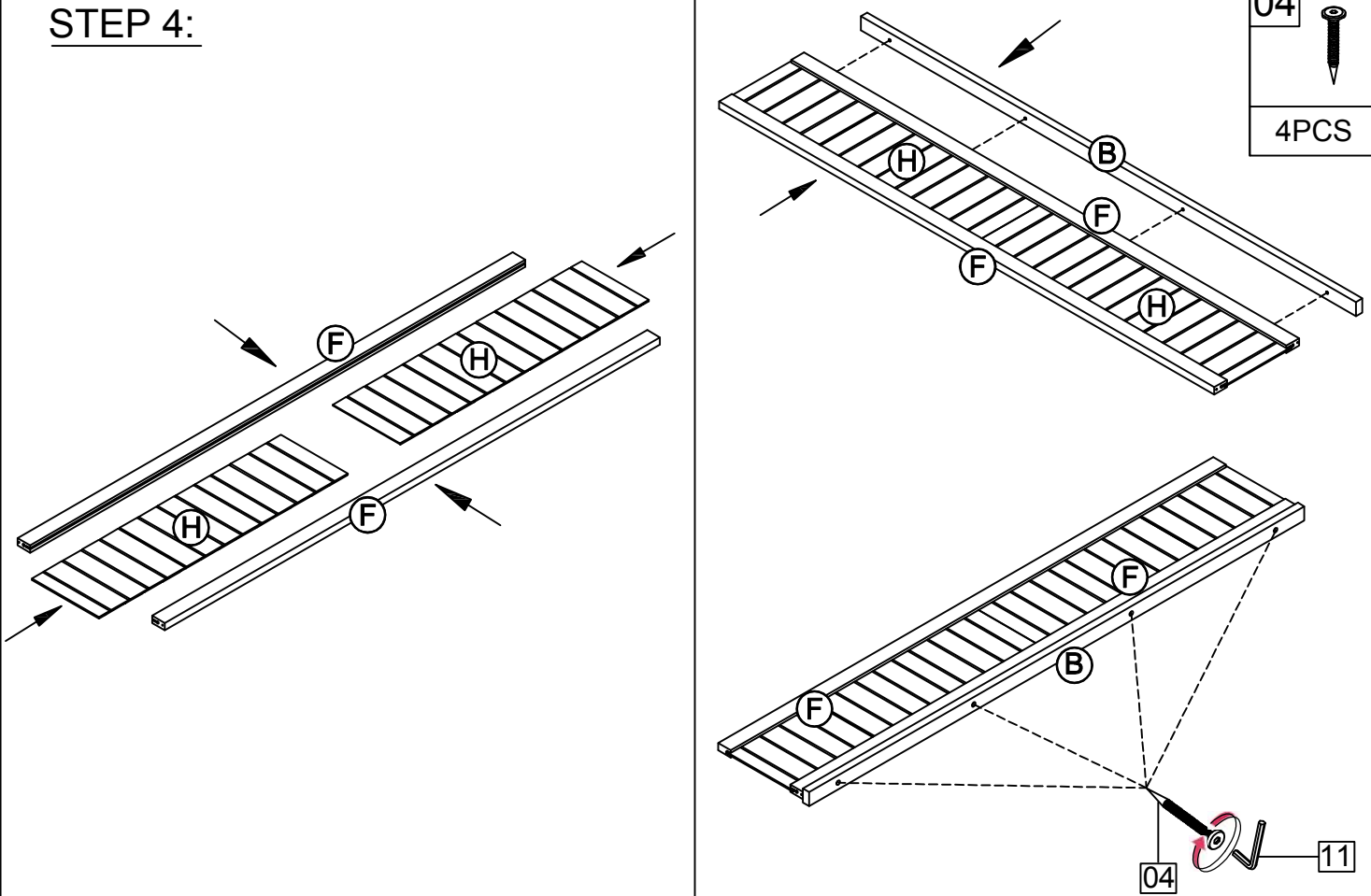


STEP 4:







04

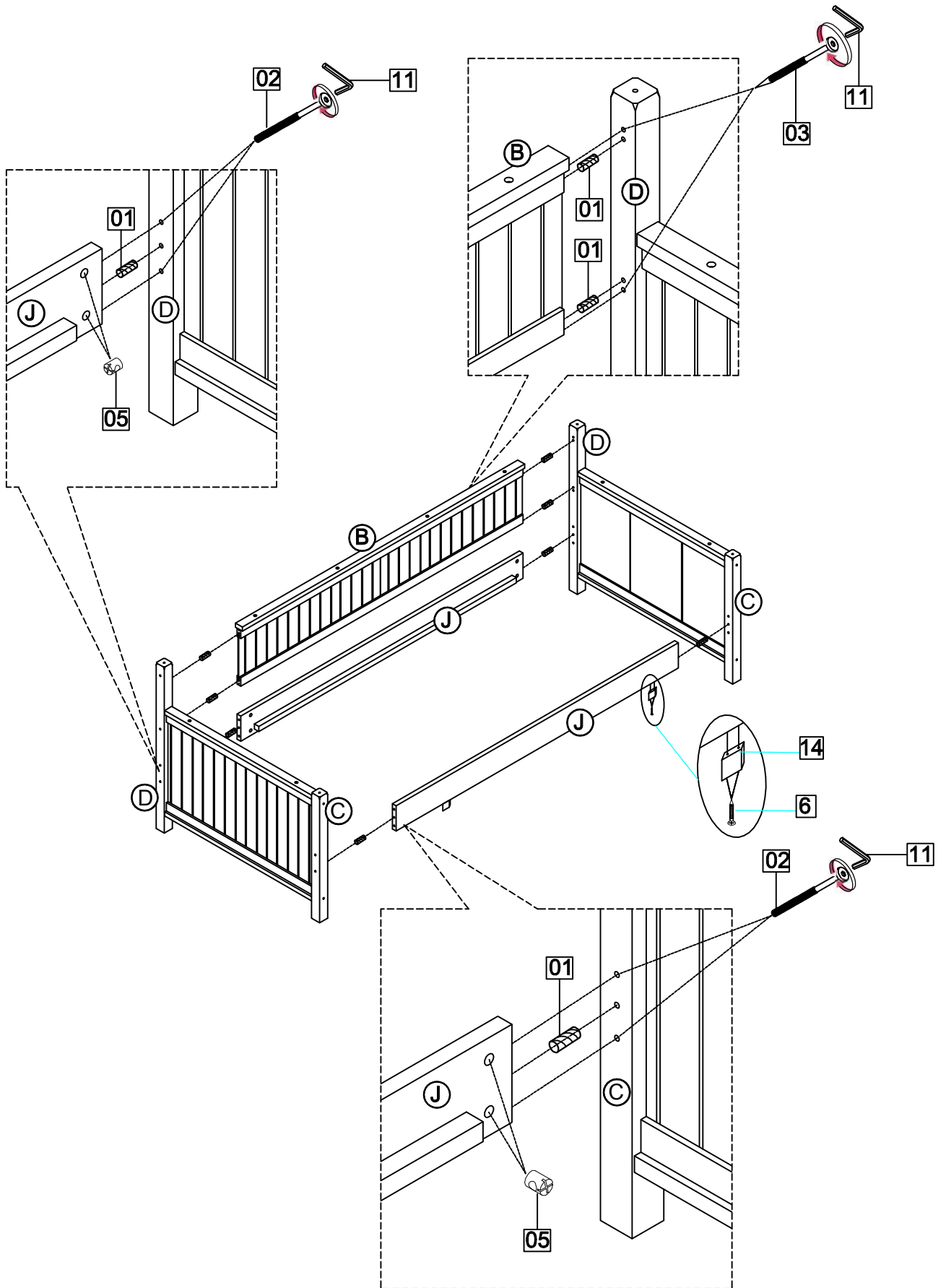


4PCS





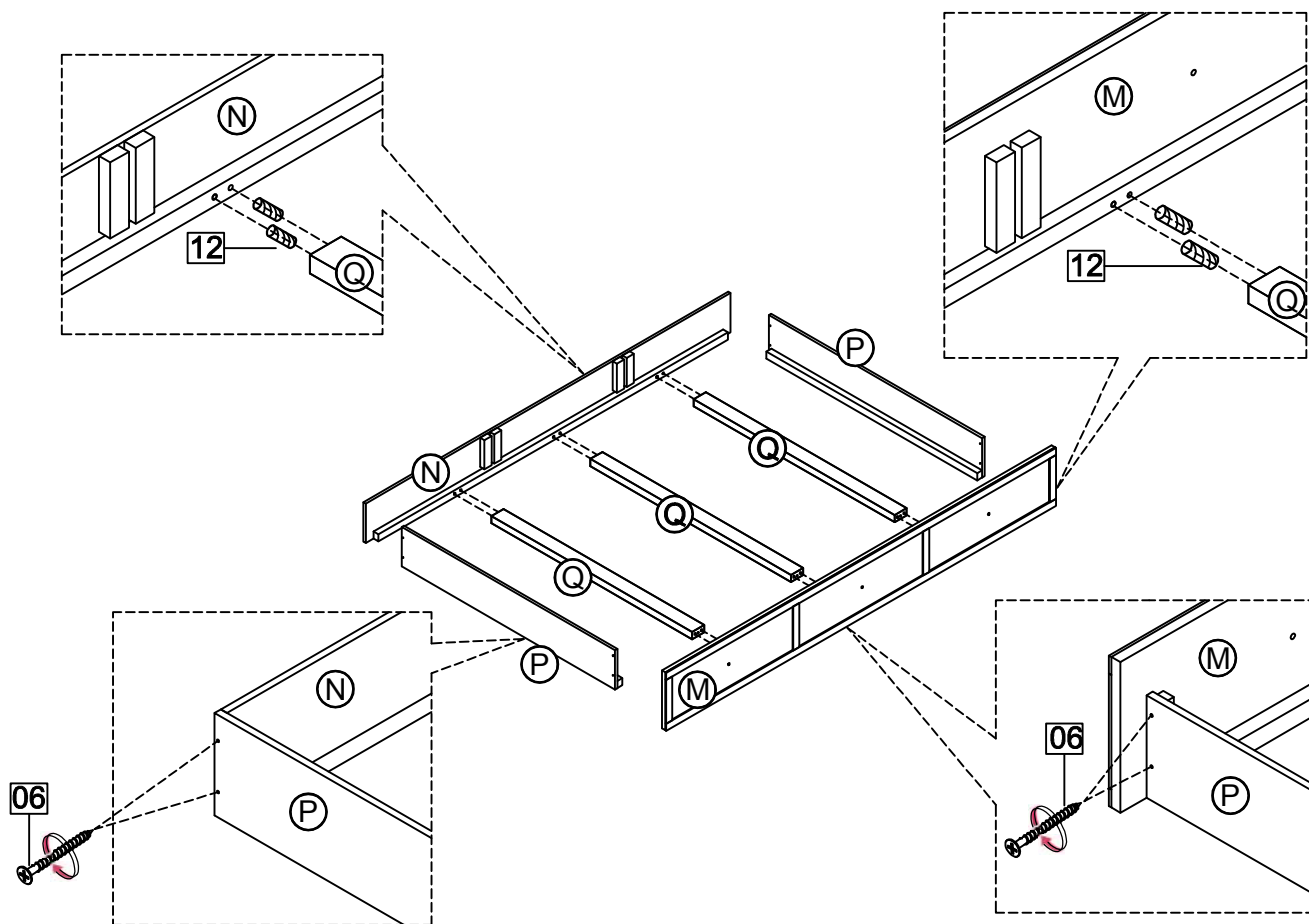
STEP 5:

14	06	05	01	02	03
					
2PCS	4PCS	8PCS	10PCS	8PCS	4PCS




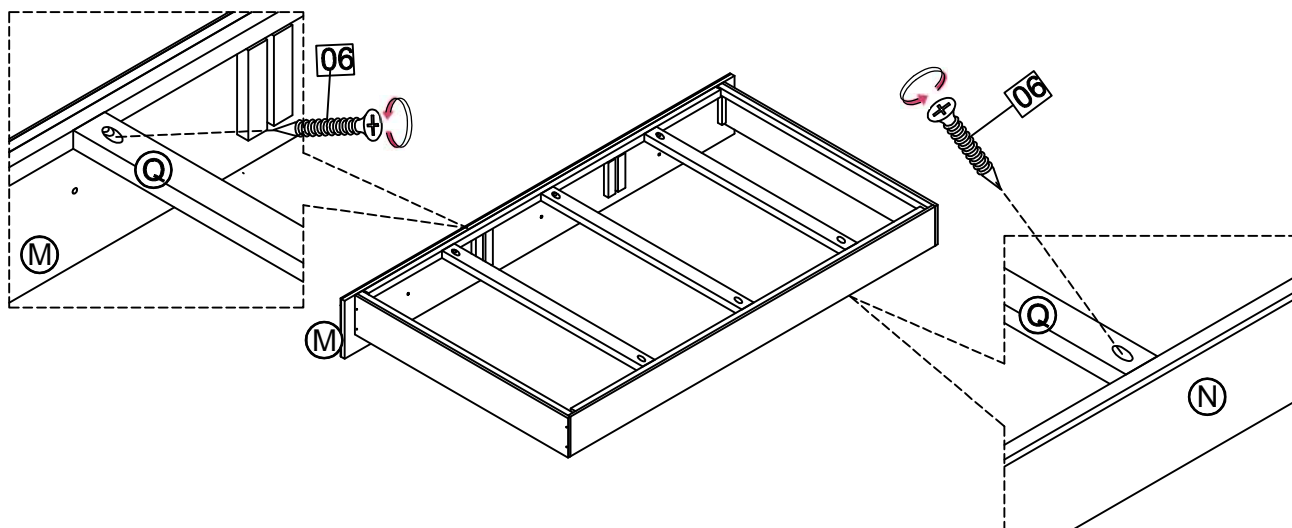
STEP 6:

12		06	
12PCS		8PCS	





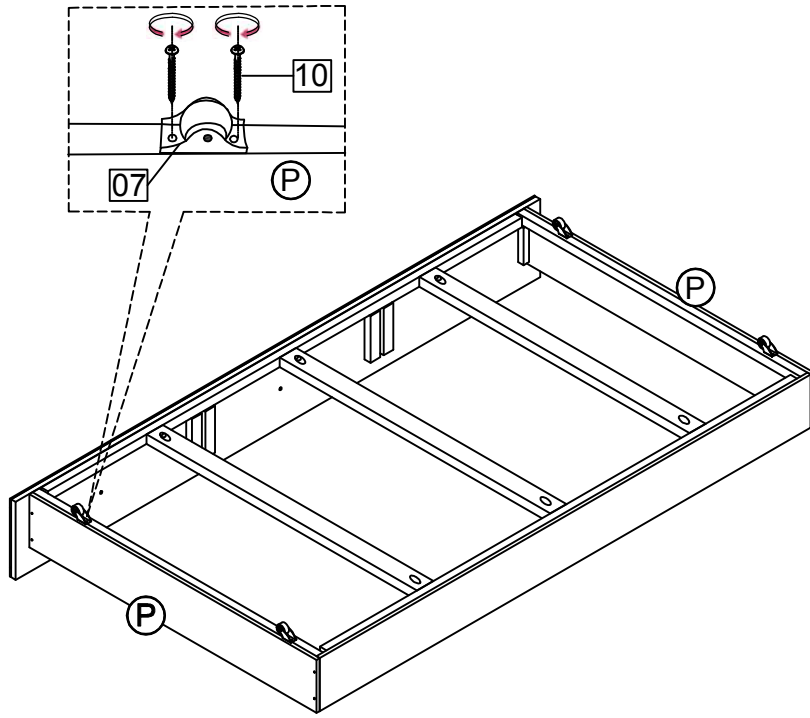
STEP 7:

06	
6PCS	

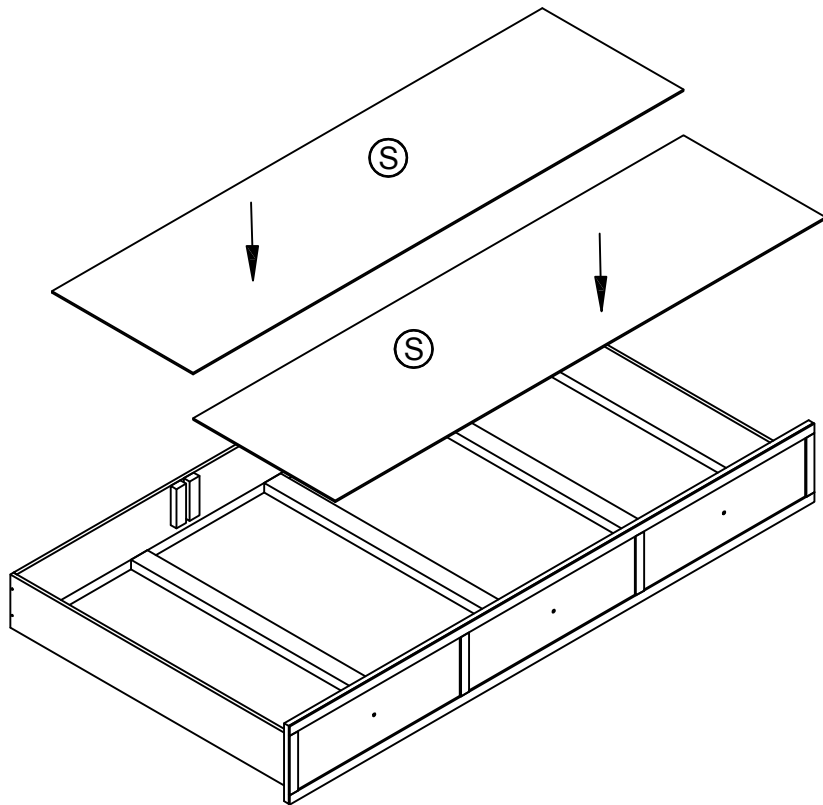


STEP 8:

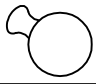

07	10
	
4PCS	8PCS

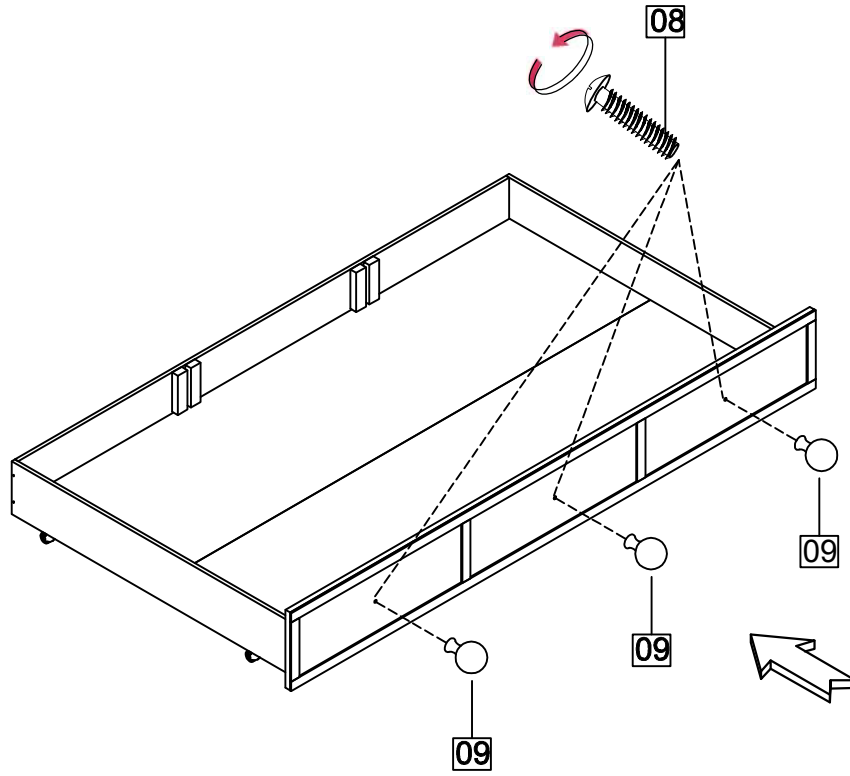


STEP 9:

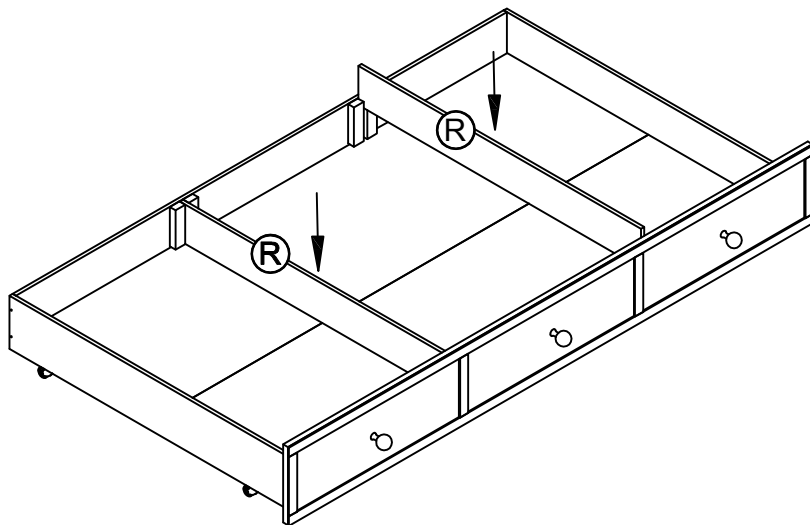


STEP 10:

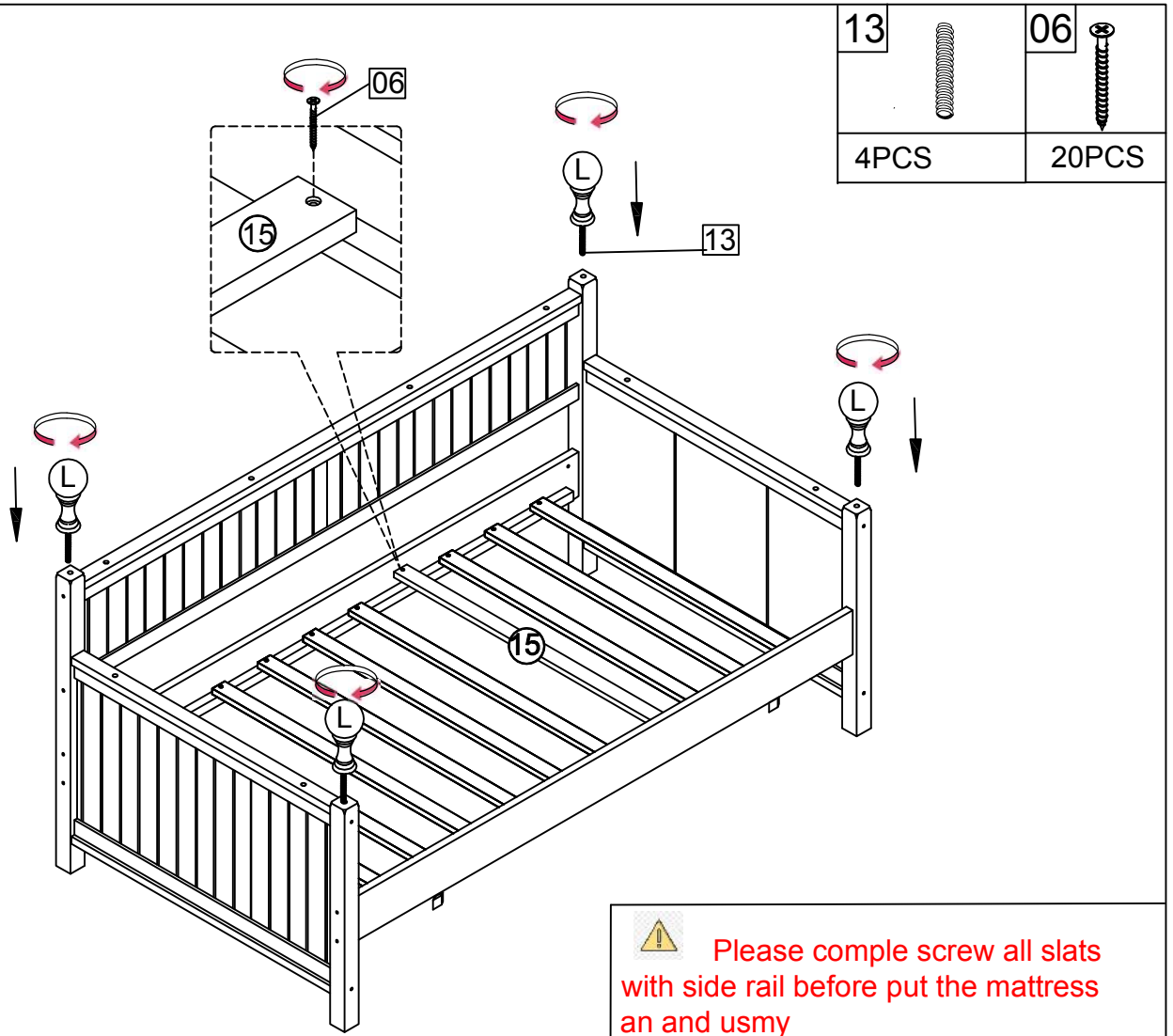
09	08
	
3PCS	3PCS



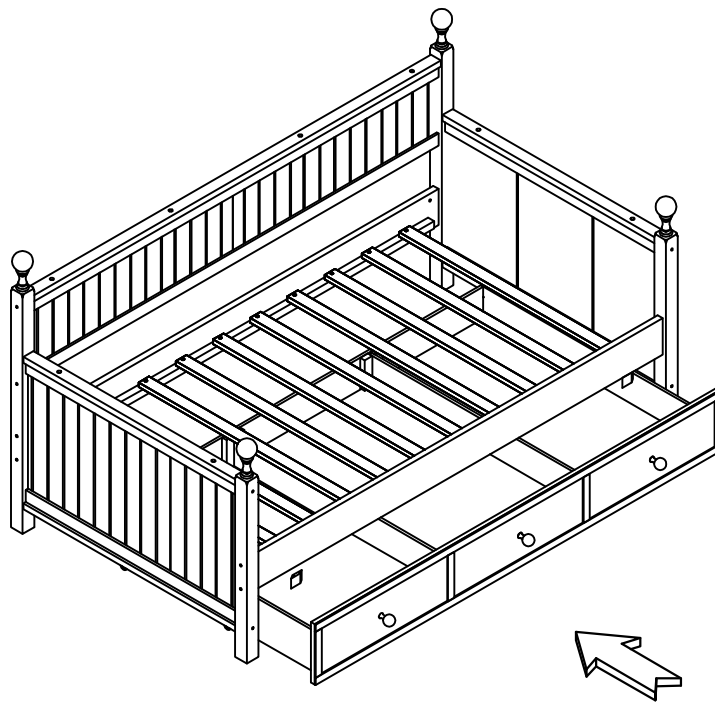
STEP 11:



STEP 12:



STEP 13:



Assembly Complete