

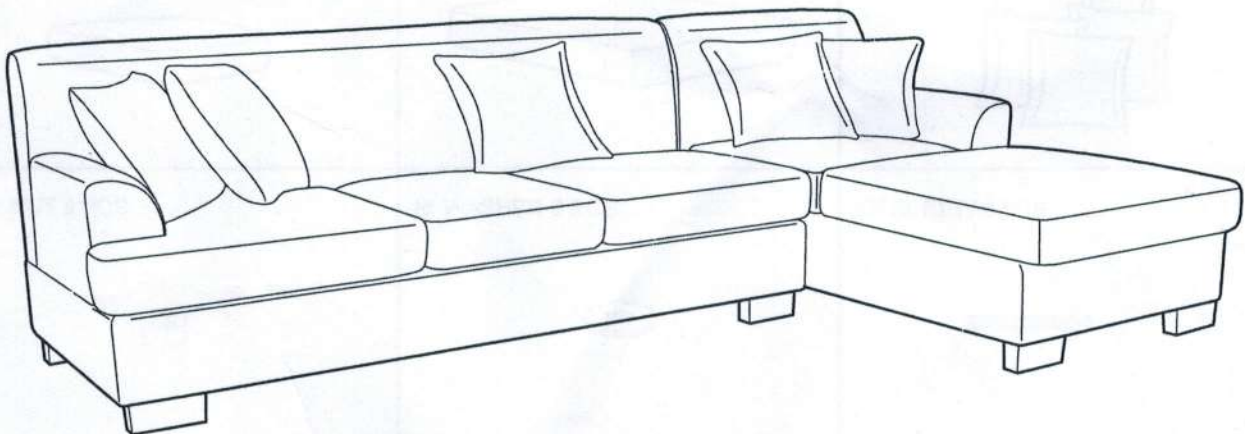
ASSEMBLY INSTRUCTION

IMPORTANT NOTE:



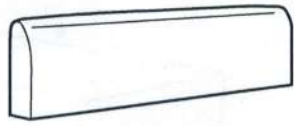
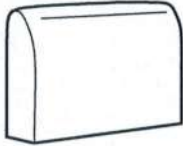
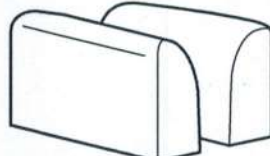



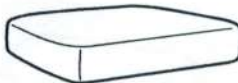

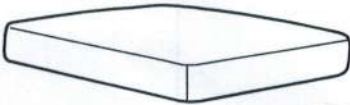
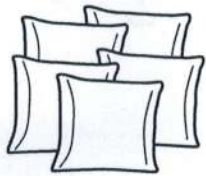






**** PLACE ALL PARTS ON A CLEAN AND SMOOTH SURFACE SUCH AS A RUG OR CARPET TO AVOID THE PARTS FROM BEING SCRATCHED.**

**** BEFORE YOU BEGIN , KINDY FOLLOW THE ASSEMBLY INSTRUCTIONS STEP BY STEP .**

**** DO NOT TIGHTEN ALL SCREWS UNTIL THE CORNER SOFA IS FULLY SET-UP.**

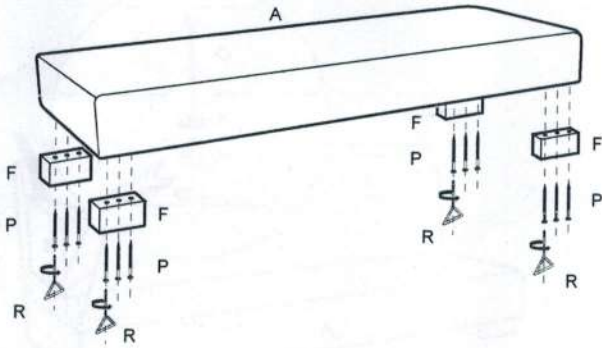


PARTS AND HARDWARE

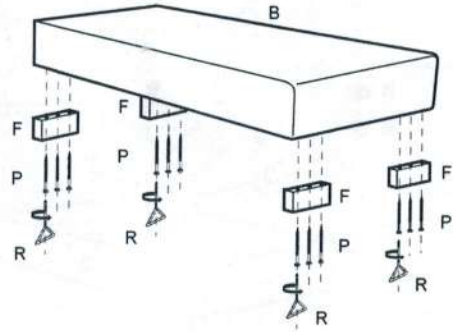
<p>A: LOVESEAT BODY DECK 1 PC</p> 	<p>B: CHAISE BODY DECK 1 PC</p> 	<p>C: LOVESEAT BACKREST 1 PC</p> 
<p>D: CHAISE BACKREST 1 PC</p> 	<p>E: ARMREST 2 PCS</p> 	<p>F: LEG 8 PCS</p> 
<p>G: CUSHION OF LOVESEAT 1 PC</p> 	<p>H: CUSHION OF LOVESEAT 1 PC</p> 	<p>I: CUSHION OF LOVESEAT 1 PC</p> 
<p>J: CUSHION OF CHAISE 1 PC</p> 	<p>K: CUSHION OF CHAISE 1 PC</p> 	<p>L: PILLOW 5 PCS</p> 
<p>M: NUT 9 PCS</p> 	<p>N: WASHER 9 PCS</p> 	<p>O: SCREW 9 PCS</p> 
<p>P: SCREW 70MM 24 PCS</p> 	<p>Q: SPANNER 1PC</p> 	<p>R: ALLEN KEY 1 PC</p> 

ASSEMBLY INSTRUCTIONS

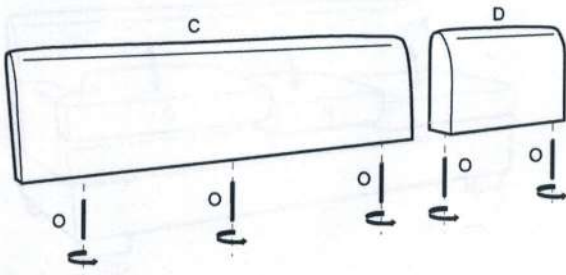
STEP 1: FIX LEG(F) TO THE LOVESEAT BODY(A).



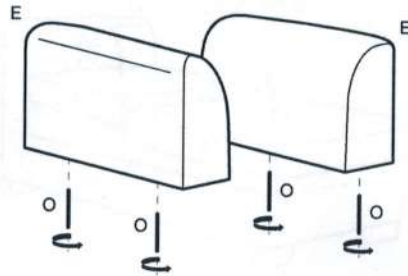
STEP 2: FIX LEG(F) TO THE CHAISE BODY(B).



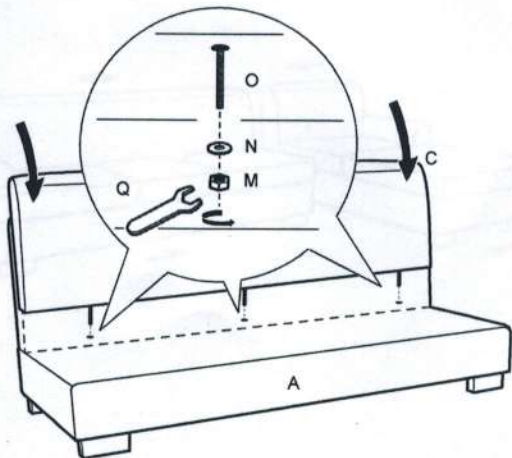
STEP 3: FIX SCREW(O) TO THE HOLE OF BACKREST(C & D).



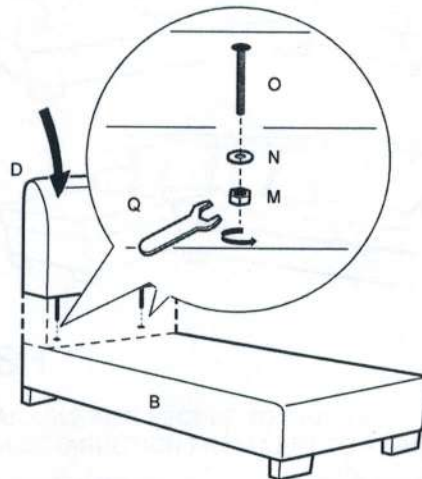
STEP 4: FIX SCREW(O) TO THE HOLE OF ARMREST(E).



STEP 5: FIX BACKREST(C) TO THE LOVESEAT BODY(A).

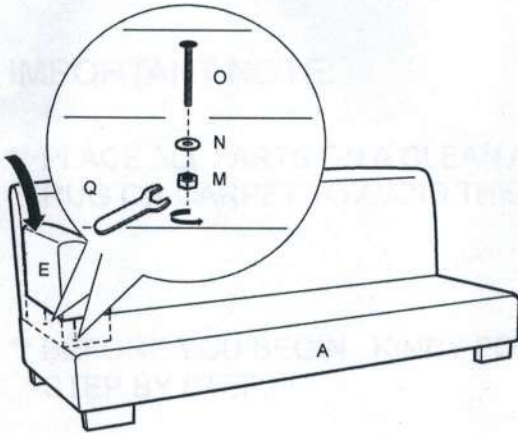


STEP 6: FIX BACKREST(D) TO THE CHAISE BODY(B).

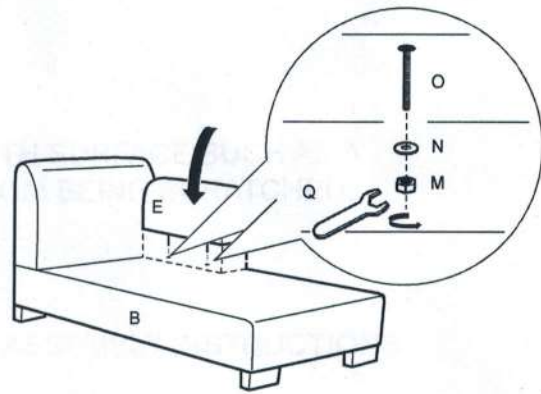


ASSEMBLY INSTRUCTIONS

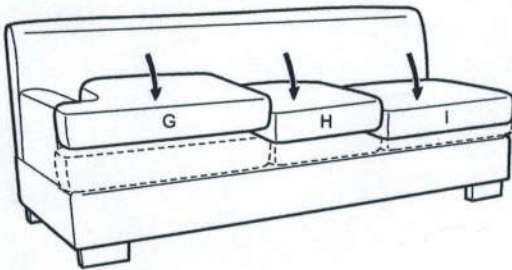
STEP 7: FIX ARMREST(E) TO SOFA BODY(A).



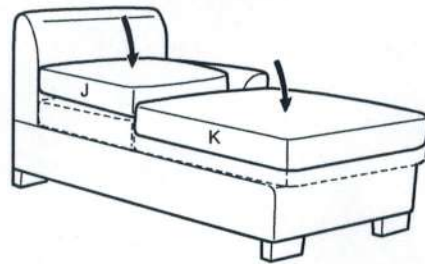
STEP 8: FIX ARMREST(E) TO CHAISE(B).



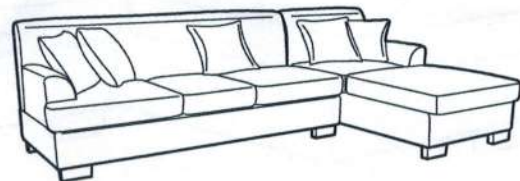
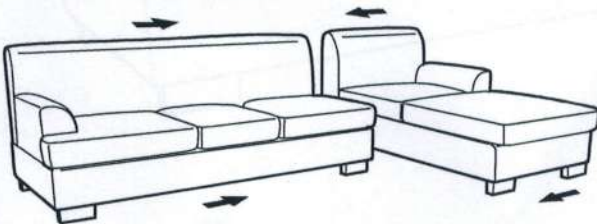
STEP 9: PUT CUSHION TO LOVESEAT IN ORDER.



STEP 10: PUT CUSHION TO LOVESEAT.



STEP 11: COMBINE CHAISE AND LOVESEAT TO MAKE A CORNER SOFA.



FINISH

IT IS AVAILABLE FOR PEOPLE TO CHANGE THE CHAISE DIRECTION FROM LEFT TO RIGHT