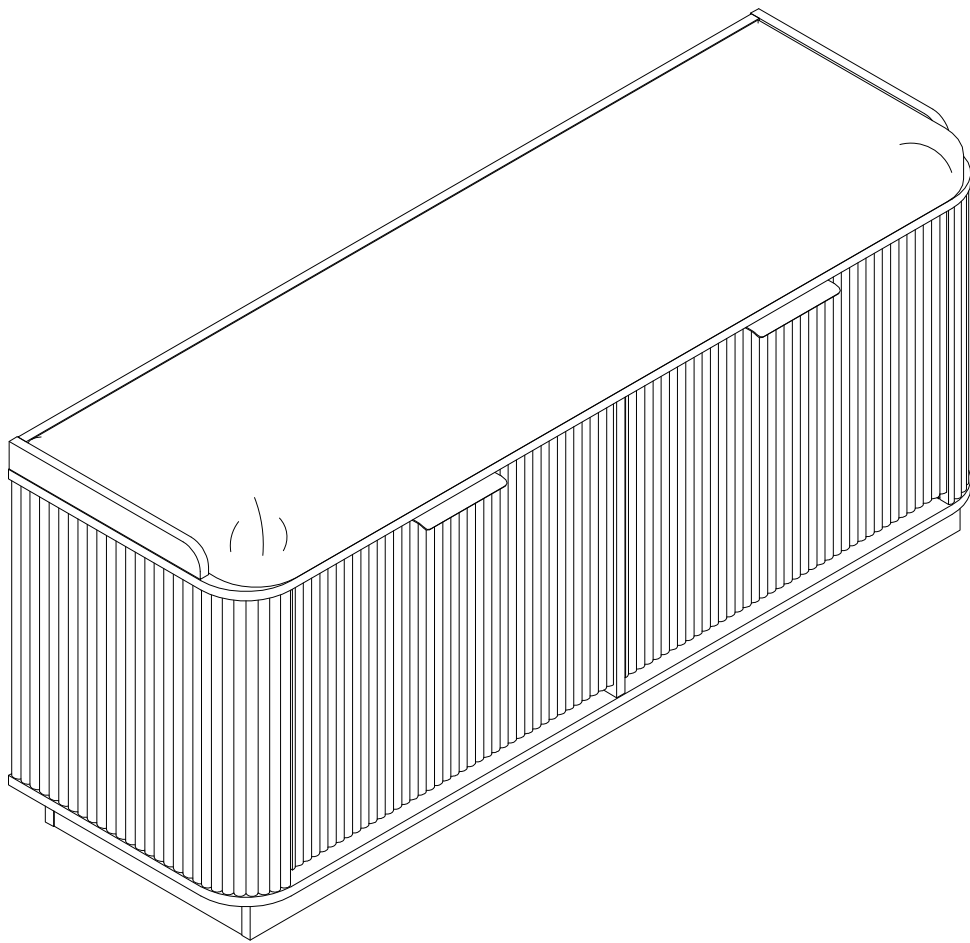


Assembly Instructions

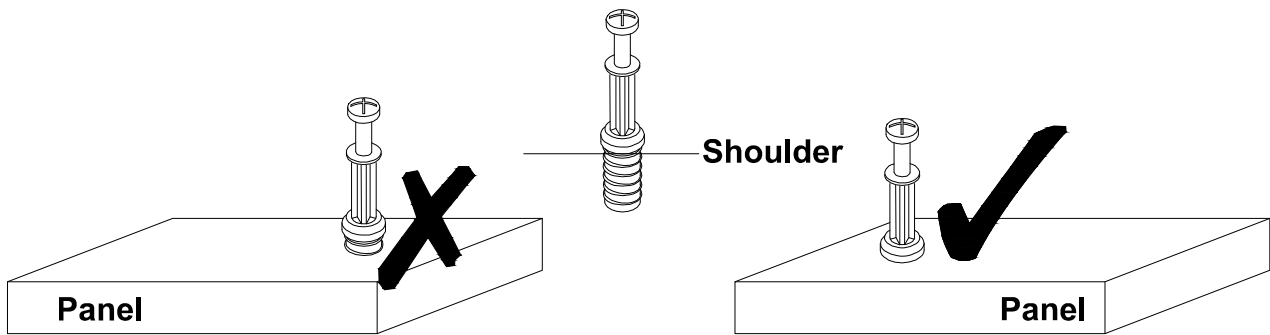


Before Assembly

Tips Before Your Start:

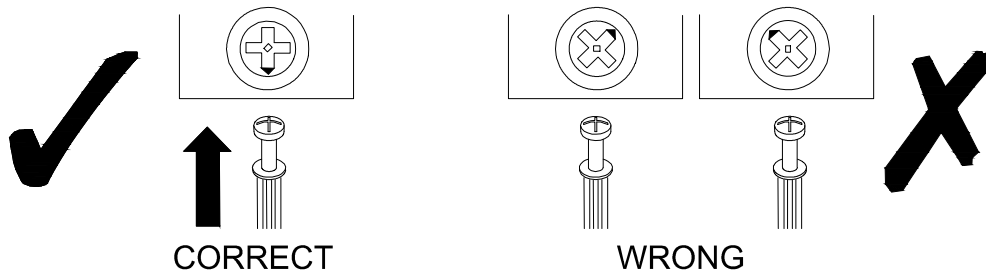
- Remove all wrapping material, including staples & packing straps before you start to assemble.
- DO NOT tighten all screws and bolts until the assembly is completely assembled.
- Keep all hardware parts out of reach of children.

QUICKFIT



Tighten quickfit until shoulder is flush with panel. Do not overtighten or undertighten.

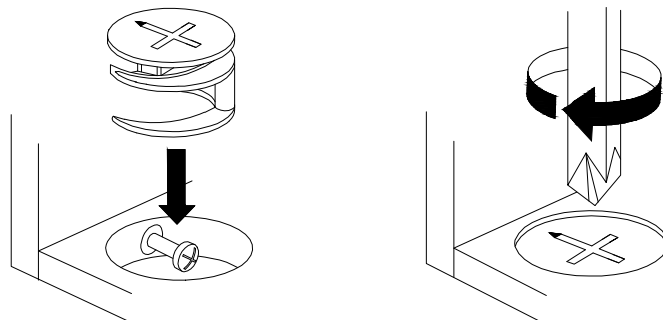
CAM LOCK



When fitting a cam lock, ensure the starting position is correct before inserting the connecting QUI CKFIT




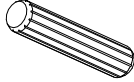
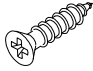

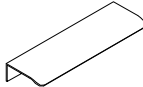
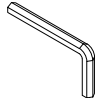

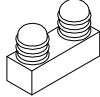
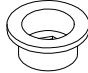

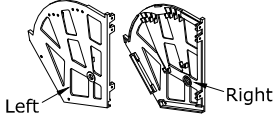
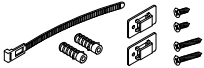
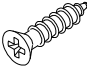
Quickfit head should be in the centre of the cam lock when the two panels are joined.

Cam lock should be inserted before quickfit.

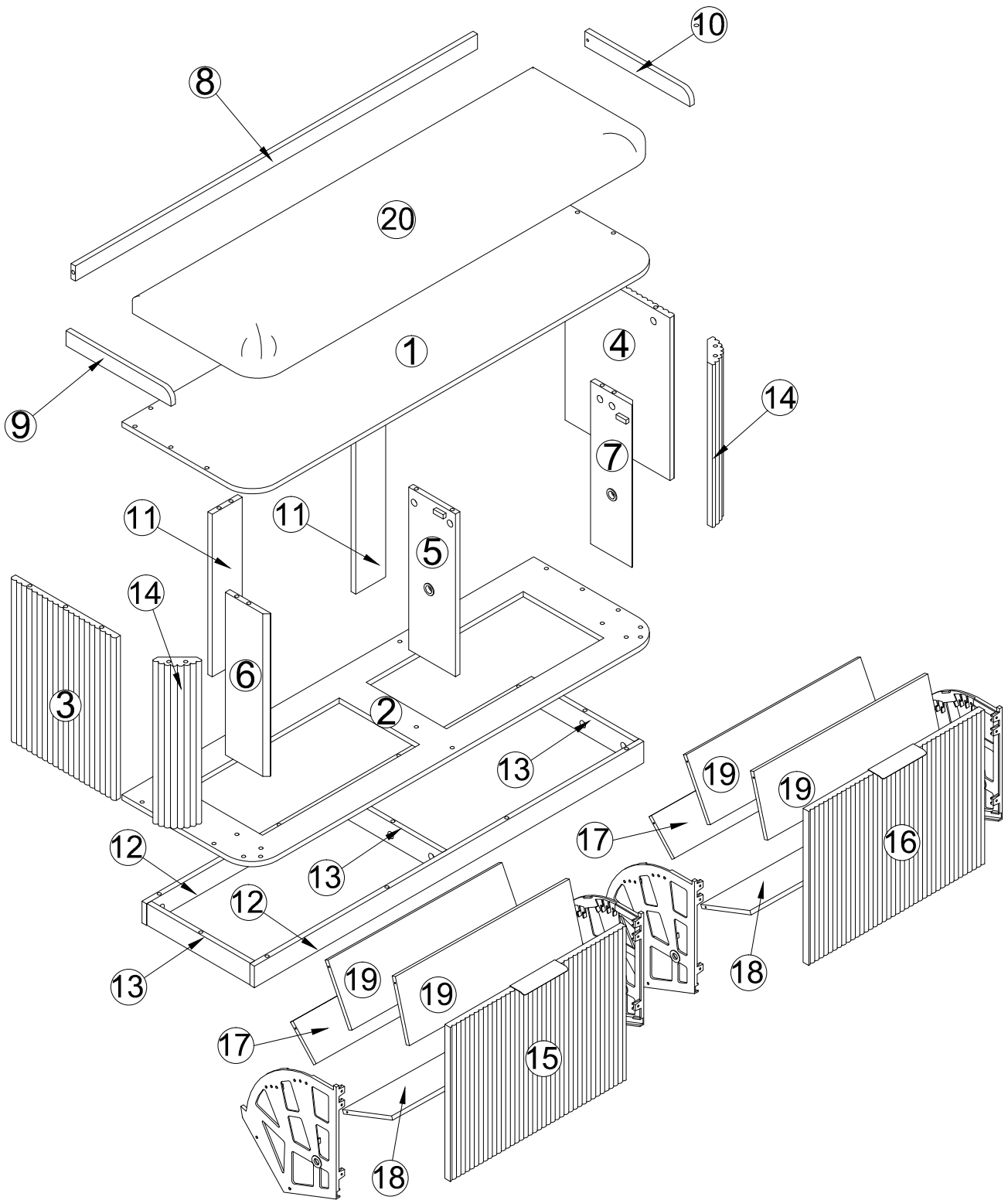


Turn cam lock clockwise to tighten.

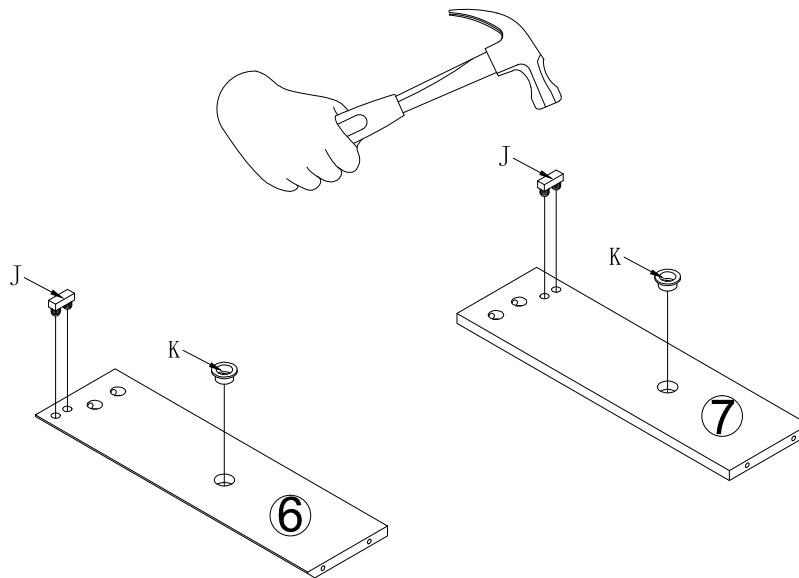
Part List

| | | | |
|---------------------------------------------------------------------------------------------------------------------------------------------------------|-------------------------------------------------------------------------------------------------------------------------------------------------------------------|-------------------------------------------------------------------------------------------------------------------------------------------------------------------|--------------------------------------------------------------------------------------------------------------------------------------------------------------------|
| <p>No. A Quantity:29 Pcs Cam Lock Dowel 8*28mm</p>  | <p>No. B Quantity:29 Pcs Cam φ15</p>  | <p>No. C Quantity:29 Pcs Sticker Ø20</p>  | <p>No. D Quantity:16 Pcs Dowel 8*30mm</p>  |
| <p>No. E Quantity:36 Pcs Screw 3.5*14mm</p>  | <p>No. F Quantity:25 Pcs Screw M6*40mm</p>  | <p>No. G Quantity:2 Pcs Handle</p>  | <p>No. H Quantity:1 Pcs Allen Key 4#</p>  |
| <p>No. I Quantity:6 Pcs Foot Pad Ø15*5</p>  | <p>No. J Quantity:4 Pcs Flip cover accessories 26*17*9</p>  | <p>No. K Quantity:4 Pcs Flip cover accessories Ø26*11</p>  | <p>No. L Quantity:4 Pcs Flip cover accessories Ø19*11</p>  |
| <p>No. M Quantity:2 Sets Flip cover accessories</p>  | <p>No. N Quantity:1 Sets Anti-falling Parts</p>  | <p>No. O Quantity:4 Pcs Screw 4*14mm</p>  | |

Product structure



STEP 1



Note: Please knock the accessory into the groove of the board.

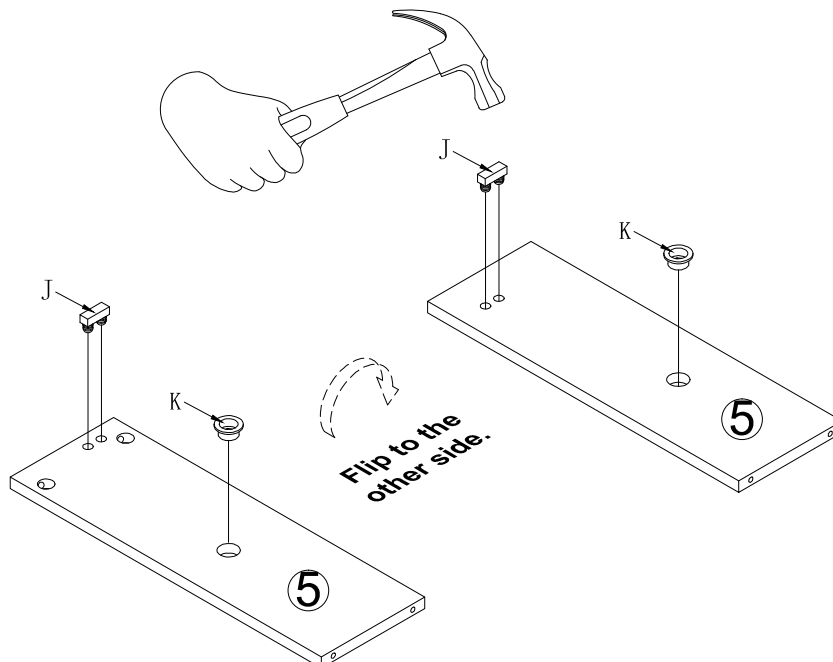
No. J
Quantity: 2 Pcs
26*17*9



No. K
Quantity: 2 Pcs
Ø26*11



STEP 2



Note: Please knock the accessory into the groove of the board.

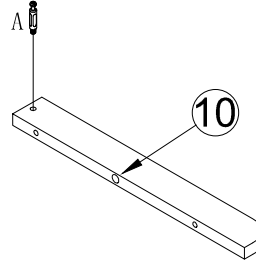
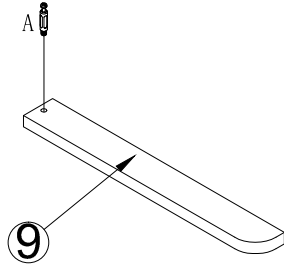
No. J
Quantity: 2 Pcs
26*17*9



No. K
Quantity: 2 Pcs
Ø26*11



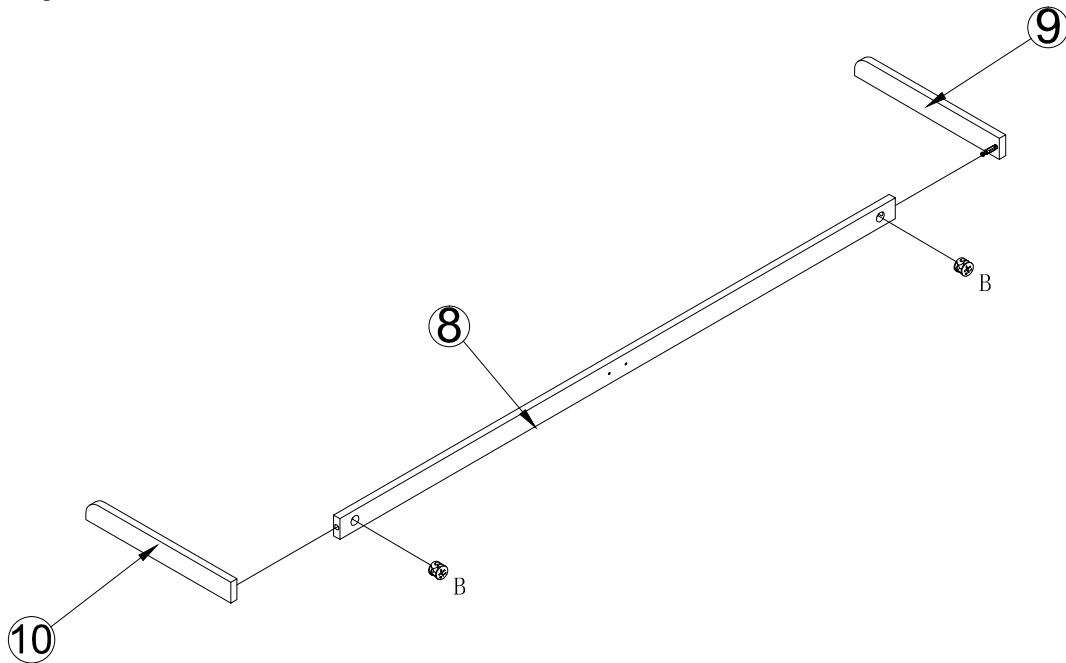
STEP 3



No. A
Quantity: 2 Pcs
8*28 mm



STEP 4

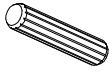


No. B
Quantity: 2 Pcs
Ø15



STEP 5

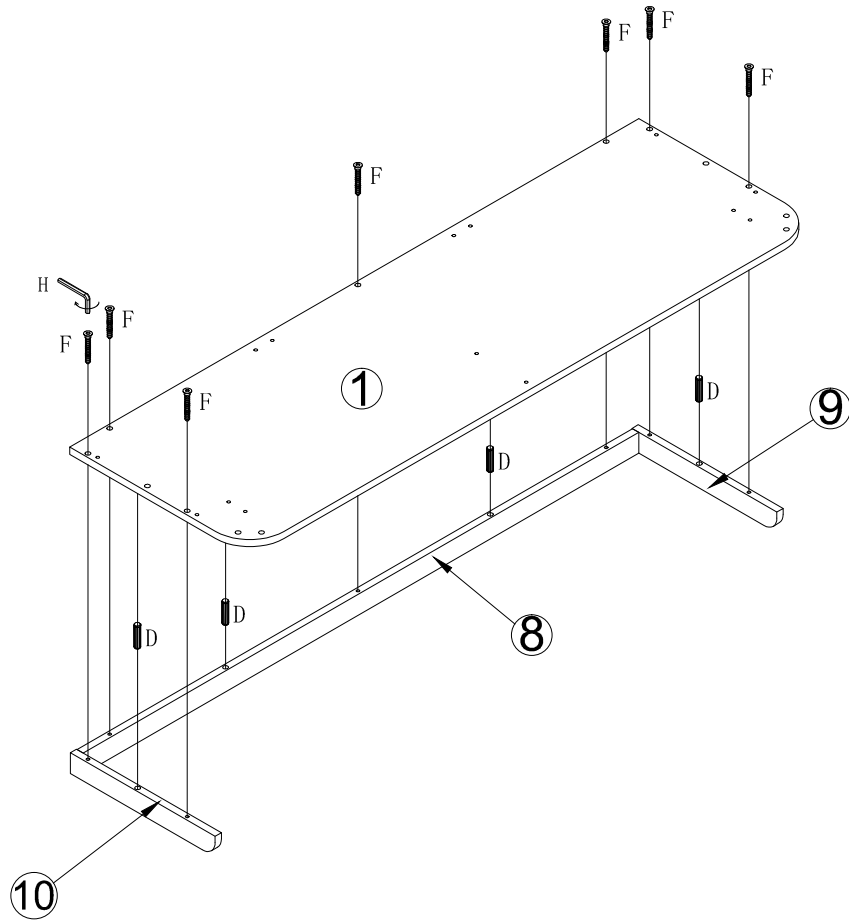
No. D
Quantity: 4 Pcs
8*30mm



No. F
Quantity: 7 Pcs
M6*40mm

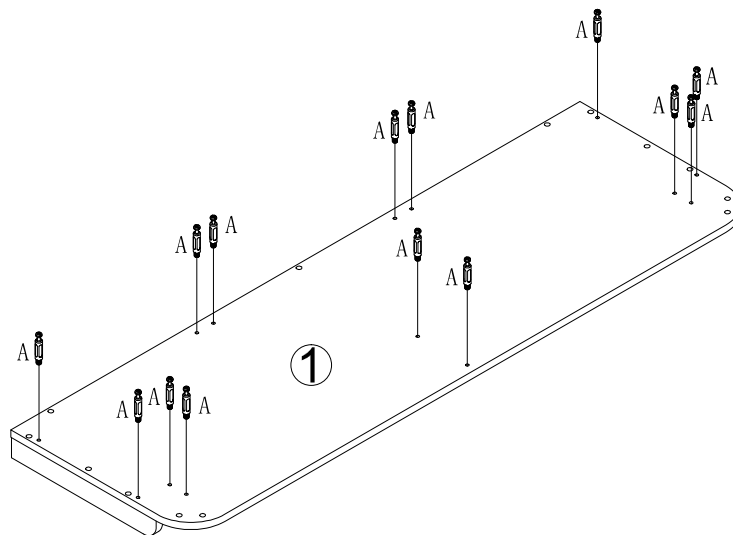


No. H
Quantity: 1 Pcs
4#

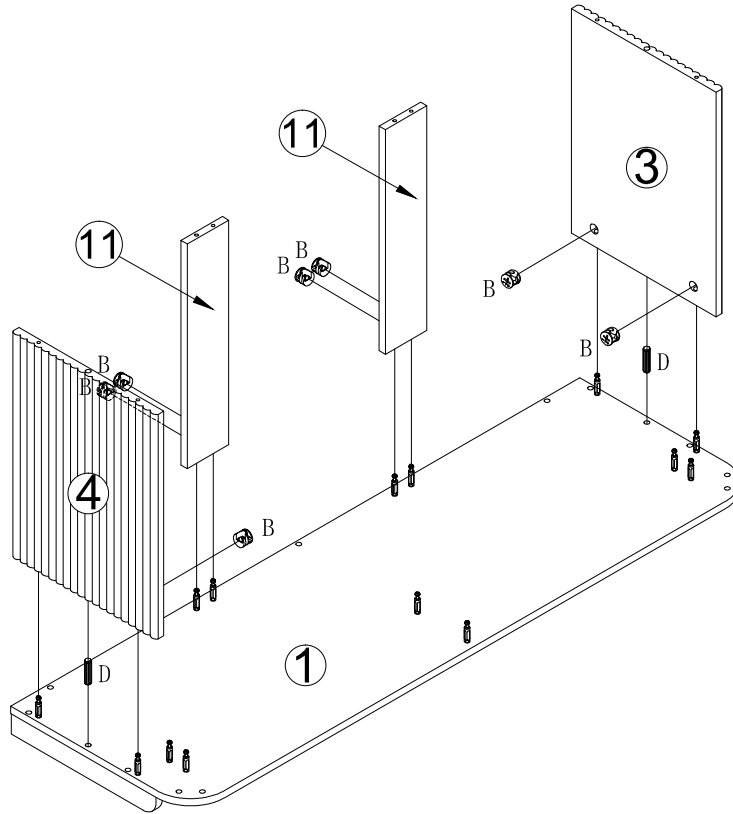


STEP 6

No. A
Quantity: 14 Pcs
8*28 mm



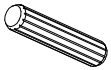
STEP 7



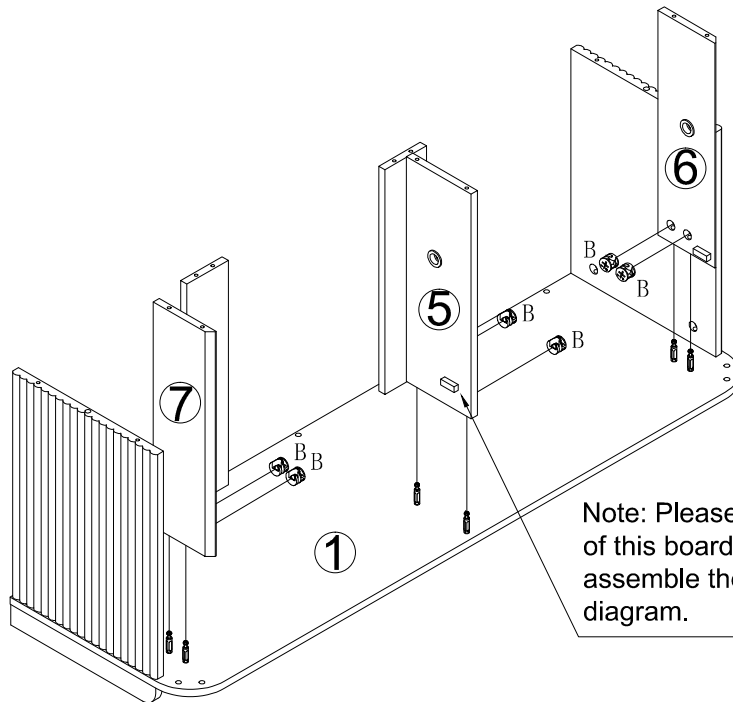
No. B
Quantity: 8 Pcs
Ø15



No. D
Quantity: 2 Pcs
8*30mm



STEP 8

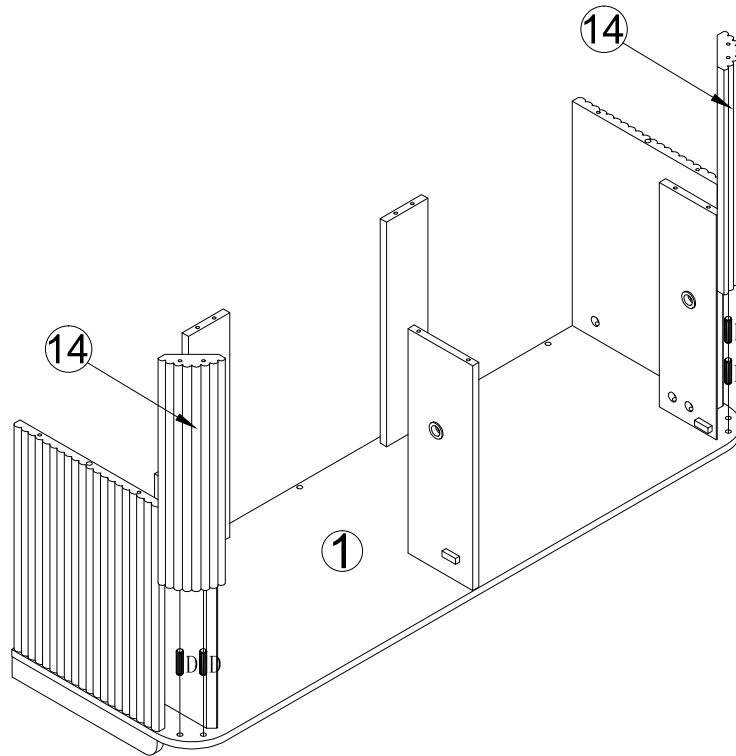


Note: Please pay attention to the direction of this board during installation, and assemble the hardware according to the diagram.

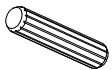
No. B
Quantity: 6 Pcs
Ø15



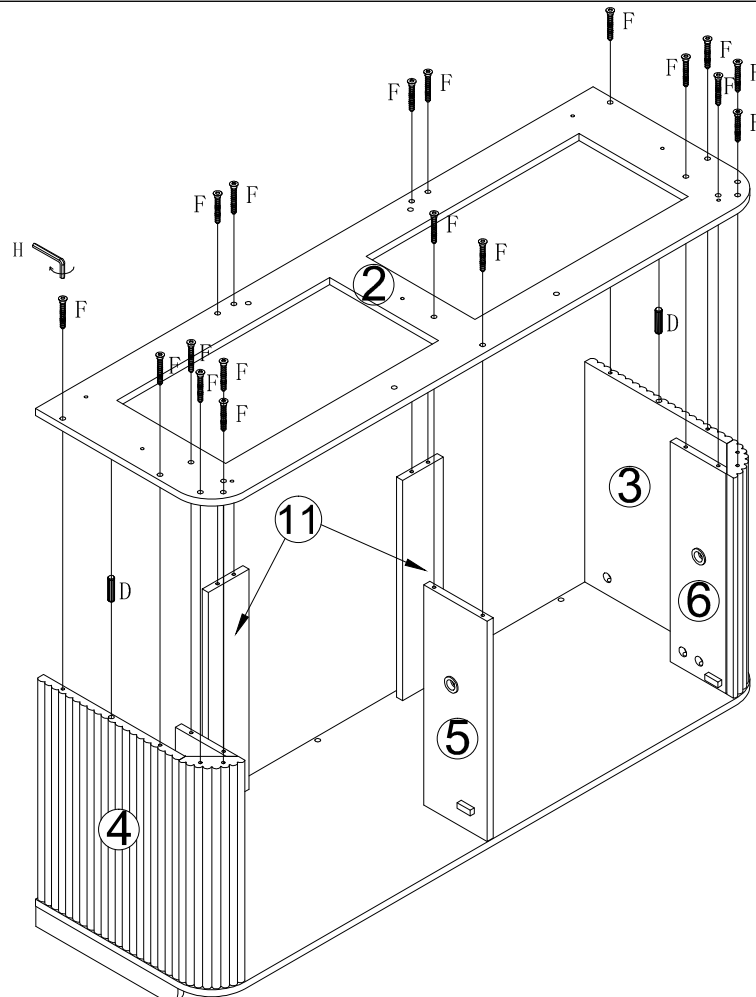
STEP 9



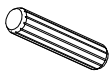
No. D
Quantity: 4 Pcs
8*30mm



STEP 10



No. D
Quantity: 2 Pcs
8*30mm



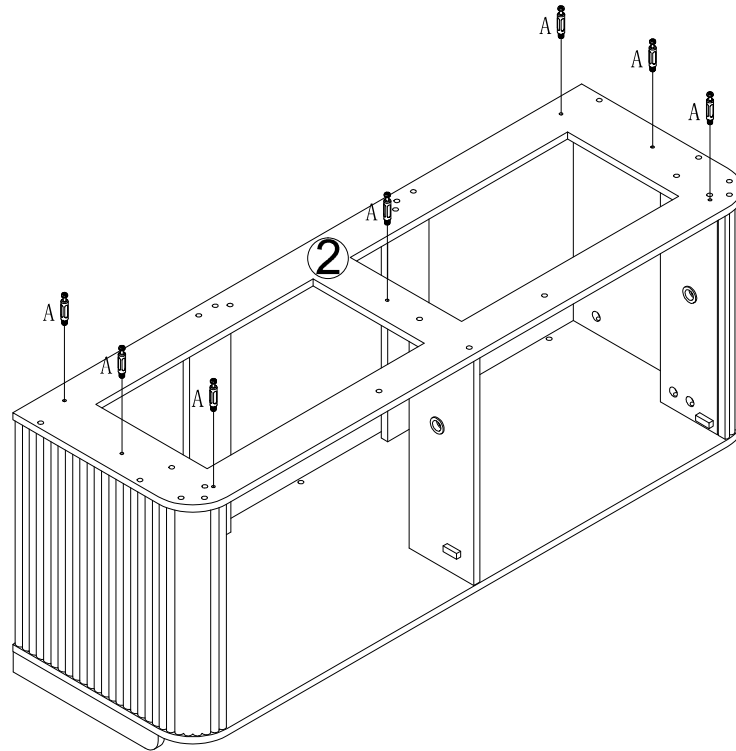
No. F
Quantity: 18 Pcs
M6*40mm



No. H
Quantity: 1 Pcs
4#



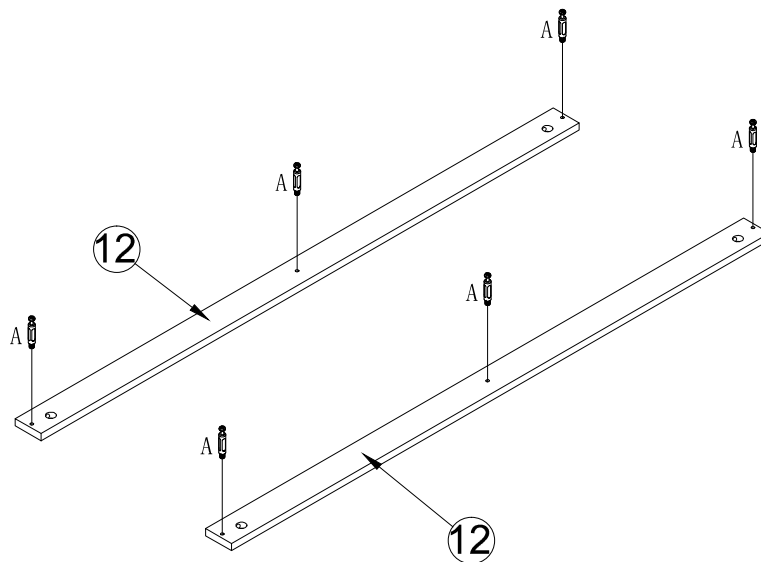
STEP 11



No. A
Quantity: 7 Pcs
8*28 mm



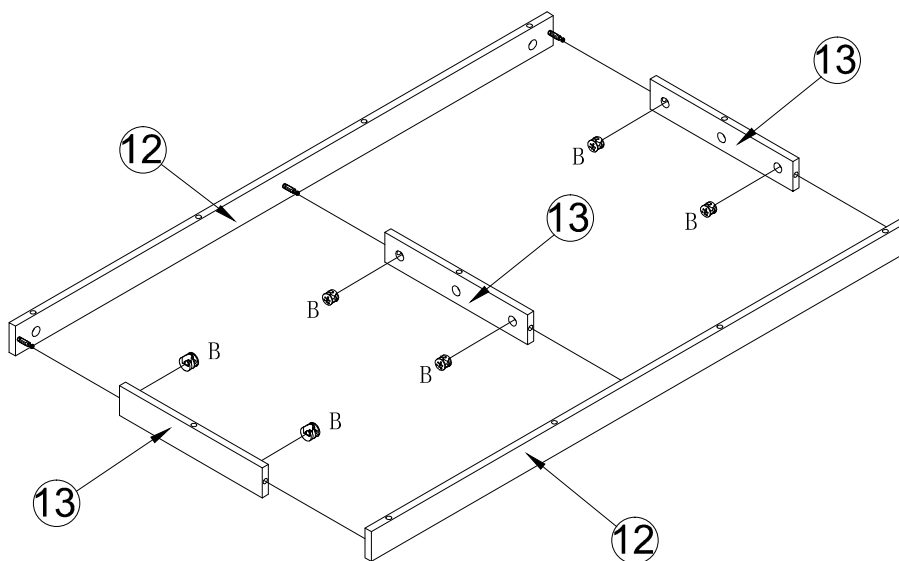
STEP 12



No. A
Quantity: 6 Pcs
8*28 mm



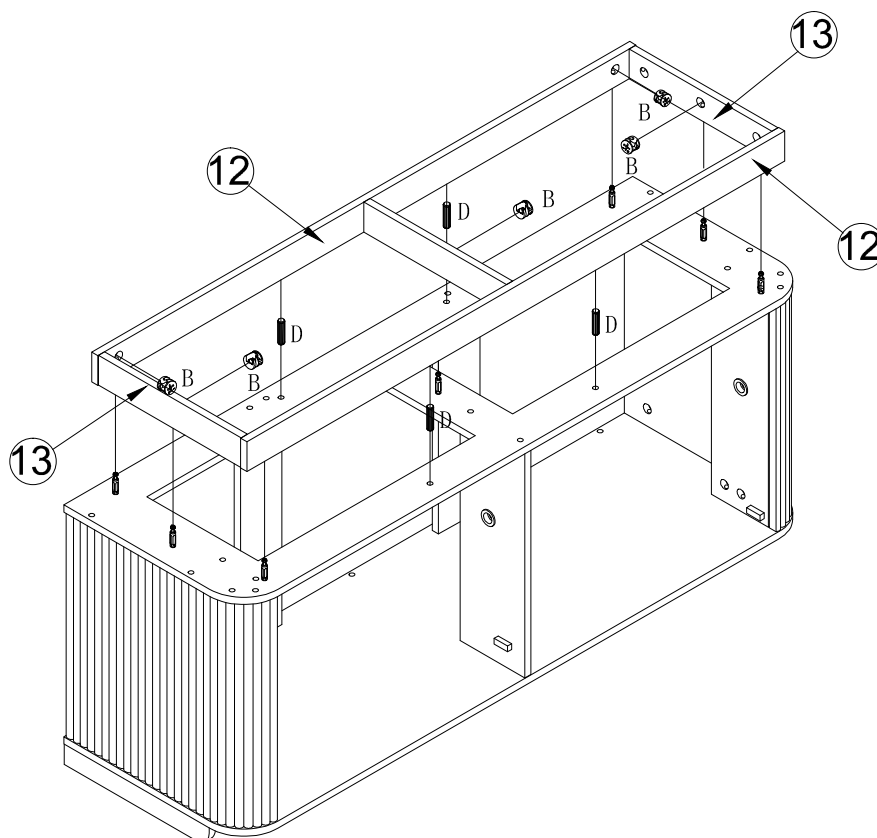
STEP 13



No. B
Quantity: 6 Pcs
Ø15



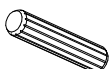
STEP 14



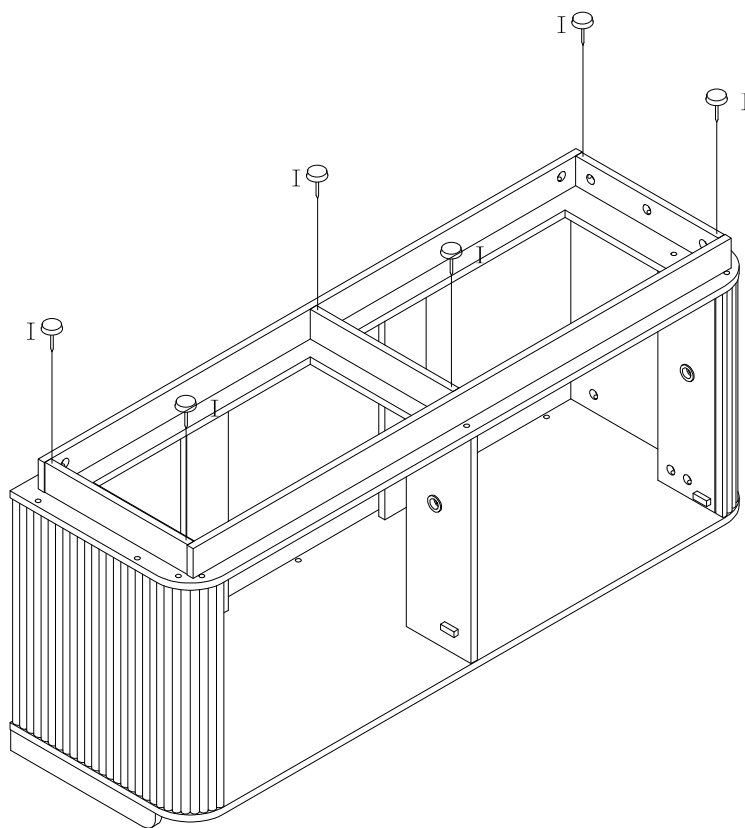
No. B
Quantity: 7 Pcs
Ø15



No. D
Quantity: 4 Pcs
8*30mm



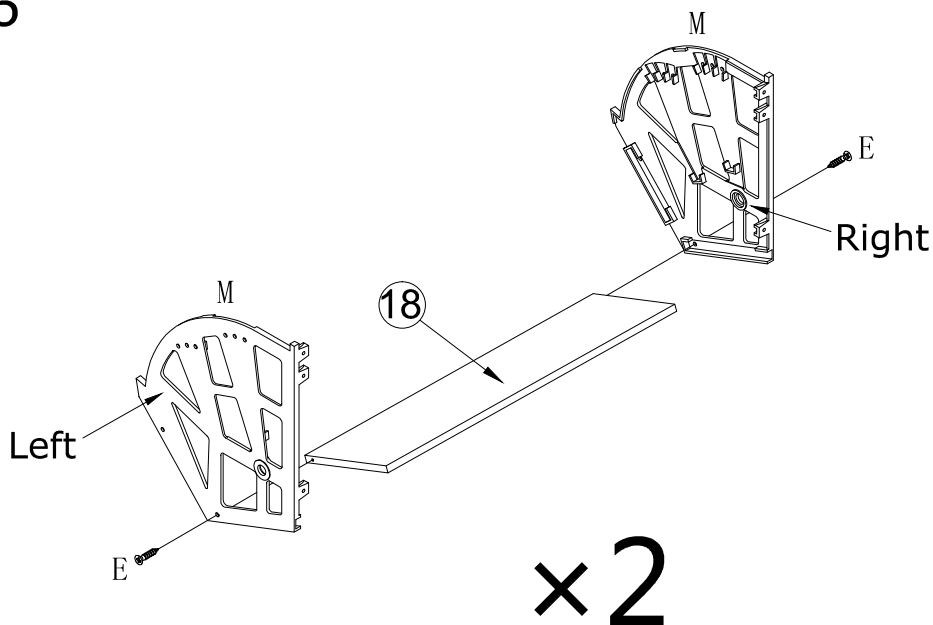
STEP 15



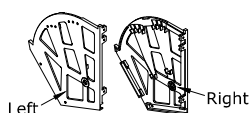
No. I
Quantity: 6 Pcs
Ø15*5



STEP 16



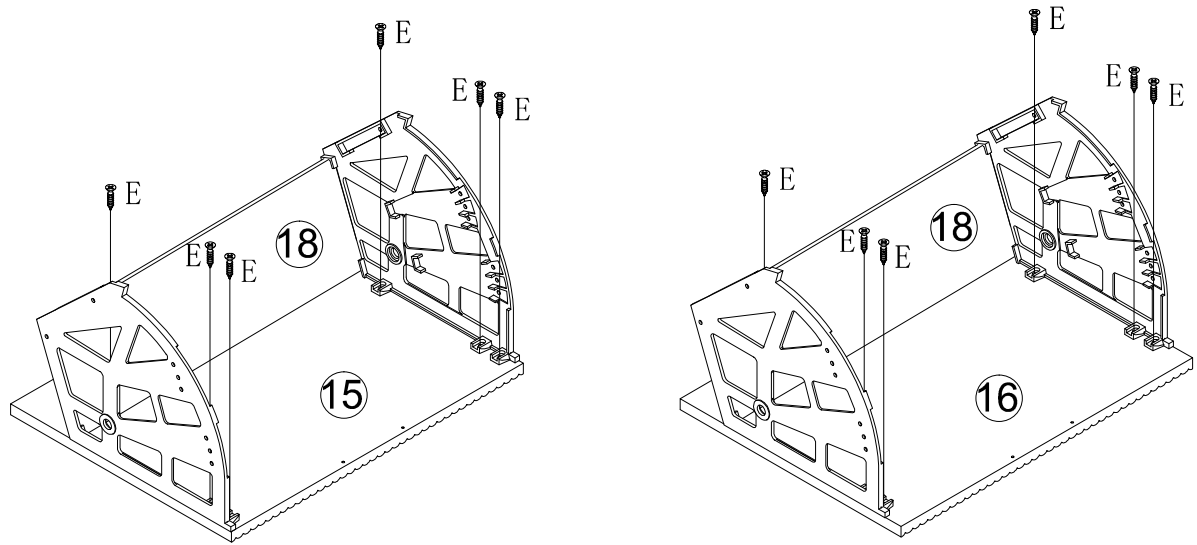
No. M
Quantity: 2 Sets



No. E
Quantity: 4 Pcs
M3.5*14mm



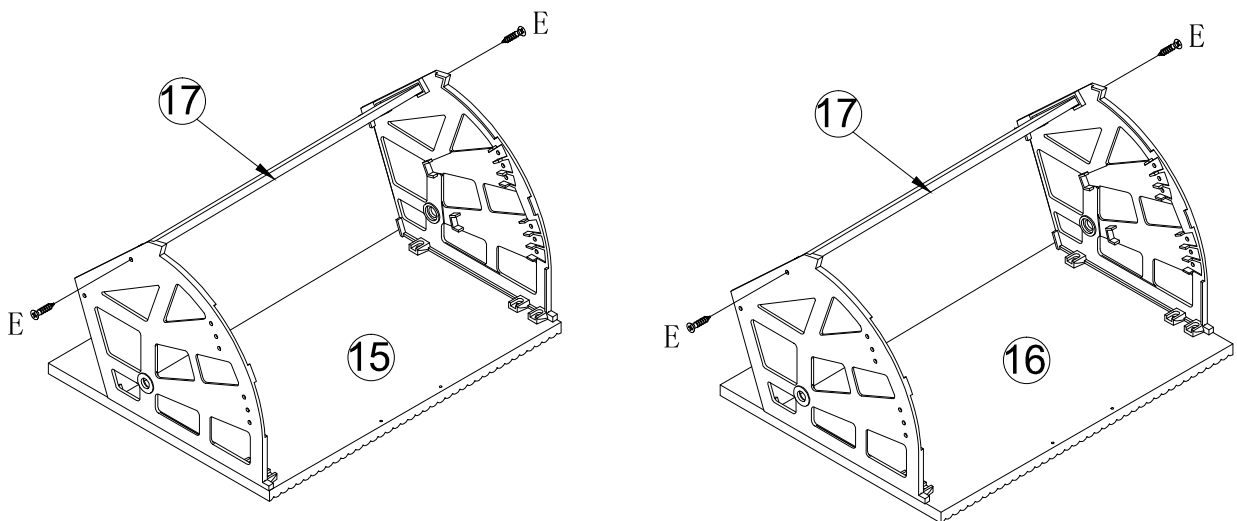
STEP 17



No. E
Quantity: 12 Pcs
M3.5*14mm



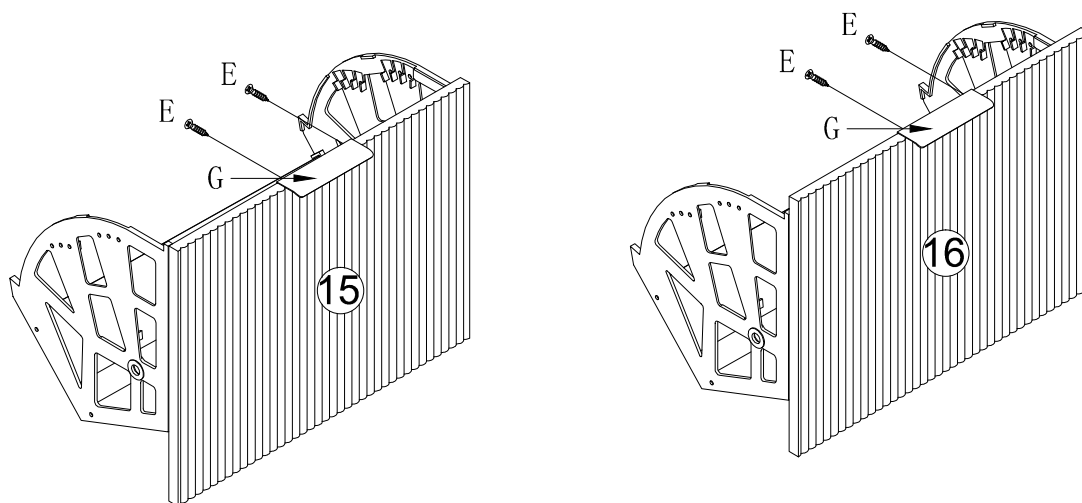
STEP 18



No. E
Quantity: 4 Pcs
M3.5*14mm



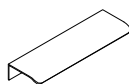
STEP 19



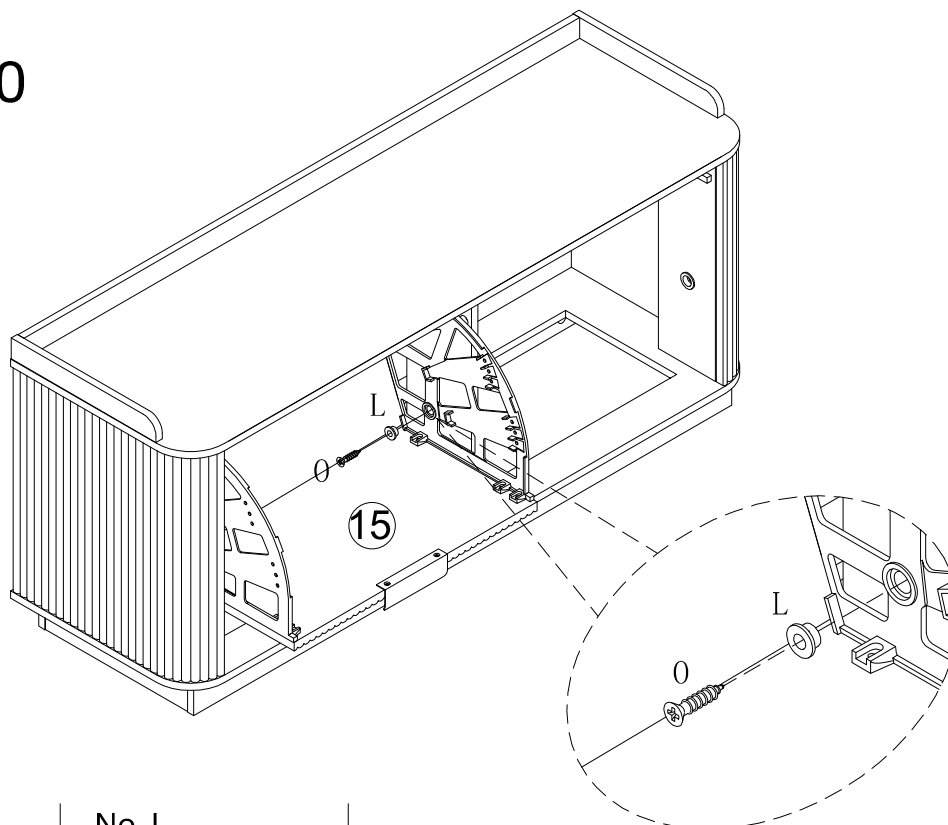
No. E
Quantity: 4 Pcs
3.5*14mm



No. G
Quantity: 2 Pcs



STEP 20



No. O
Quantity: 2 Pcs
4*14mm

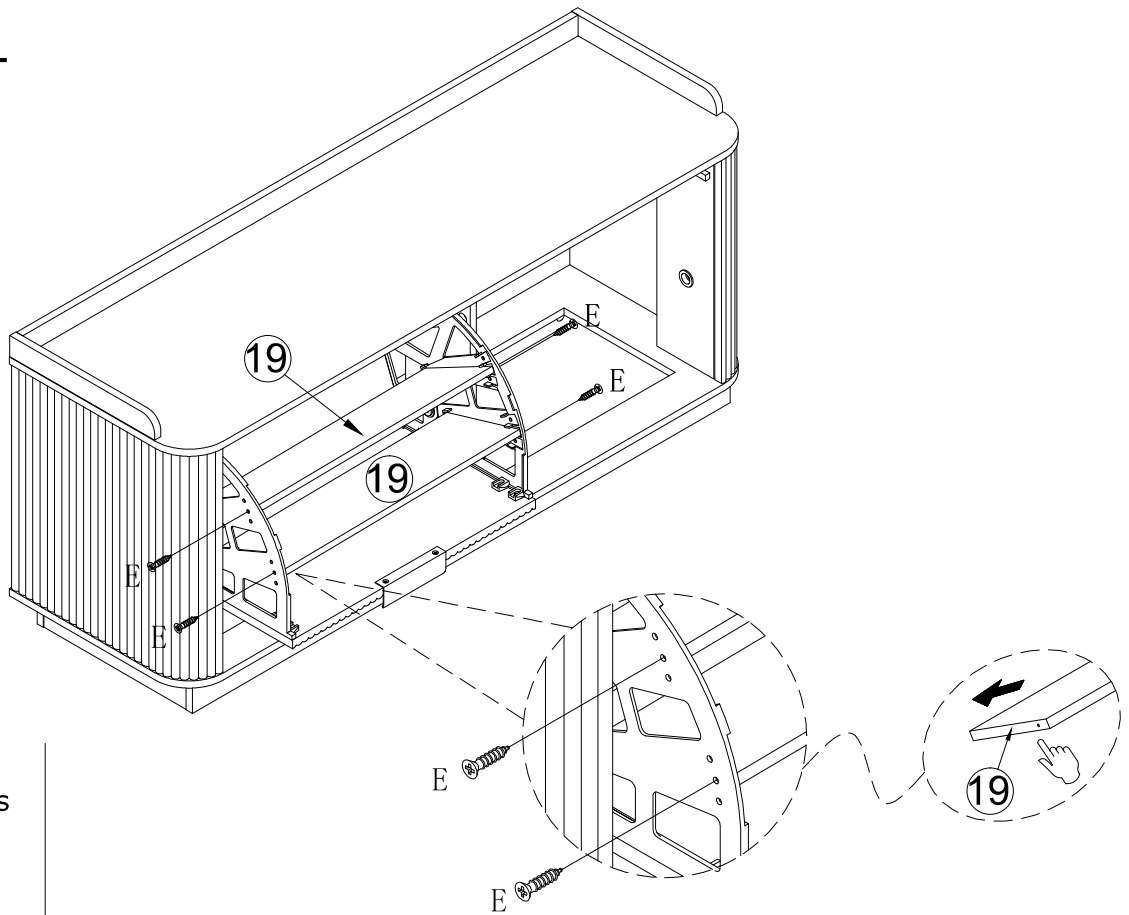


No. L
Quantity: 2 Pcs
Ø19*11

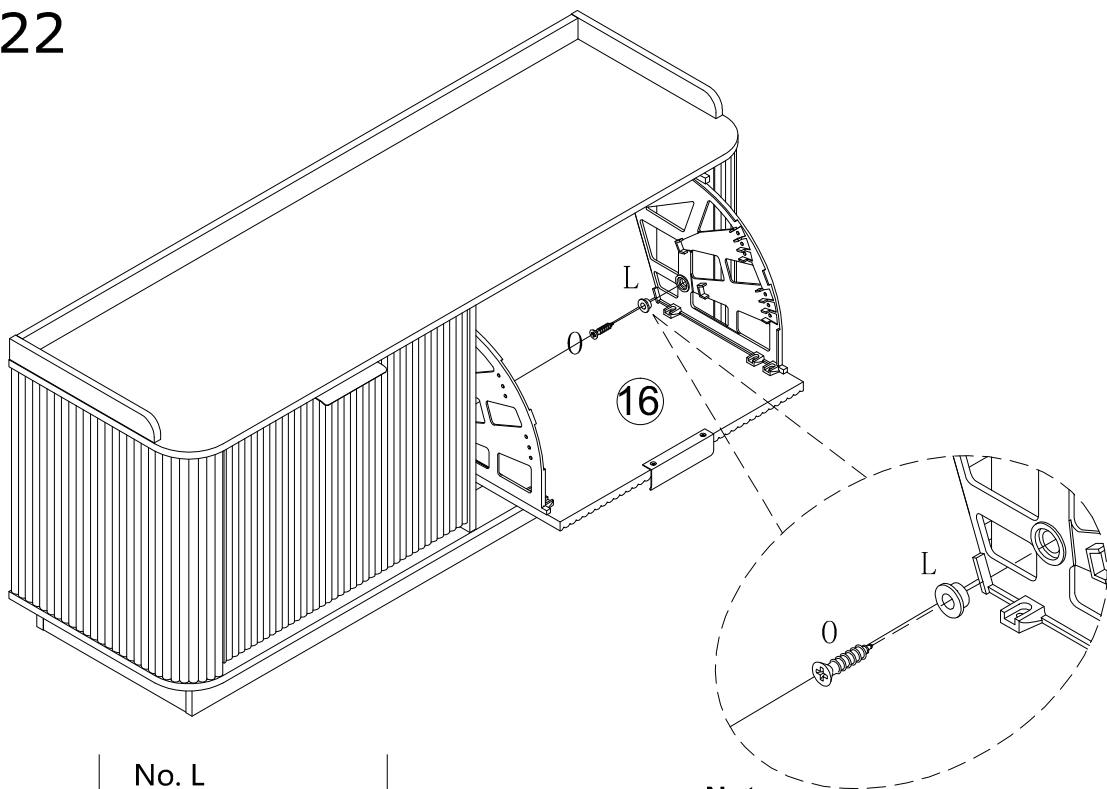


Note:
Please distinguish the screws
here, the screws used here have
different numbers.

STEP 21

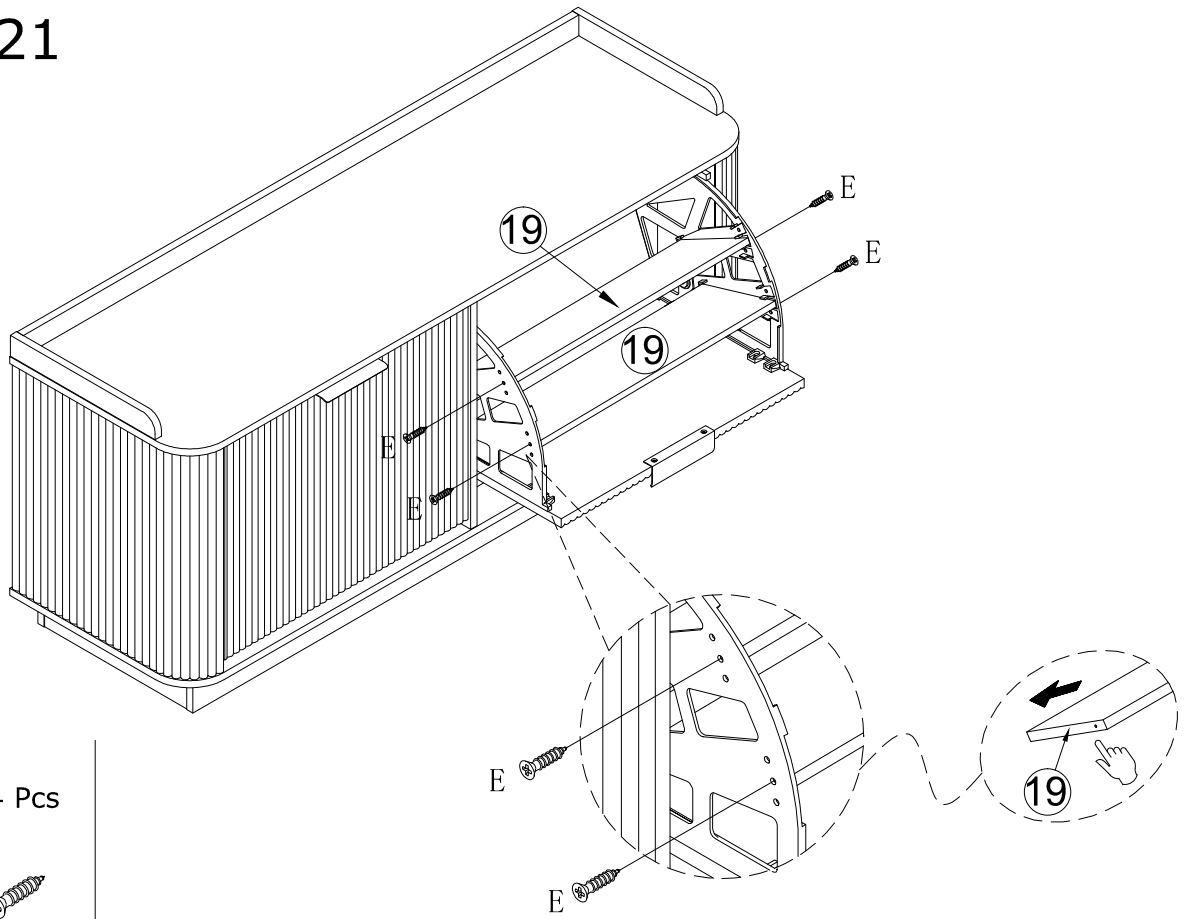


STEP 22

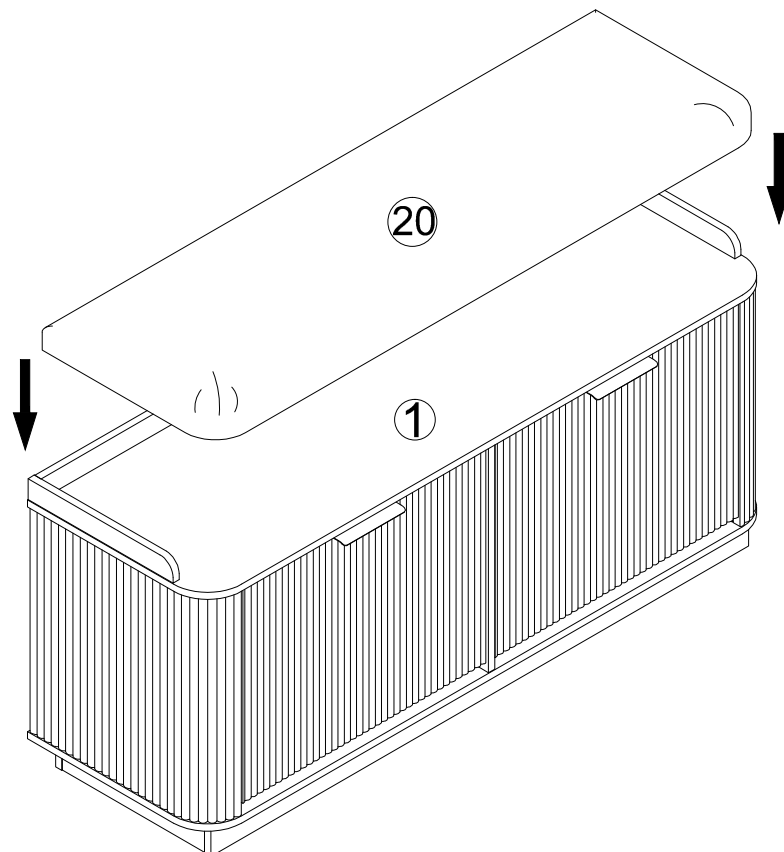


Note:
Please distinguish the screws here, the screws used here have different numbers.

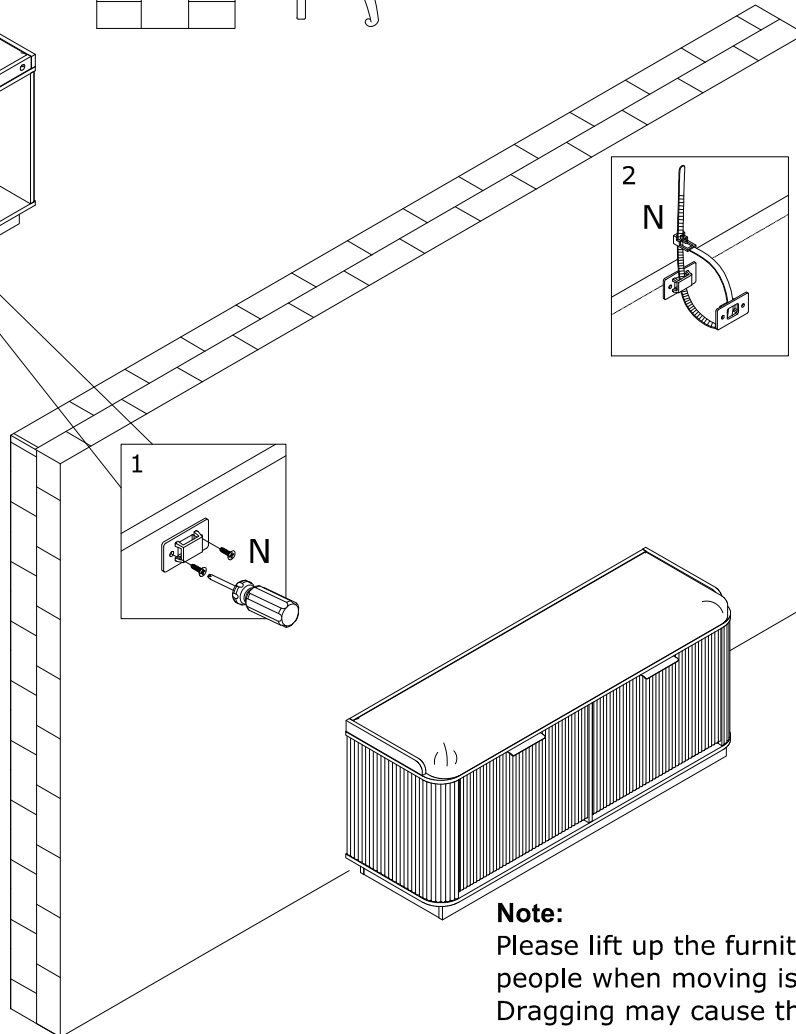
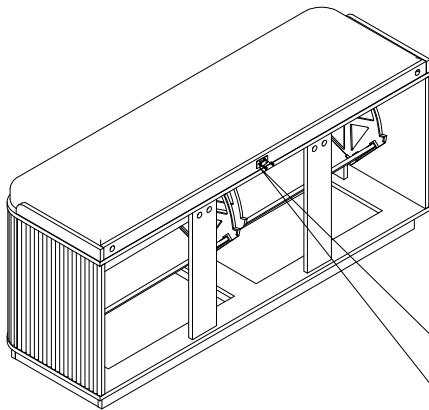
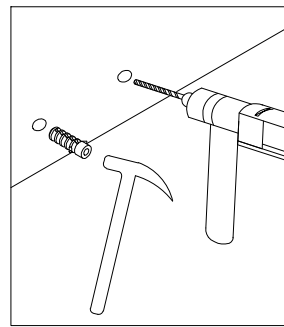
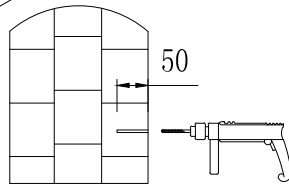
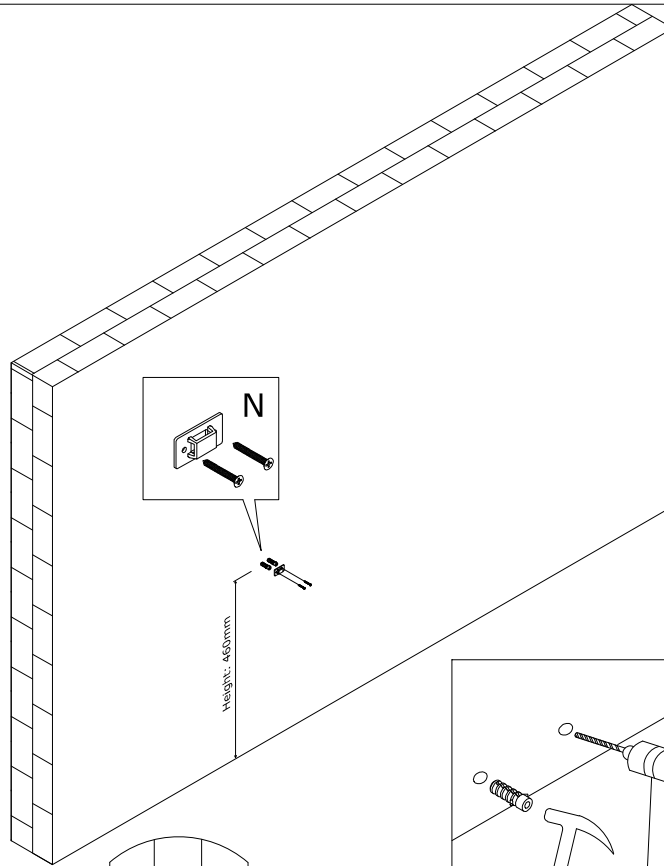
STEP 21



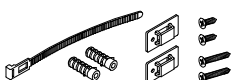
STEP 22



STEP 23



No. N
Quantity: 1 Set



Note:
Please lift up the furniture by two people when moving is needed.
Dragging may cause the legs failure.