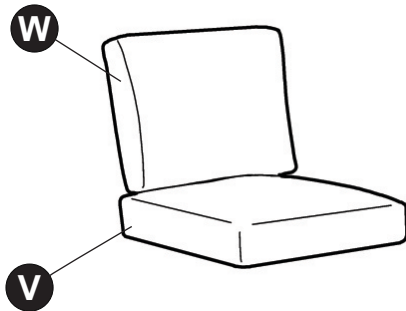
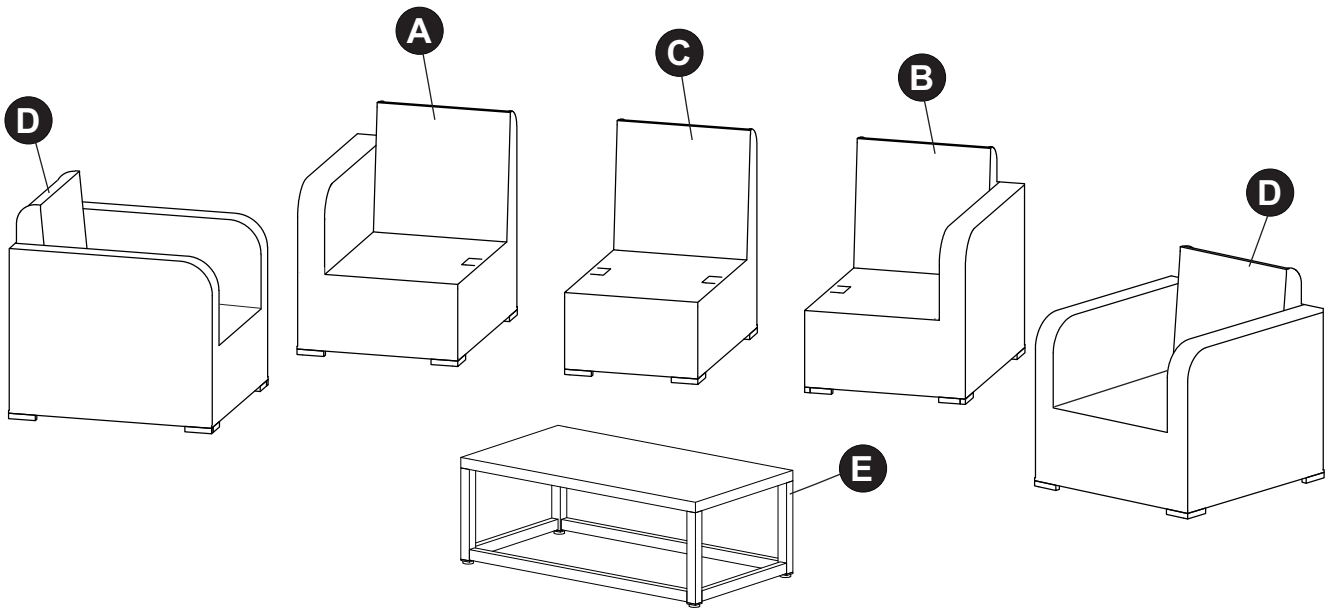


**ATTACH YOUR RECEIPT HERE**

Order Number \_\_\_\_\_

Purchase Date \_\_\_\_\_

## PACKAGE CONTENTS



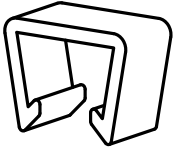
PART	DESCRIPTION	QTY
A	Right Arm Forsyth Seating	1
B	Left Arm Forsyth Seating	1
C	Armless Chair	1
D	ArmChair	2
E	Forsyth Coffee Table	1
V	Standard Seat Bottom	5
W	Standard Back Cushion	5

Note: You will also have 5 plastic bags containing your fabric.  
 5 Bags: Standard Seat Covers (1 bag contains both 1 bottom seat and 1 back cover)

## HARDWARE CONTENTS

---

EE




Chair Clips  
Qty: 2

## SAFETY INFORMATION

---

Please read and understand this entire manual before attempting to assemble, operate or install the product.

 **CAUTION:** Assemble on a soft, non-abrasive surface.

## PREPARATION

---

Before beginning assembly of product, make sure all parts are present. Compare parts with the package contents list and hardware contents list. If any part is missing or damaged, do not attempt to assemble the product.

If you find a missing or damaged part, please look through all pieces to make sure nothing else is missing or damaged. Compile a comprehensive list and give us a call. We will send out all parts in a single shipment. Ensuring you have all missing parts identified at the time you call will ensure a faster delivery to complete your beautiful patio furniture.

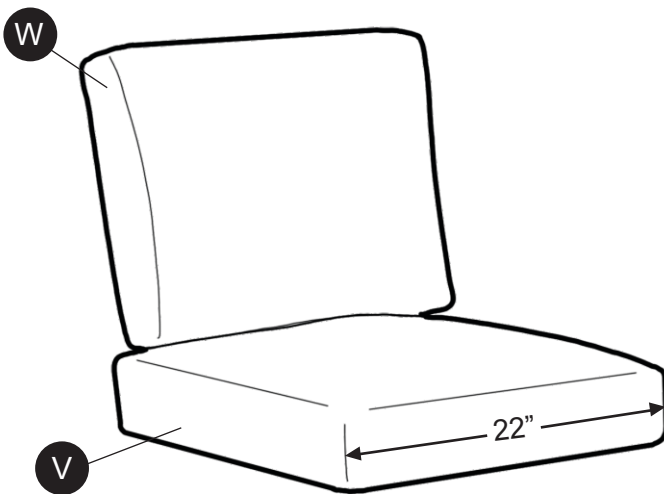
## CUSHION ASSEMBLY

---

Before beginning, make sure all cushions and covers are present. Make sure you have identified the difference in the seat bottoms and seat backs before pulling on the fabric covers.

PART	DESCRIPTION	QTY
V	Standard Seat Bottom	5
W	Standard Back Cushion	5

STANDARD CUSHION



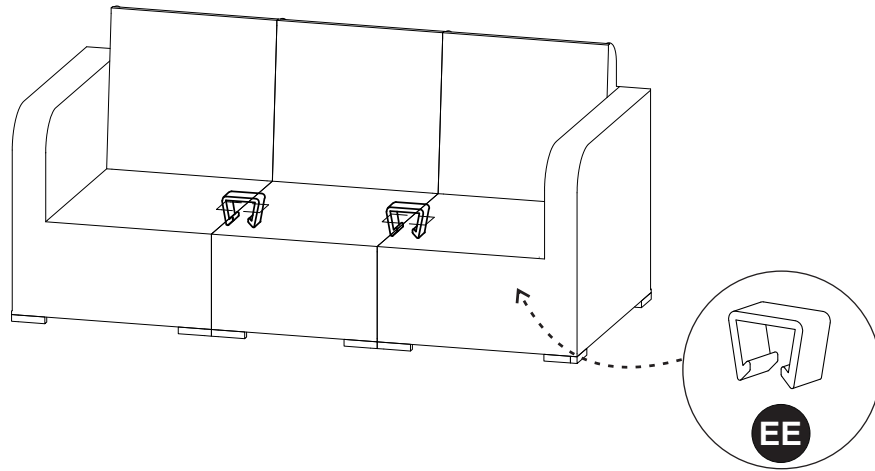
HELPFUL TIP: we call this the 'Taco Method'. Place the cushion between your knees and squeeze together to form a taco. This makes it much easier to pull on the cushion cover.



## ASSEMBLY INSTRUCTIONS

---

- 1** Push all 3 sofa pieces together and add the two clips (EE) to the top of each chair gap.



---

**2.**

