

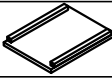







ASSEMBLY INSTRUCTIONS

MID-CENTURY X-SIDE END TABLE WITH SHELF AND BASKET

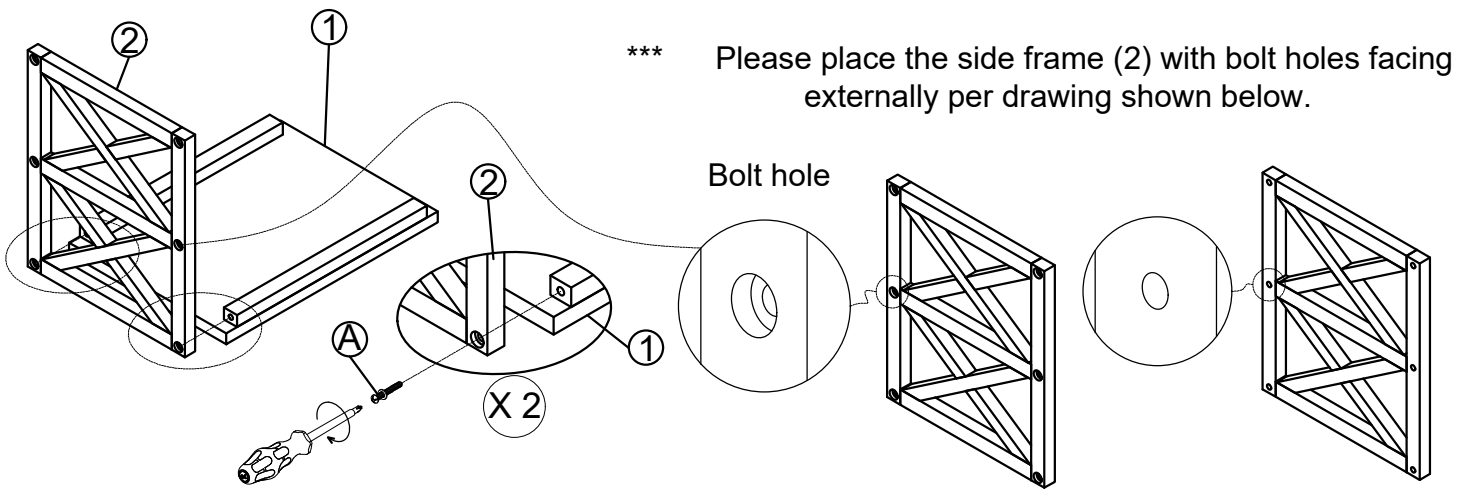
PRODUCT# 6894 / 6900 (CFV2691)

ASSEMBLE ON A FLAT, PROTECTED SURFACE.

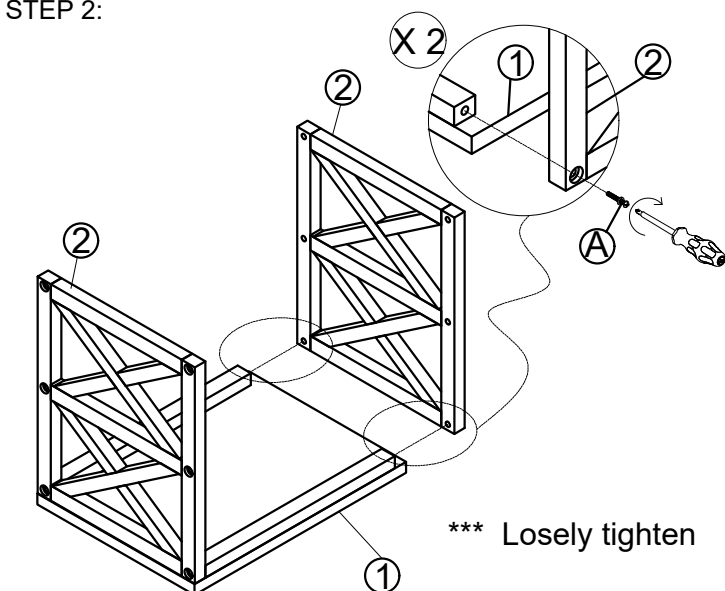
PHILLIPS HEAD SCREWDRIVER NEEDED FOR ASSEMBLY; NOT PROVIDED.

PARTS LIST				HARDWARE LIST			
NO	DESCRIPTION	FIGURE	QTY	NO	DESCRIPTION	FIGURE	QTY
1	TOP		1	A	BOLT 5/32 x45 mm		12
2	SIDE FRAME		2				
3	MIDDLE SHELF		1	B	BASKET FRAME		1
4	BOTTOM SHELF		1				
5	LEGS		4	C	BASKET BOTTOM		1

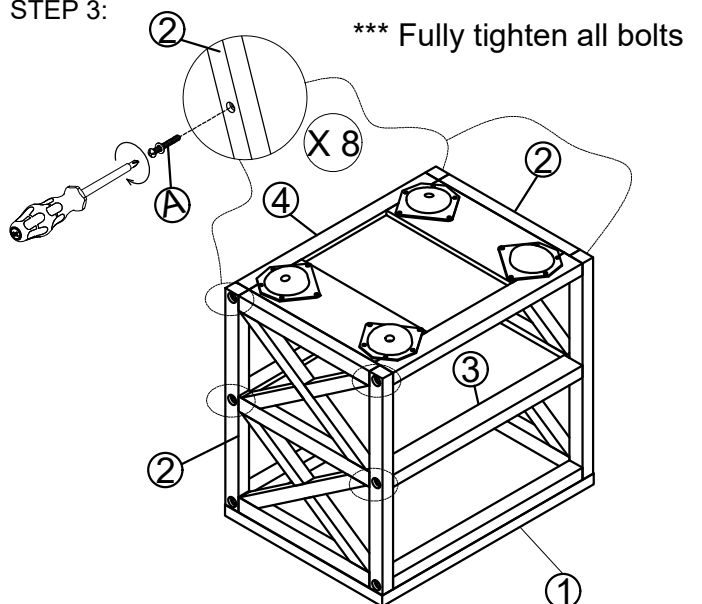
STEP 1:



STEP 2:



STEP 3:



ASSEMBLY INSTRUCTIONS

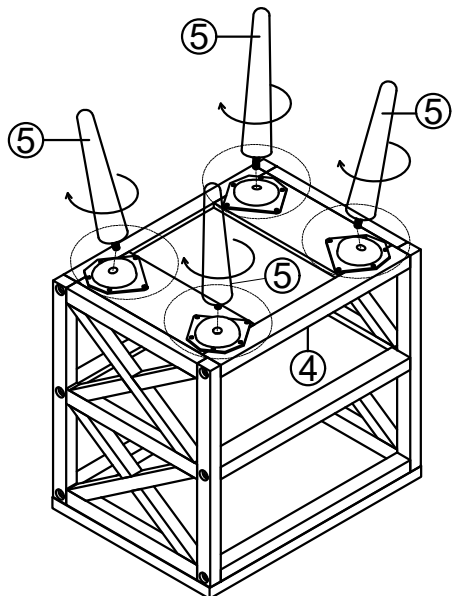
MID-CENTURY X-SIDE END TABLE WITH SHELF AND BASKET

PRODUCT# 6894 / 6900 (CFV2691)

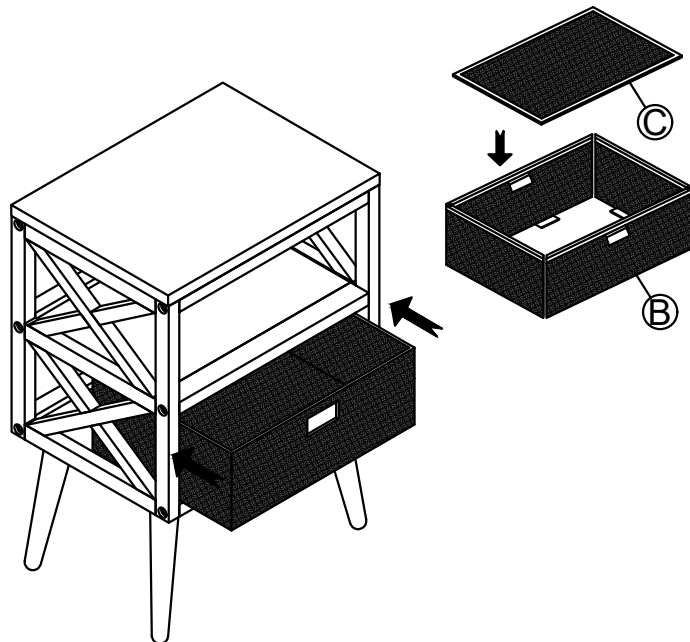
ASSEMBLE ON A FLAT, PROTECTED SURFACE.

PHILLIPS HEAD SCREWDRIVER NEEDED FOR ASSEMBLY; NOT PROVIDED.

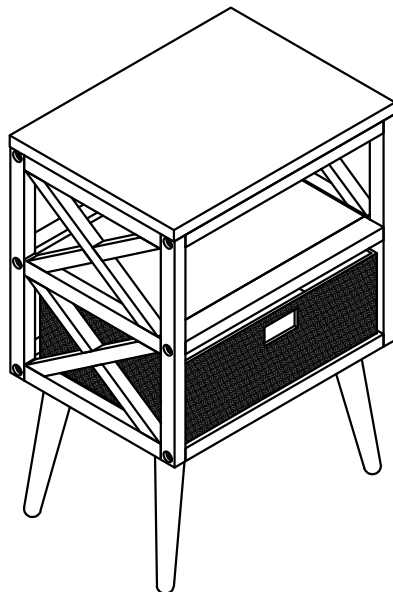
STEP 4:



STEP 5:



STEP 6:



IMPORTANT NOTES:

- PLACE ALL WOODEN PARTS ON A CLEAN AND SMOOTH SURFACE TO AVOID SCRATCHING.
- KINDLY FOLLOW THE ASSEMBLY INSTRUCTION STEP BY STEP.
- WE RECOMMEND THAT YOU PERIODICALLY TIGHTEN ALL BOLTS/SCREWS. PLEASE MAKE SURE ALL BOLTS/SCREWS ARE PLACED IN THEIR PROPER POSITION AND ARE TIGHTENED SECURELY TO ENSURE YOUR SAFETY.
- WEIGHT RESTRICTION: TOP: 40 LBS. SHELVES: 20 LBS. BASKET: 15 LBS.
- DO NOT SIT, STAND OR CLIMB ON THE END TABLE
- NOT FOR COMMERCIAL USE.

*In case you need any extra parts, please feel free to contact us directly instead of returning your order, we will be more than happy to help you with in business day.

Chicago Stool & Chair Inc.

1230 St. Charles Street, Elgin, IL60120, USA

Tel#847-2899955

Fax#847-2899911

Email: service@ehemco.com

www.ehemco.com

Version: Sep 15, 2023