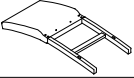
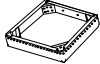




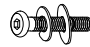

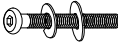

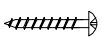


# ASSEMBLY INSTRUCTIONS INSTRUCCIONES

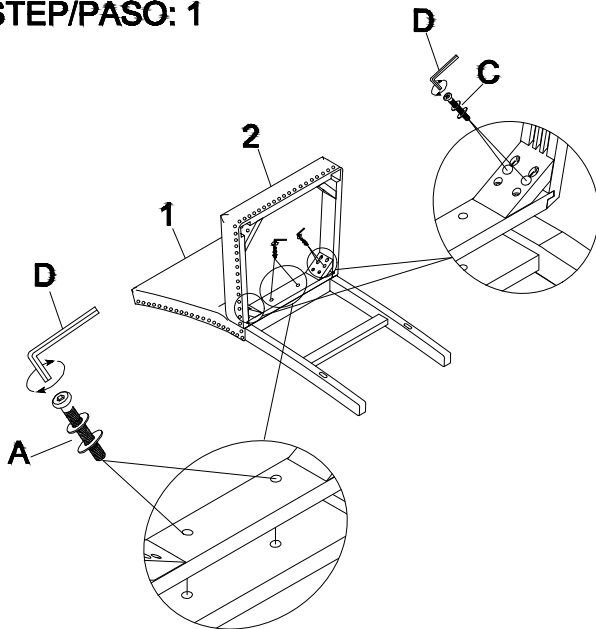
## PARTS LIST

NO.	DESCRIPTION	SKETCH	Q'TY
1	CHAIR BACK		1
2	SEAT FRAME		1
3	CHAIR LEG (R)		1
4	CHAIR LEG (L)		1
5	SIDE STRETCHER		2
6	FRONT STRETCHER		1

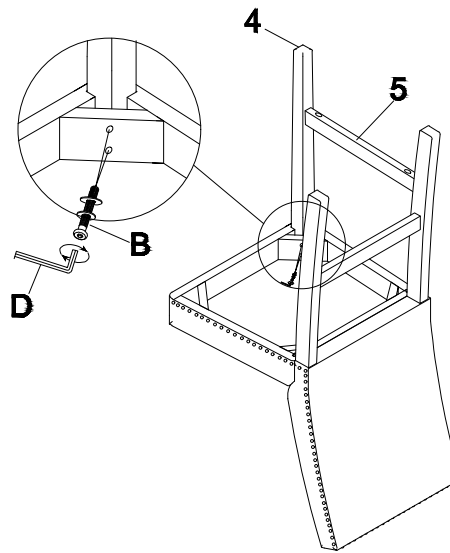
## HARDWARE LIST

NO.	DRAWING	DESCRIPTION	Q'TY
A		Ø1/4"-20x1-1/2" L (Chair back center)	2
B		Ø1/4"-20x2-3/8" L (Front leg)	4
C		Ø1/4"-20x2-3/4" L (Chair back leg corner)	4
D		M4 SMALL ALLEN KEY	1
E		#8x1-1/2" L	6

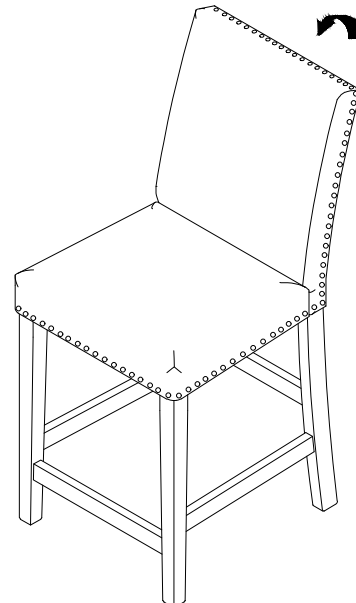
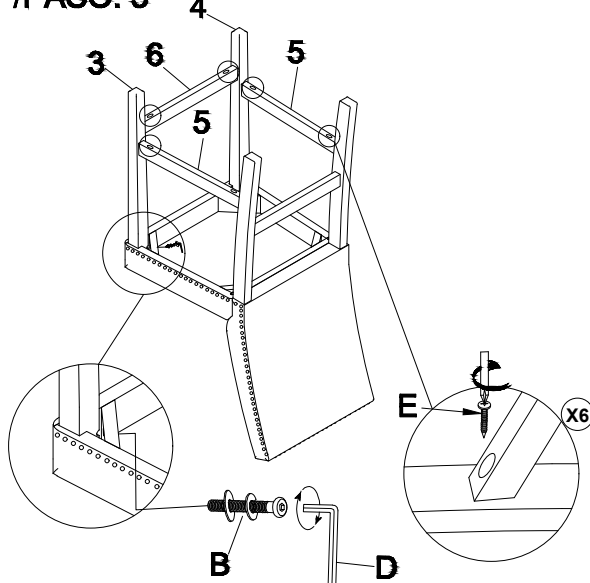
### STEP/PASO: 1



### STEP/PASO: 2



### STEP/PASO: 3



**DO NOT TIGHTEN ALL BOLTS UNTIL COMPLETELY ASSEMBLED.  
NO APRETAR LOS TORNILLOS HASTA ARMAR COMPLETAMENTE.**