

Product Manual

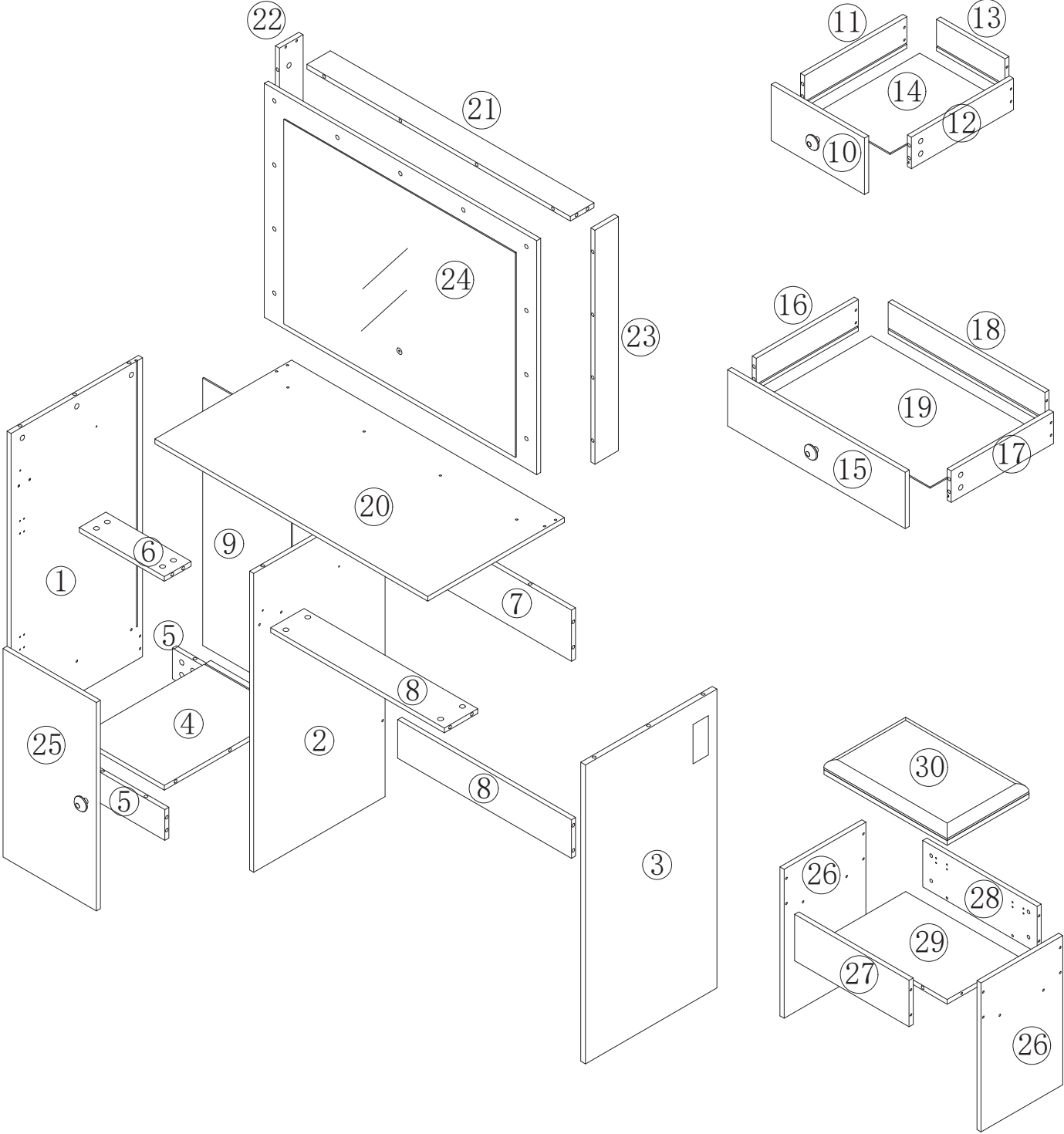
If you have any questions about the installation, please contact

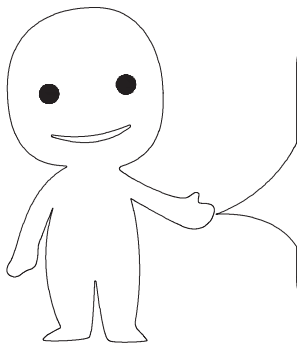
haewonservice@163.com

We will help you within 24 hours.



The same number represents the same size board.





Please prepare the following tools

A x 82

Ø6 x 35 mm

B x 82

Ø12 x 10 mm

C x 20

Ø4 x 40 mm

D x 20

Ø10 x 9 mm

E x 3

Drawer handle

F x 3

Ø4 x 16 mm

G x 42

Ø3 x 12 mm

H x 1

Charging Station

I x 2

I1
I2

Drawer Slide 12 inches

J x 4

Cabinet Hinge

K x 1

Screwdriver

L x 1

USB Line

N x 11

Ø35 mm

O x 12

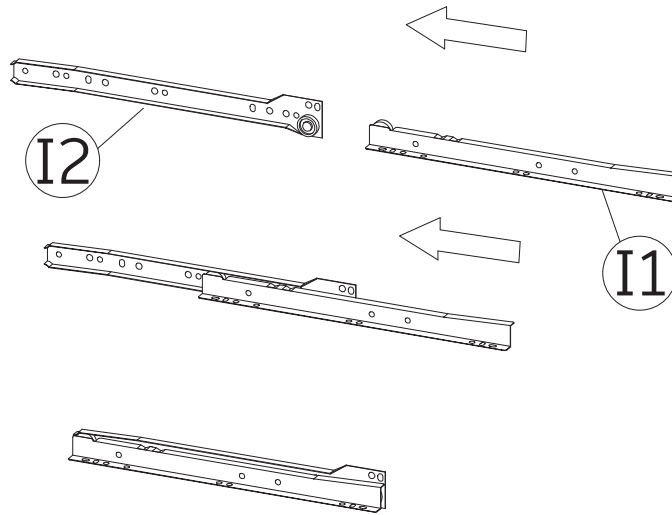
12*8*6

P x 11

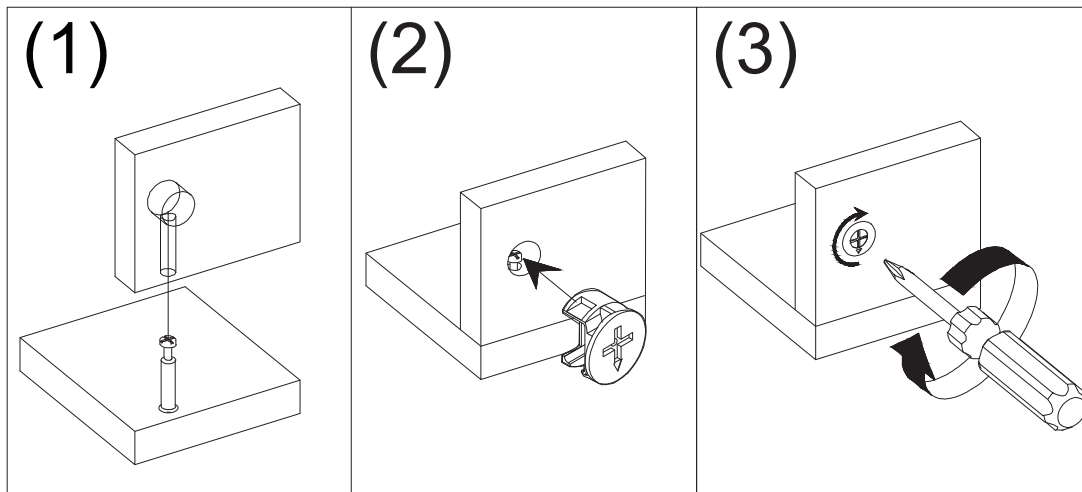
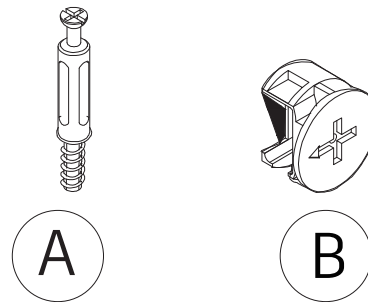
14*14*5



Before installing the drawer rail, you need to separate the I1 and I2 first.

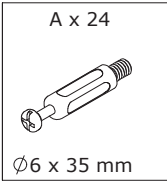


This Cam Lock Fastening System will be used throughout the assembly process

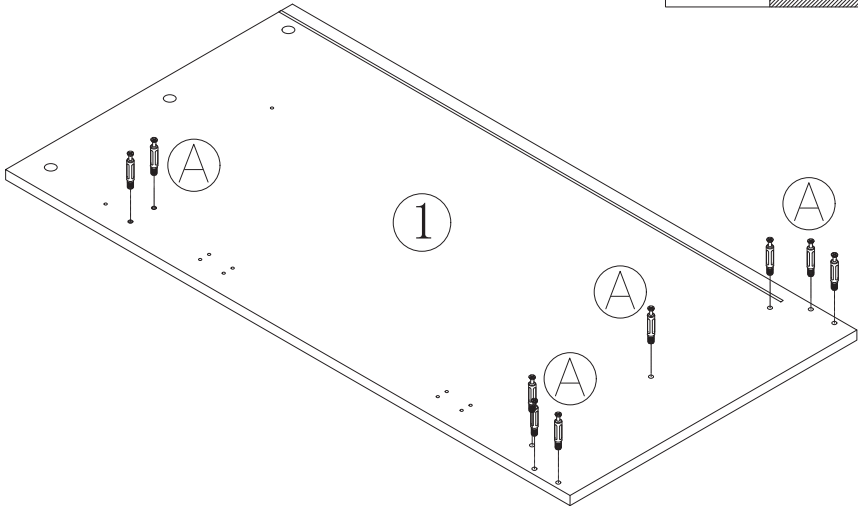
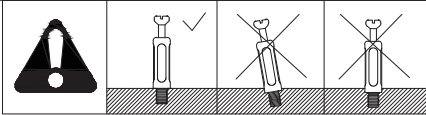
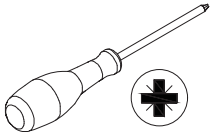




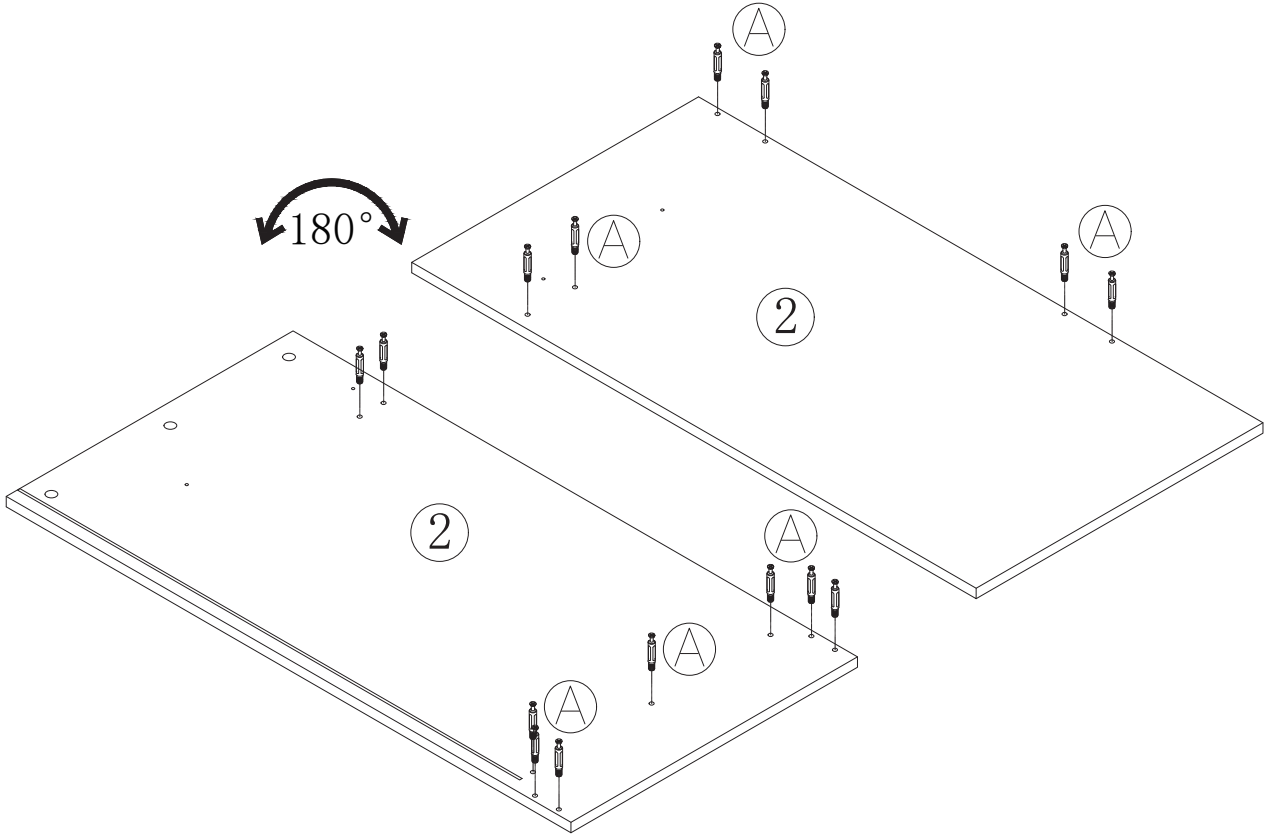
1



① x 1 ② x 1

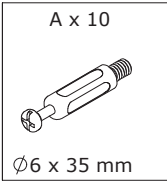


Screw the cam bolt (A) into the panels (1) and (2). Then, flip the panels 180° and screw the cam bolt (A) into the other side of panel (2).

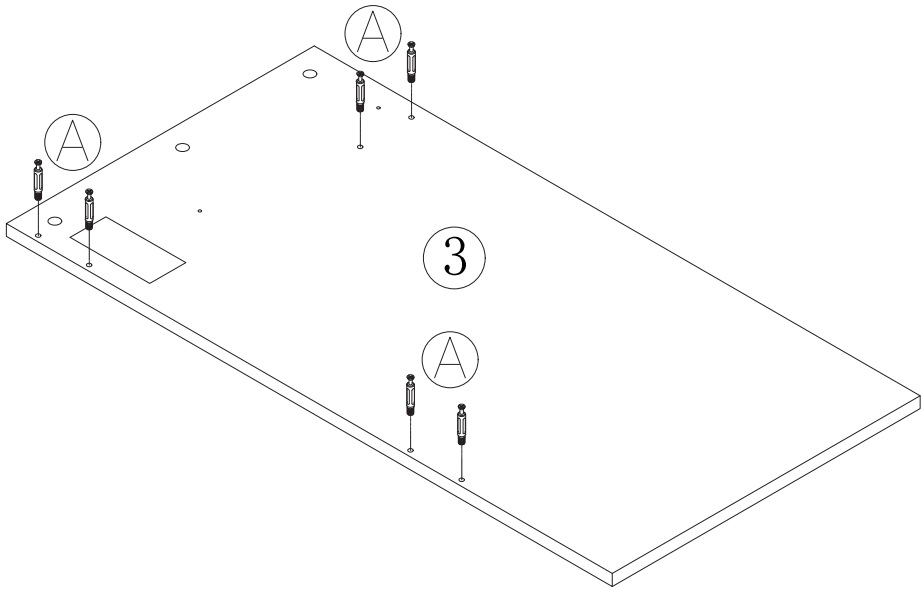
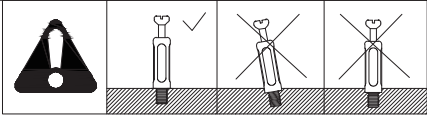
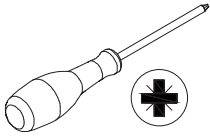




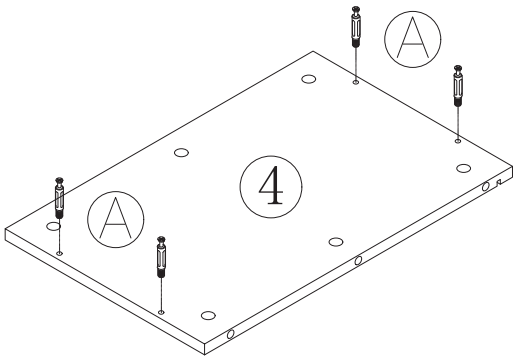
2



3 x 1 4 x 1



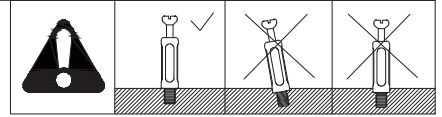
Screw the cam bolt (A) into the panel (3) and (4).





3

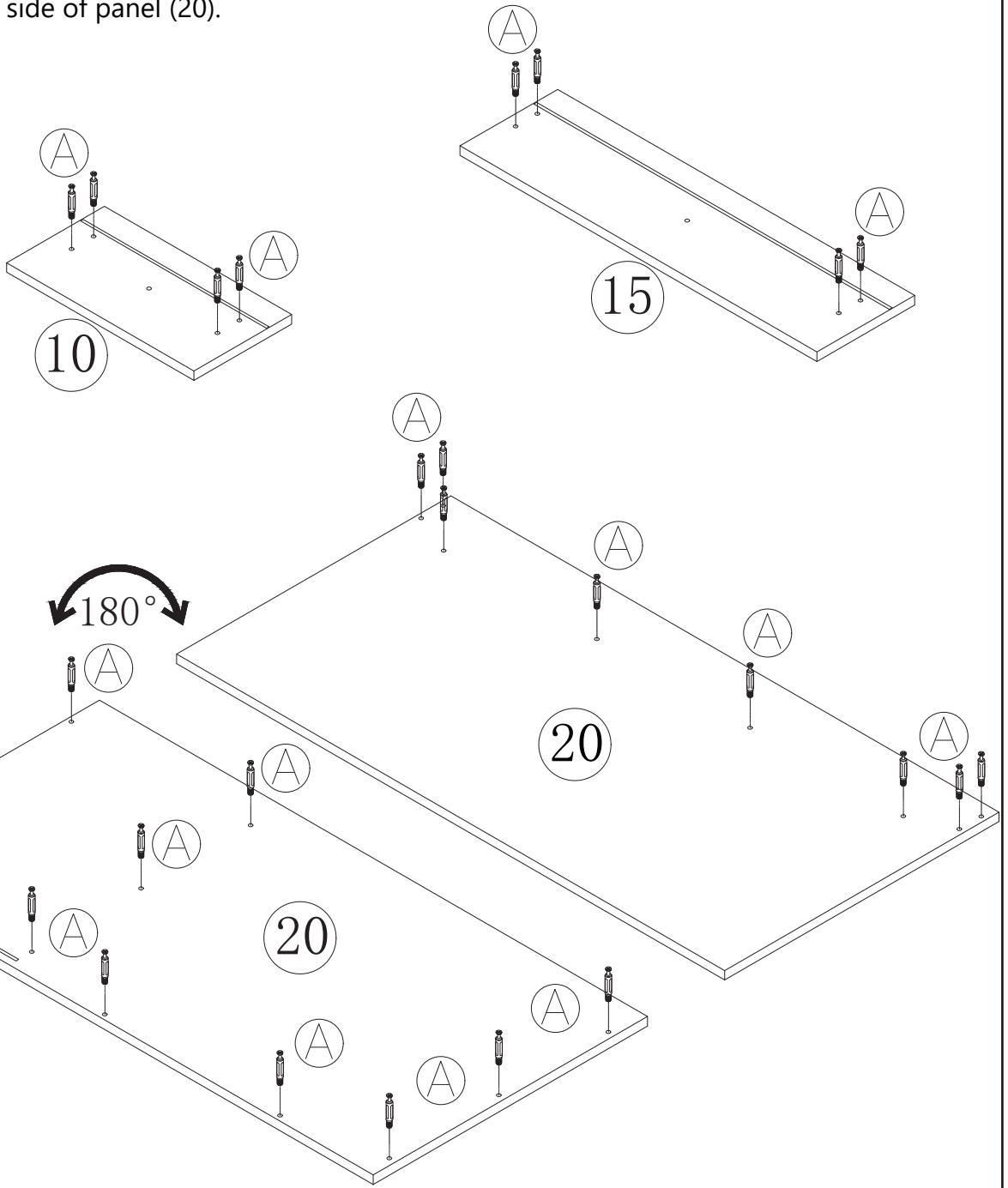
 A x 27 Ø6 x 35 mm	10 x 1	15 x 1
	20 x 1	



Screw the cam bolt (A) into the panels (10) and (15).

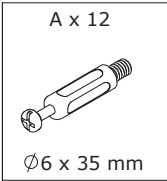
Screw the cam bolt (A) into the panel (20).

Then, flip the panel 180° and screw the cam bolt (A) into the other side of panel (20).

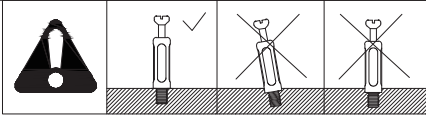
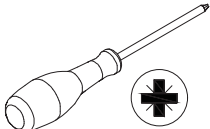




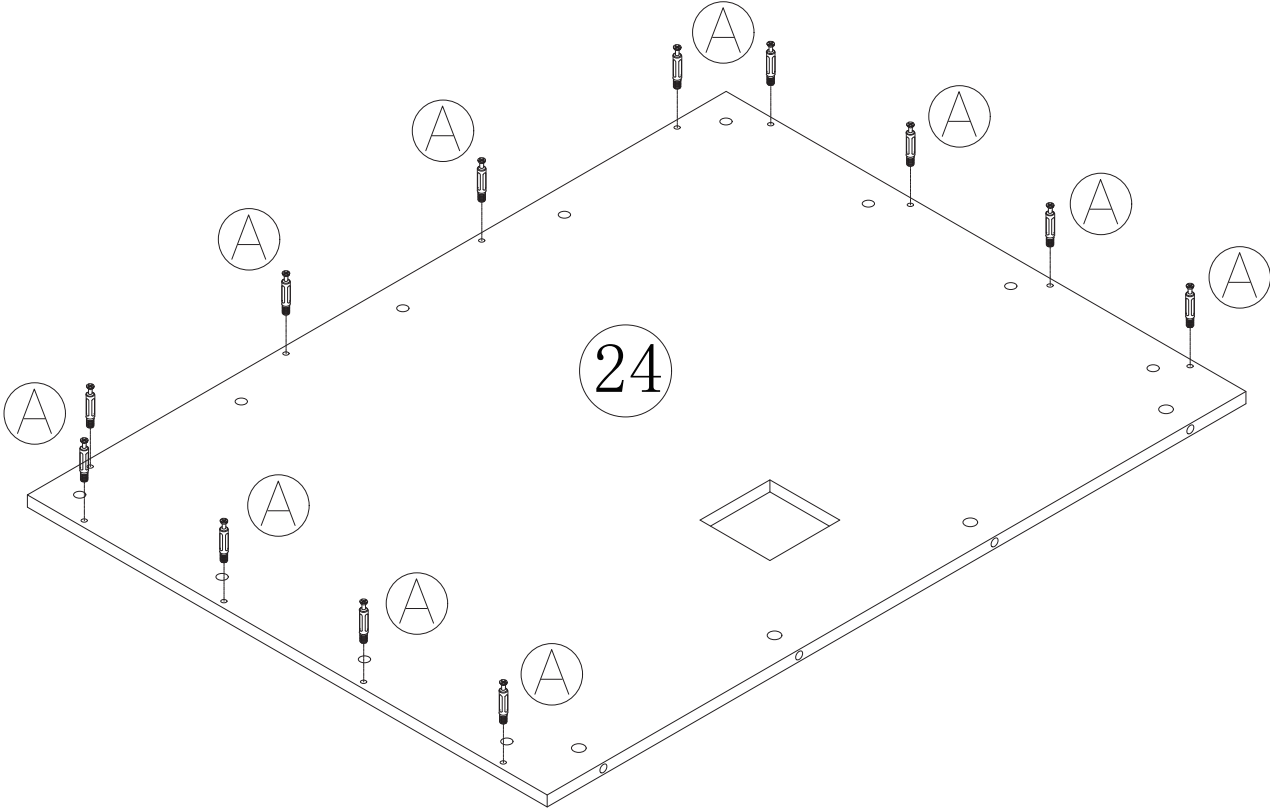
4



24 x 1

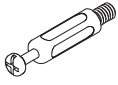



Screw the cam bolt (A) into the panel (24).



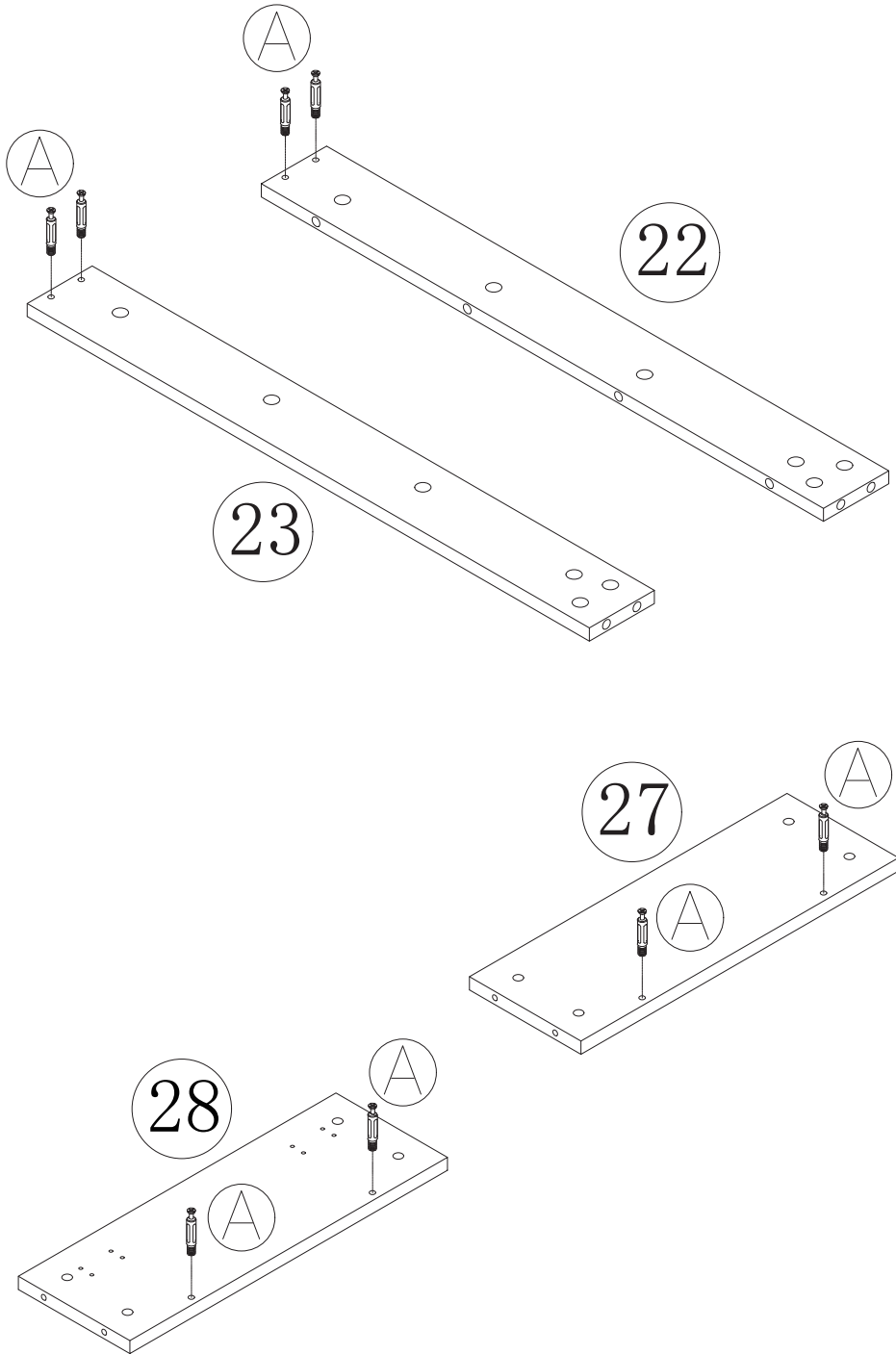
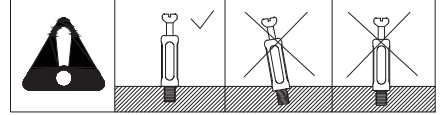


5

 A x 8 Ø6 x 35 mm	(22) x 1	(23) x 1
	(27) x 1	(28) x 1




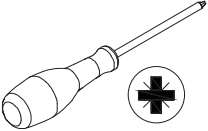


Screw the cam bolt (A) into the panels (22) (23) (27) and (28).

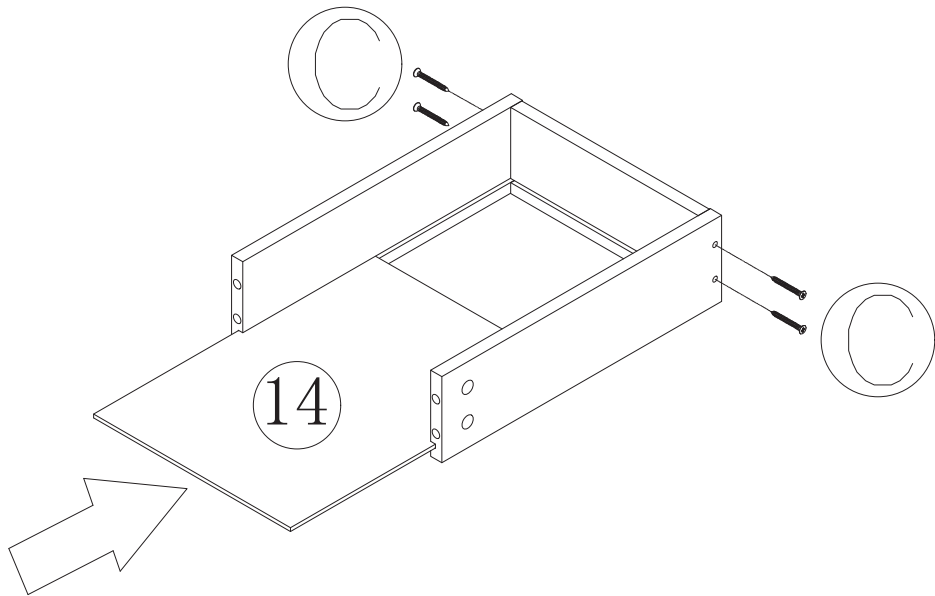
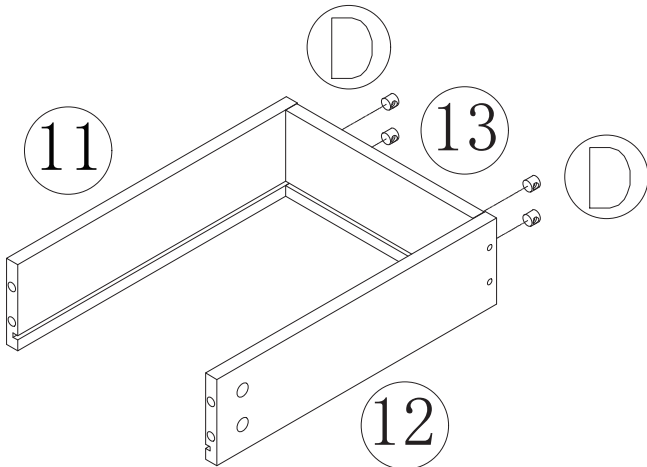
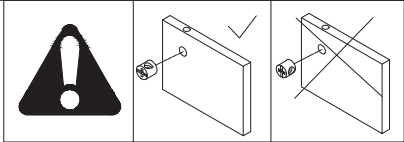




6






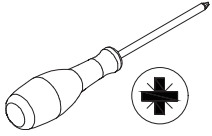
C x 4  Ø4 x 40 mm	D x 4  Ø10 x 9 mm	①1 x 1 ①2 x 1 ①3 x 1 ①4 x 1		
--	--	------------------------------------	---	---

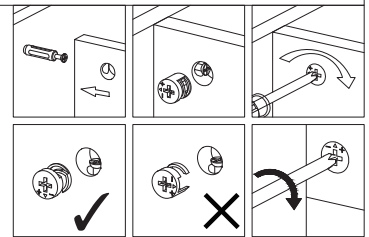
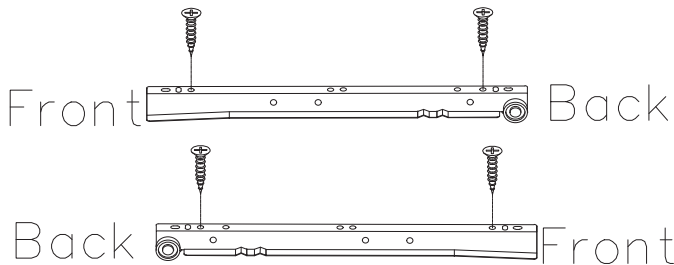
Screw part (D) into panel (13).
Attach panels (11) and (12) to panel (13) using screws (C).
Slide bottom panel (14) into the assembled drawer unit.



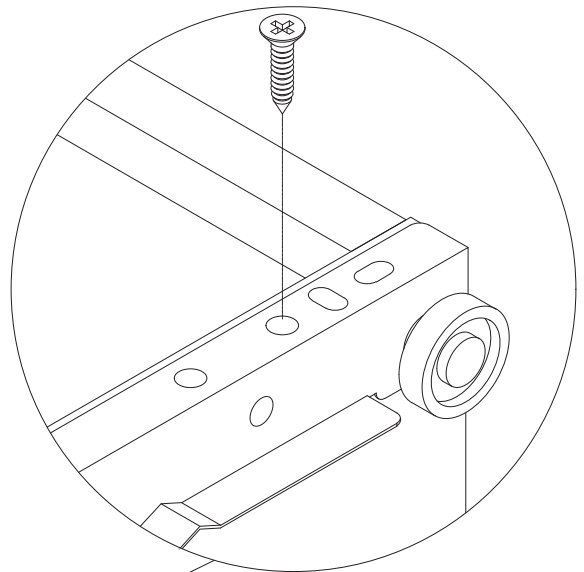
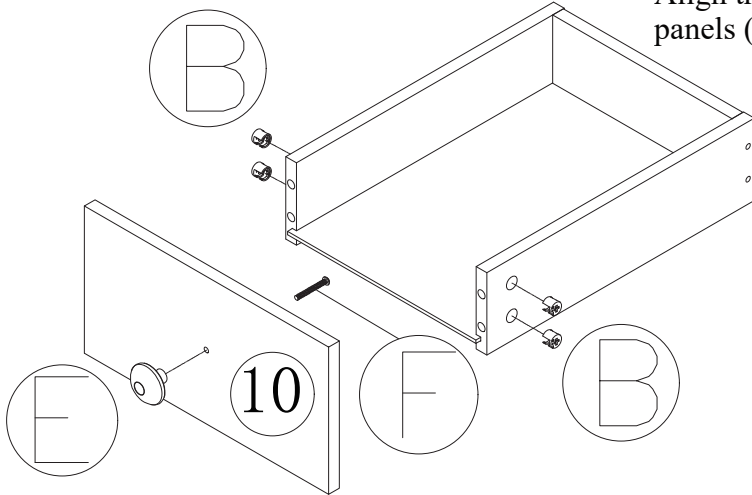


7

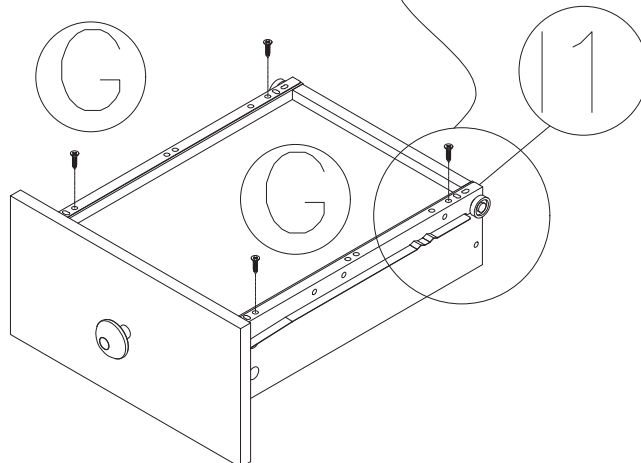
<p>B x 4</p>  <p>Ø 12 x 10 mm</p>	<p>E x 1</p> 	<p>F x 1</p>  <p>Ø 4 x 16 mm</p>	<p>G x 4</p>  <p>Ø 3 x 12 mm</p>	<p>I 1 x 1</p>  <p>I1 I2</p>	<p>10 x 1</p> 
--	--	---	---	--	---



Pass screw (F) through the center of panel (10) to attach with the drawer handle (E).
Align the screws (A) on panel (10) with the holes in panels (11) and (12), then secure them using cam locks (B).





Install track (I1) onto the bottom of the drawer and secure it with screw (G).
Note: Refer to the diagram to ensure the alignment holes on panels (11) and (12) are correctly lined up with the holes on track (I1).

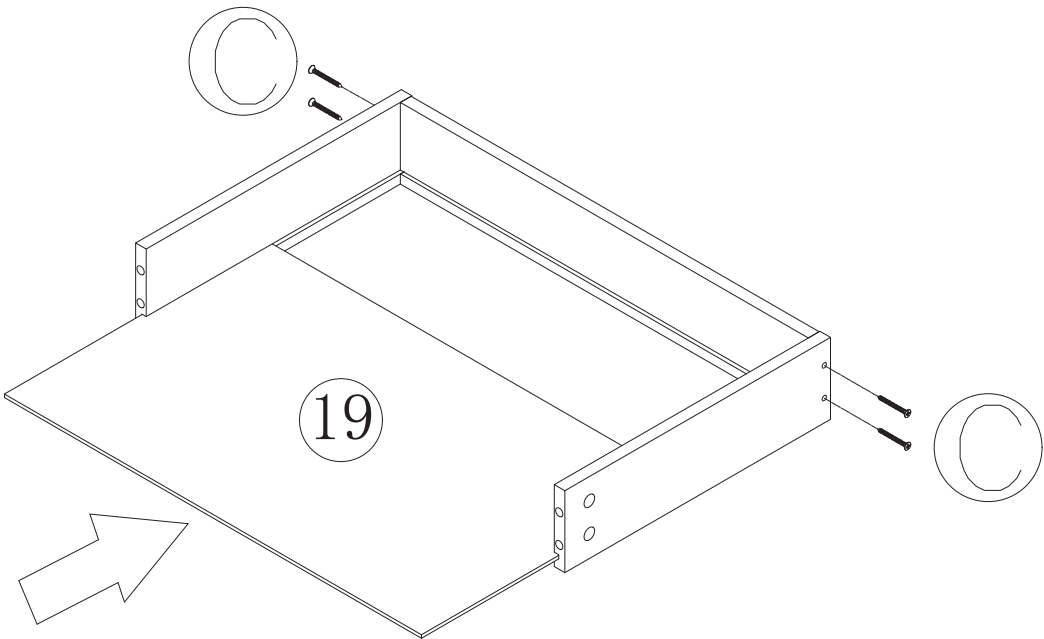
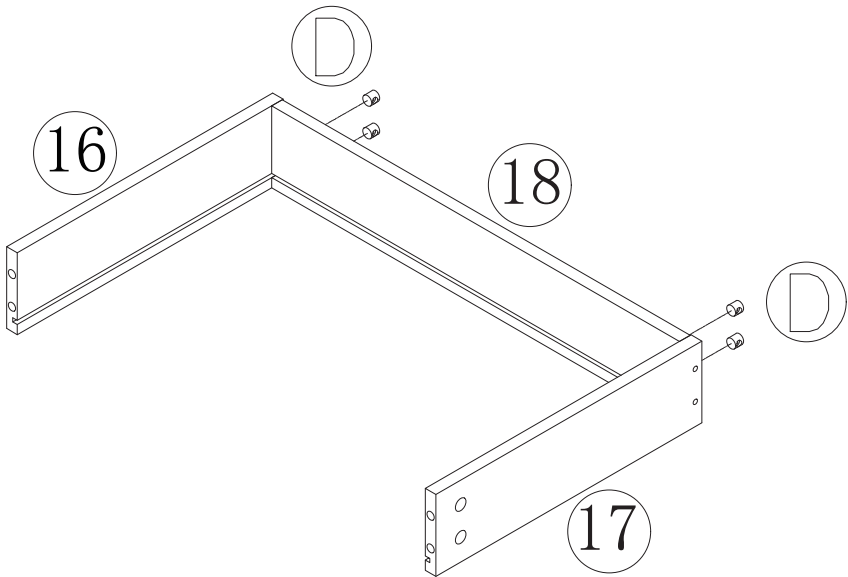
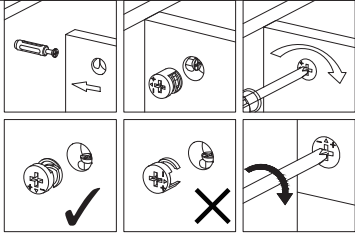




8

C x 4  Ø4 x 40 mm	D x 4  Ø10 x 9 mm	①6 x 1 ①7 x 1 ①8 x 1 ①9 x 1		
--	--	------------------------------------	---	---

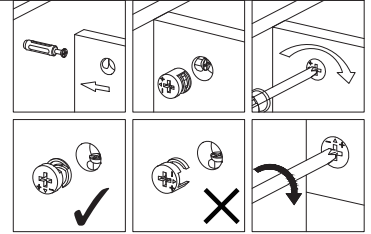
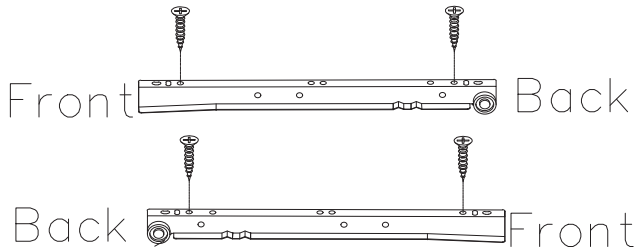
Screw part (D) into panel (18).
Attach panels (16) and (17) to panel (18) using screws (C).
Slide bottom panel (19) into the assembled drawer unit.



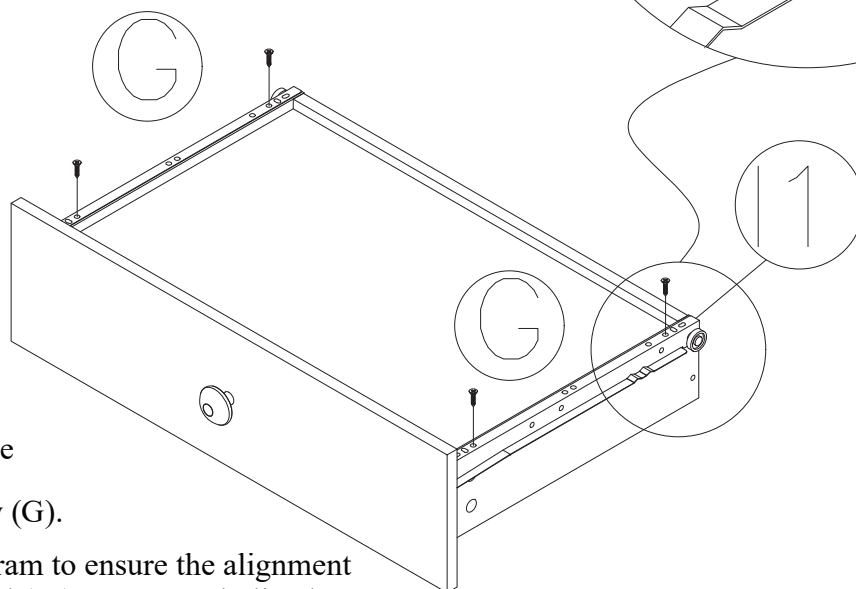
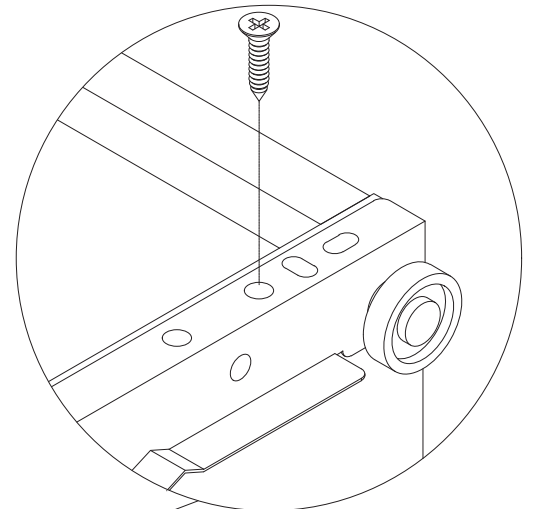
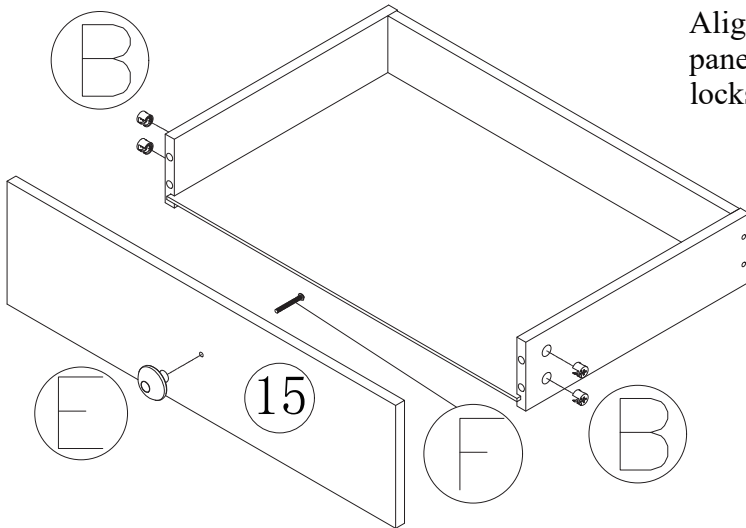


9

B x 4 Ø 12 x 10 mm	E x 1 	F x 1 Ø 4 x 16 mm	G x 4 Ø 3 x 12mm	I 1 x 1 15 x 1	
---------------------------	-----------	--------------------------	-------------------------	----------------------------------	--



Pass screw (F) through the center of panel (15) to attach with the drawer handle (E).
Align the screws (A) on panel (15) with the holes in panels (16) and (17), then secure them using cam locks (B).



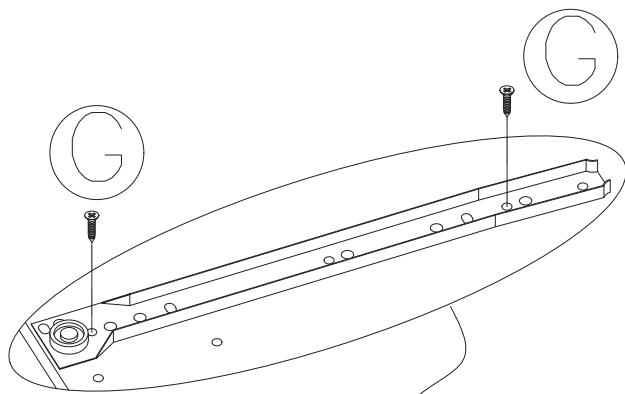
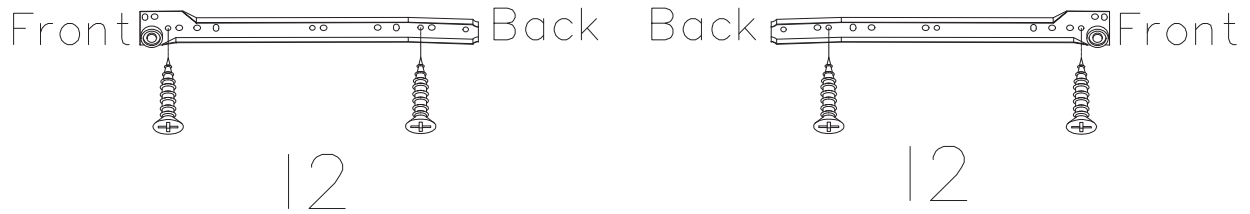
Install track (I1) onto the bottom of the drawer and secure it with screw (G).

Note: Refer to the diagram to ensure the alignment holes on panels (16) and (17) are correctly lined up with the holes on track (I1).



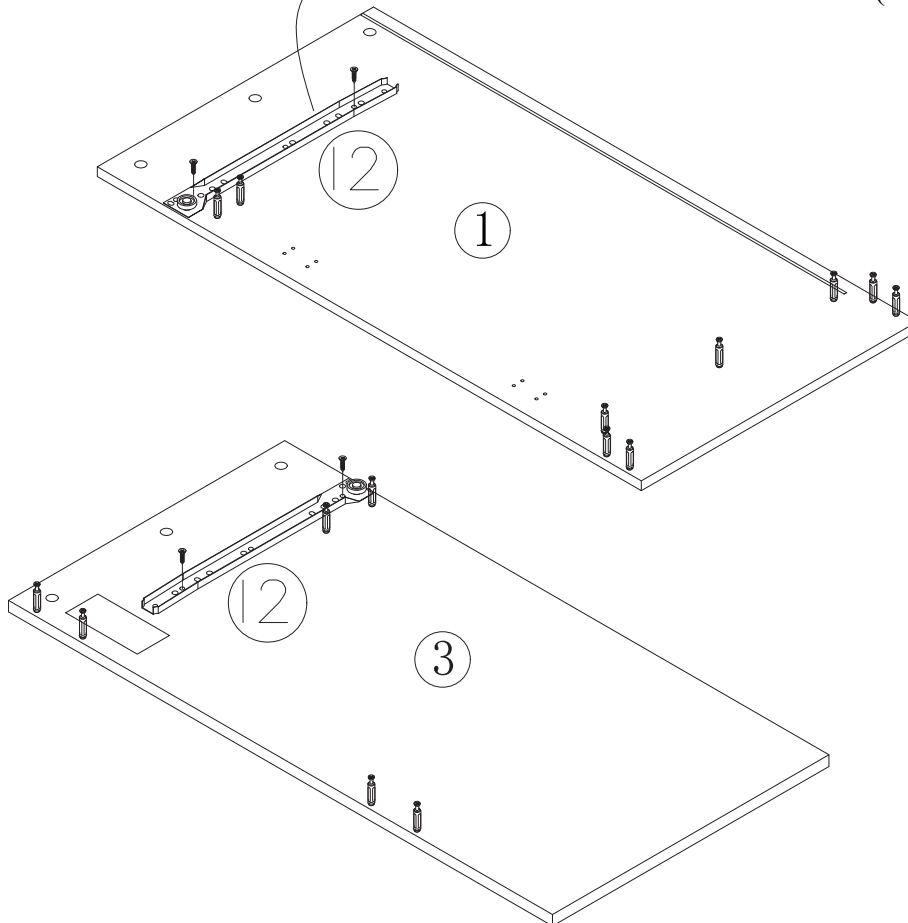
10

G x 4  Ø3 x 12mm	I 2x 1  	① x 1 ③ x 1		
---	--	--------------------	---	---



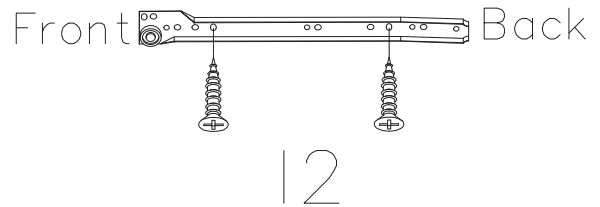
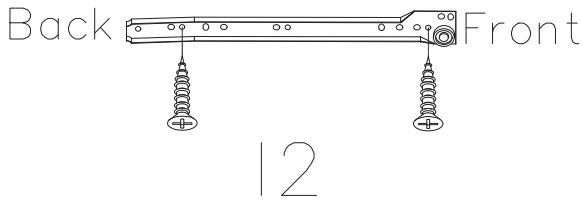
Install drawer track (I2) onto panels (1) and (3), and secure it with screw (G).

Note: Refer to the diagram to ensure the alignment holes on panels (1) and (3) are properly aligned with the holes on track (I2).



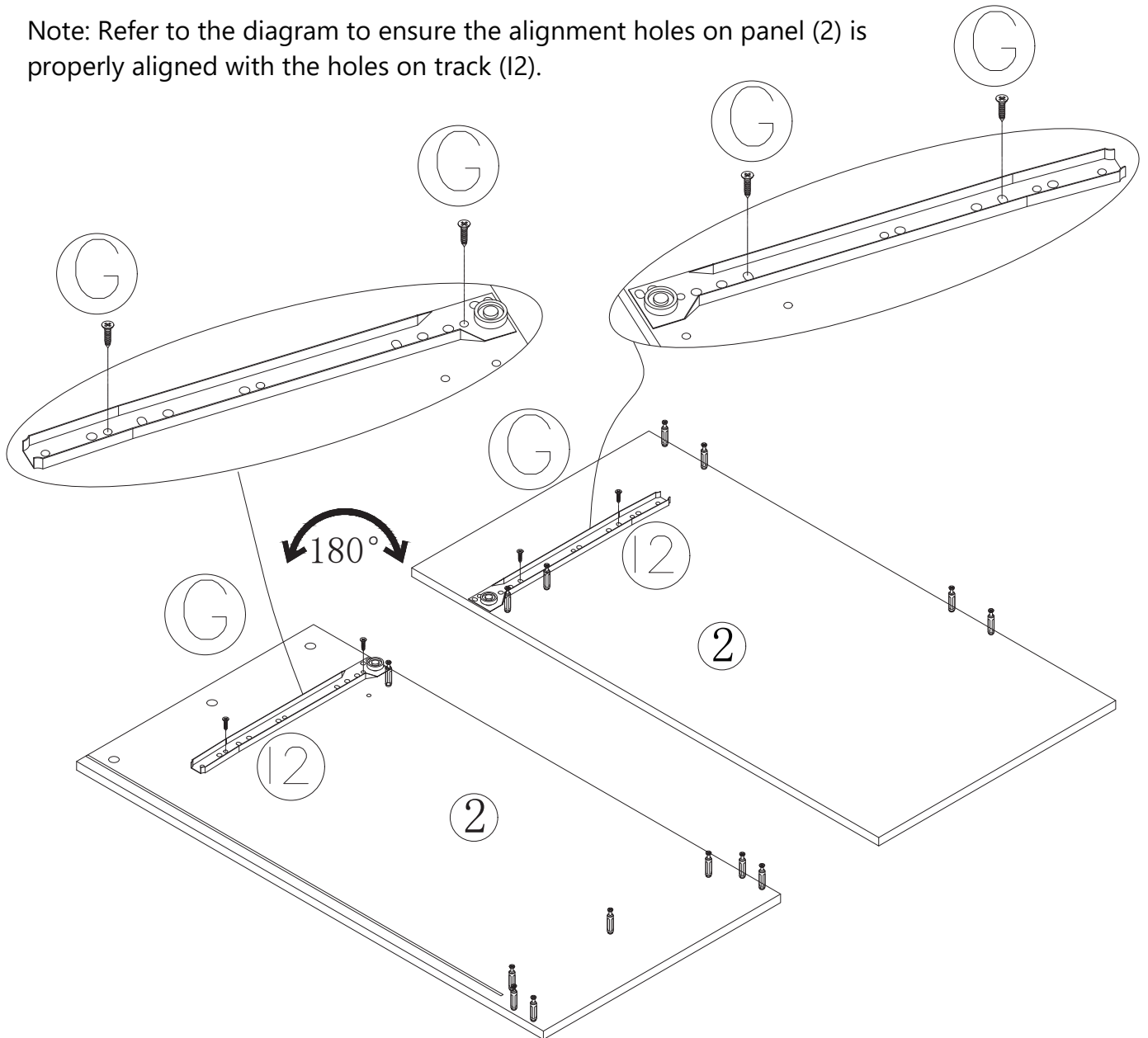


11



Install drawer track (I2) onto panel (2), and secure it with screw (G). Then, flip the panel 180° and install drawer track (I2) onto the other side of panel (2), secure it with screw (G).

Note: Refer to the diagram to ensure the alignment holes on panel (2) is properly aligned with the holes on track (I2).

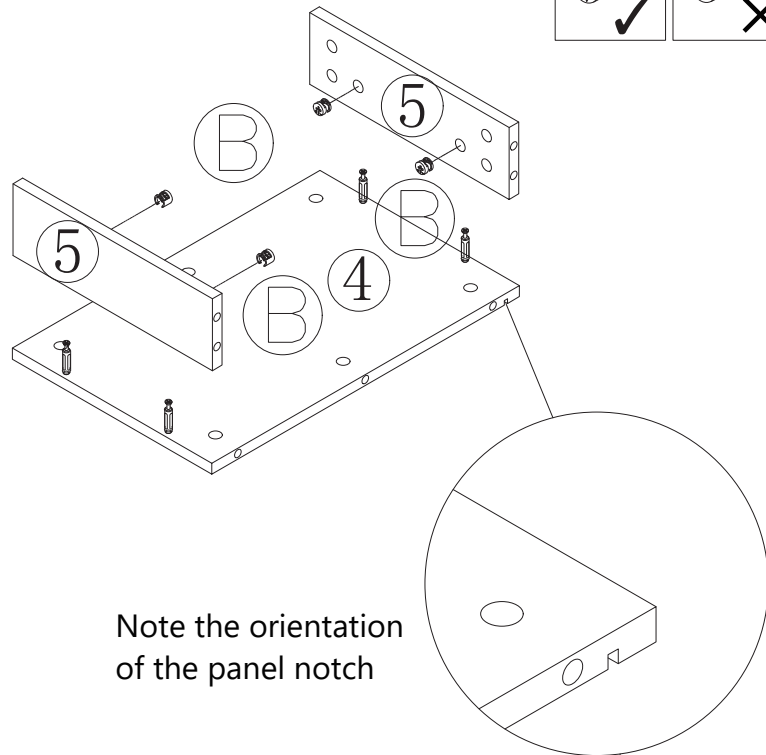
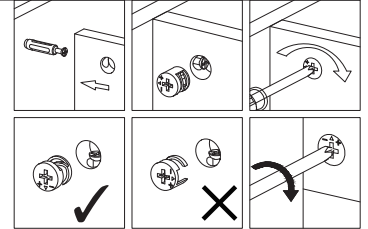




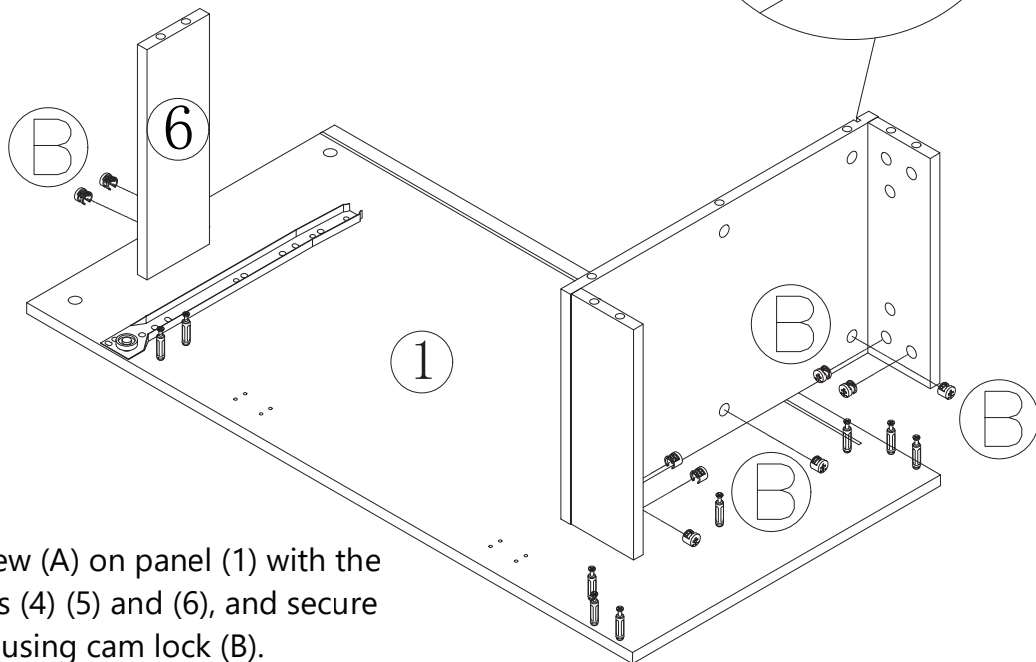
12

<p>B x 13</p> <p>Ø 12 x 10 mm</p>	① x 1	④ x 1	
	⑤ x 2	⑥ x 1	

Align screw (A) on panel (4) with the holes in panel (5) and secure it in place using cam lock (B).



Note the orientation of the panel notch



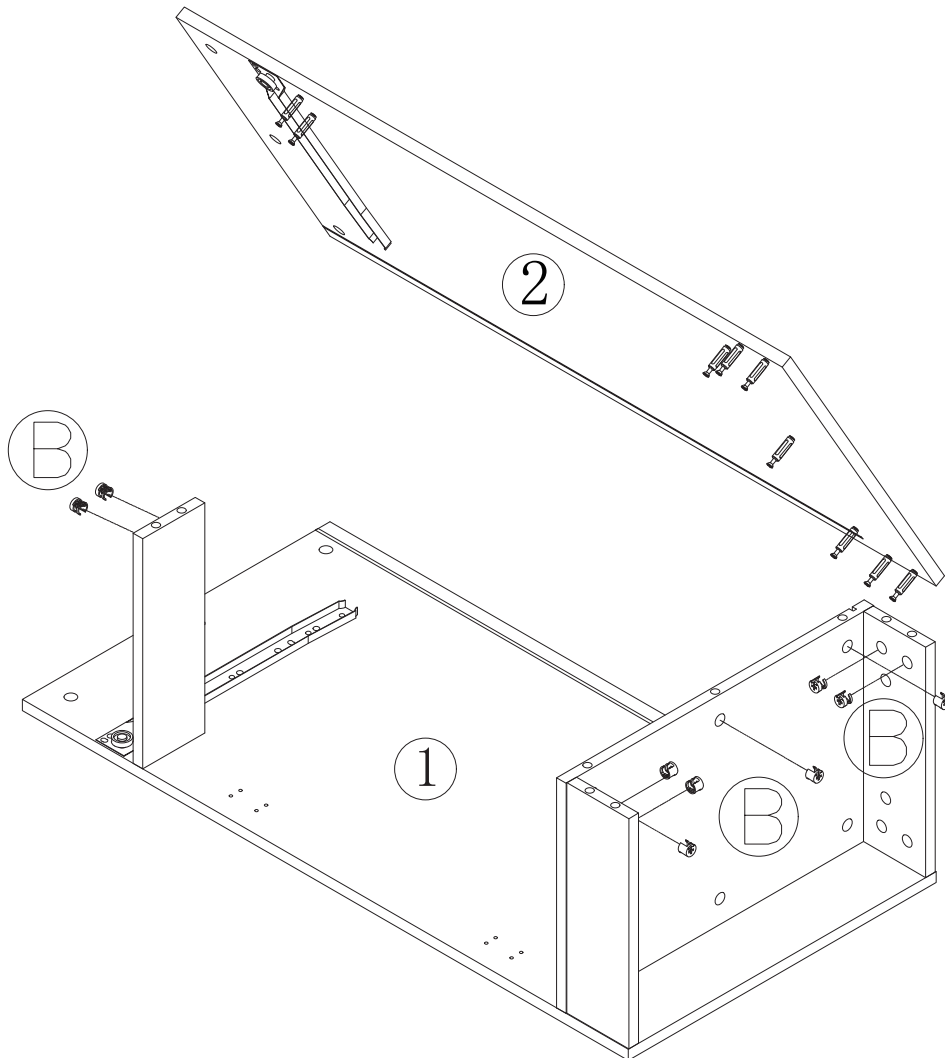
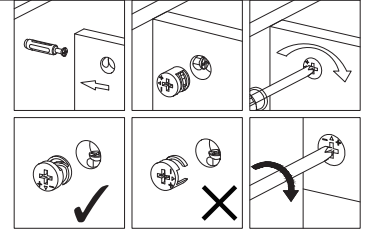
Next, align screw (A) on panel (1) with the holes in panels (4) (5) and (6), and secure them in place using cam lock (B).



13

B x 9  Ø 12 x 10 mm	2 x 1		
--	-------	---	---

Align screw (A) on panel (2) with the holes in the panels (4) (5) and (6) from Step 12.
Cover the panel and secure the screws in place using cam lock (B).



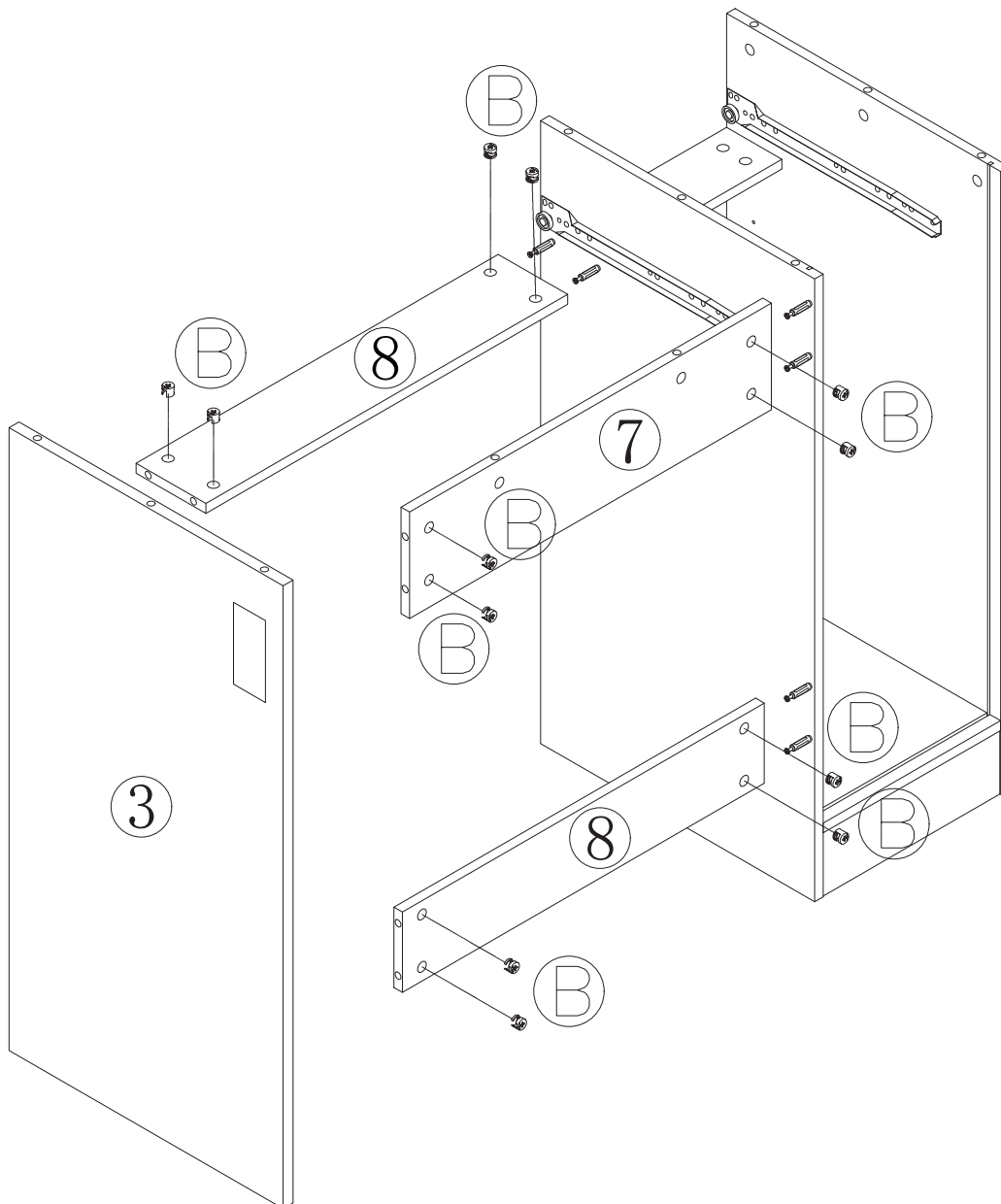
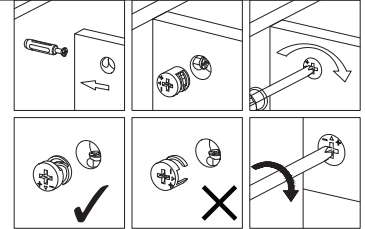


14

 B x 12 Ø 12 x 10 mm	③ x 1 ⑦ x 1	
	⑧ x 2	

Align screw (A) on panel (2) with the holes in panels (7) and (8), secure them in place using cam lock (B).

Then, align screw (A) on panel (3) with the holes in panels (7) and (8), secure them in place using cam lock (B).



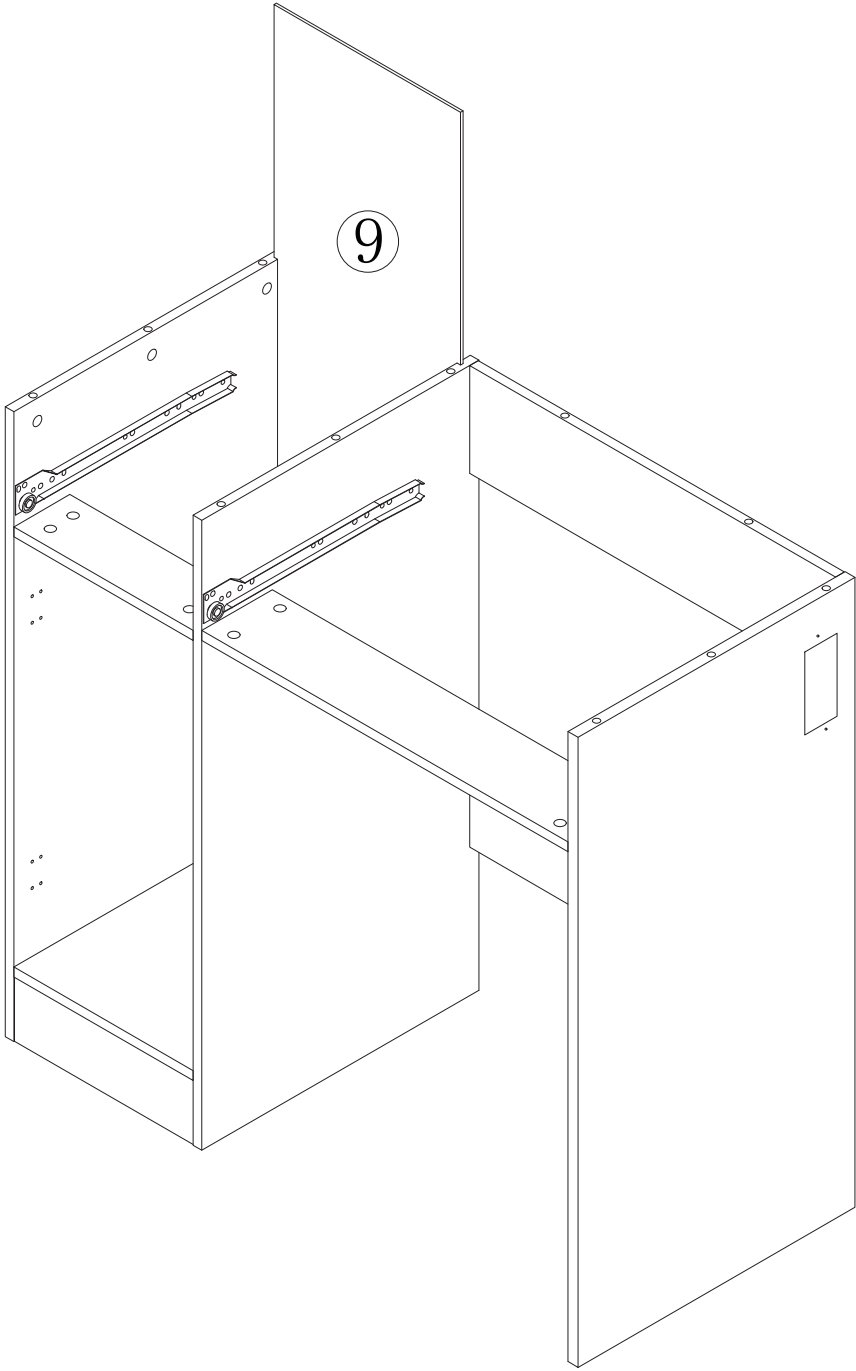


15

9 x 1



Refer to the diagram and slide panel (9) into the the parts assembled in Step 14.

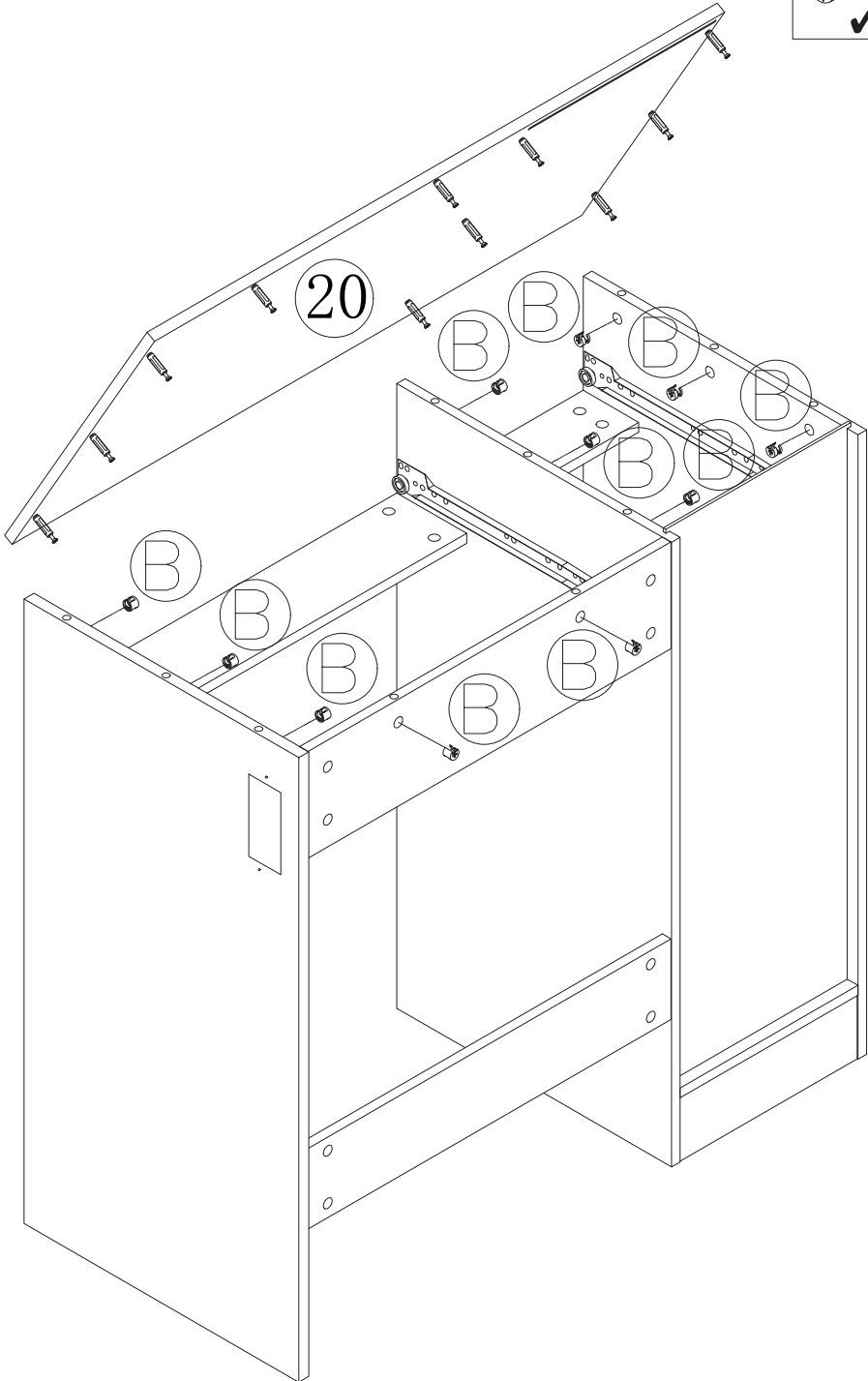
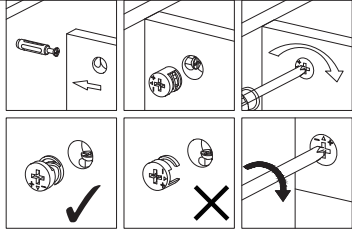




16

B x 11  Ø12 x 10 mm	20 x 1		
--	--------	---	---

Align screw (A) on panel (20) with the holes shown in the illustration.
Cover the panel and secure the screws in place using cam lock (B).

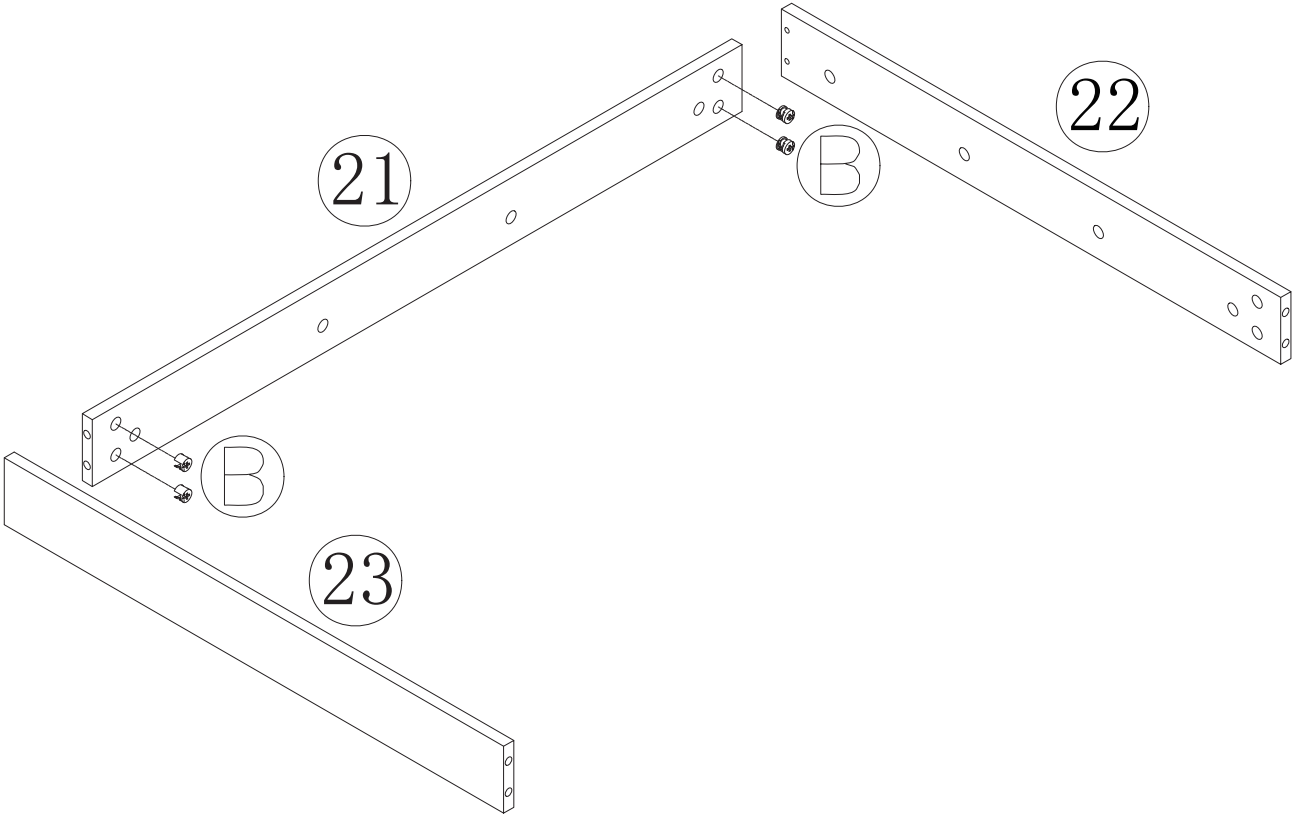
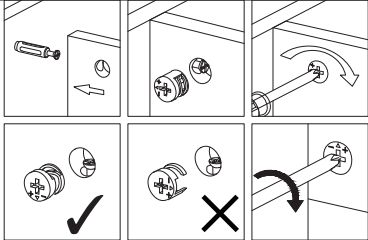




17

B x 4	(21) x 1	(22) x 1		
 Ø 12 x 10 mm	(23) x 1			

Align screws (A) on panels (22) and (23) with the holes in panel (21).
Secure them in place using cam lock (B).

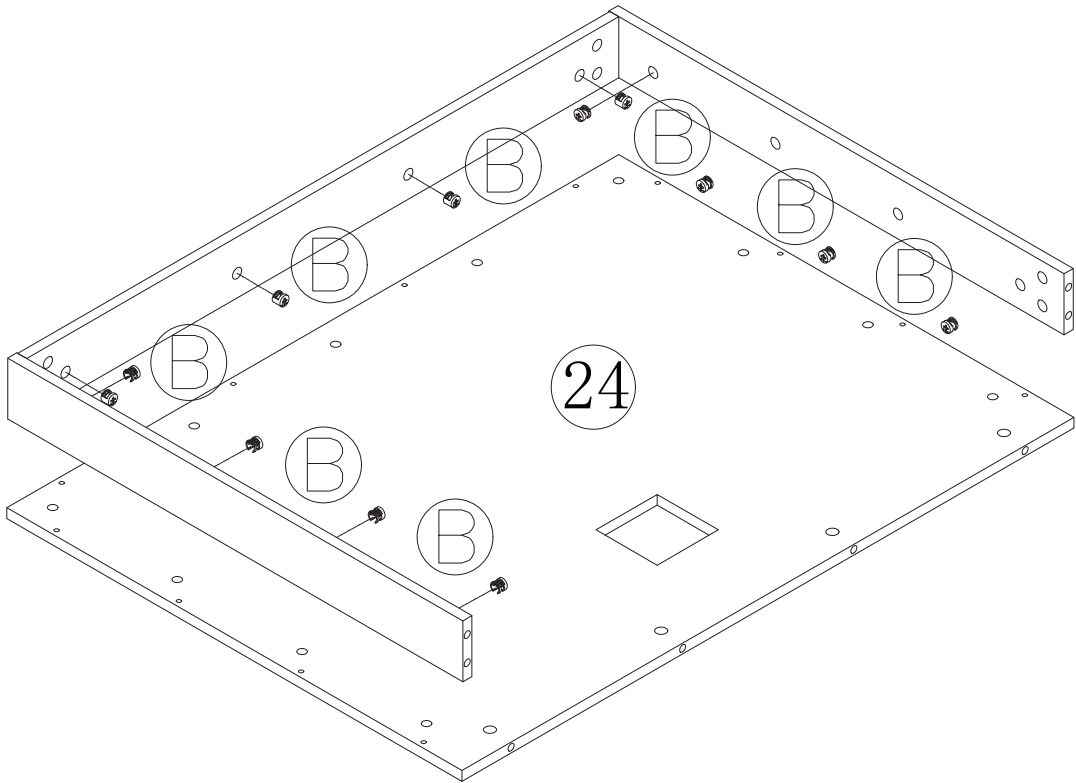
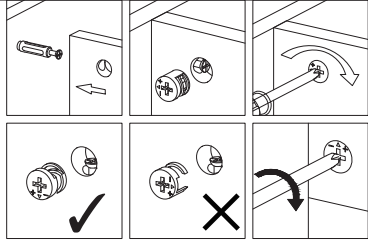




18

B x 12  Ø 12 x 10 mm	24 x 1		
---	--------	---	---

Align screw (A) on panel (24) with the holes in the panels (21) (22) and (23).
Secure them in place using cam lock (B).

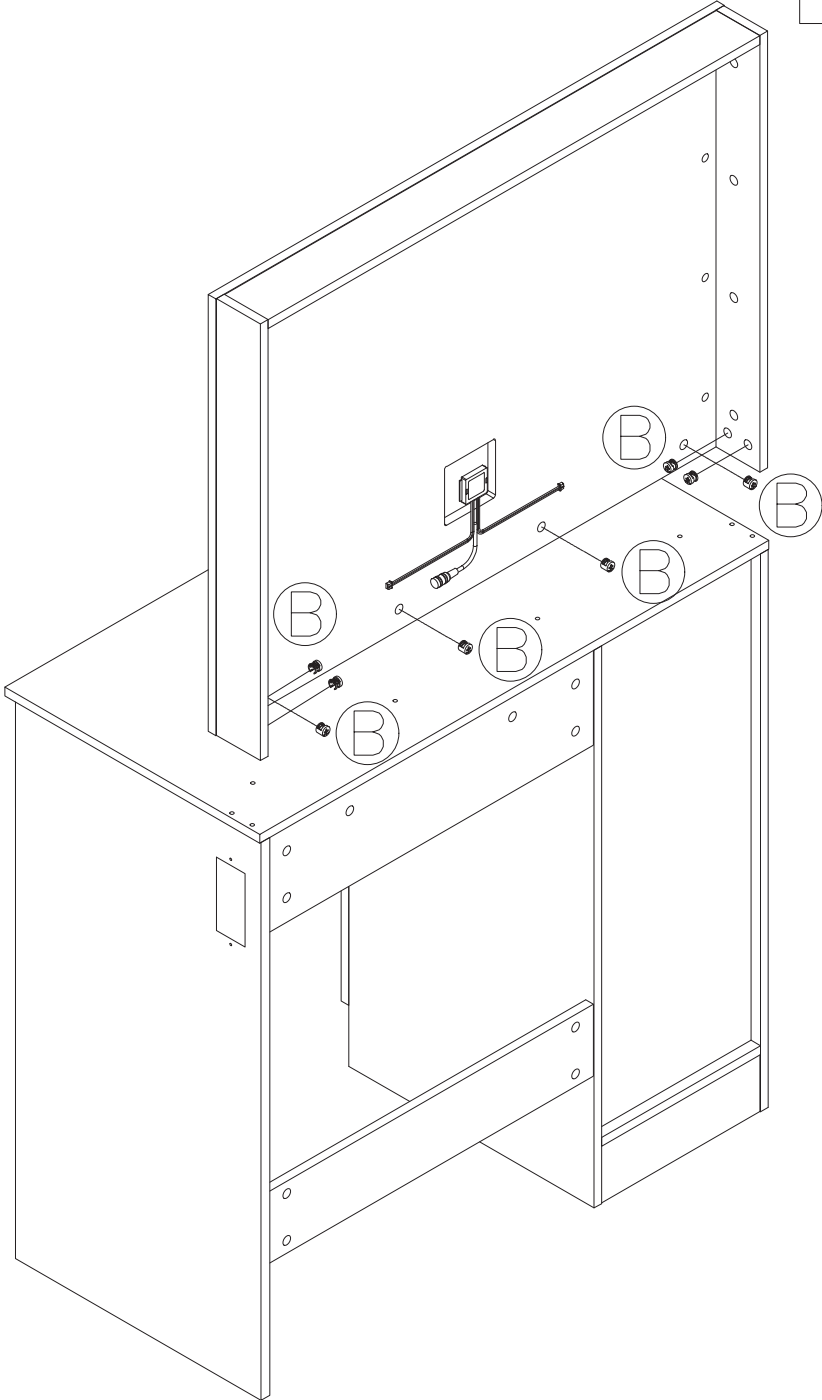
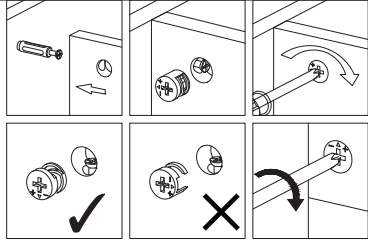




19

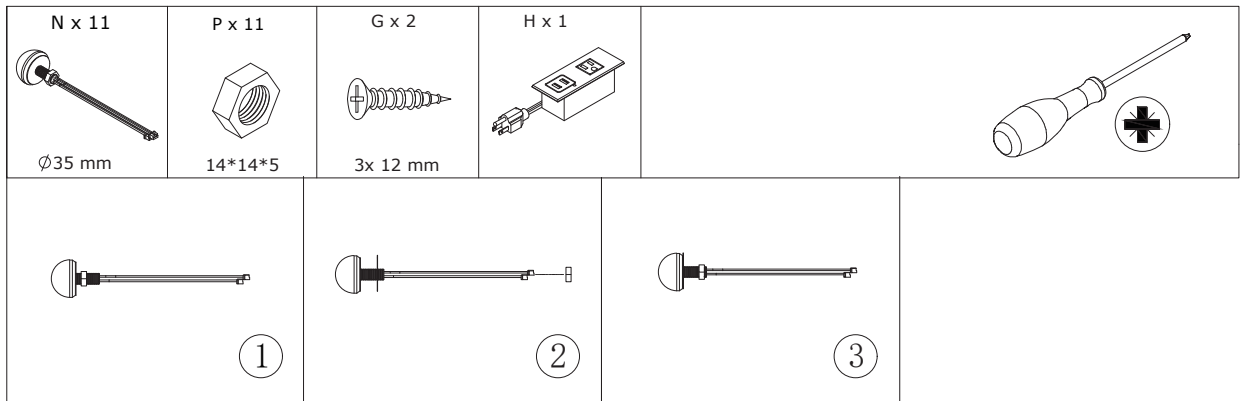
<p>B x 8</p>  <p>Ø 12 x 10 mm</p>	 
--	---

Align screw (A) on panel (20) with the holes in the panels (22) (23) and (24) from Step 18. Insert them and secure with cam lock (B) in the corresponding position.

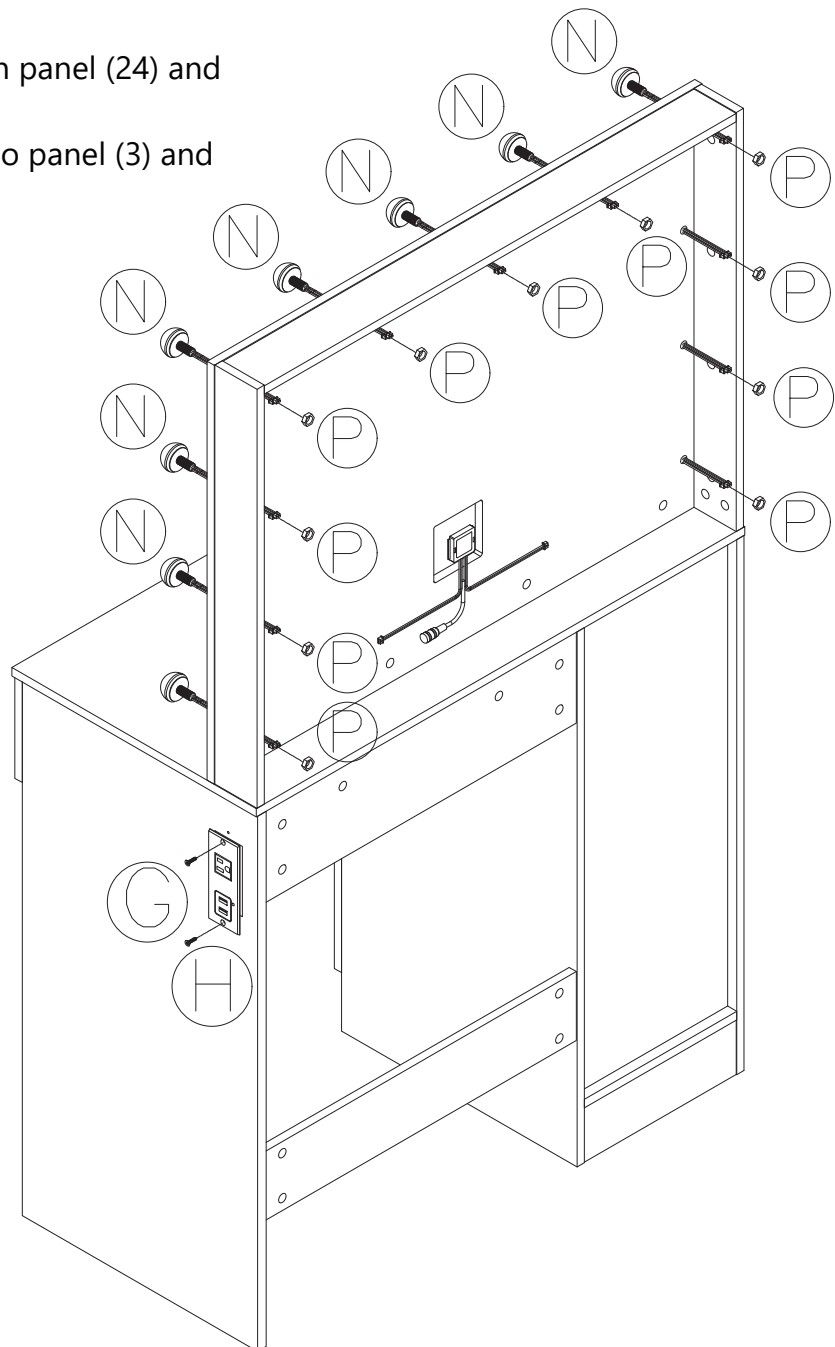




20

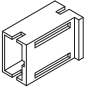



Insert bulb (N) into the hole on panel (24) and secure it with nut (P).
Next, install power strip (H) into panel (3) and secure it with screw (G).



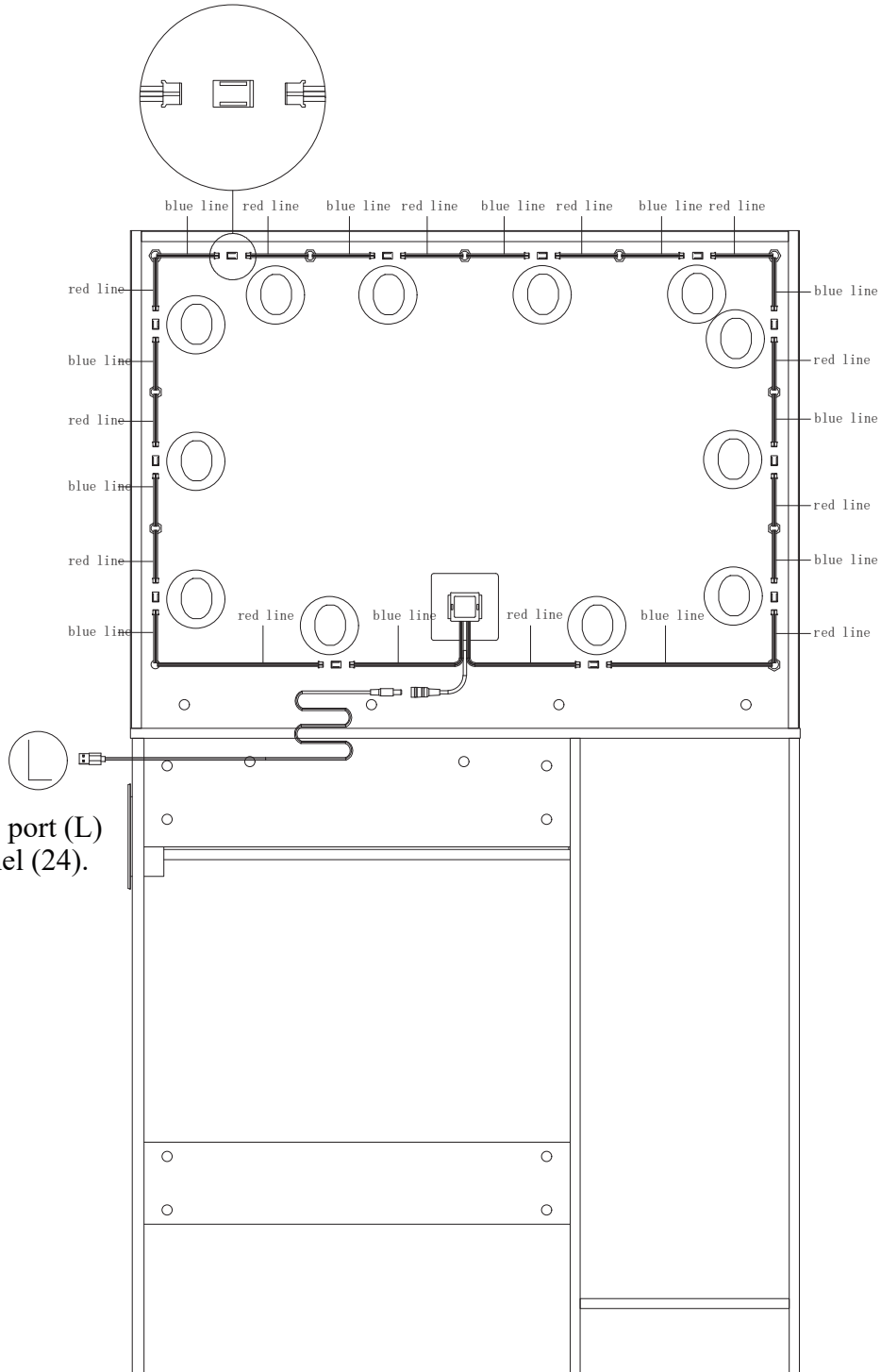


21

<p>O x 12 12*8*6</p> 	<p>L x 1 USB Line</p> 	
--	---	--

Connect the red wire and the blue wire on panel (24), and secure them with part (O).

Note: Wires of the same color must not be connected!

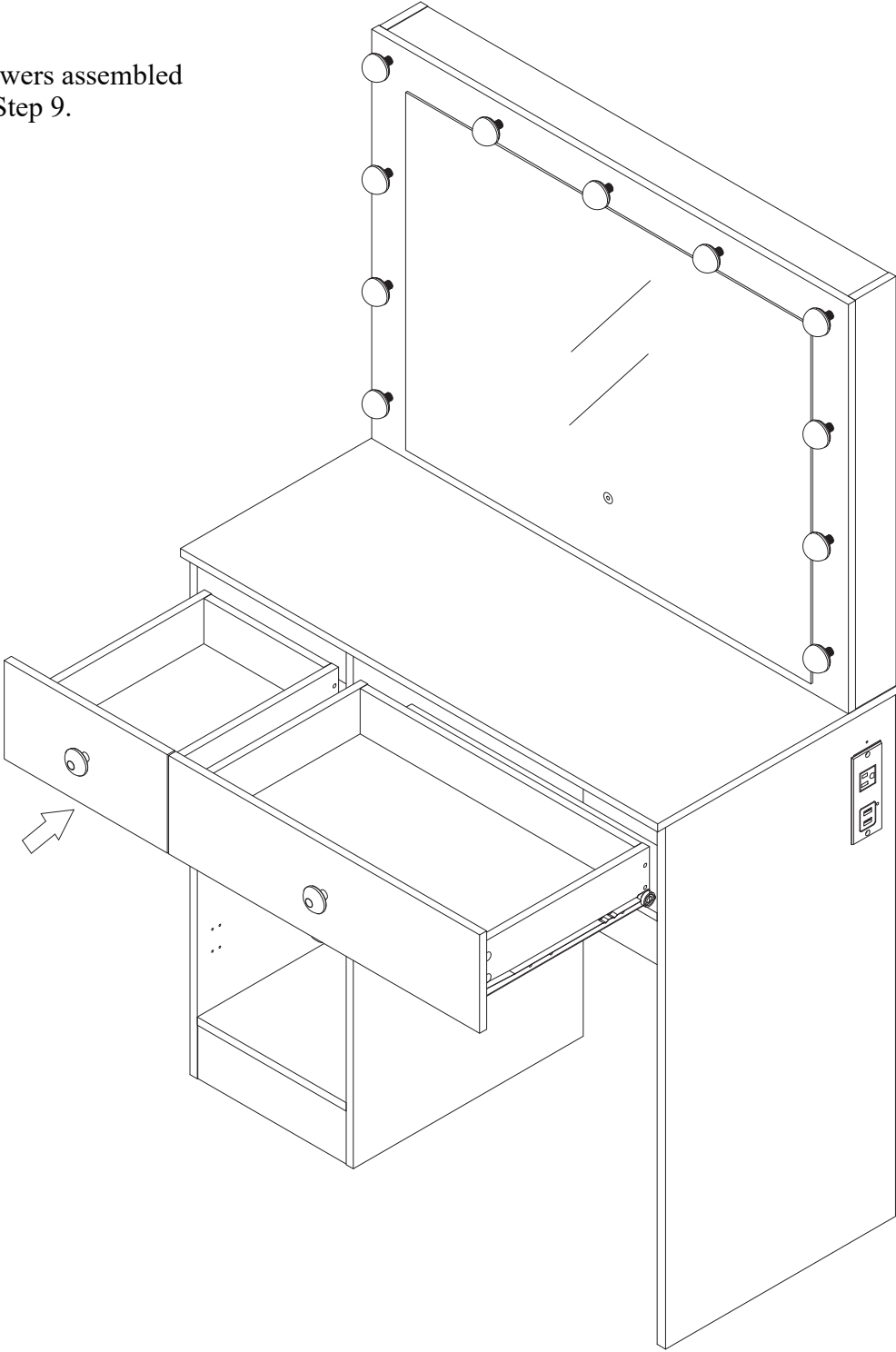


Connect the USB port (L) to the port on panel (24).



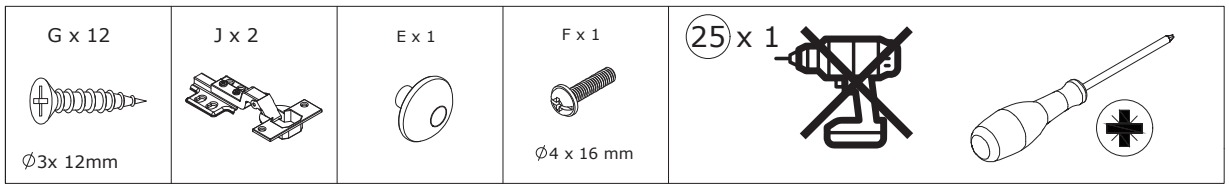
22

Insert the 2 drawers assembled in Step 7 and Step 9.



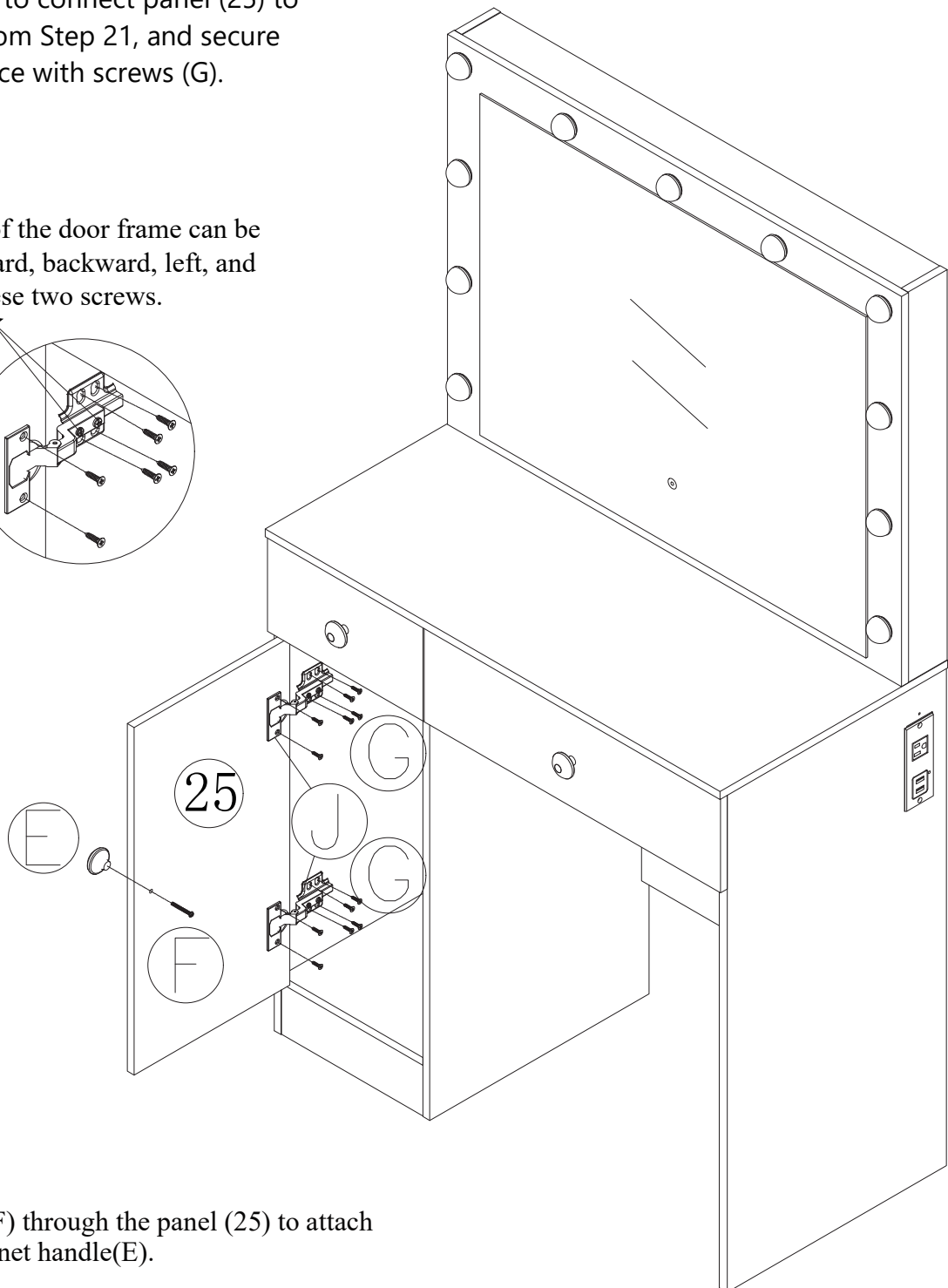
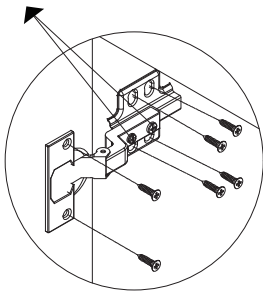


23



Use part (J) to connect panel (25) to panel (1) from Step 21, and secure them in place with screws (G).

The position of the door frame can be adjusted forward, backward, left, and right using these two screws.

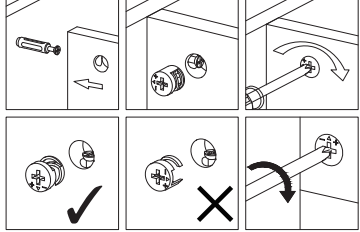


Pass screw (F) through the panel (25) to attach with the cabinet handle(E).

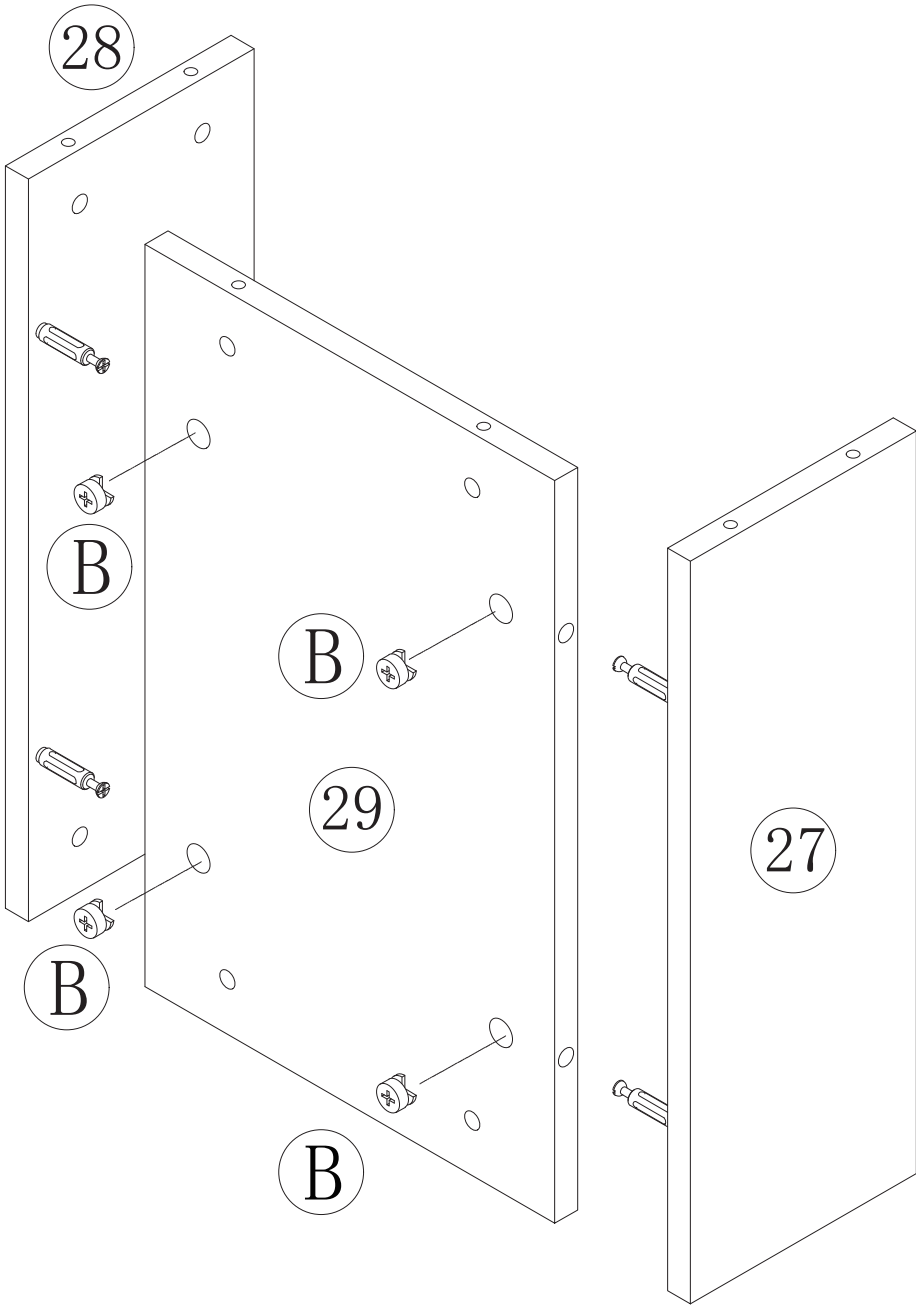


24

B x 4 Ø 12 x 10 mm	(27) x 1 (28) x 1		
	(29) x 1		

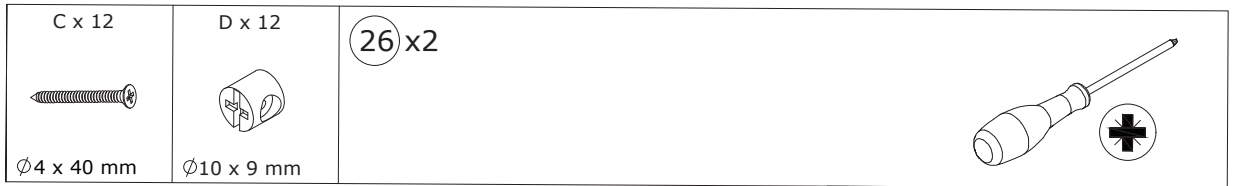


Align screw (A) on panels (27) and (28) with the holes in panel (29) and secure them in place using cam lock (B)

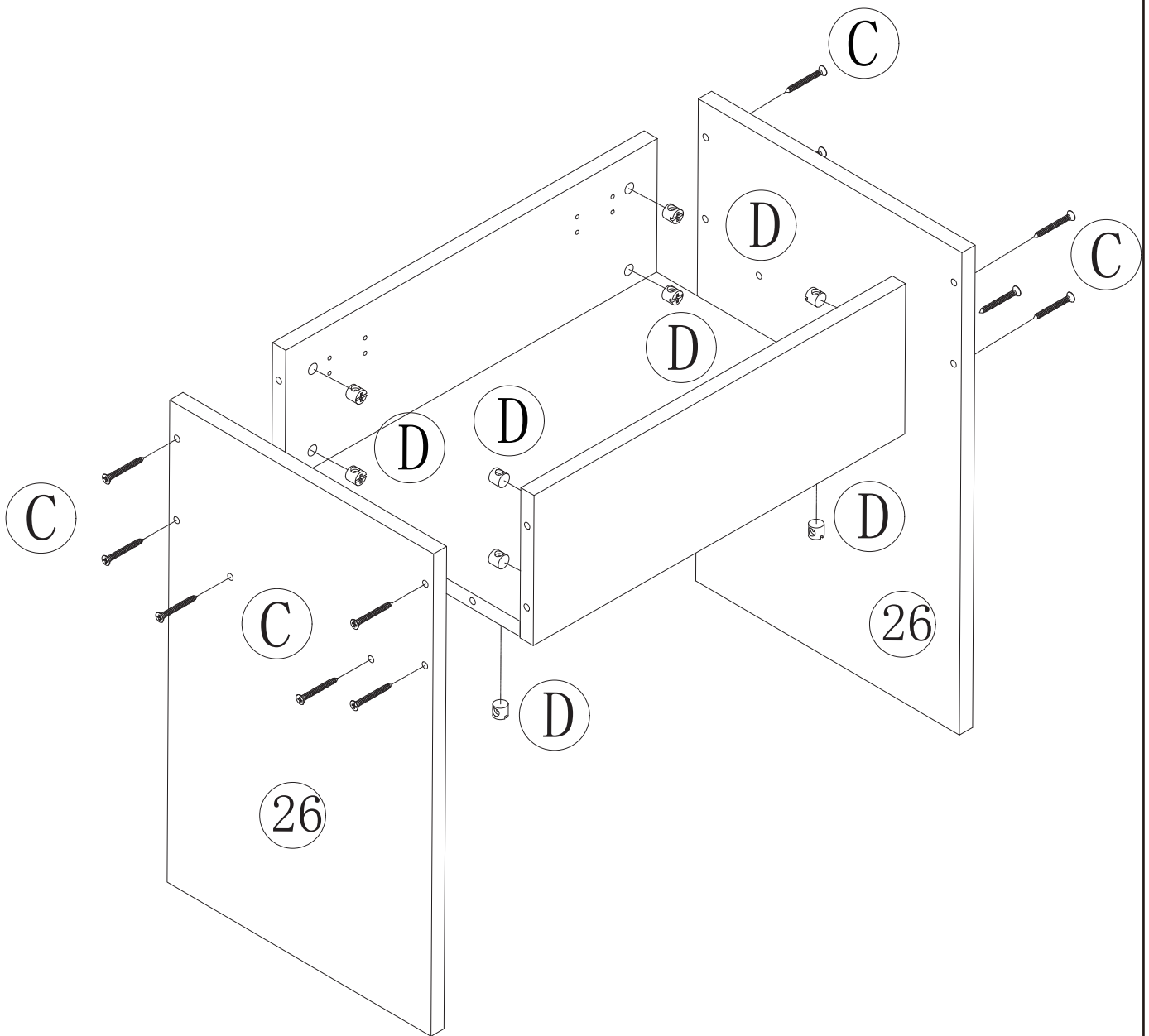
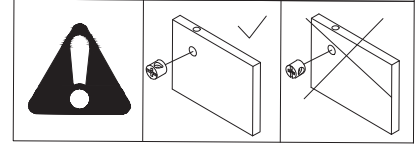




25

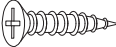
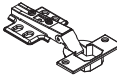
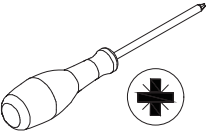



Insert part (D) into panels (27), (28), and (29).
 Use screw (C) to pass through the hole in panel (26) and insert it into panels (27), (28), and (29), securing it with part (D).

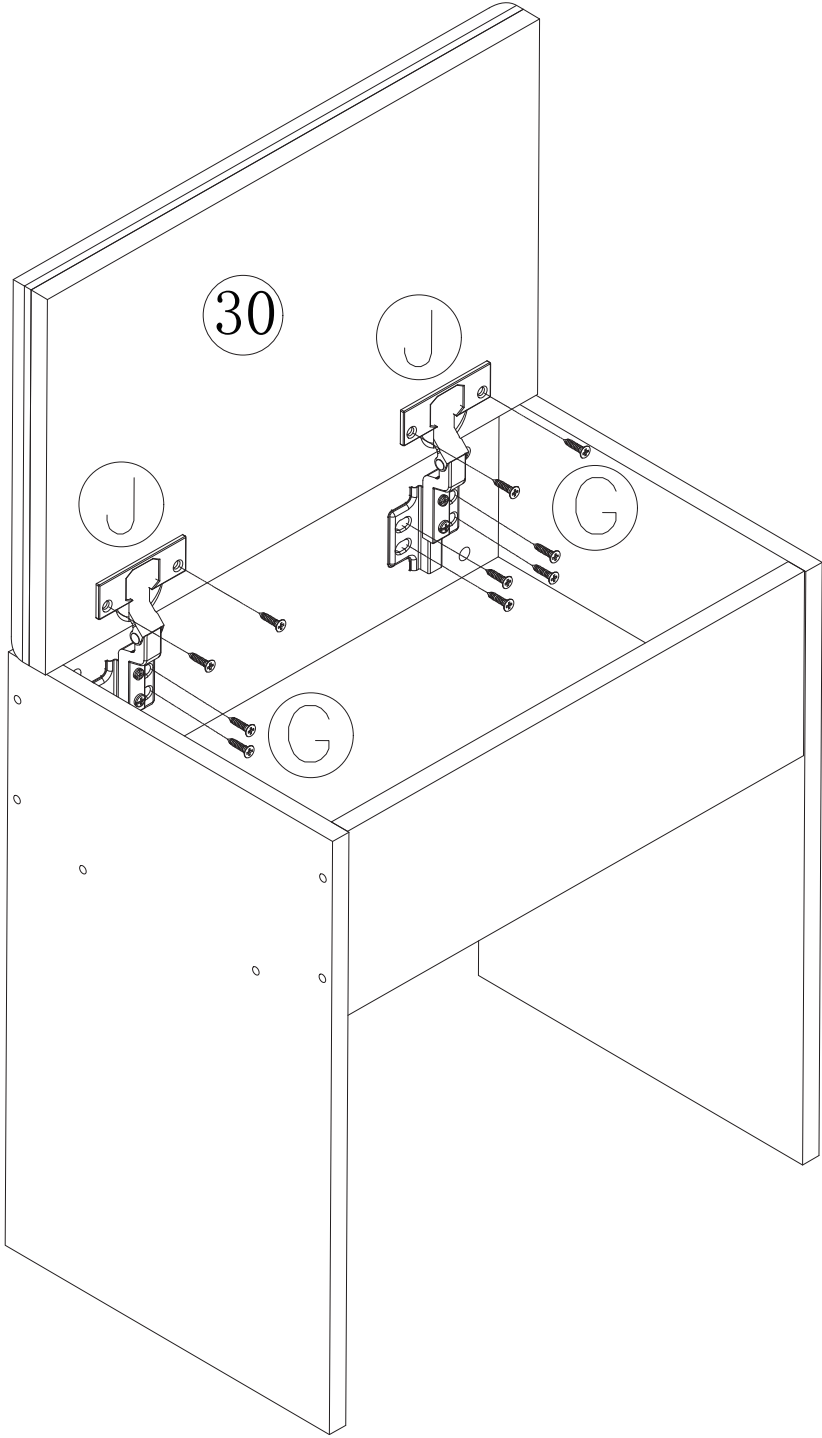




26

<p>G x 12</p>  <p>Ø3x 12mm</p>	<p>J x 2</p> 	<p>30 x 1</p>	 
---	--	---------------	---

Use part (J) to connect cushion (30) to the assembly from Step 26, and secure it in place with screws (G).

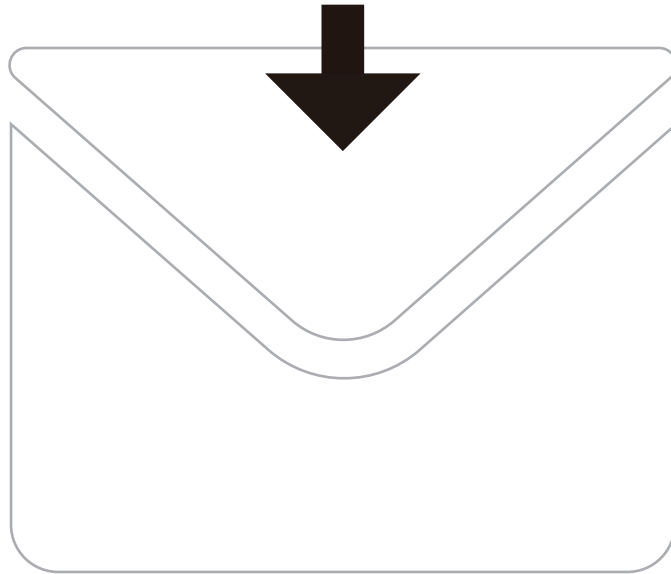


- **Usage of touch sensitive light strip**
- **Three-color switching + stepless dimming**
- **Turn it on for white light, click again for warm light, and click for the third time for neutral light;**

you can long press stepless dimming under different colors of lights.

- Turn on for white light and long press for dimming
- Click again for warm light and long press for dimming
- Third click for neutral light and long press for dimming
- Last click to turn off the light





We' d Love to hear from you!

Thank you for your purchase of our product!
If you encounter any problems, please give us an opportunity to improve your experience right away, our team members are more than happy to help.

haewonservice@163.com

We also welcome you to post a product review so that others could benefit from your experience. Thanks again for your support, feedback and time.