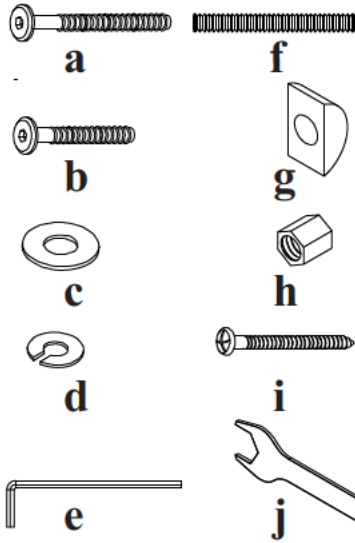


## Assembly Instruction

### A. Components :

- | 1. Sleigh Headboard (HB Only) | : 1 Pc   |
|-------------------------------|----------|
| 2. Sleigh Storage Footboard   | : 1 Pc   |
| 3. HB Legs                    | : 2 Pcs  |
| 4. Stretcher                  | : 1 Pc   |
| 5. Sleigh Rails               | : 2 Pcs  |
| 6. Slat                       | : 15 Pcs |
| 7. Slat Support               | : 3 Pcs  |

Qty



### B. Hardware :

- | a. Bolt M6 x 50mm  | : 8 Pcs  |
|--------------------|----------|
| b. Bolt M6 x 40mm  | : 2 Pcs  |
| c. Flat Washer     | : 10 Pcs |
| d. Lock Washer     | : 10 Pcs |
| e. Allen Key       | : 1 Pc   |
| f. Bolt M8 x 100   | : 8 Pcs  |
| g. Halfmoon Washer | : 8 Pcs  |
| h. Hexa Nut        | : 8 Pcs  |
| i. Screw           | : 8 Pcs  |
| j. Hexa Wrench     | : 1 Pc   |

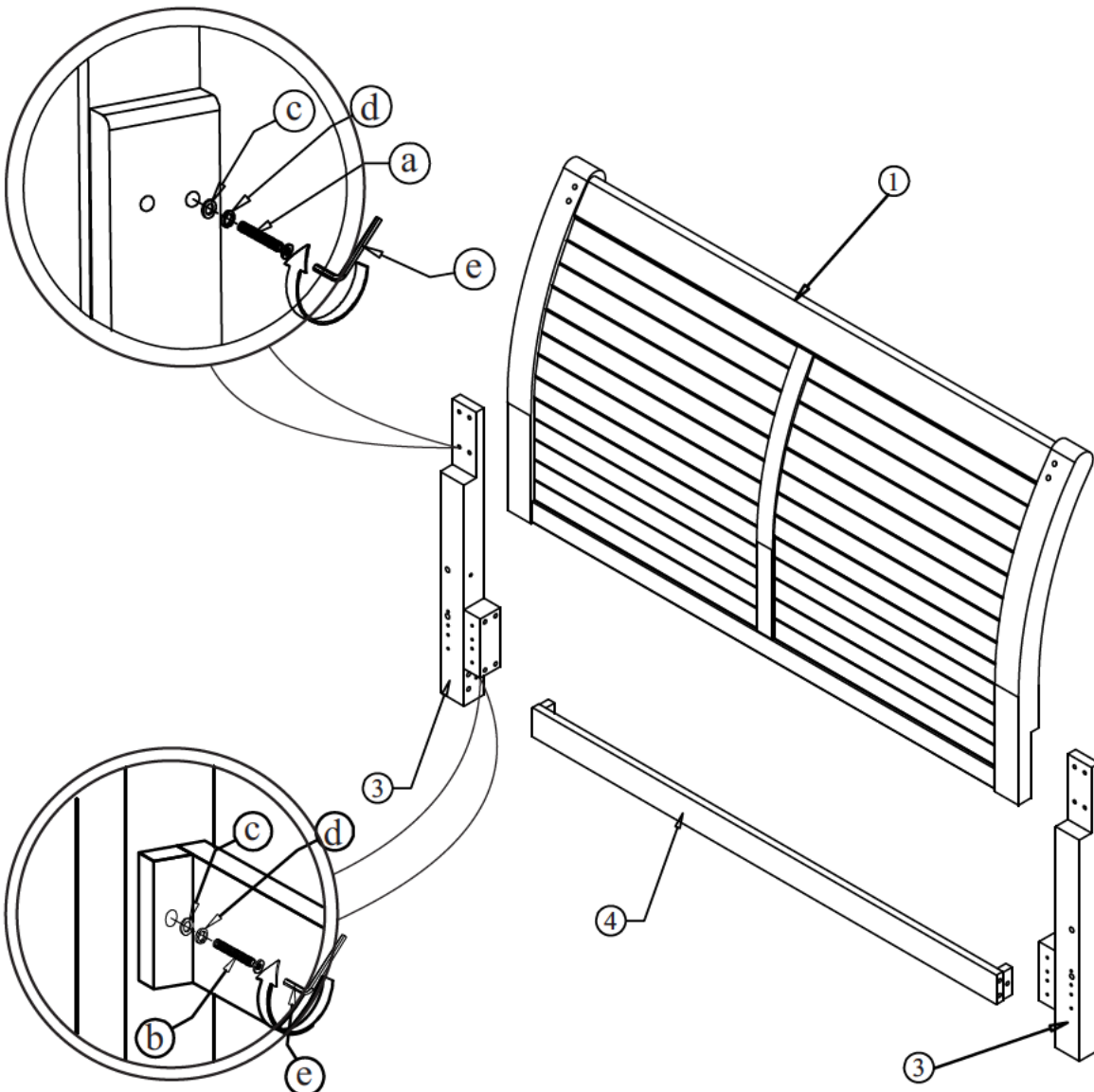
Qty

### C. Tool Required

- Screw Driver (not included)

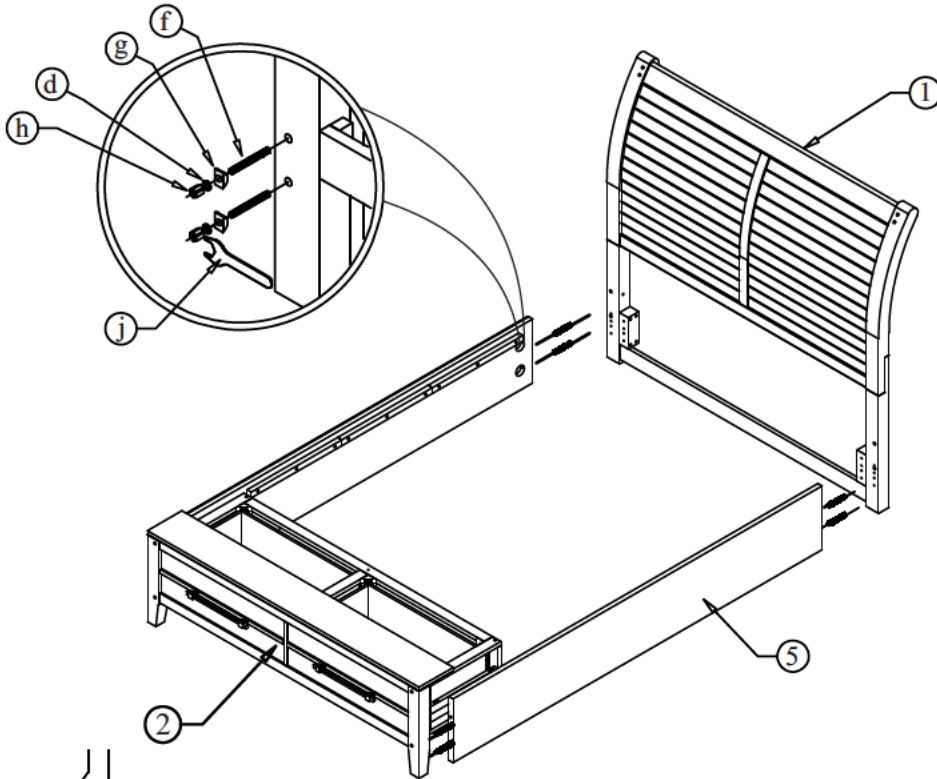


### STEP - 1

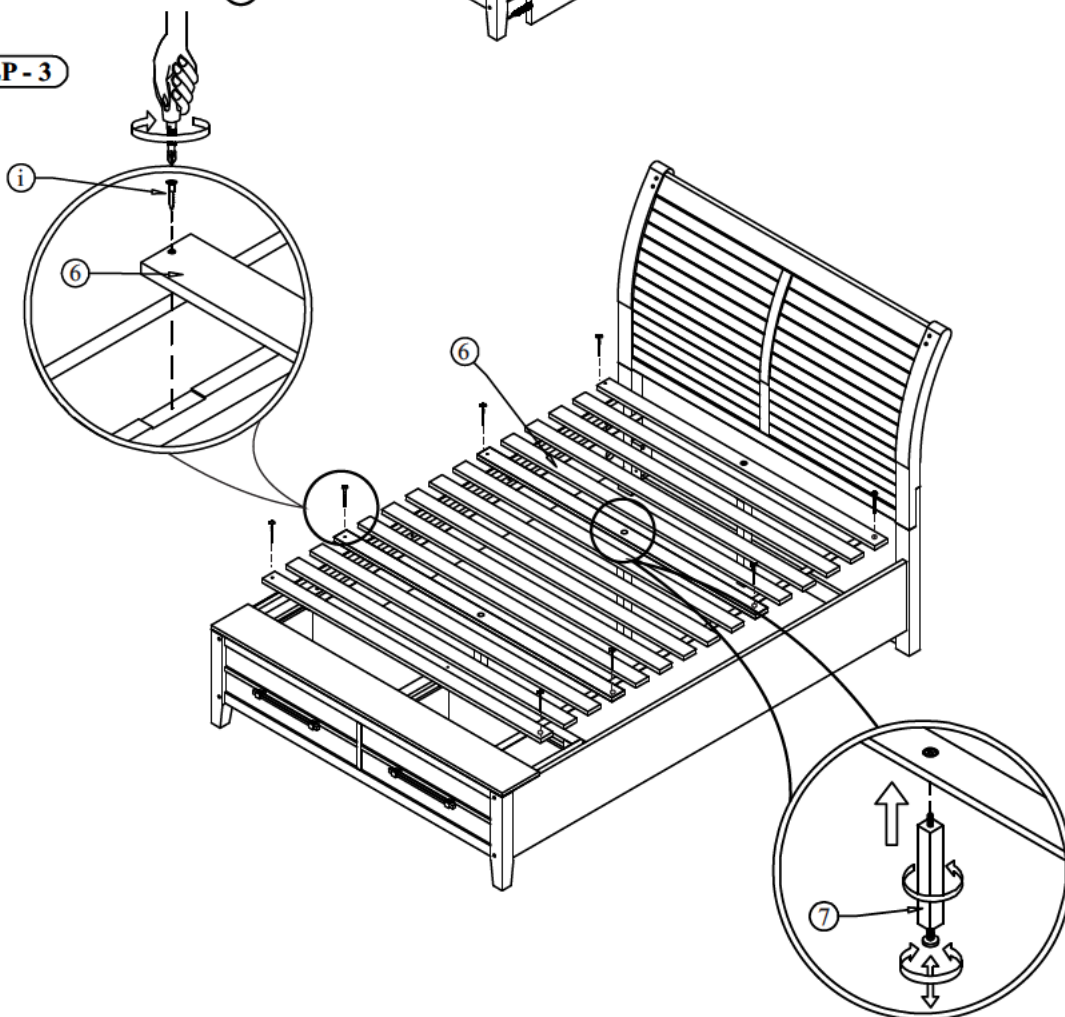


# Assembly Instruction

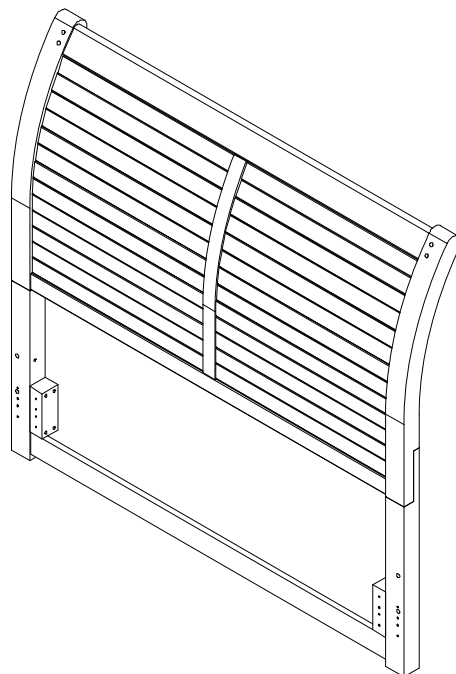
## STEP - 2



## STEP - 3

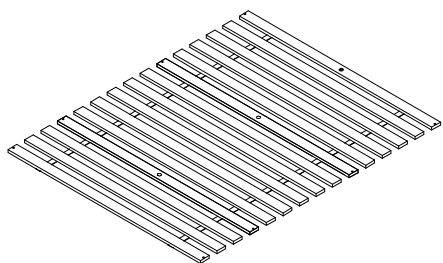


CARTON 1



6/6 Sleigh Headboard (HB Only).....1 Pc

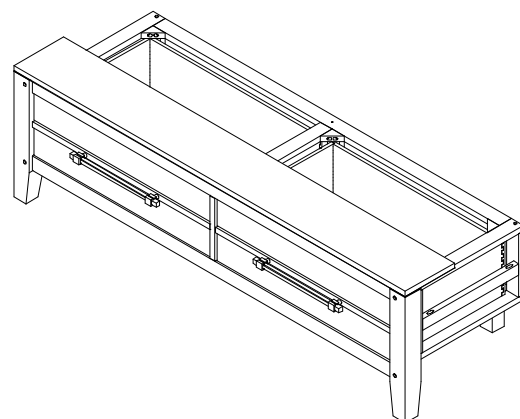
CARTON 2



Slat.....15 Pcs

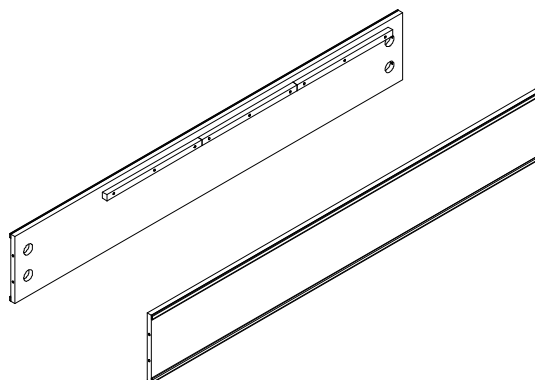


Slat Support.....3 Pcs



6/6 Storage Footboard.....1 Pc

CARTON 3



5/0 6/6 Sleigh Rails.....2 Pcs