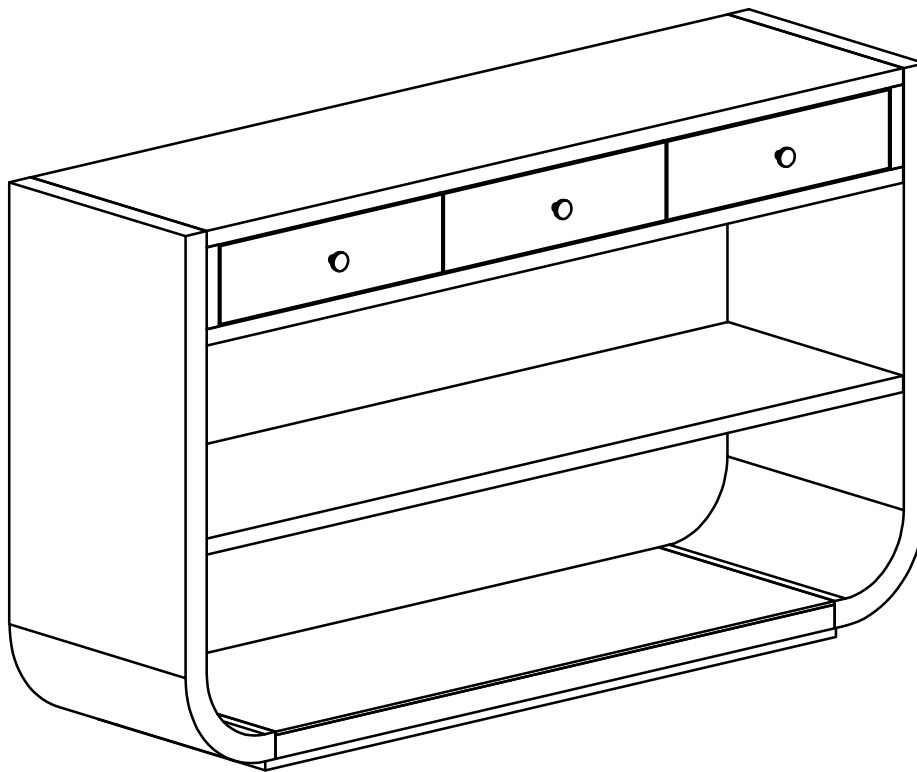
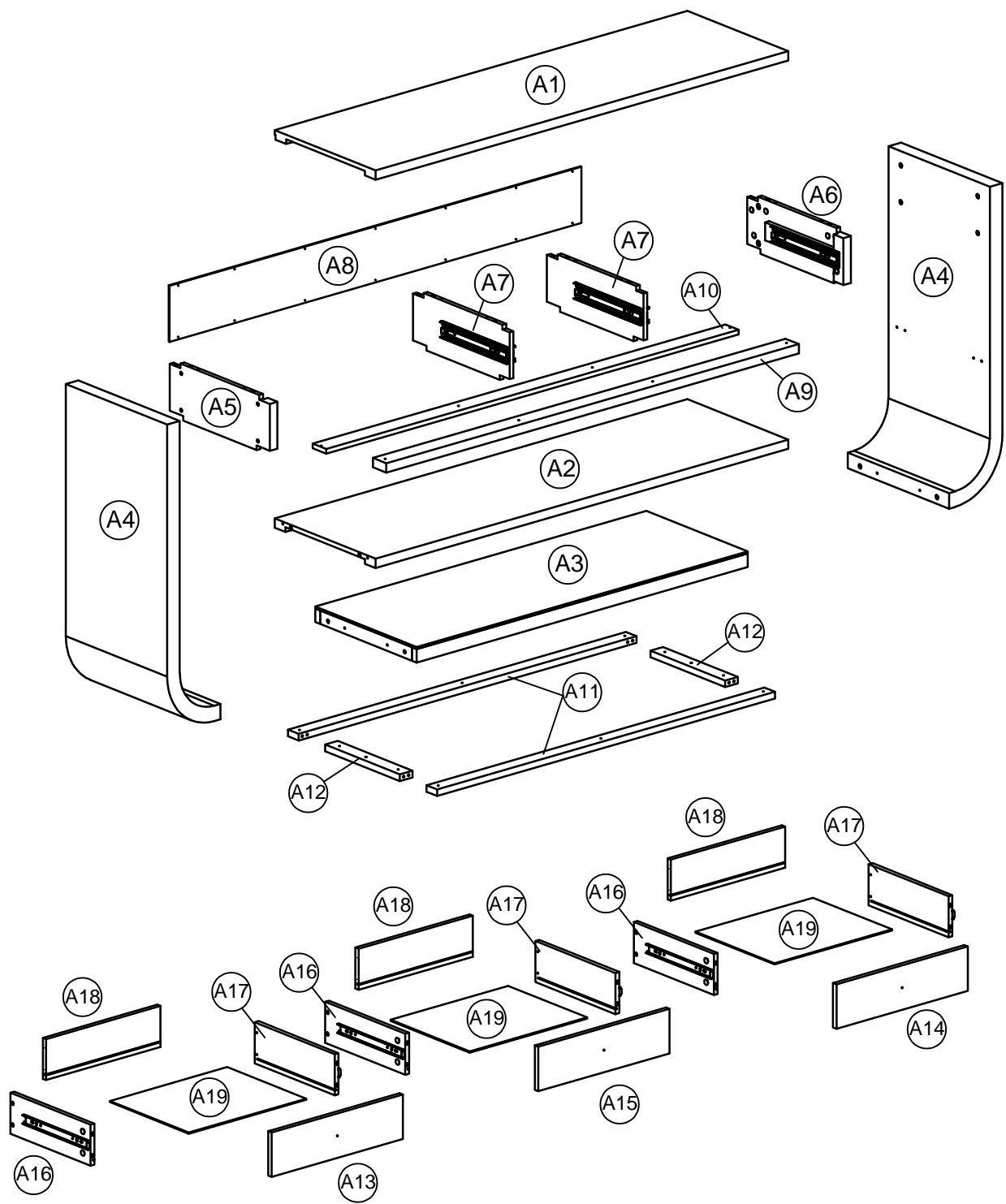


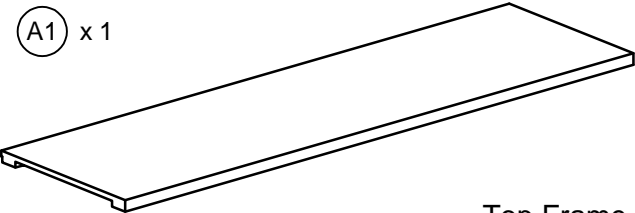
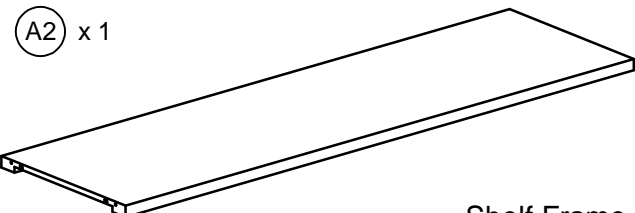
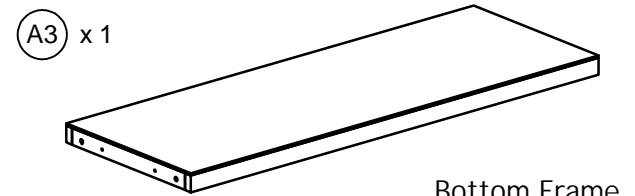
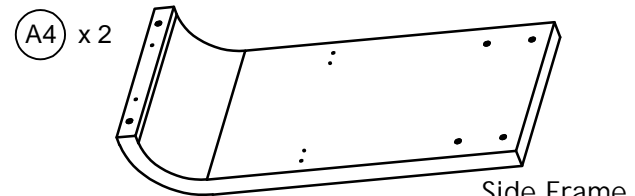
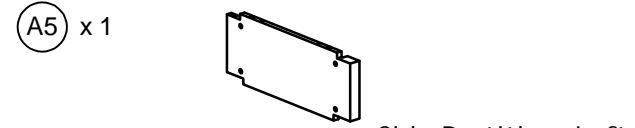
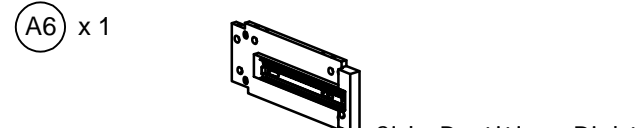
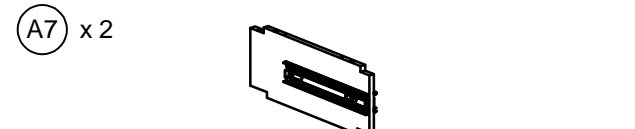

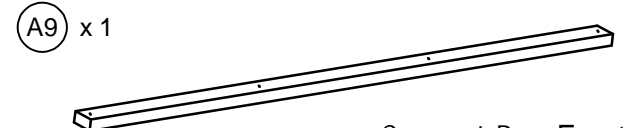

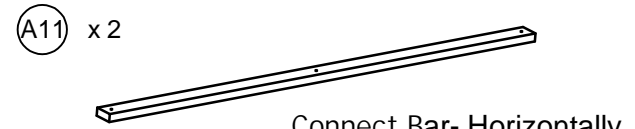
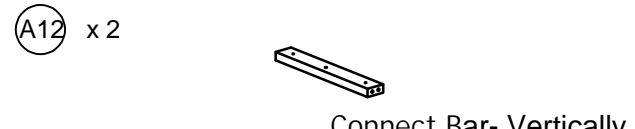
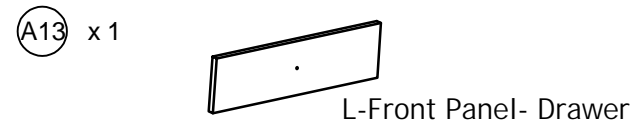
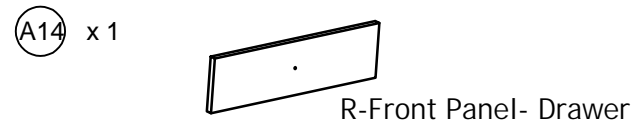
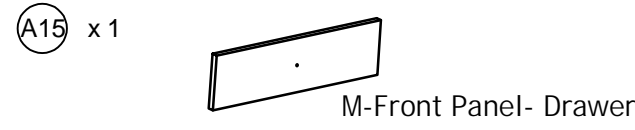
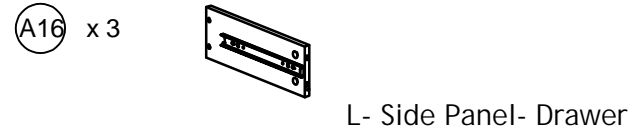
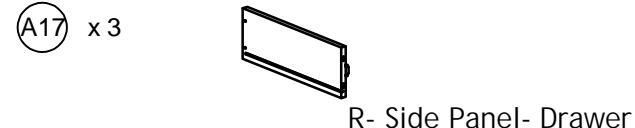
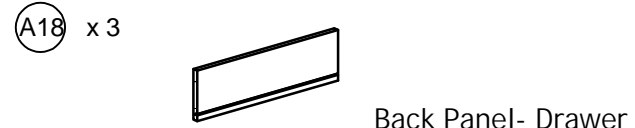
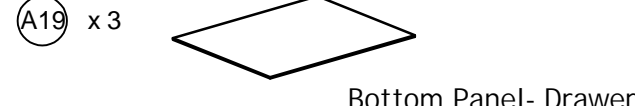
ASSEMBLY INSTRUCTION

Console Table w/3 Drawers





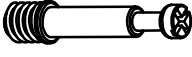











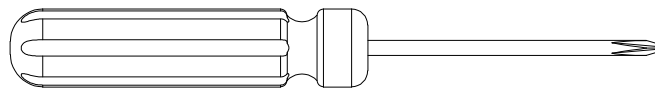
PART LIST

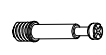
<p>(A1) x 1</p>  <p>Top Frame</p>	<p>(A2) x 1</p>  <p>Shelf Frame</p>
<p>(A3) x 1</p>  <p>Bottom Frame</p>	<p>(A4) x 2</p>  <p>Side Frame</p>
<p>(A5) x 1</p>  <p>Side Partition- Left</p>	<p>(A6) x 1</p>  <p>Side Partition- Right</p>
<p>(A7) x 2</p>  <p>Middle Partition</p>	<p>(A8) x 1</p>  <p>Back Panel</p>
<p>(A9) x 1</p>  <p>Connect Bar- Front</p>	<p>(A10) x 1</p>  <p>Connect Bar- Back</p>
<p>(A11) x 2</p>  <p>Connect Bar- Horizontally</p>	<p>(A12) x 2</p>  <p>Connect Bar- Vertically</p>
<p>(A13) x 1</p>  <p>L-Front Panel- Drawer</p>	<p>(A14) x 1</p>  <p>R-Front Panel- Drawer</p>
<p>(A15) x 1</p>  <p>M-Front Panel- Drawer</p>	<p>(A16) x 3</p>  <p>L- Side Panel- Drawer</p>
<p>(A17) x 3</p>  <p>R- Side Panel- Drawer</p>	<p>(A18) x 3</p>  <p>Back Panel- Drawer</p>
<p>(A19) x 3</p>  <p>Bottom Panel- Drawer</p>	

HARDWARE LIST

<p>A</p>  <p>M4x30mm Wood Screw 11pcs</p>	<p>B</p>  <p>M4x25mm Wood Screw 13pcs</p>	<p>C</p>  <p>M3x15mm Wood Screw 15pcs</p>
<p>D</p>  <p>Ø15x9mm Cam Head 37pcs</p>	<p>E</p>  <p>Ø6x35mm Cam Bridge 37pcs</p>	<p>F</p>  <p>Ø6 x 30 mm Wood dowel 27pcs</p>
<p>G</p>  <p>M6 x 35 mm Bolt 13pcs</p>	<p>H</p>  <p>Ø16/Ø6 mm Flat Washer 5pcs</p>	<p>I</p>  <p>Allen key 1pcs</p>
<p>J</p>  <p>Wood Handle 3pcs</p>	<p>K</p>  <p>M4 x 20 mm Bolt 4pcs</p>	<p>L</p>  <p>Anti-tip 2 set</p>

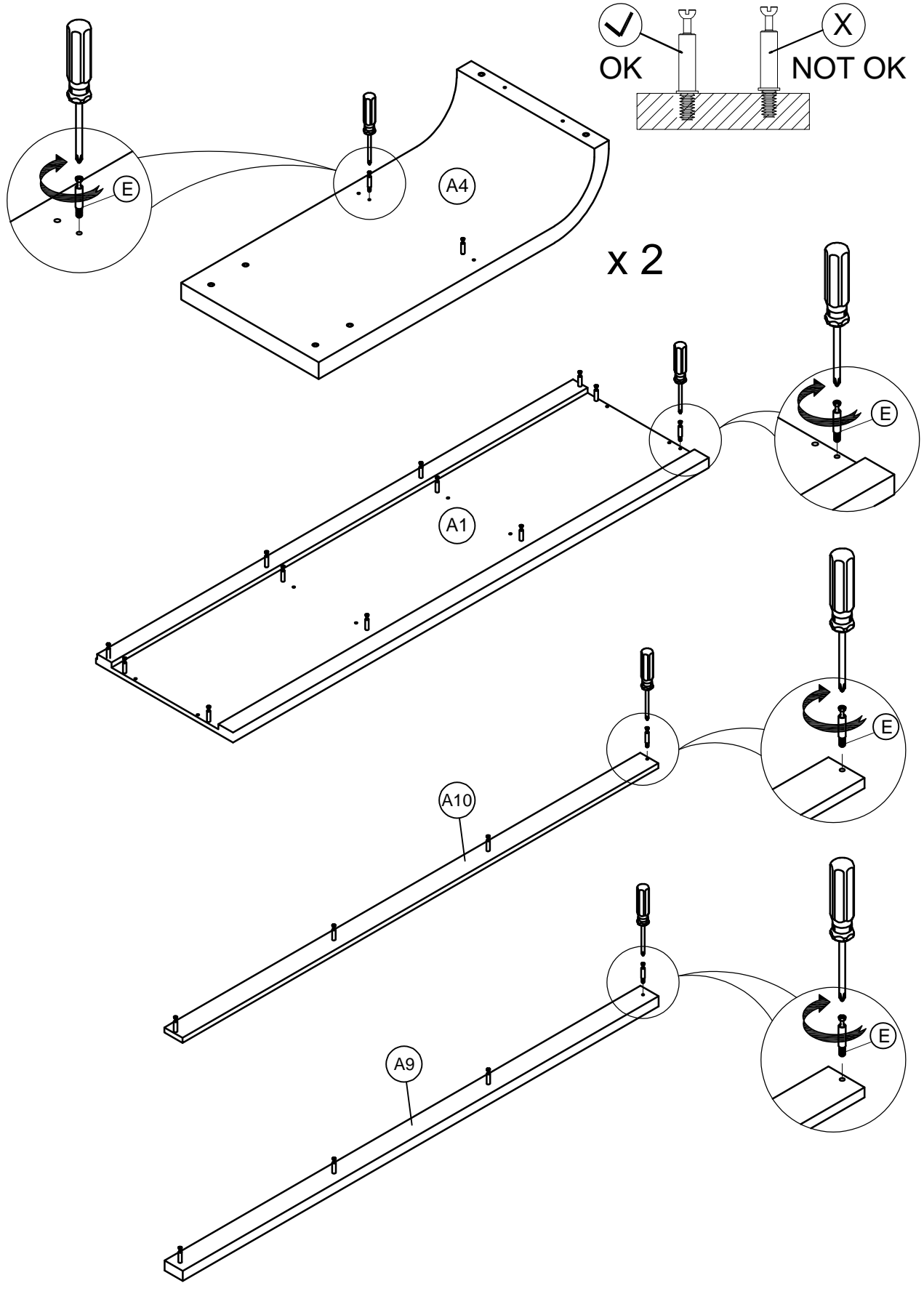
ASSEMBLY TOOLS REQUIRED (NOT INCLUDED)







STEP 1: Following below illustration

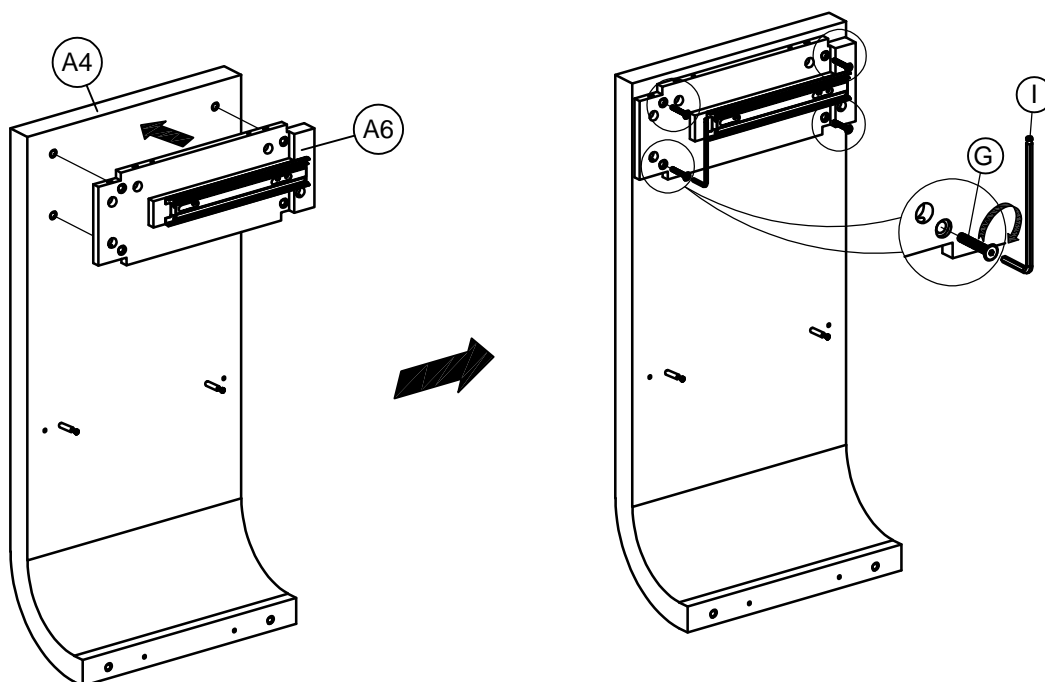
-Using hardware #E assembly into A1, A4, A9 and A10



STEP 2: Following below illustration



-Using hardware #G connect A6 with A4 assembly step 1

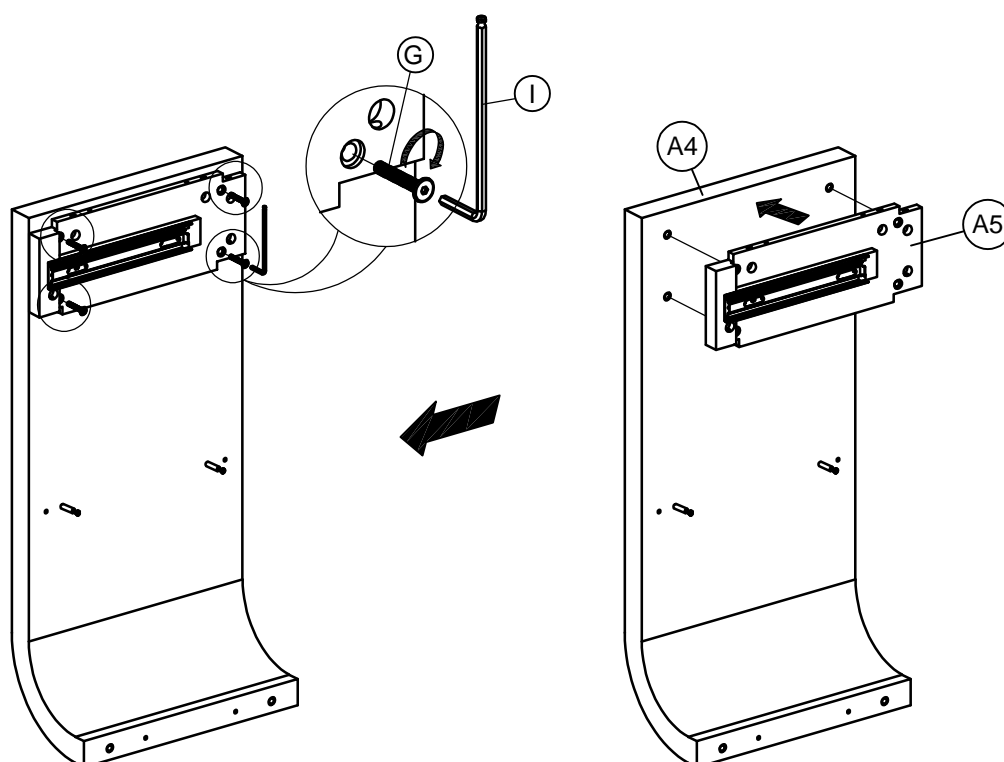
G		4
I		1



STEP 3: Following below illustration

-Using hardware #G connect A5 with A4 assembly step 1



G		4
I		1

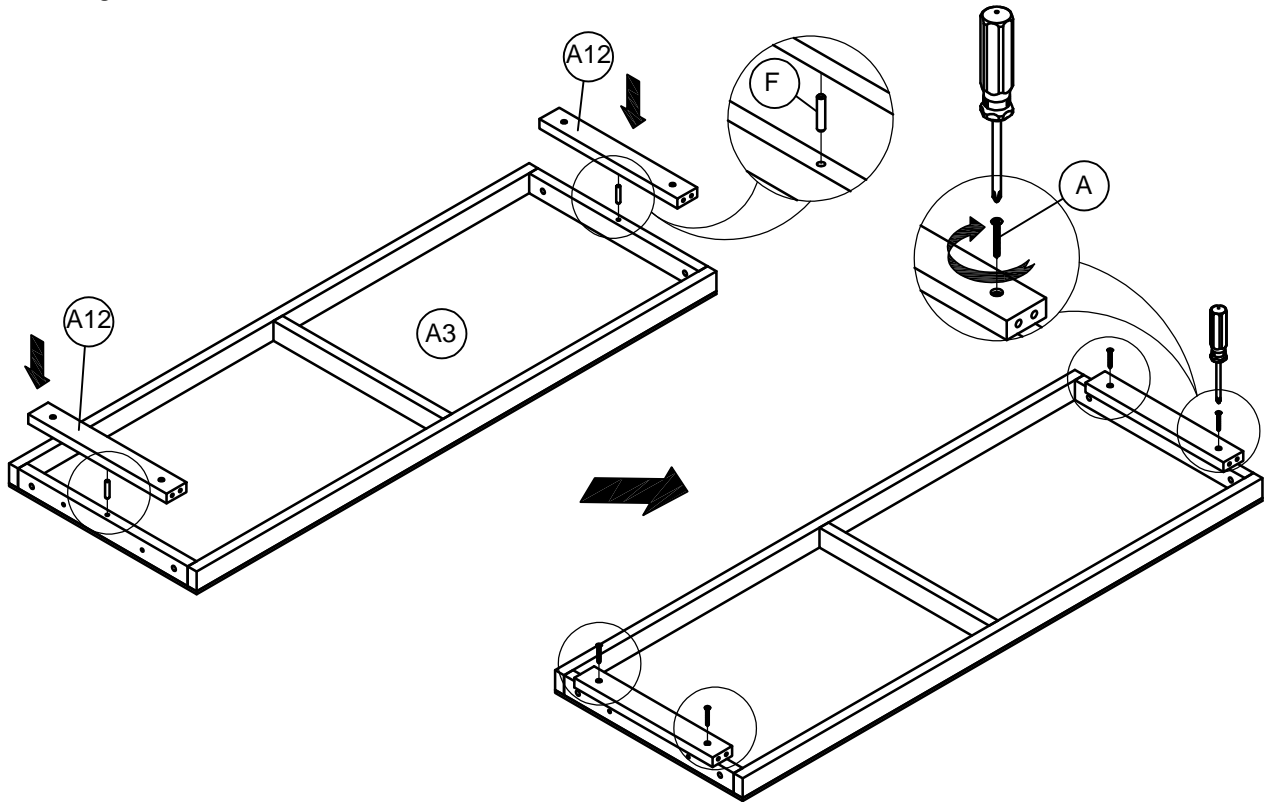


STEP 4:

Following below illustration

-Using hardware #A and #F connect A3 with A12



A		4
F		2

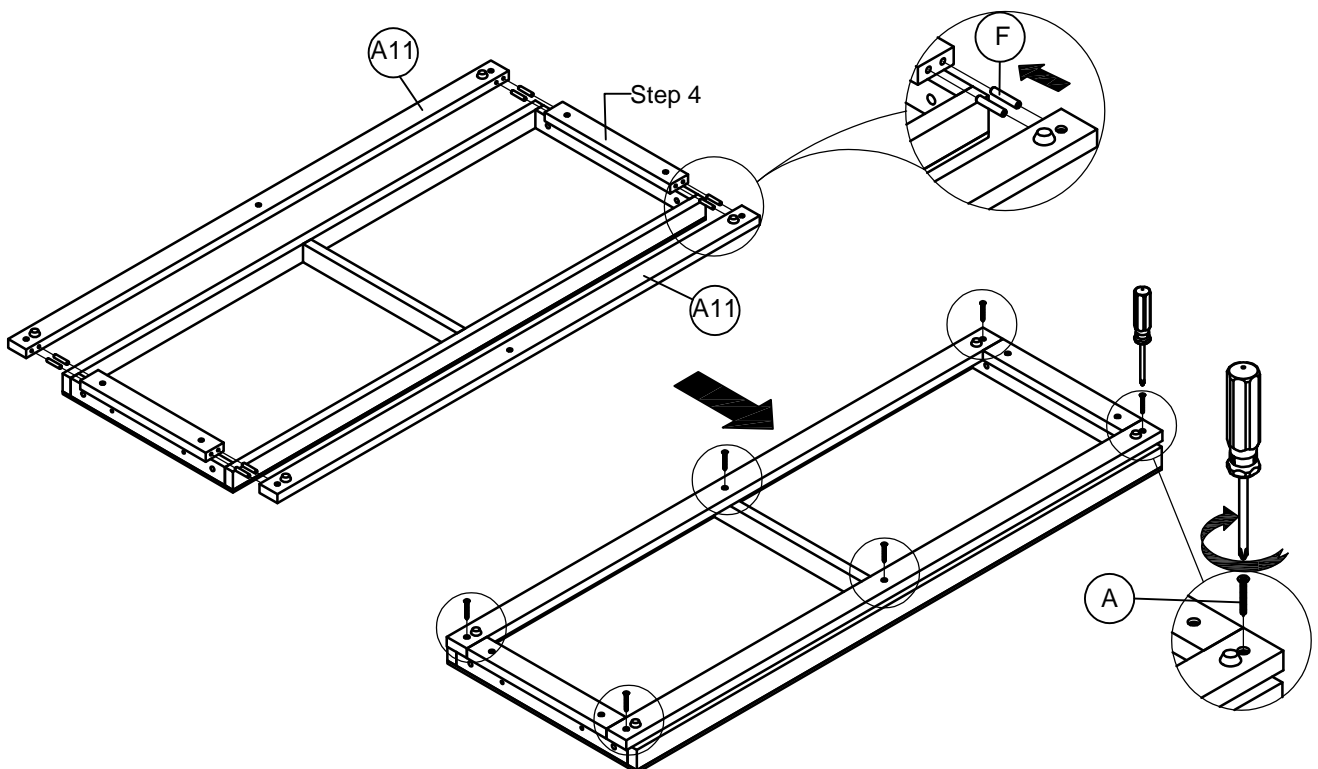


STEP 5:

Following below illustration






-Using hardware #A and #F connect A11 with A12 assembly step 4

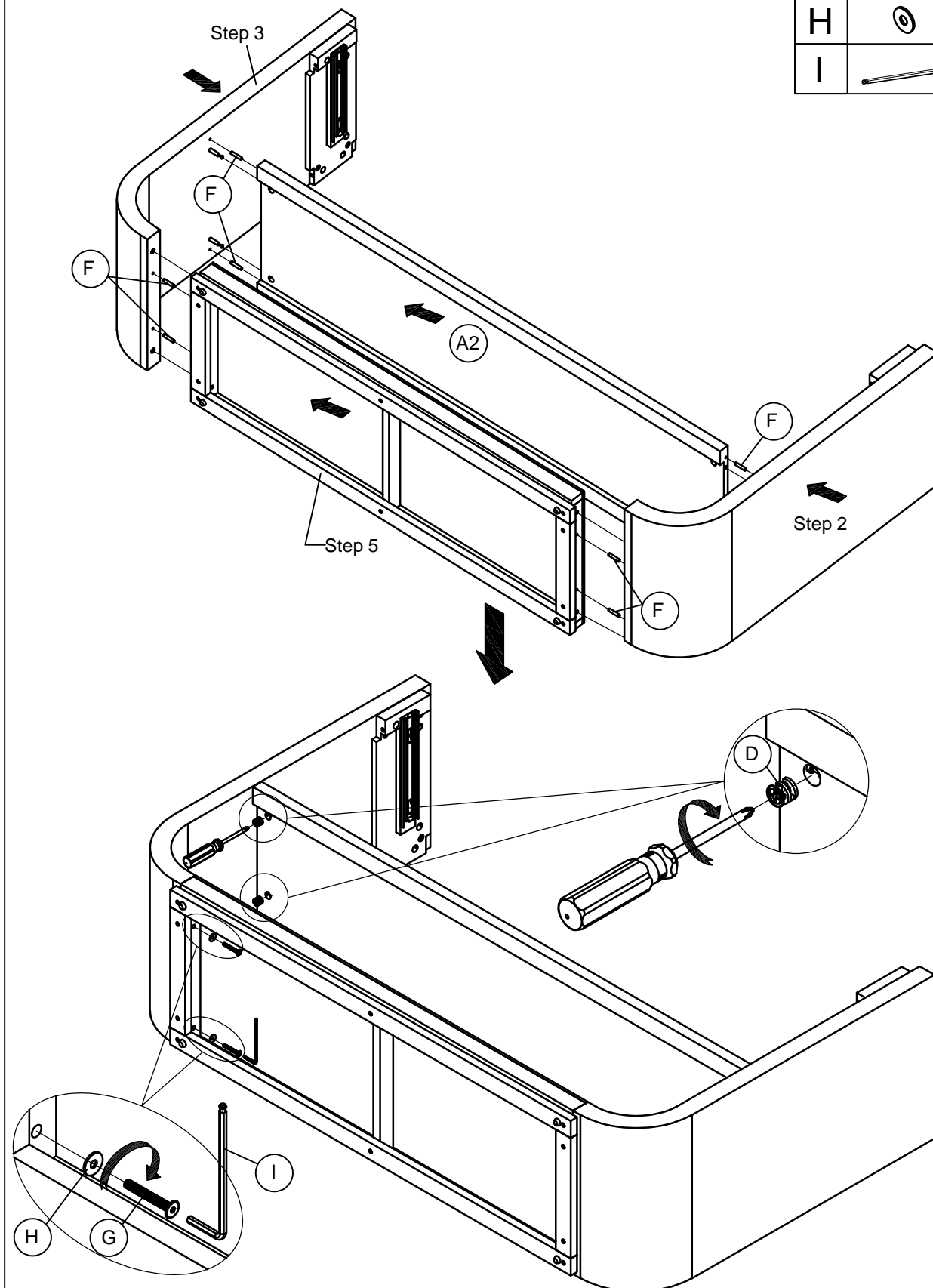
A		6
F		8



STEP 6: Following below illustration

-Using hardware #D, #F, #G and #H connect step 2 and step 3 with A2 and step 5

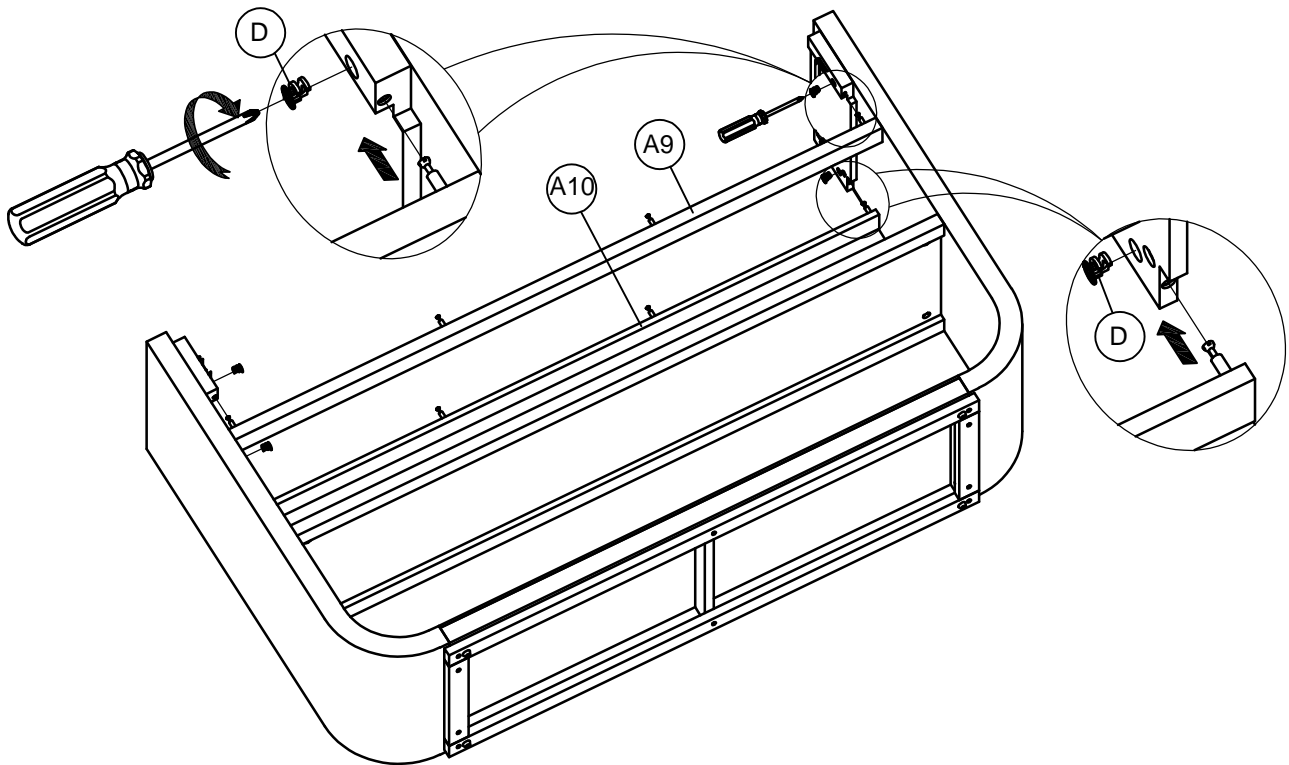
D		4
F		8
G		4
H		4
I		1



D		4
---	---	---



STEP 7: Following below illustration

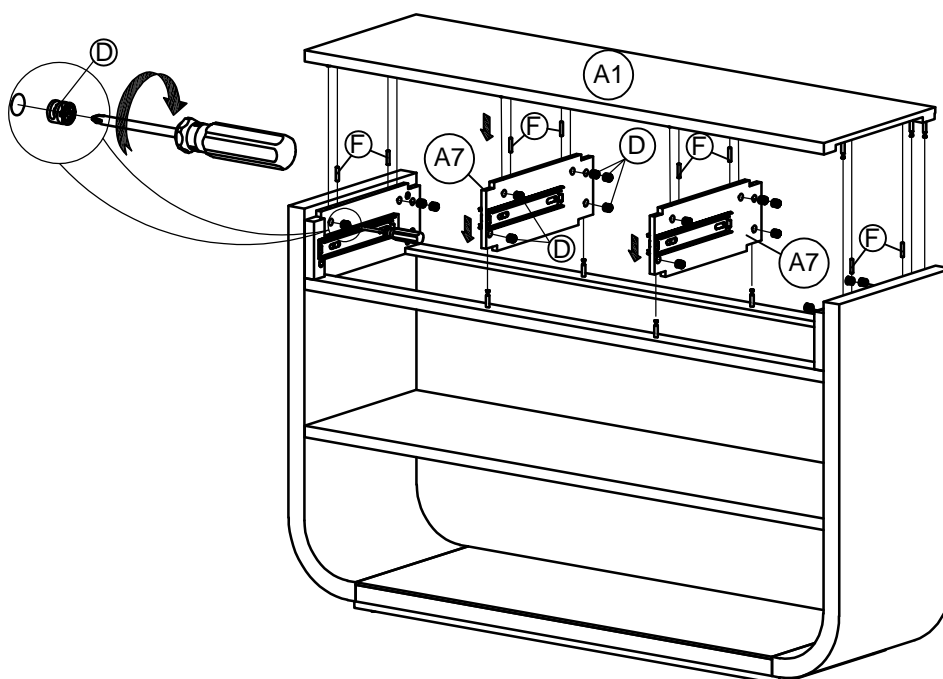
-Using hardware #D connect A9, and A10 with A4 assembly step 6



STEP 8: Following below illustration

-Using hardware #D and #F connect A1, A7 with step 7

D		16
F		8

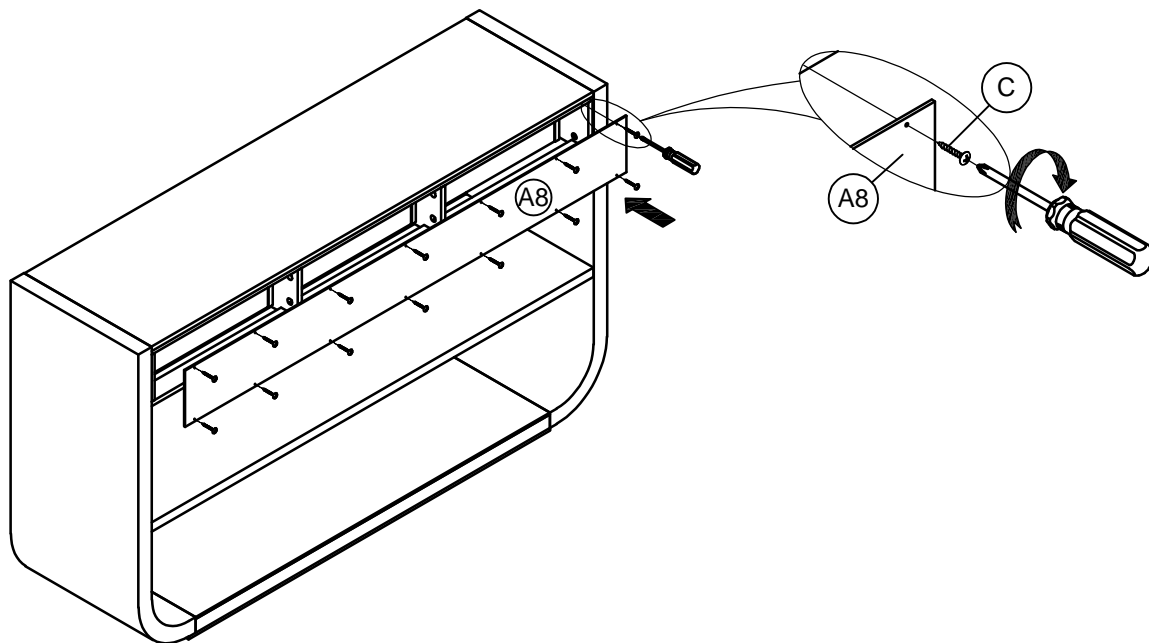


C



14

STEP 9: Following below illustration
-Using hardware #C connect A8 with step 8

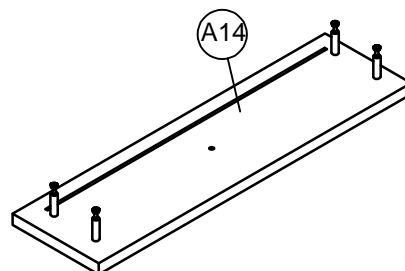
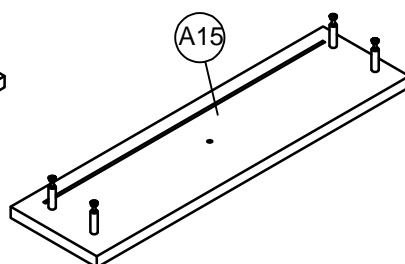
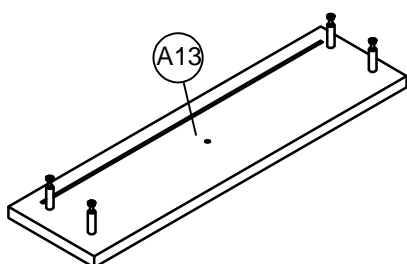
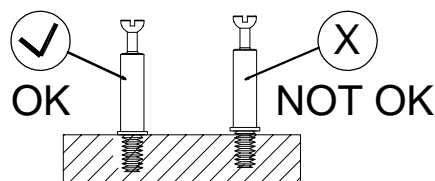
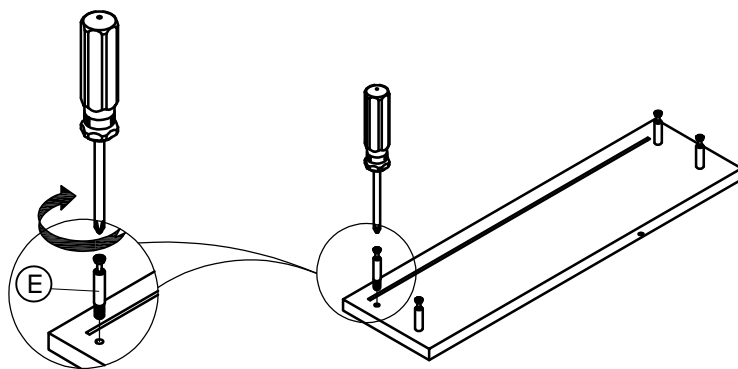


E



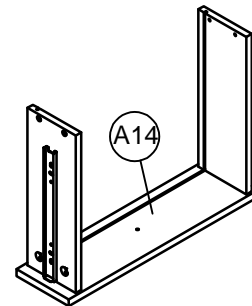
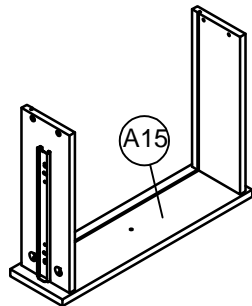
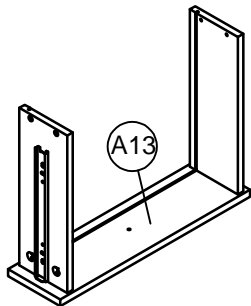
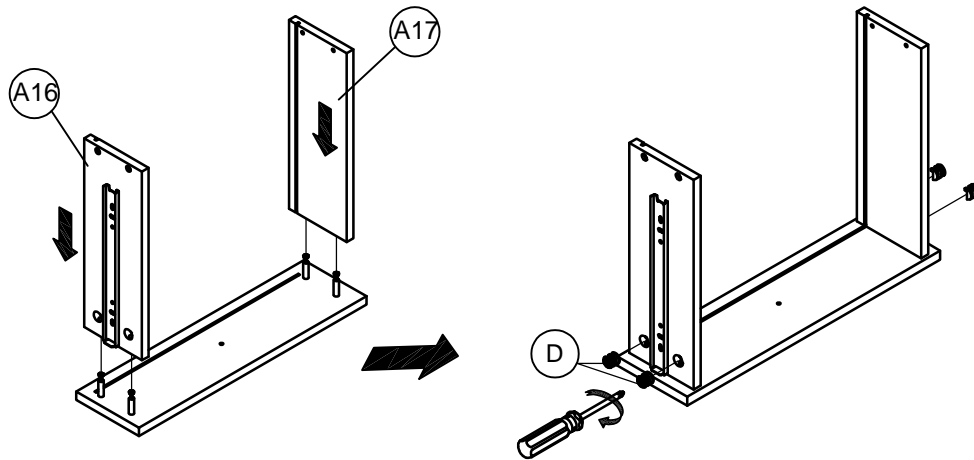
12

STEP 10: Following below illustration
-Using hardware #E assembly into A13, A14 and A15



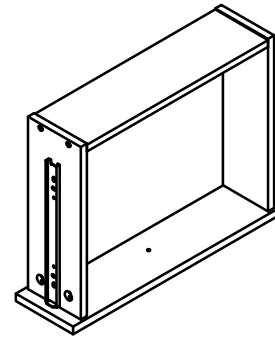
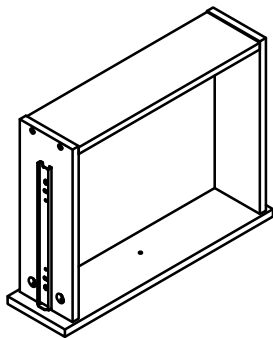
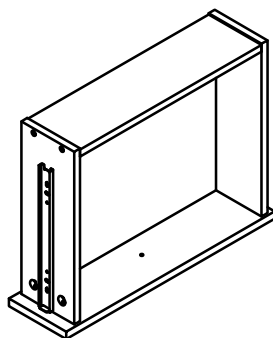
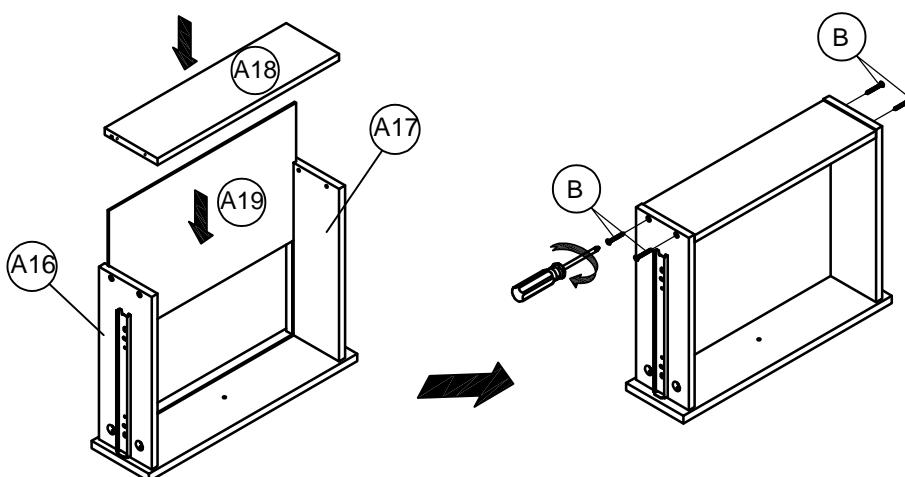
STEP 11: Following below illustration

-Using hardware #D connect A16, and A17 with A13, A14 and A15 assembly step 10





STEP 12: Following below illustration

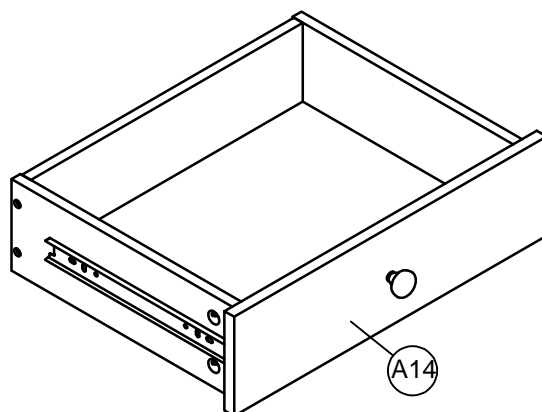
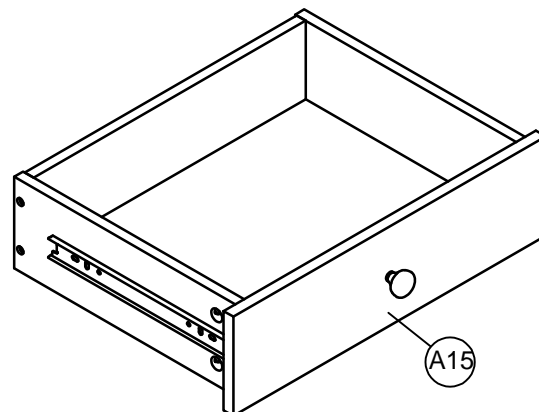
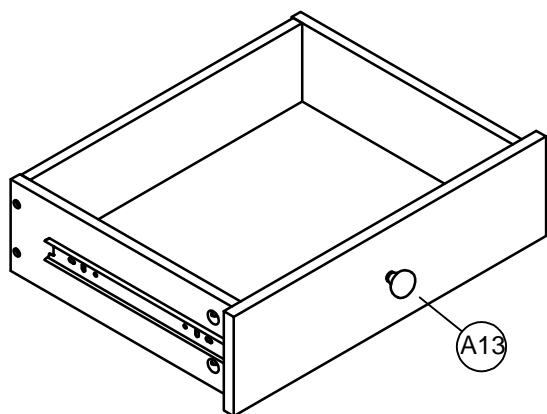
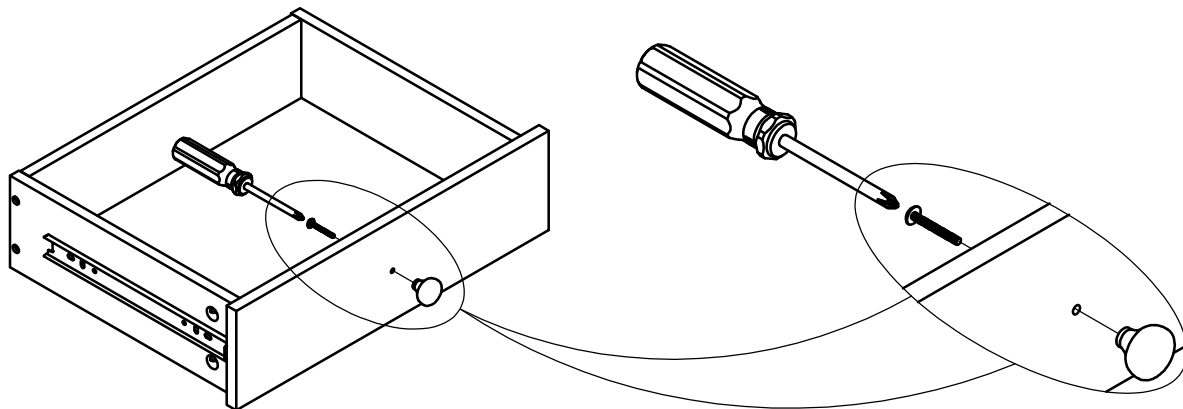
-Using hardware #B connect A18, and A19 with A16 and A17 assembly step 11



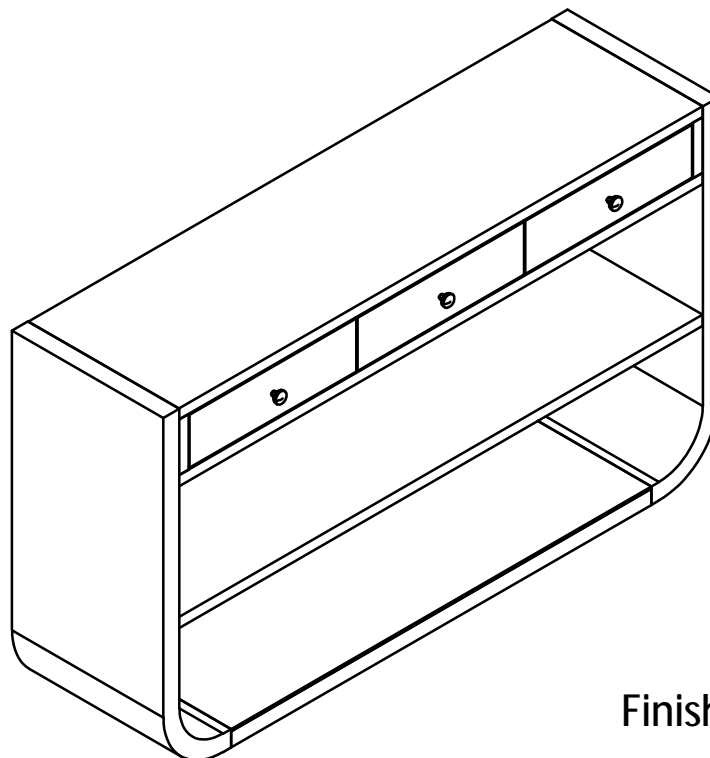
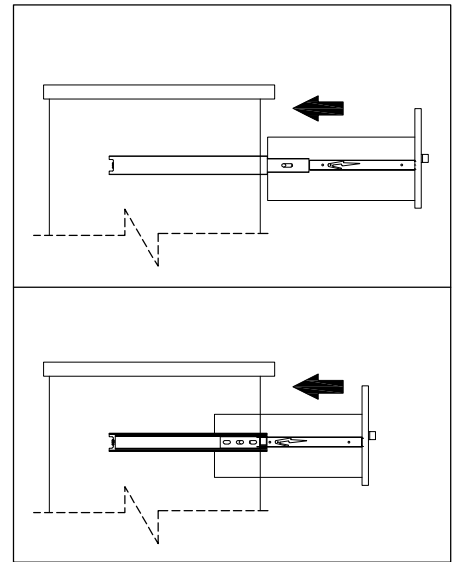
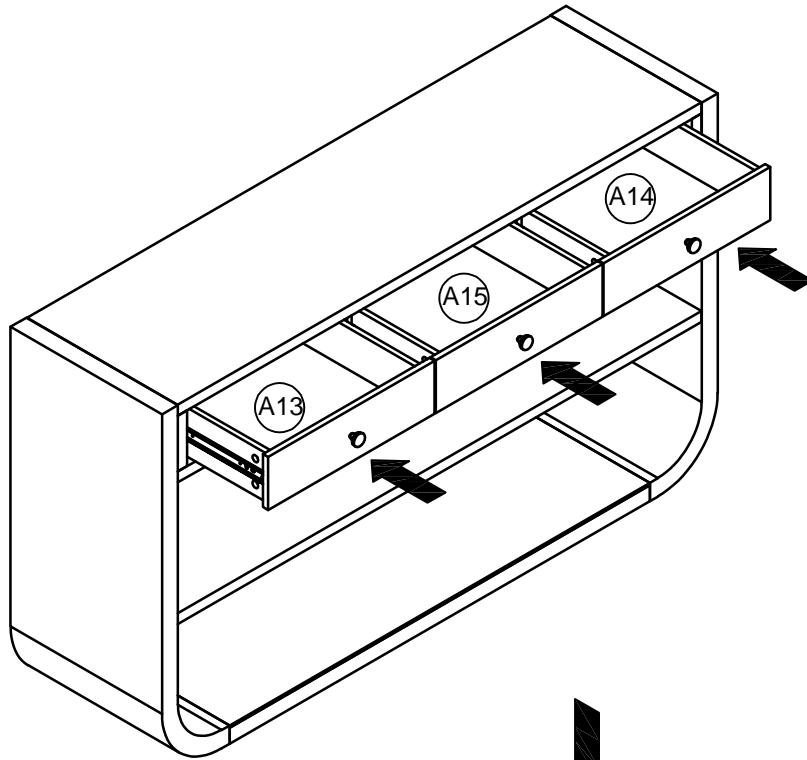
STEP 13: Following below illustration

-Using hardware #J,#K assembly into A13, A14 and A15 assembly step 12

J		3
K		3



STEP 14: Following below illustration



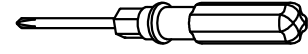
Finished



WARNING

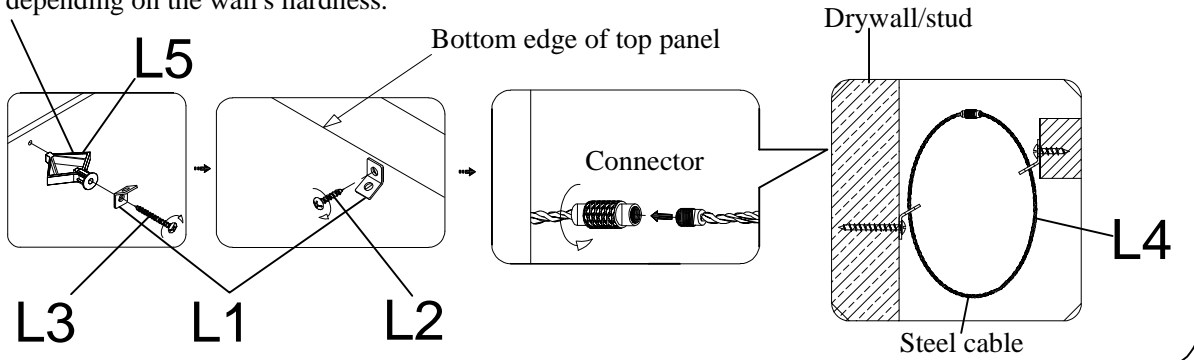
Serious or fatal crushing injuries can occur from furniture tip-over.
 If the furniture tip over restraint kit is not in the box, please contact our customer service department in order to obtain another kit before using the furniture.

L1		4	L4		2
L2		2			
L3		2	L5		2



NOTE: The screwdriver is not included in the hardware pack.

It can be attached with a wall plug or not, depending on the wall's hardness.



WALL

