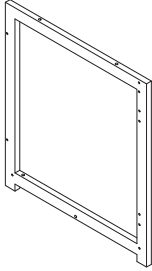
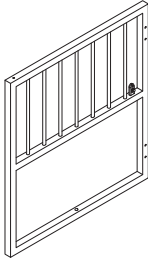
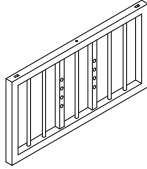
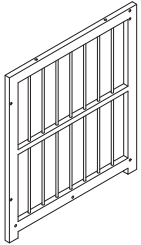
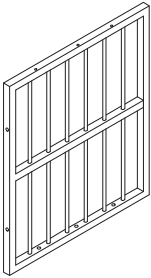
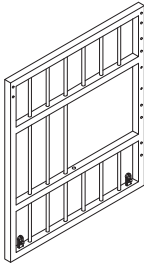
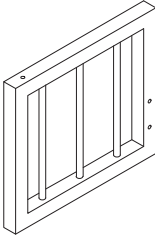
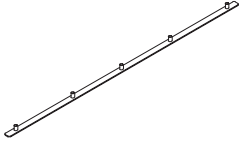
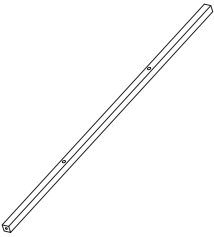
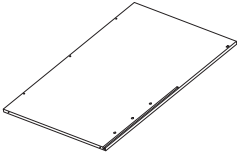
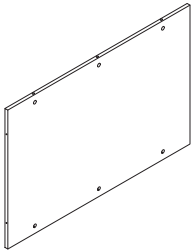
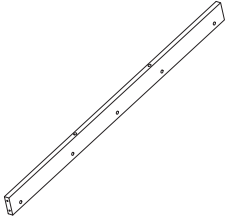
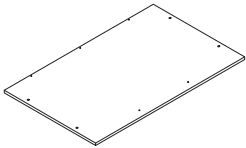
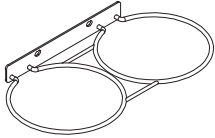


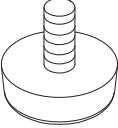
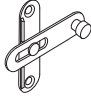

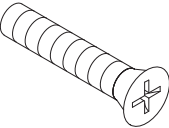
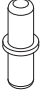
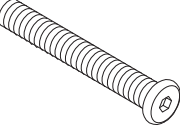
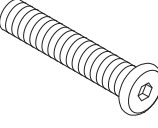
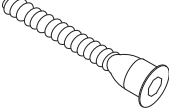
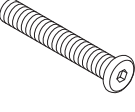
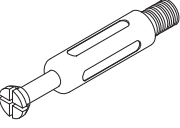
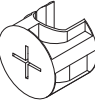
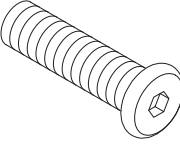
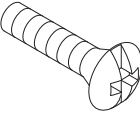


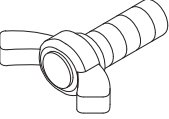
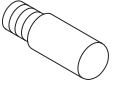
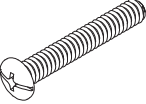
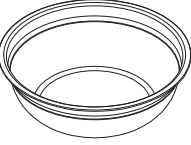
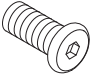
Dog Crate //

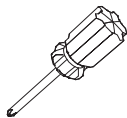


Before beginning the installation process, carefully read through the provided instructions or manual. This will give you a clear understanding of the steps involved and any specific requirements for the installation.

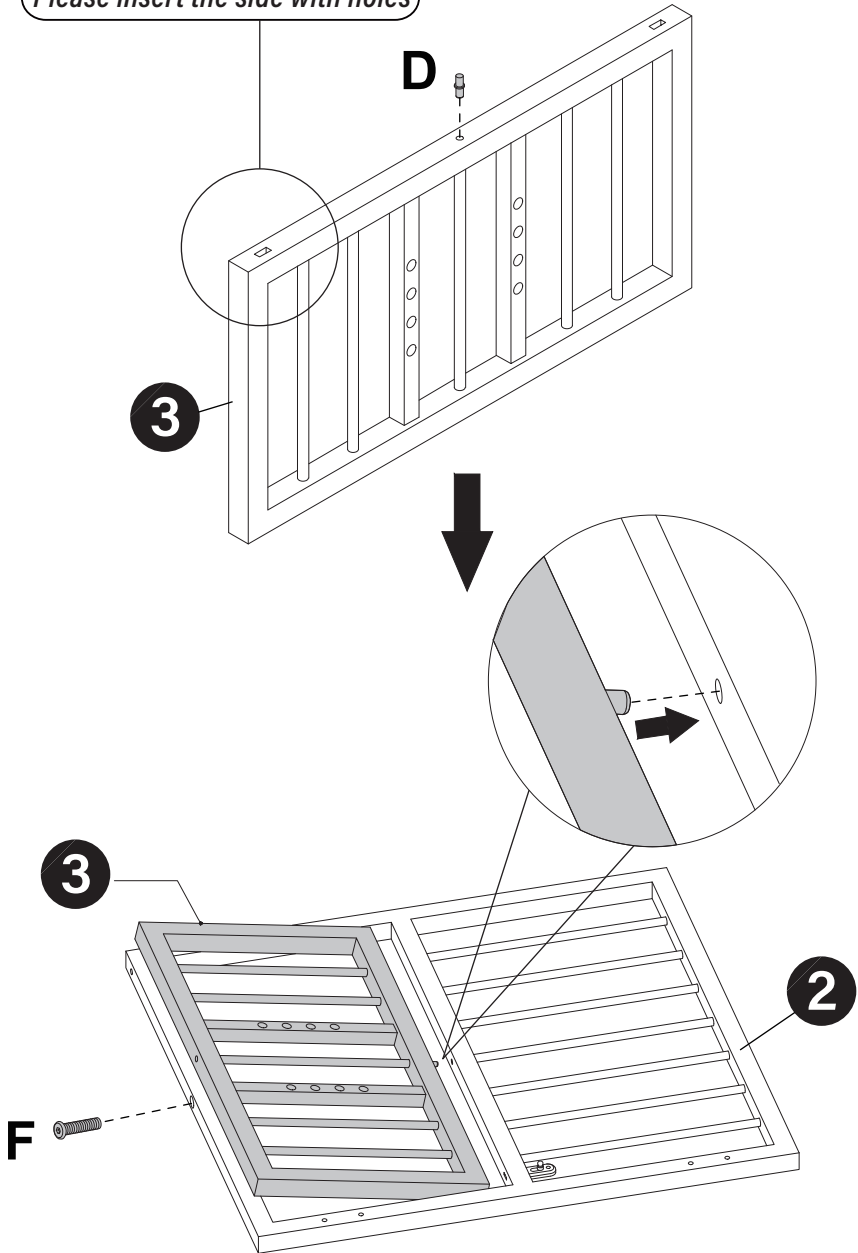
1. Please first check the quantity of accessories according to the list, confirm that you have received all product components, and check for any damaged parts.
2. Safety precautions: Prioritize safety by ensuring that the installation area is free from potential hazards. Use appropriate safety gear and tools as recommended in the instructions.
3. Preparation: Prepare the installation site by clearing any obstructions and ensuring that the area is clean and suitable for the installation, This may involve making measurements or adjustments as needed.
4. Power source: If the installation involves electrical components, ensure that the power source is safely turned off before beginning any work, Follow proper electrical safety procedures.
5. Testing: Once the installation is complete, test the item to ensure it is functioning as intended. This may involve running diagnostic checks or performing trial runs.

1	1 PC	2	1 PC	3	1 PC	4	1 PC
							
5	1 PC	6	1 PC	7	1 PC	8	1 PC
							
9	1 PC	10	1 PC	11	1 PC	12	1 PC
							
13	1 PC	14	1 PC				
							

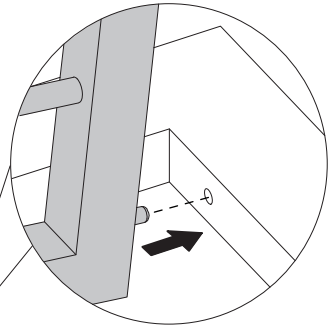
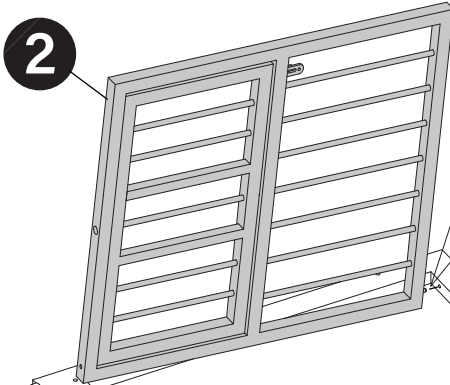
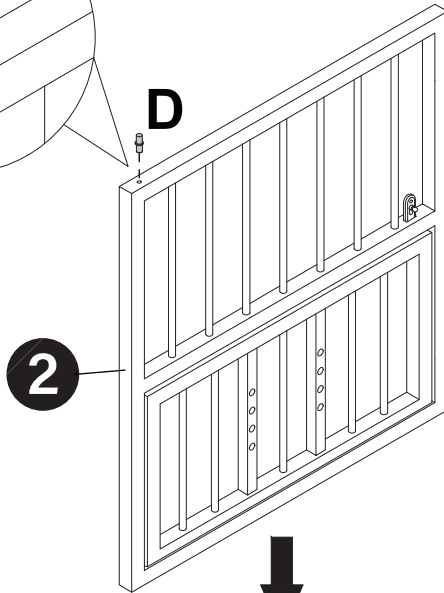
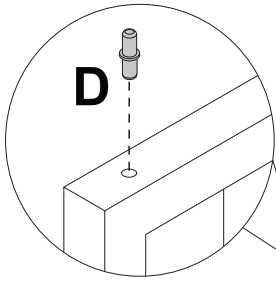
<p>A 4PCS</p>  <p>M8</p>	<p>B 5PCS</p> <p>B1</p>  <p>B2</p> 	<p>C 20PCS</p>  <p>M4*16</p>	<p>D 3PCS</p>  <p>M5*20</p>
<p>E 1PC</p>  <p>M6*65</p>	<p>F 9PCS</p>  <p>M6*30</p>	<p>G 15PCS</p>  <p>M5*48</p>	<p>H 4PCS</p>  <p>M6*50</p>
<p>I 8PCS</p>  <p>M6*40</p>	<p>J 8PCS</p>  <p>Φ15*10.5mm</p>	<p>K 5PCS</p>  <p>M6*20</p>	<p>L 4PCS</p>  <p>M4*16</p>
<p>M 2PCS</p> 	<p>N 1PC</p> 	<p>O 2PCS</p>  <p>M6*15</p>	<p>P 1PC</p>  <p>Φ5*18</p>
<p>Q 2PCS</p>  <p>M4*25</p>	<p>R 2PCS</p> 	<p>S 2PCS</p>  <p>M6*12</p>	



NOTICE!
Please insert the side with holes



STEP 2

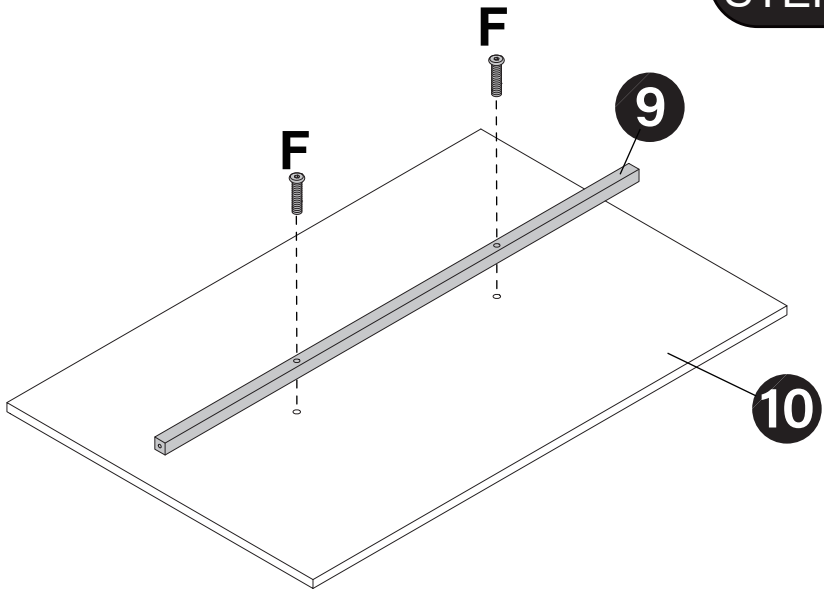


E

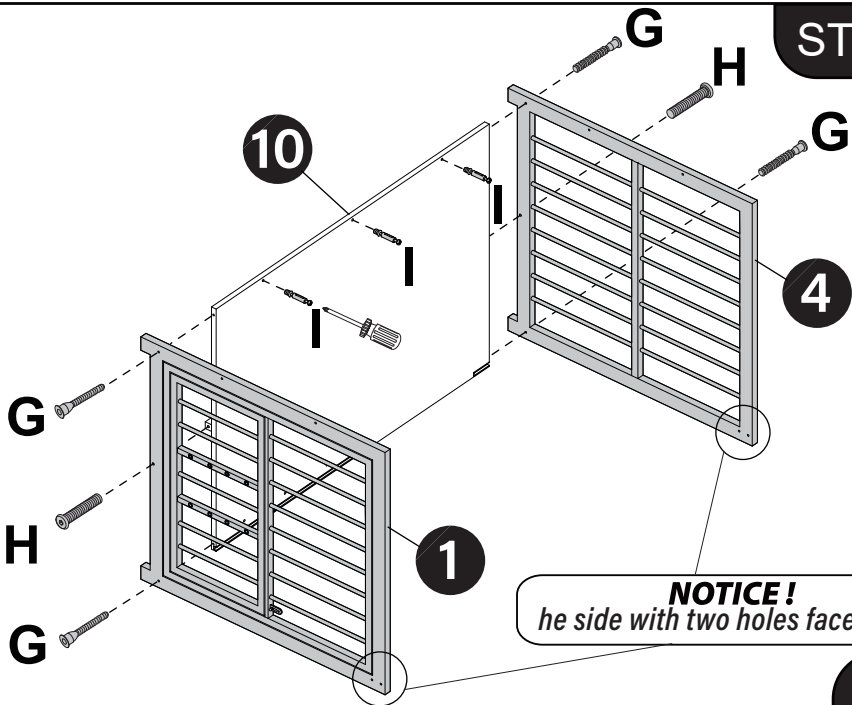
2

1

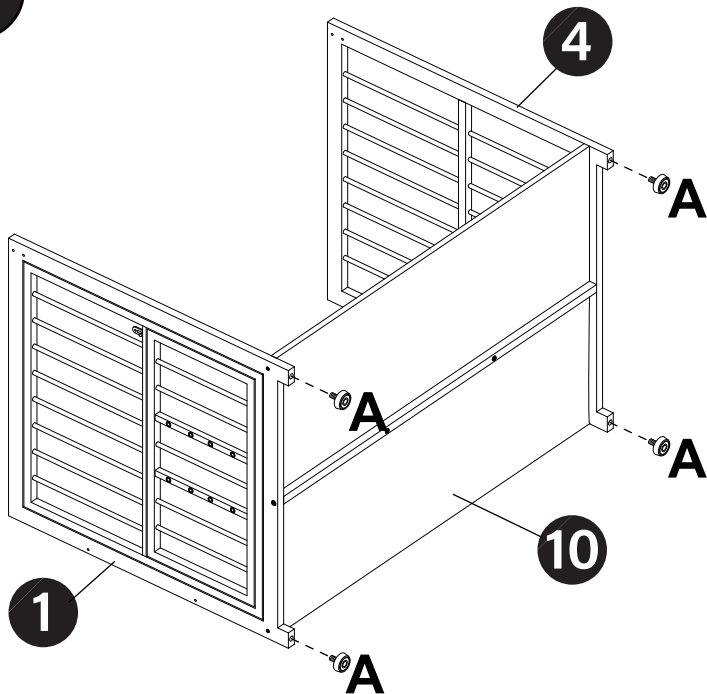
STEP 3



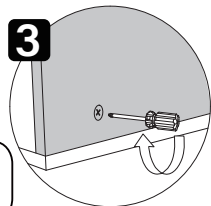
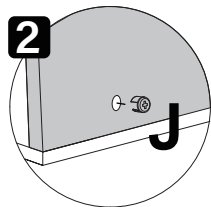
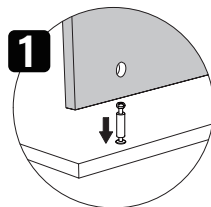
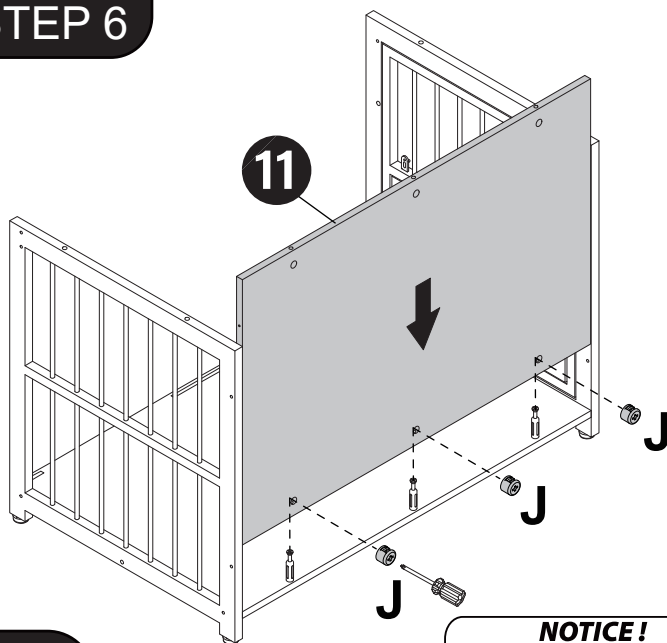
STEP 4



STEP 5



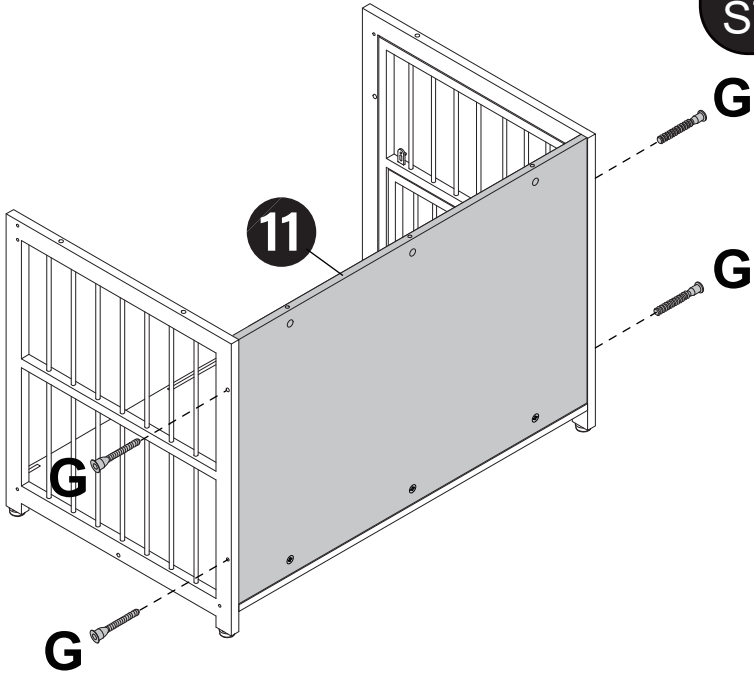
STEP 6



4

NOTICE!
The notch of part J should face down

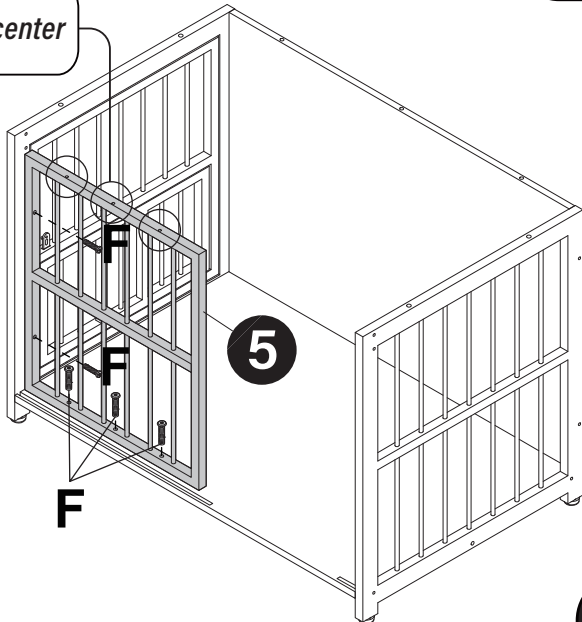
STEP 7



STEP 8

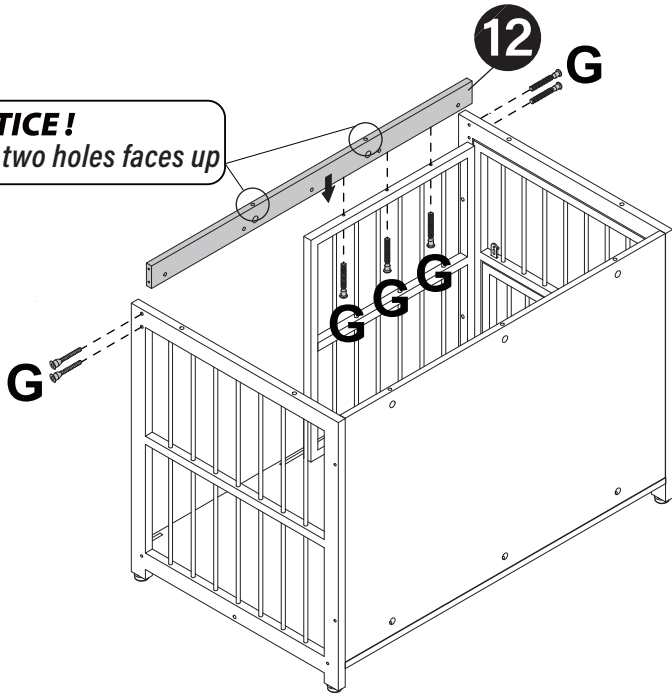
NOTICE!
The side with the off-center hole faces up

off-center hole

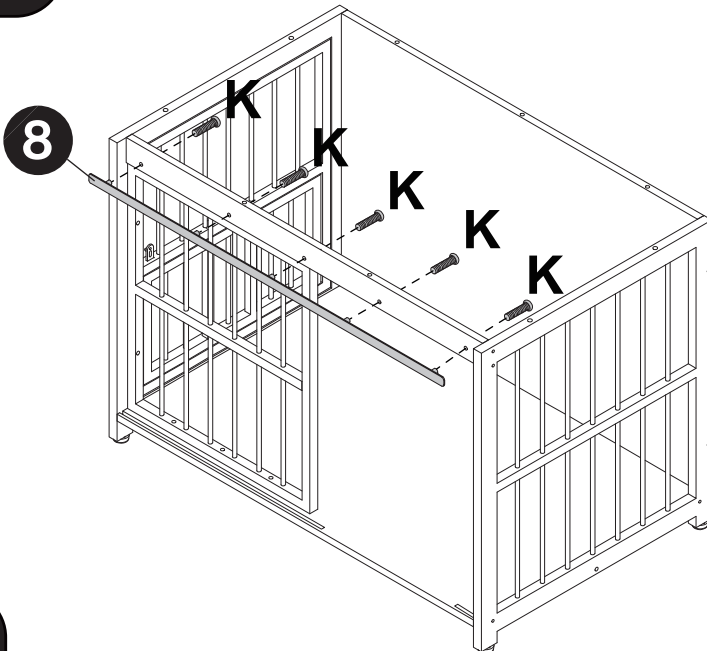


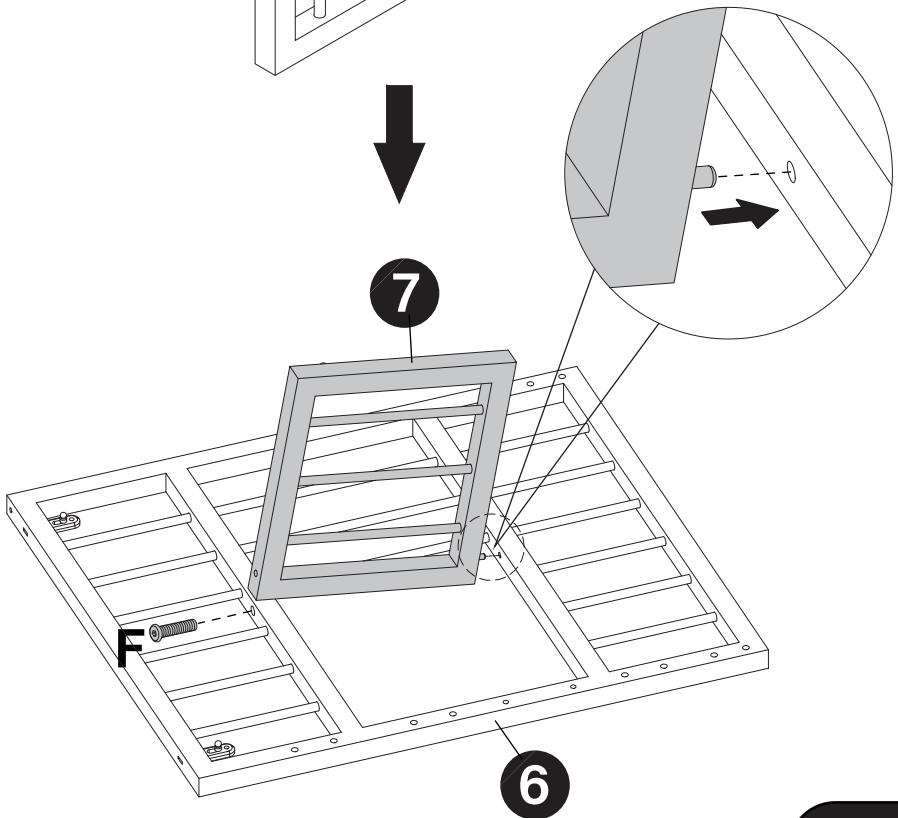
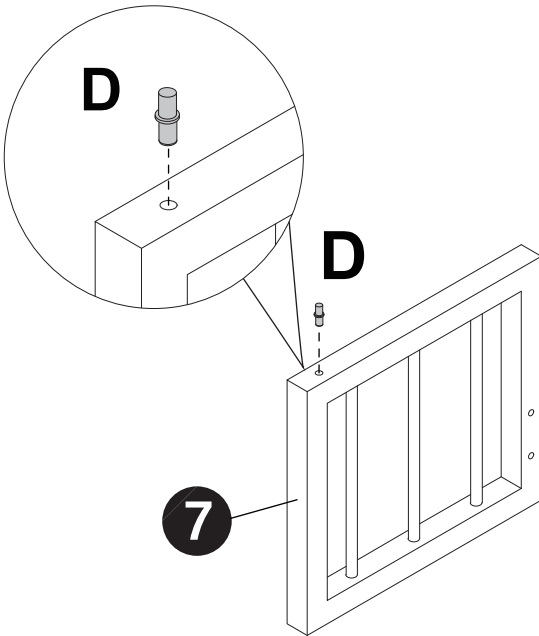
STEP 9

NOTICE!
the side with two holes faces up

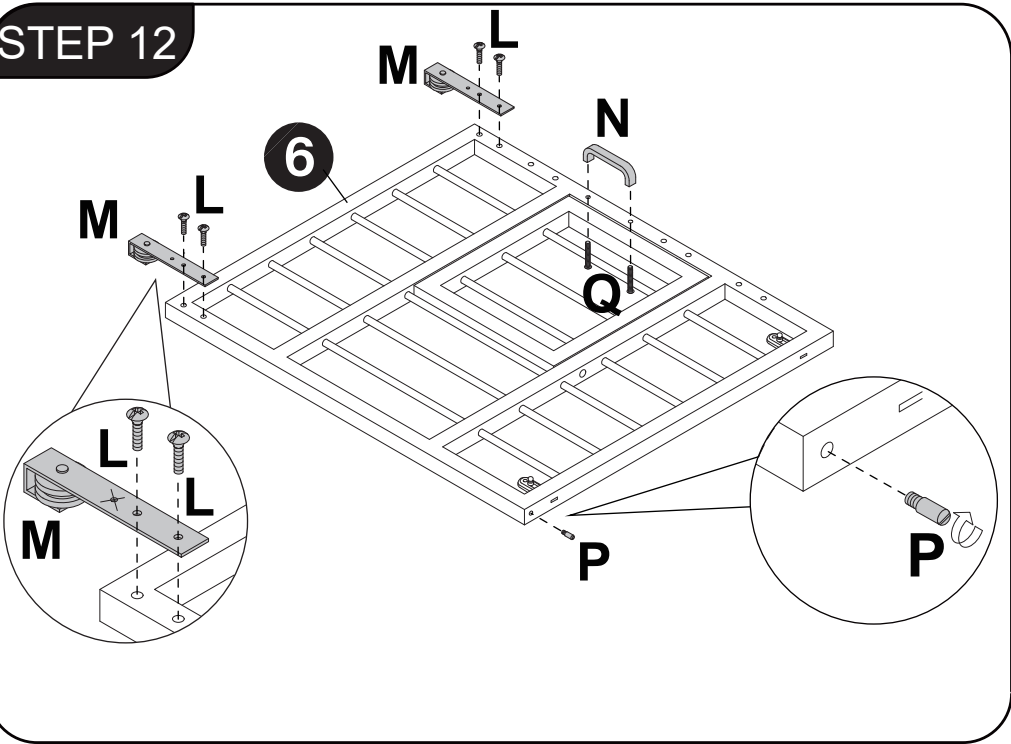


STEP 10

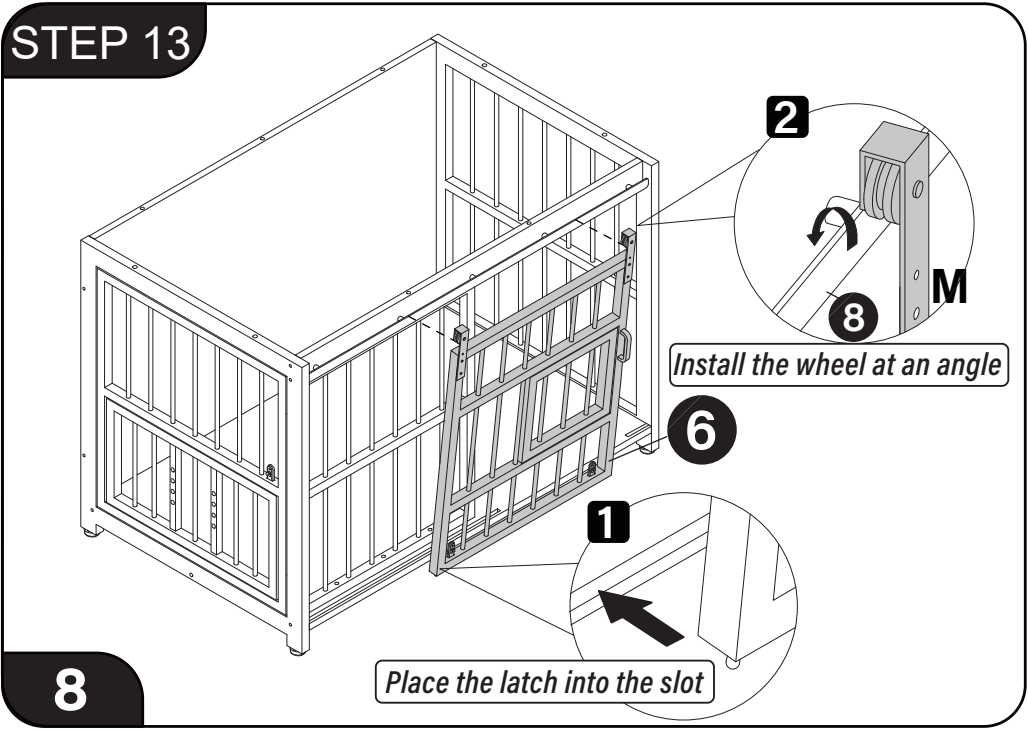




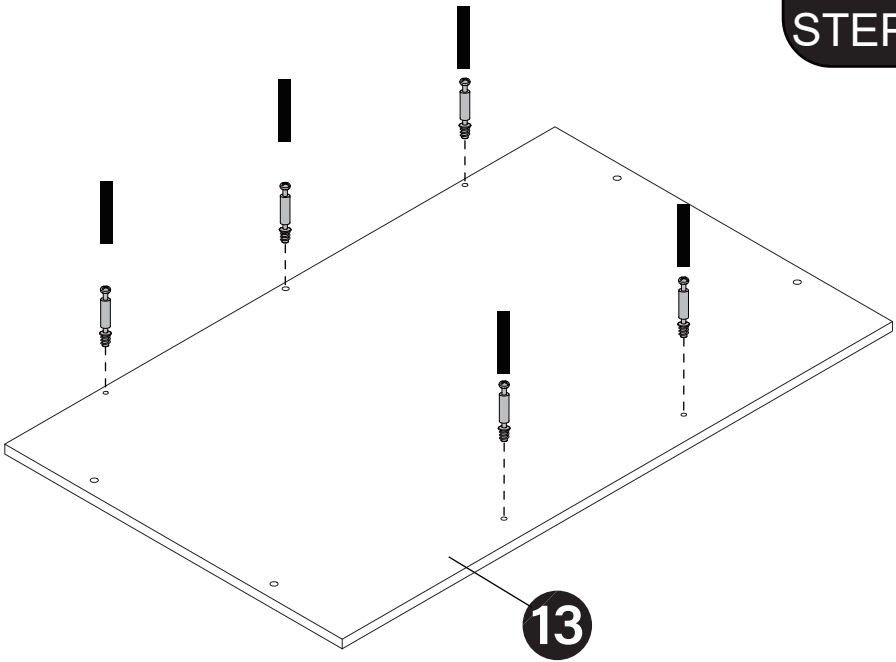
STEP 12



STEP 13

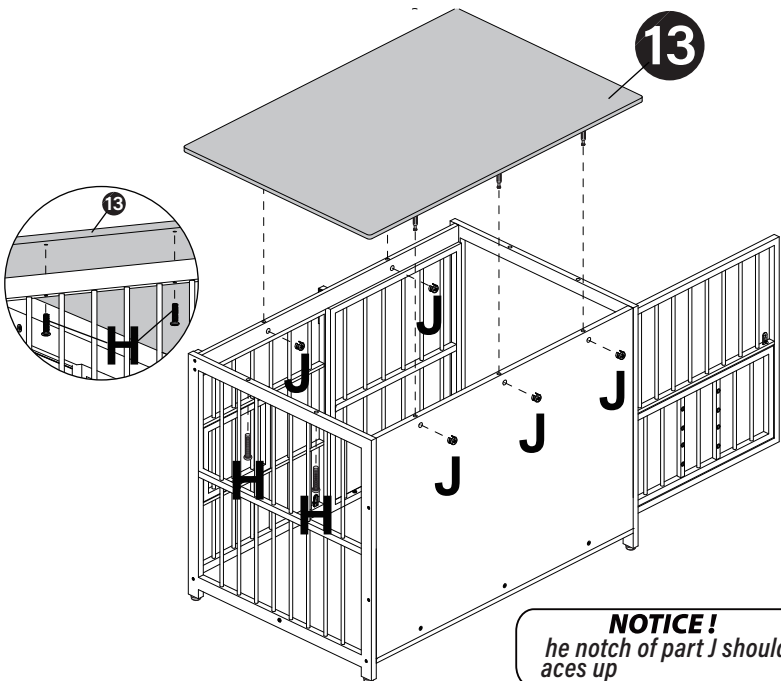


STEP 14

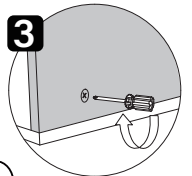
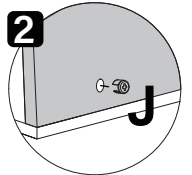
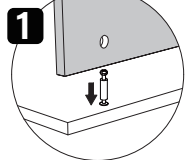


13

STEP 15

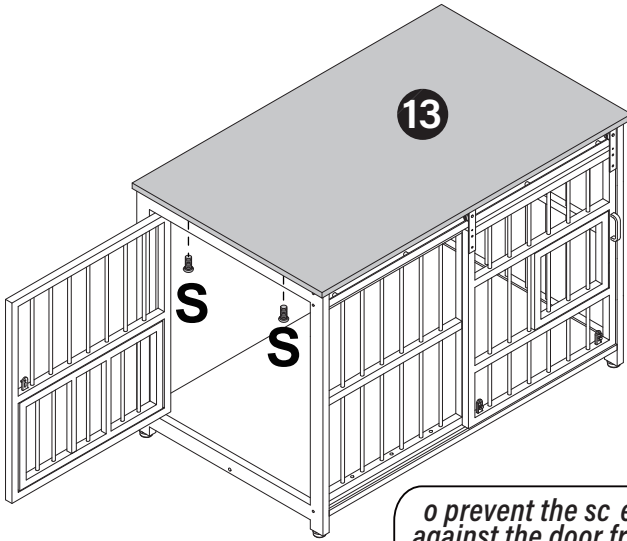


13



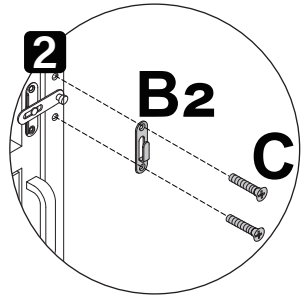
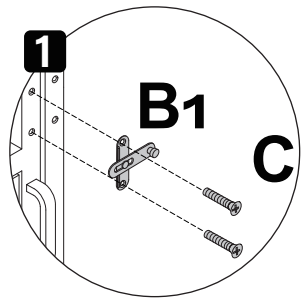
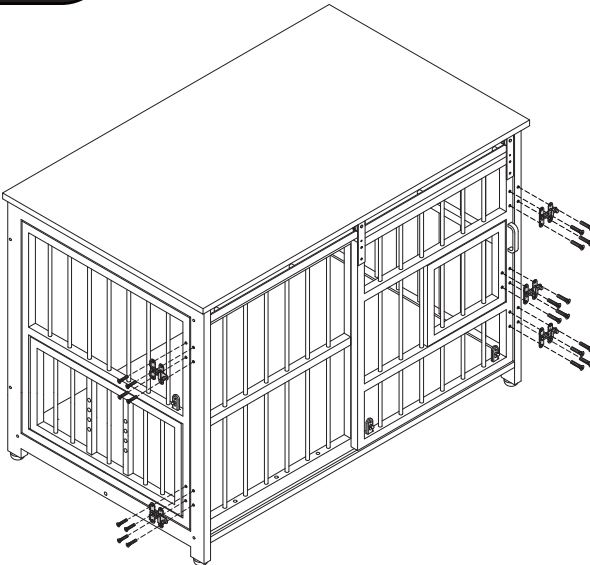
NOTICE!
The notch of part J should face up

STEP 16

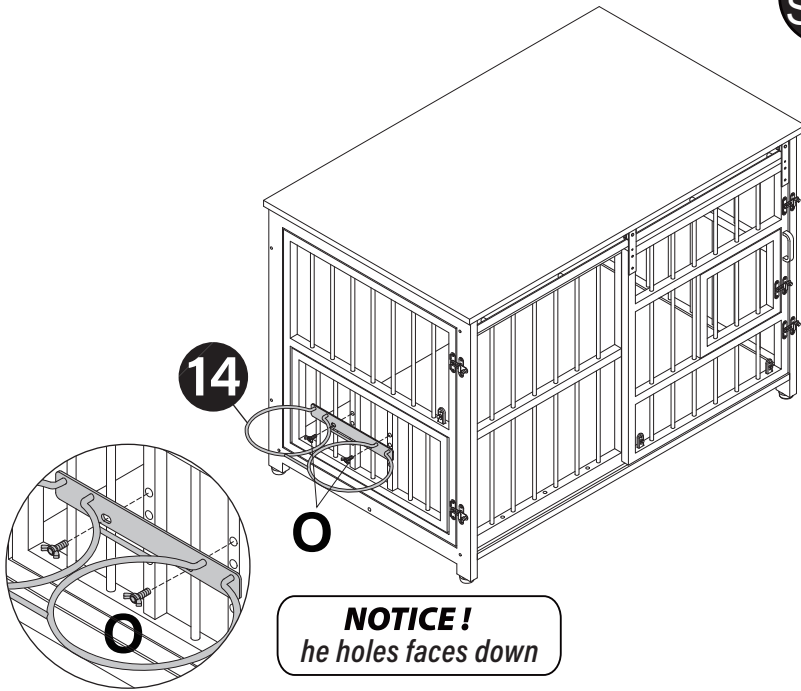


to prevent the screws from rubbing against the door frame when closing the door, we designed the screws to be embedded.

STEP 17



STEP 18



STEP 19

