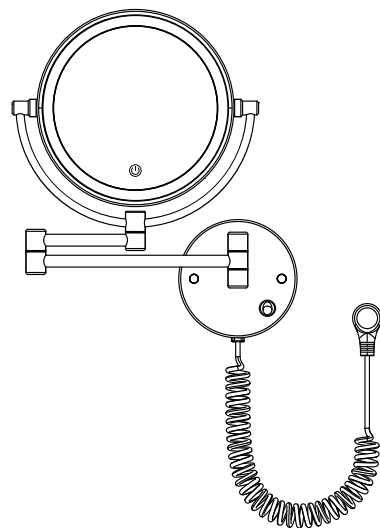


DUAL-SIDED WALL MOUNTING LED LIGHTED MIRROR



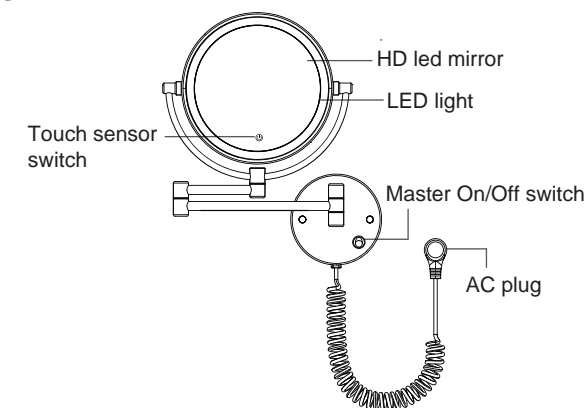
SAFETY INSTRUCTIONS

- ⓘ Do not use outdoor
- ⓘ Never operate the mirror if it is not working properly, if it has been damaged, or submersed in water. Immediately contact your service provider.
- ⓘ Do not use extension cord with this mirror.
- ⓘ Close supervision is necessary when any appliance is used by or near children or people with a physical/mental disability.
- ⓘ Do not operate this appliance if the appliance malfunctions or has been damaged in any manner. No repairs should be attempted by the consumer.
- ⓘ Use appliance only for intended use as described in this instruction book.
- ⓘ Be sure mirror is not in a position where it can reflect sunlight.
- ⓘ Turn switch to OFF position before storage.

STORAGE INSTRUCTIONS

- ① Please turn the switch to OFF position before storage
- ② Be sure direct sunlight does not strike mirror when left unattended.
- ③ Place the mirror in cool and dry area.
- ④ For safety, please make sure the mirror is out of reach of children.

ILLUSTRATE



ILLUSTRATE



Dual-sided Wall Mount Mirror



Install parts



Product Instruction manual

SPECIFICATIONS

[Product Name] Dual-sided Wall Mount Mirror

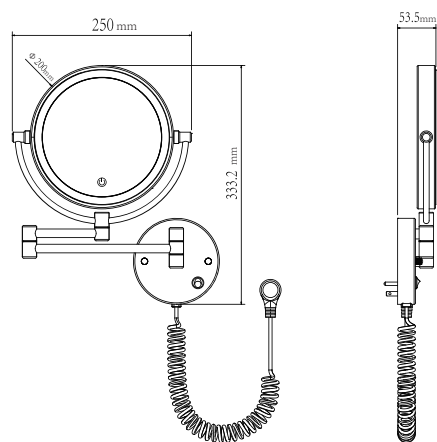
[Main Material] Metal /Glass

[LED Color Temperature] 3500K-7000K±500K

[Lamp beads] 72 pieces

[Power] AC100-240V

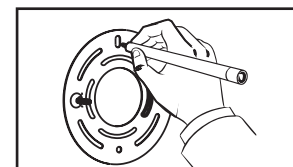
[Maximum Output] 5.5W



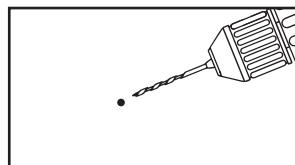
INSTALLATION INSTRUCTIONS



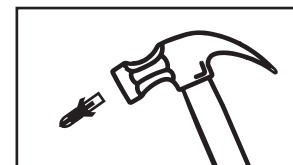
1. Unscrew the 2 screws capsand remove the base panel.



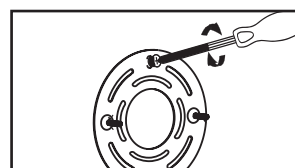
2. Choose a desire location to install. Mark 2 of the holes against the wall.



3. Drill holes (diameter of 6mm) and install expansion anchor on the wall.



4. Install the 2 expansion anchor on the 2 holes.

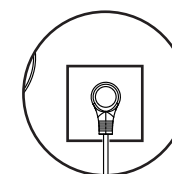


5. Apply base panel and install screws.

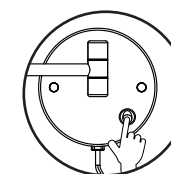


6. Apply mirror and tighten the screw caps

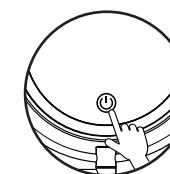
HOW TO USE THE MIRROR



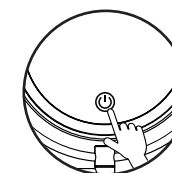
1. Plug in the mirror.



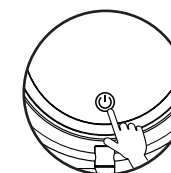
2. Turn on the master On/Off switch.



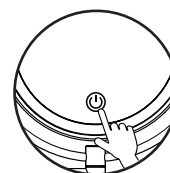
3. Short press the touch sensor switch button to turn on led light.



4. Sort press button to adjust light color from Cool/Warm/Natural white color.



5. Long press the button to adjust the light brightness.



6. Short press the button to turn off the led light.