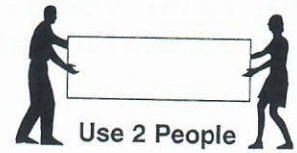
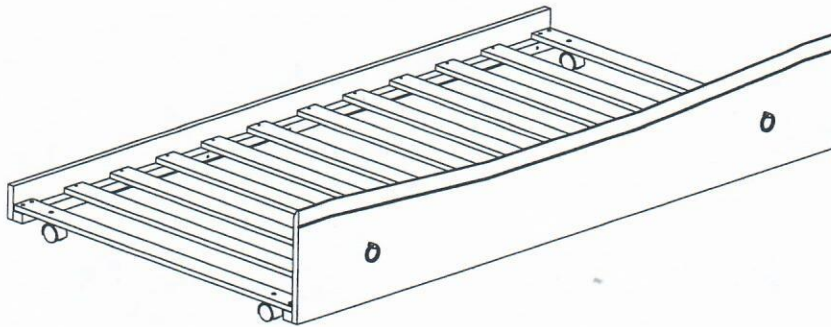


# 0030/0034 Daybed Trundle

## Assembly Instructions

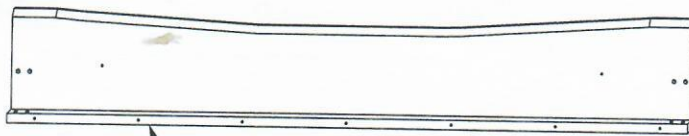
WII-0320

### 1 Assembled View



**Note:** Do not assemble using power tools. This can cause the bolts to be overtightened

### 2 Parts List



**A** Trundle Front Panel x 1



**B** Trundle Rear Panel x 1



**C** Trundle Support Rail x 2



**D** Set of Slats x 2

### 3 Hardware List



**1** M6 x 40mm JCB x 8



**2** M6 x 10mm JCB x 4



**3** Wood Screw (M4 x 32mm) x 20



**4** Wood Screw (M4 x 22mm) x 2



**5** Allen Key x 1



**6** Handle x 2



**7** Metal Bracket x 2



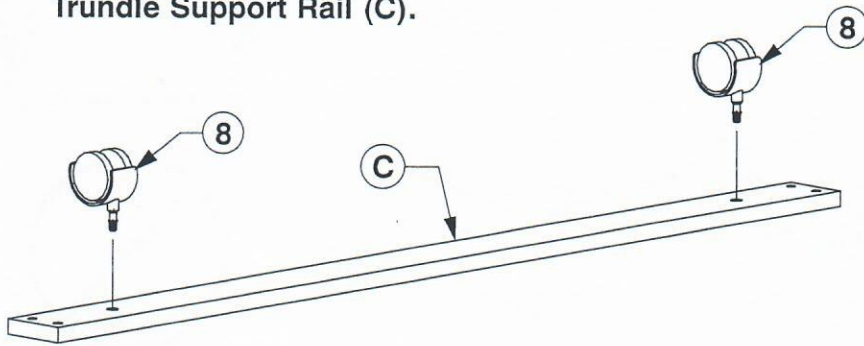
**8** Wheels x 4

# 0030/0034 Daybed Trundle

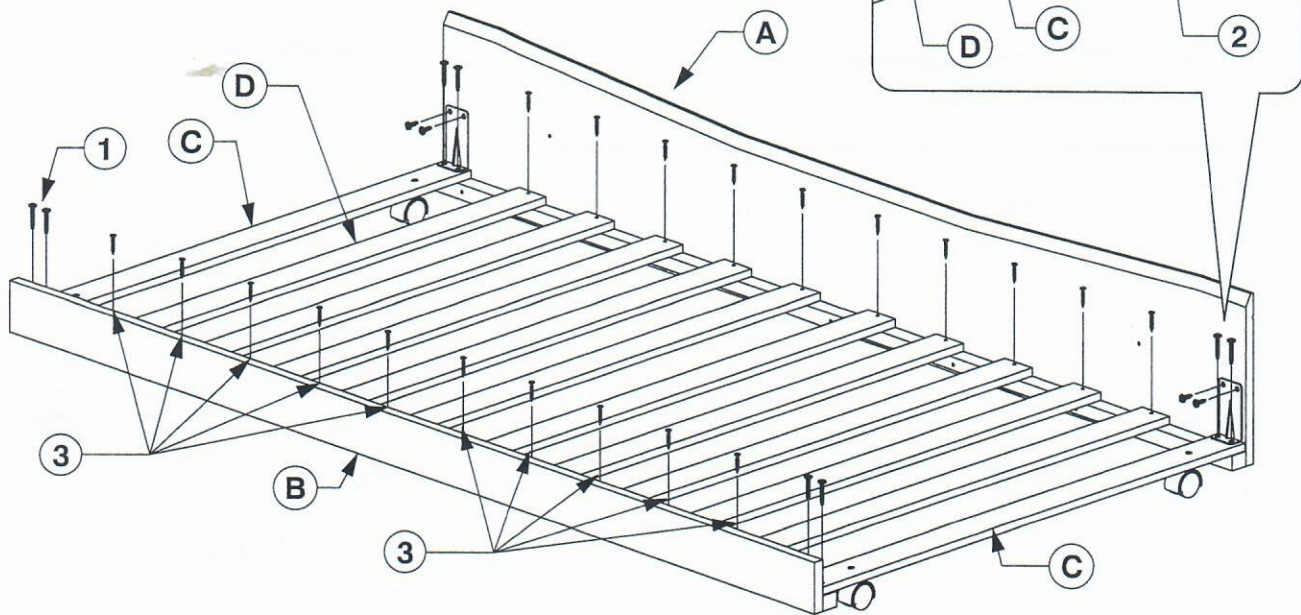
Assembly Instructions

WI-1118

- 4** Fit the Wheels (8) to the Trundle Support Rail (C).



- 5** Assemble the Set of Slats (D) & Trundle Support Rail (C) to the Trundle Front Panel (A) & Trundle Rear Panel (B).



- 6** Fit the Handle (6) to the Trundle Front Panel (A).

