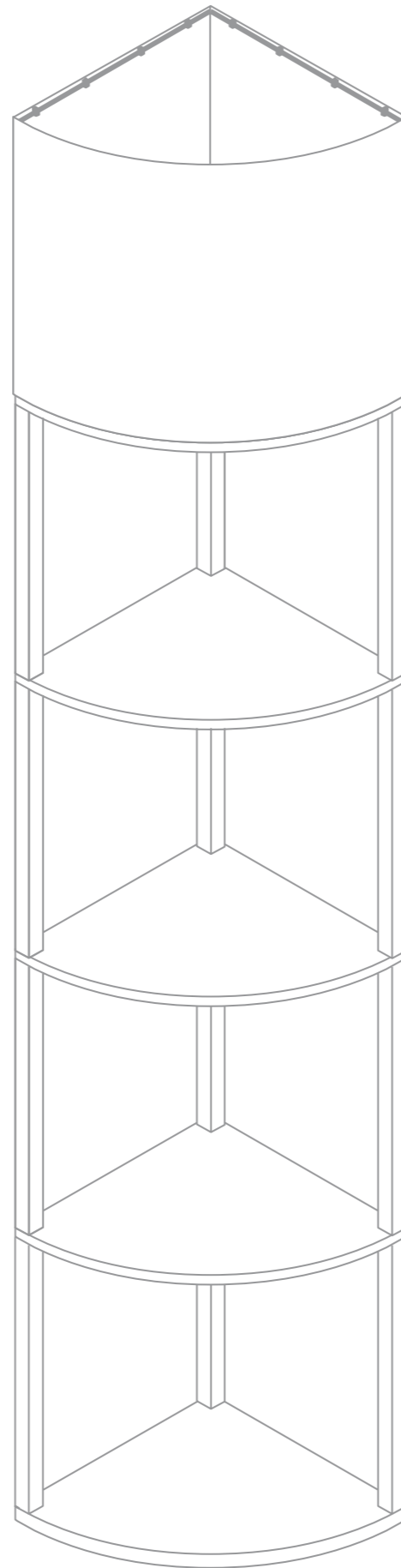


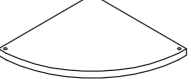
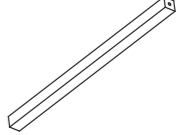
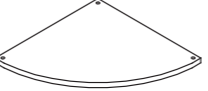

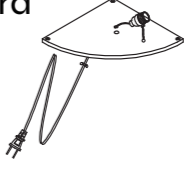
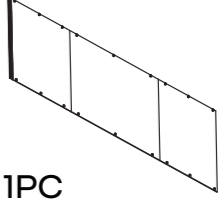

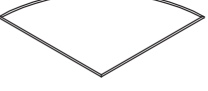

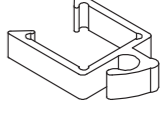


Assembly Instructions



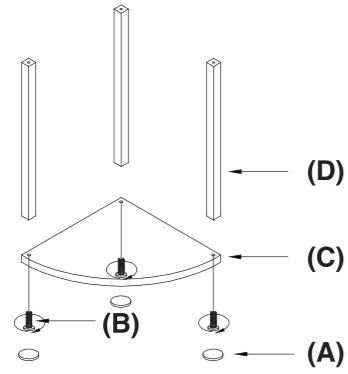
A: Cushion  3PCS	B: Screw  6PCS	C: Bottom Board  1PC	D: Pole  12PCS
E: Board  3PCS	F: Two-Sided Bolt  9PCS	G: Lampholder Board  1PC	H: Lamp Shade  1PC
I: Bottom Lamp Shade Frame  1PC	J: Top Lamp Shade Frame  1PC	K: Shade Ring  1PC	L: Wire Clamps  4PCS

Product Details:

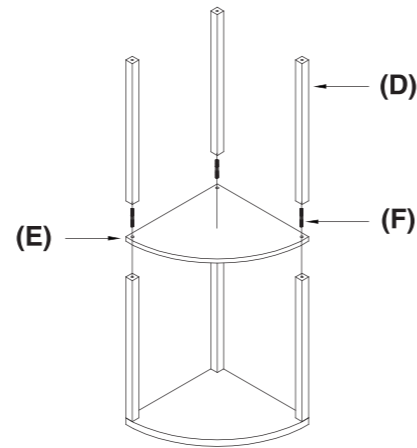
- Maximum Wattage: $24V \times 1A = 24W$
- Holds up to 40lbs per shelf
- Made of MDF Wood
- Non-toxic UV Coating
- Patent Designed Pole

Important Safety Instructions:

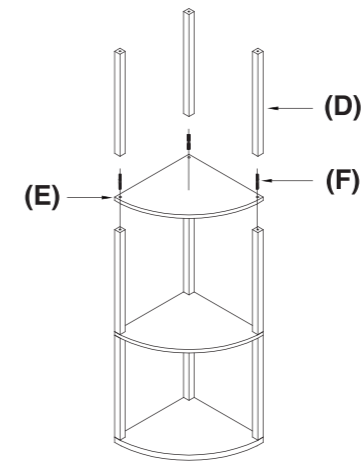
- Do **NOT** use another direct current adapter other than the DC adapter in the package.

1.**Step1**

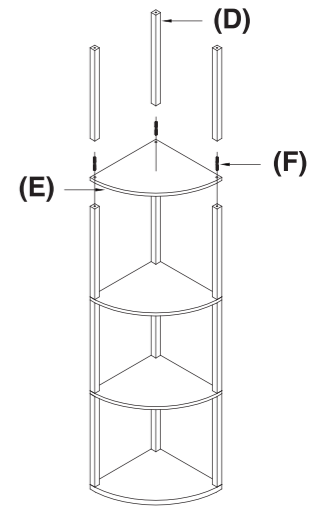
Begin assembling Alvis Edge by inserting the screws (B) all the way through the bottom board (C) with the sticker side facing down. Tightly twist three poles (D) into where the screw emerges on the other side of the bottom board (C). Use wrench if needed to hold the screws (B) while twisting. Apply cushions (A) over holes if needed.

2.**Step2**

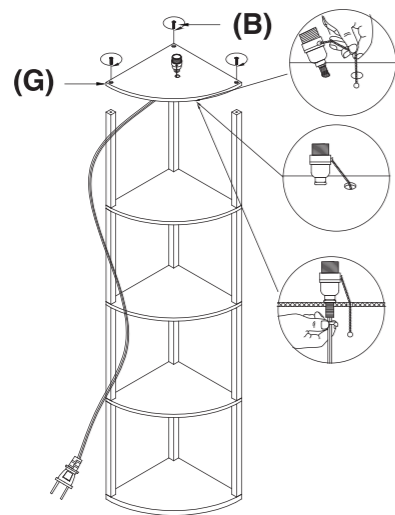
Screw 3 two-sided bolts (F) on the poles and place the board (E) onto the bolts. Then, screw another three poles (D) to continue making it taller.

3.**Step3**

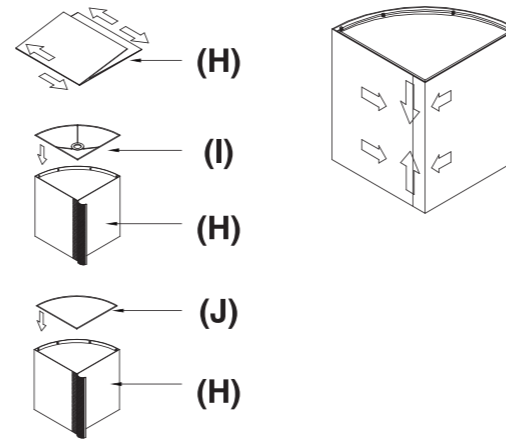
Repeat step 2

4.**Step4**

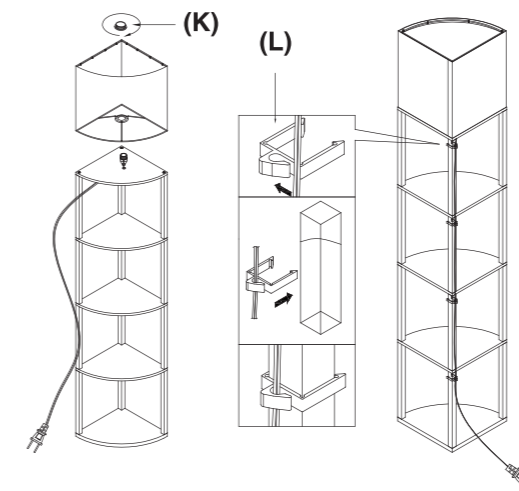
Repeat step 3

5.**Step5**

Place and Secure the lampholder board (G) onto the poles by using screws (B) and put the lamp holder into the larger hole and drop the pull chain into the smaller hole, then tighten the lamp holder using the screw on the wire.

6.**Step6**

Remove the lampshade (H) from the box and slightly fold each crease to make sure the lampshade is fan-shaped. Then, place the top shade frame (J) and bottom shade frame (I) into the lampshade (H). Then secure the shade by folding the velcro into the lampshade frames.

7.**Step7**

Place the finished shade into the lamp holder and secure the lampshade using the shade ring (K). Lastly, use the wire clamps (L) to hide the wire. (Optional)