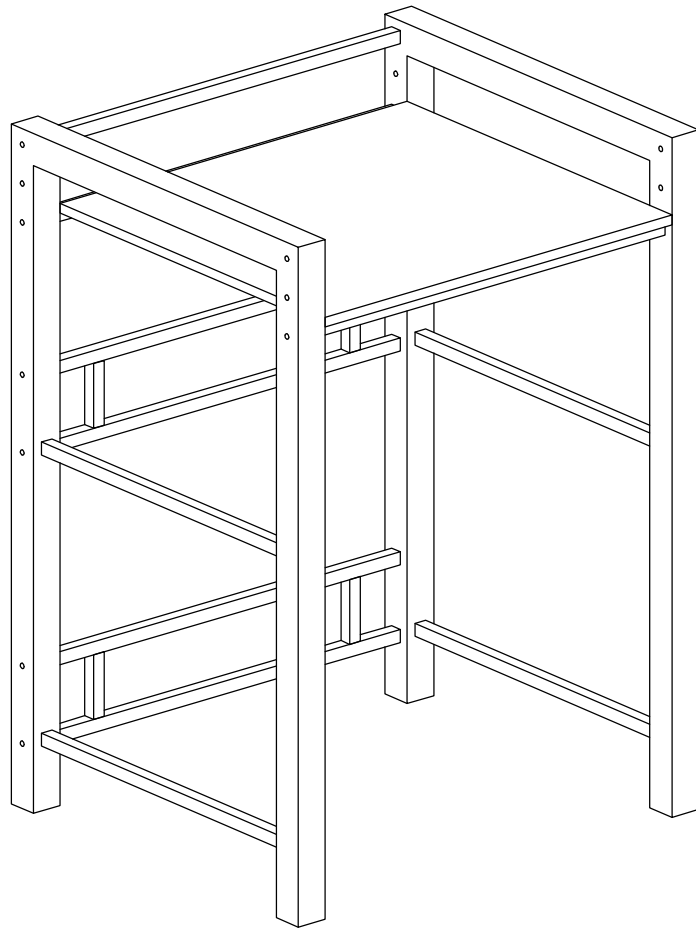
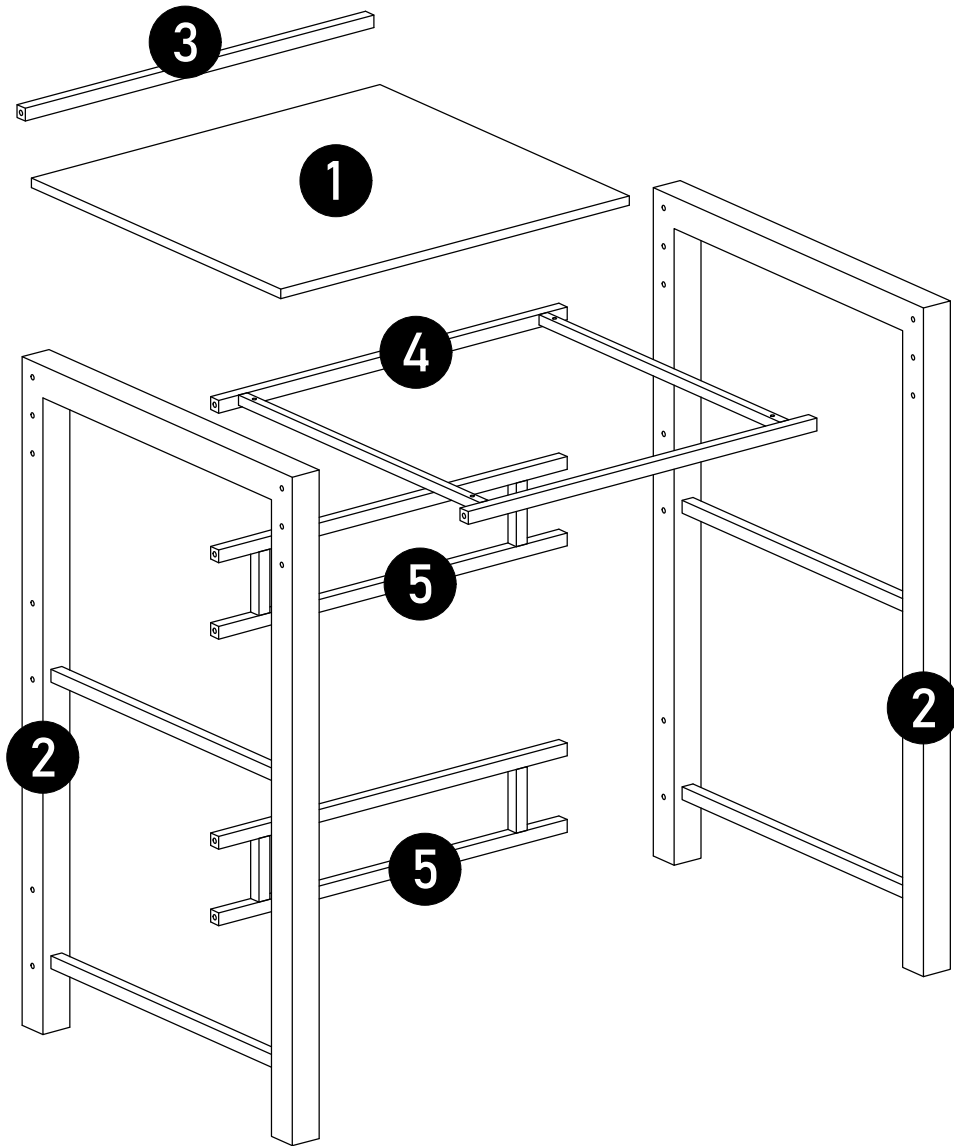


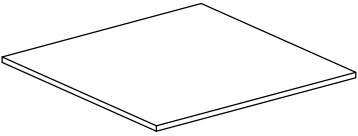
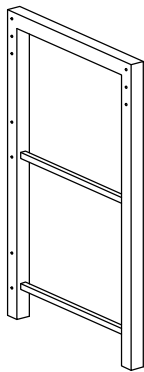

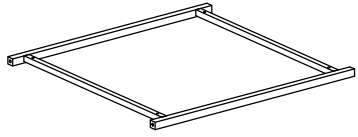
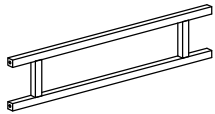
ASSEMBLY INSTRUCTION

XYJ-1

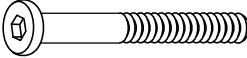
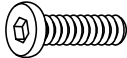
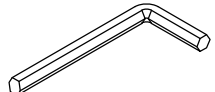

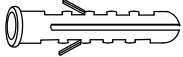





Parts List

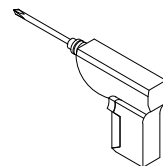
| | | |
|---|--|---|
| <p>1</p>  <p>1 PC</p> | <p>2</p>  <p>2 PCS</p> | <p>3</p>  <p>1 PC</p> |
| <p>4</p>  <p>1 PC</p> | <p>5</p>  <p>2 PCS</p> | |

Hardware List

| | | |
|--|---|---|
| <p>A</p>  <p>M6X70mm</p> <p>14 PCS</p> | <p>B</p>  <p>M6X30mm</p> <p>4 PCS</p> | <p>C</p>  <p>M4</p> <p>1 PC</p> |
| <p>D</p>  <p>4 PCS</p> | <p>E</p>  <p>4 PCS</p> | <p>F</p>  <p>4 PCS</p> |

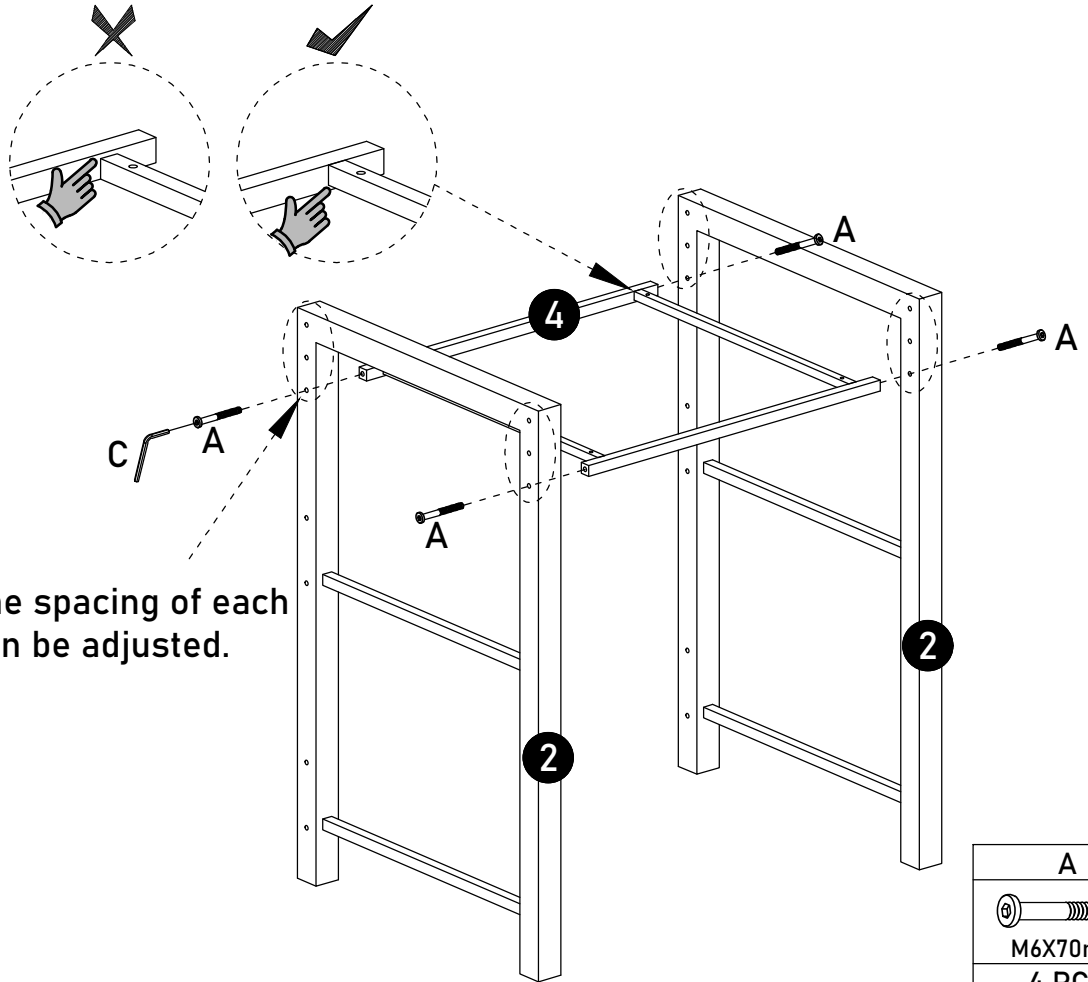
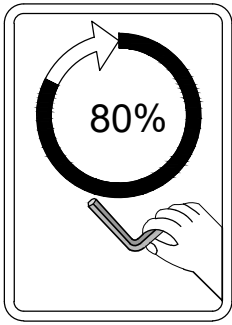


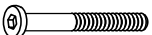
philips head screw driver
required of assembly
(Not include)



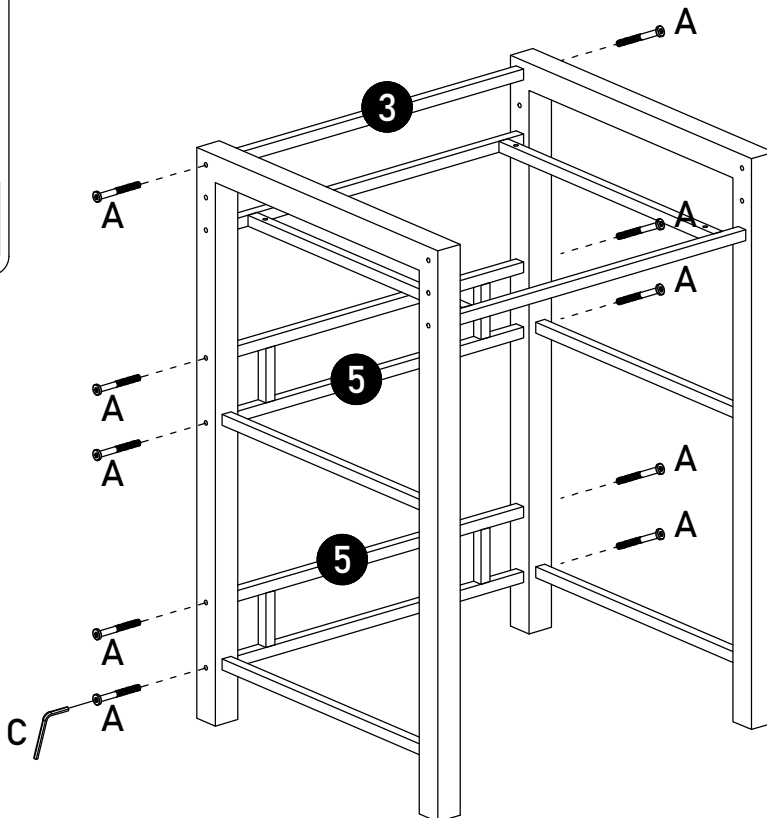
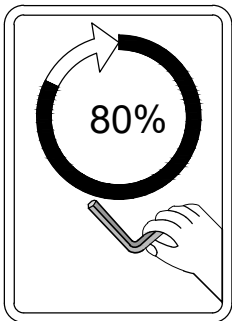
electric drill
(Not include)

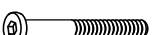
Step 1:



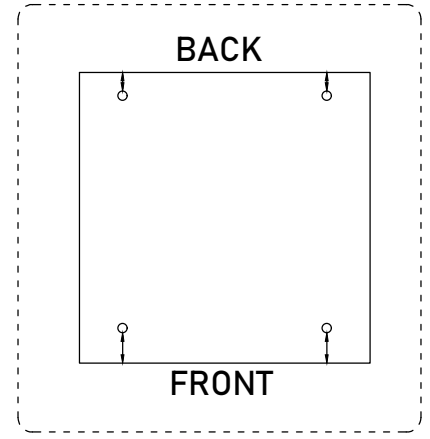
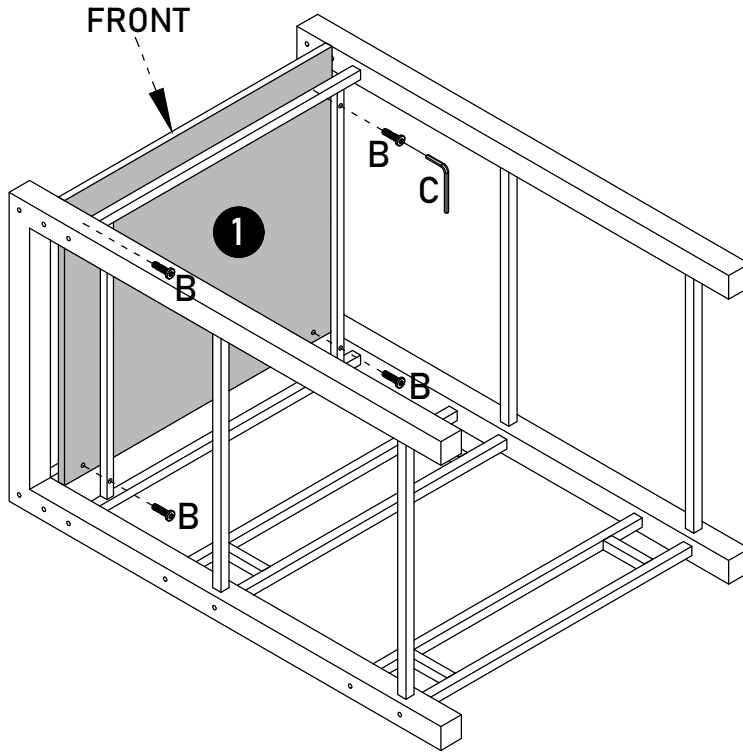
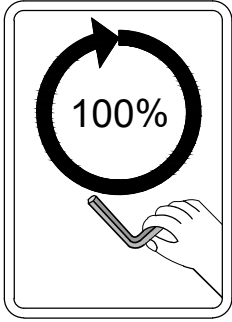
| |
|--|
| A |
|  |
| M6X70mm |
| 4 PCS |


Step 2:



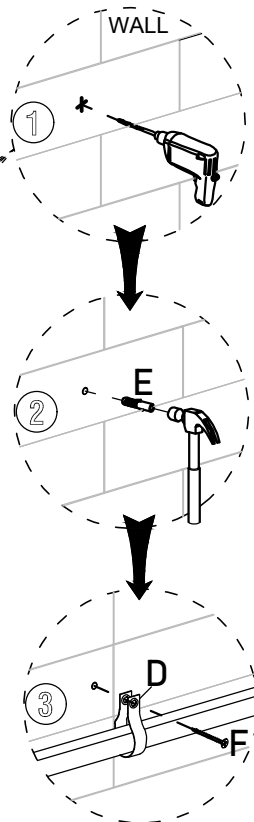
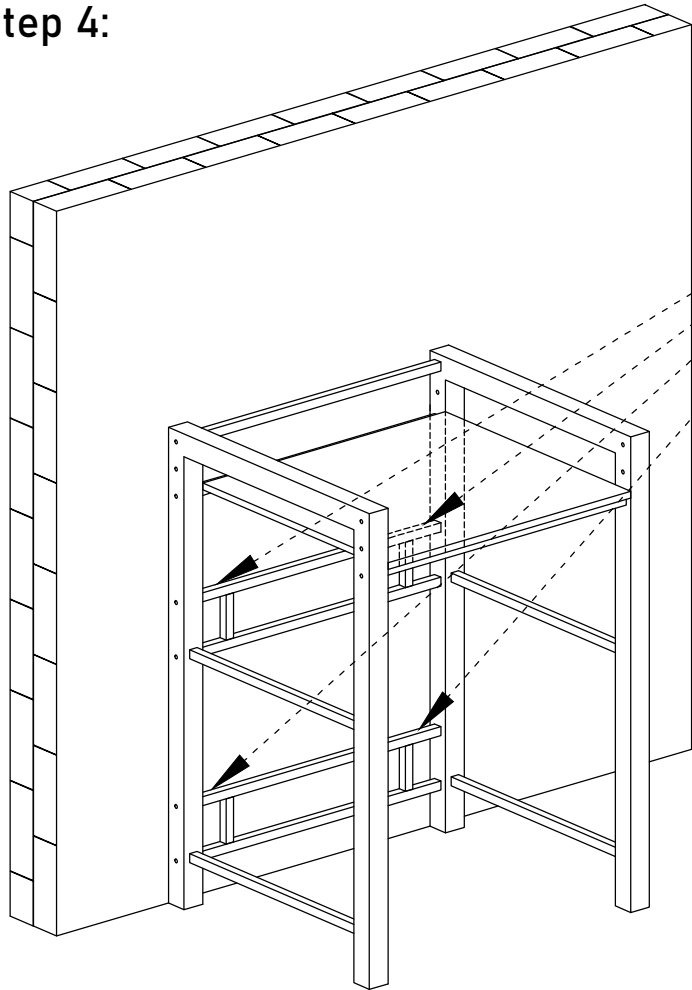
| |
|---|
| A |
|  |
| M6X70mm |
| 10 PCS |



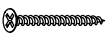
Step 3:



| |
|--|
| B |
|  |
| M6X30mm |
| 4 PCS |

Step 4:



| |
|---|
| D |
|  |
| 4 PCS |
| E |
|  |
| 4 PCS |
| F |
|  |
| 4 PCS |