



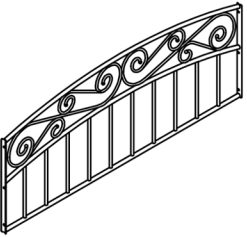
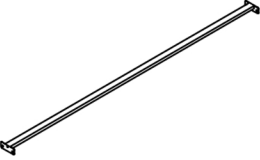
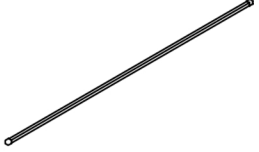


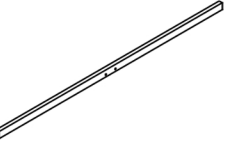
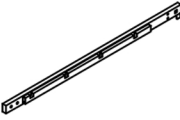

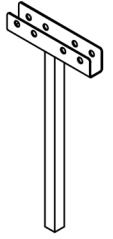
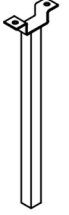
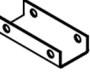








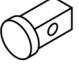






1

PARTS LIST

A	B	C	D	E	O	P	Q	R	S			
												
1PCS	1PCS	1PCS	1PCS	2PCS	1PCS	4PCS	4PCS	2PCS	2PCS			
T	U	V	W	X	Y	Z	a	b	d	e	f	t
												
2PCS	2PCS	2PCS	4PCS	1PCS	4PCS	2PCS	1/4*85 4PCS	1/4*55 2PCS	1/4*40 16PCS	1/4*28 8PCS	1/4*19 16PCS	4PCS
u	v	w	x	y								
												
1/4 4PCS	4PCS	1/4 18PCS	1/4 2PCS	2PCS								

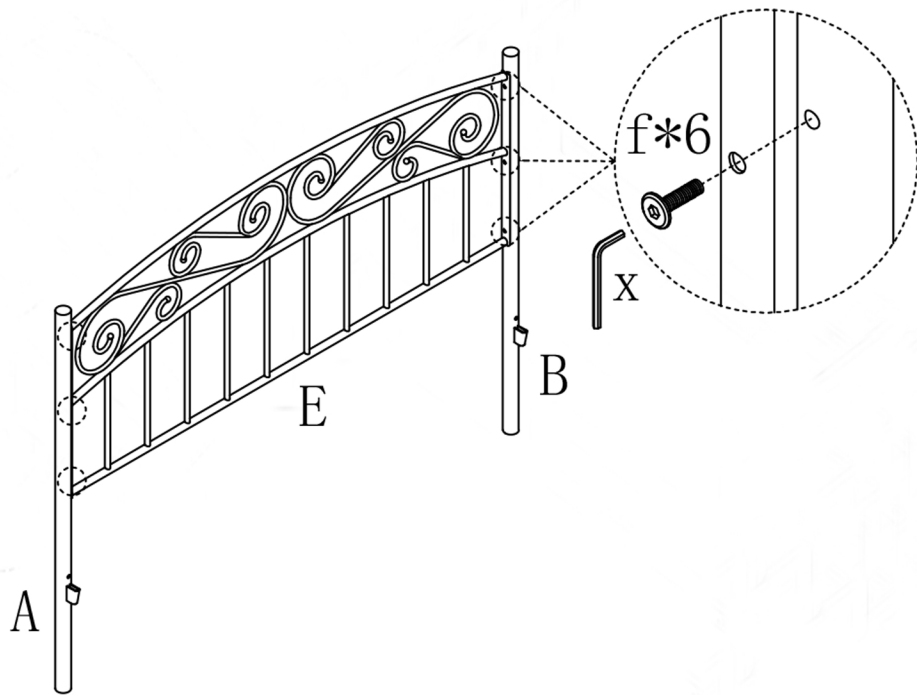
IMPORTANT:

Please check parts list before you start to assembly. If parts damaged or missing. Contact your seller for a FREE REPLACEMENT. Please provide your order number, a brief message about the issue, and your shipping address. Thank you!

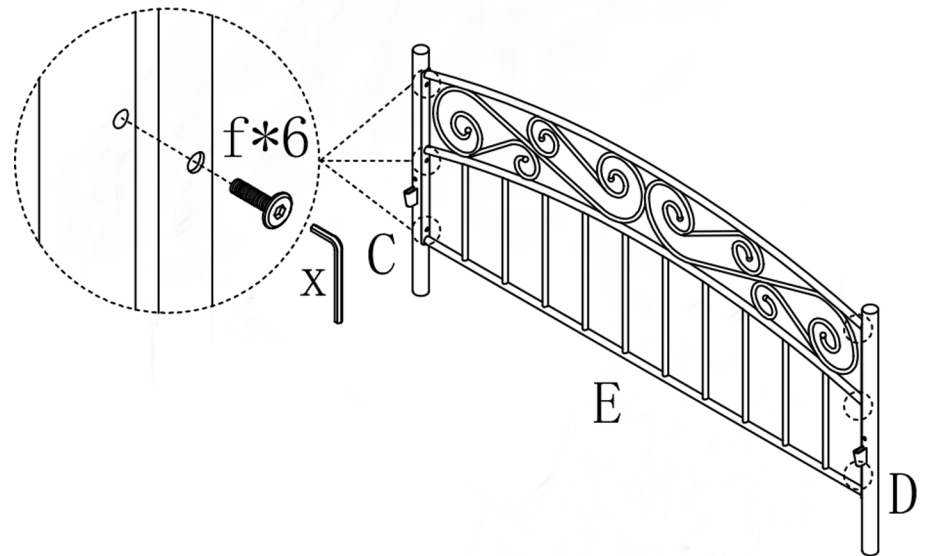
2

NOTE: PLEASE DO NOT TIGHTEN THE BOLTS UNTIL ALL FIXED

①



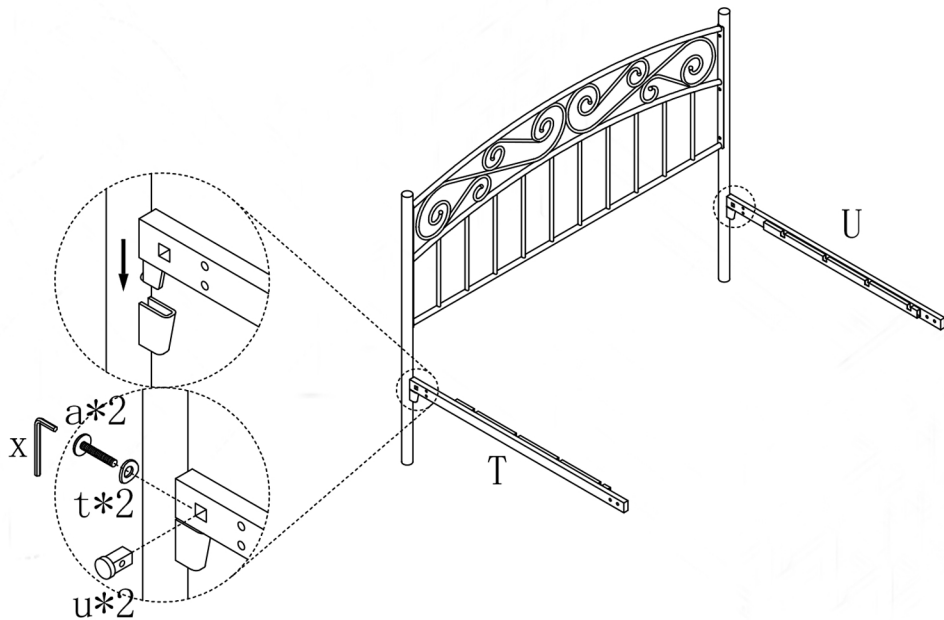
②



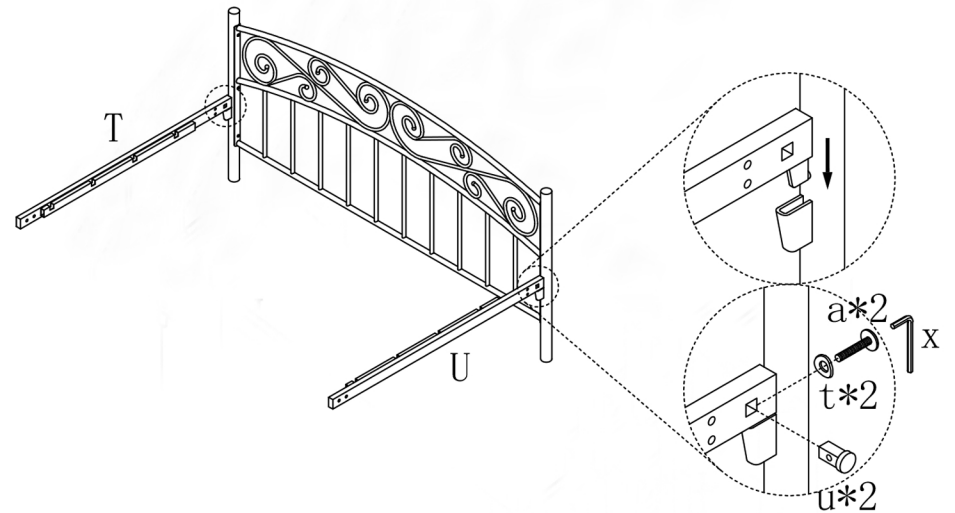
3

NOTE: PLEASE DO NOT TIGHTEN THE BOLTS UNTIL ALL FIXED

3



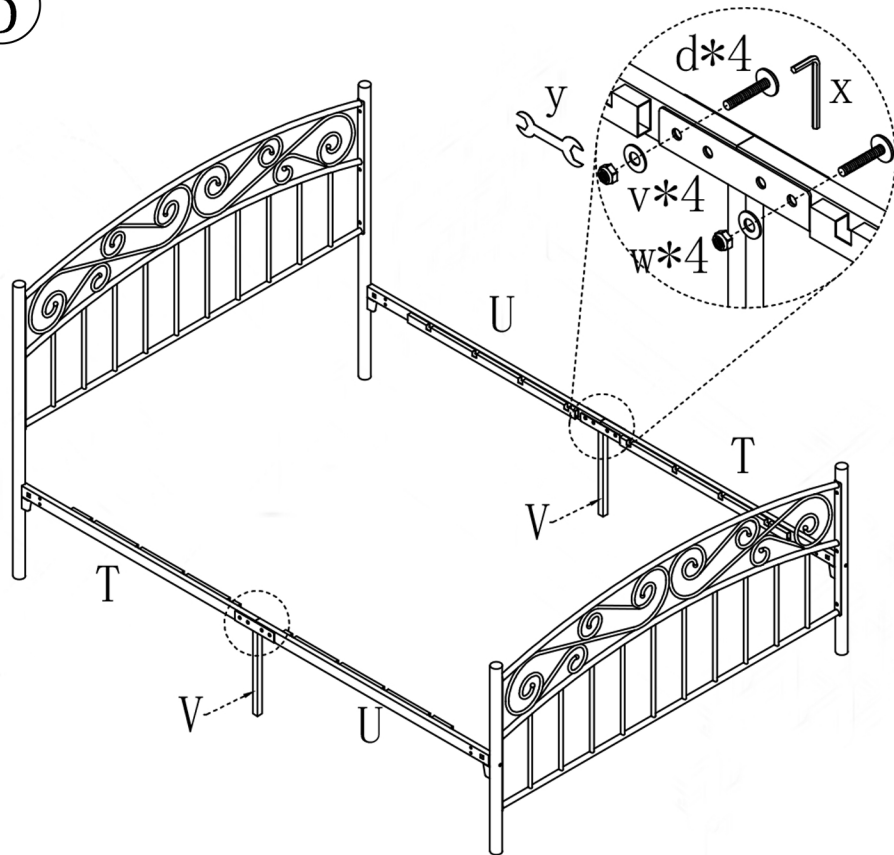
4



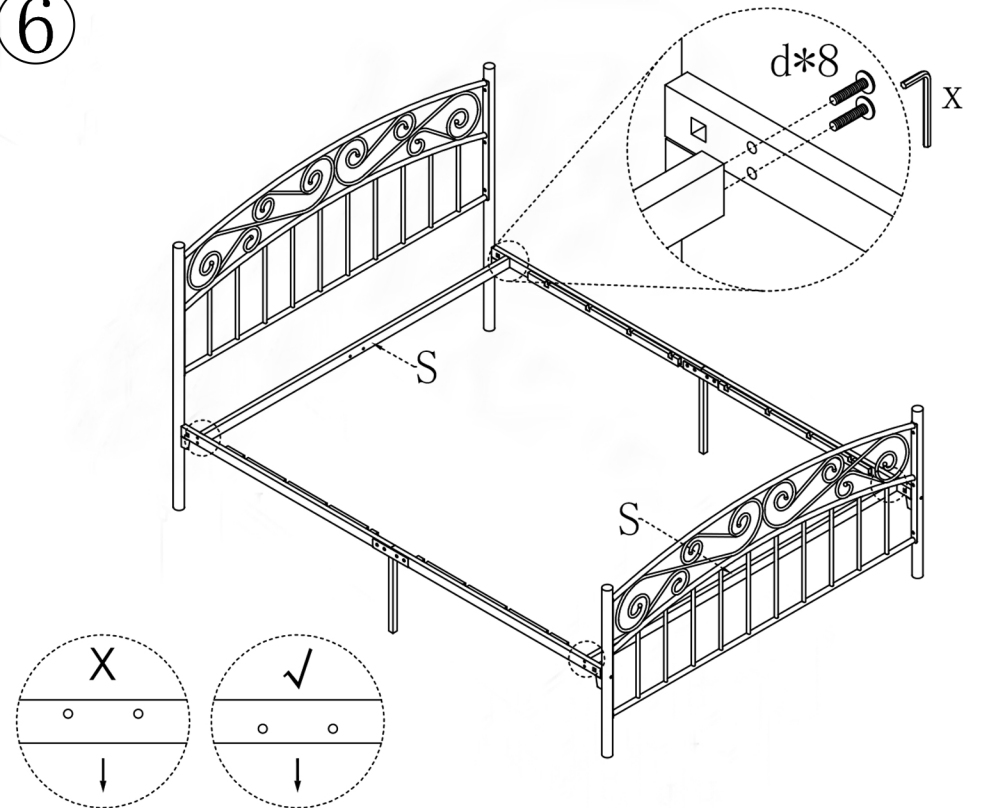
4

NOTE: PLEASE DO NOT TIGHTEN THE BOLTS UNTIL ALL FIXED

5



6

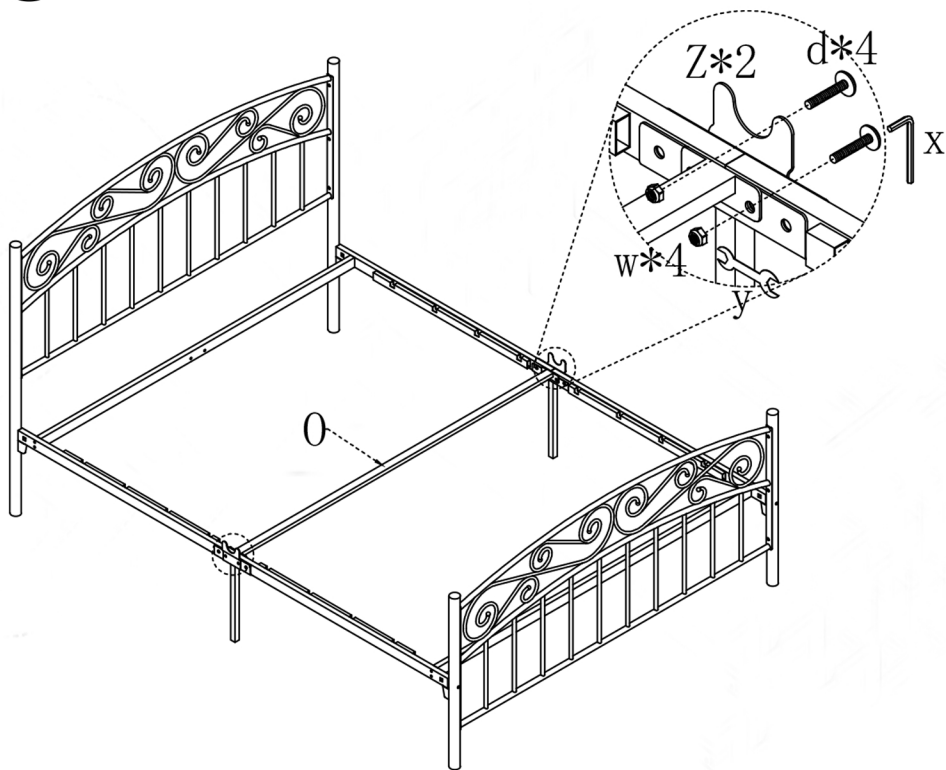


Note: the Part "S" must put in the middle hole position.

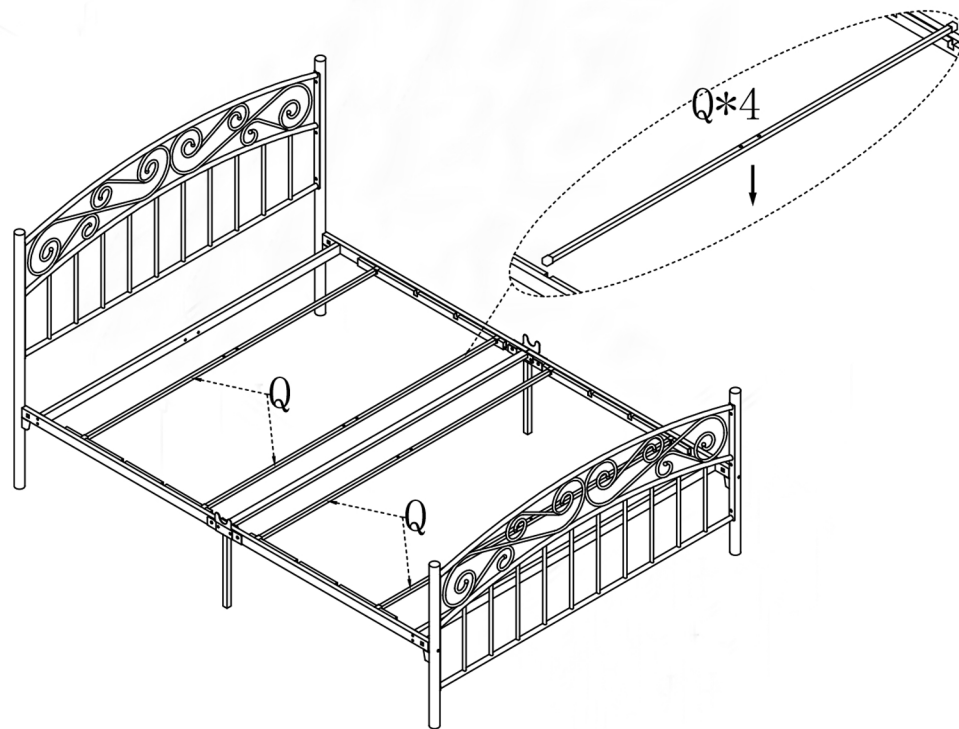
5

NOTE: PLEASE DO NOT TIGHTEN THE BOLTS UNTIL ALL FIXED

7



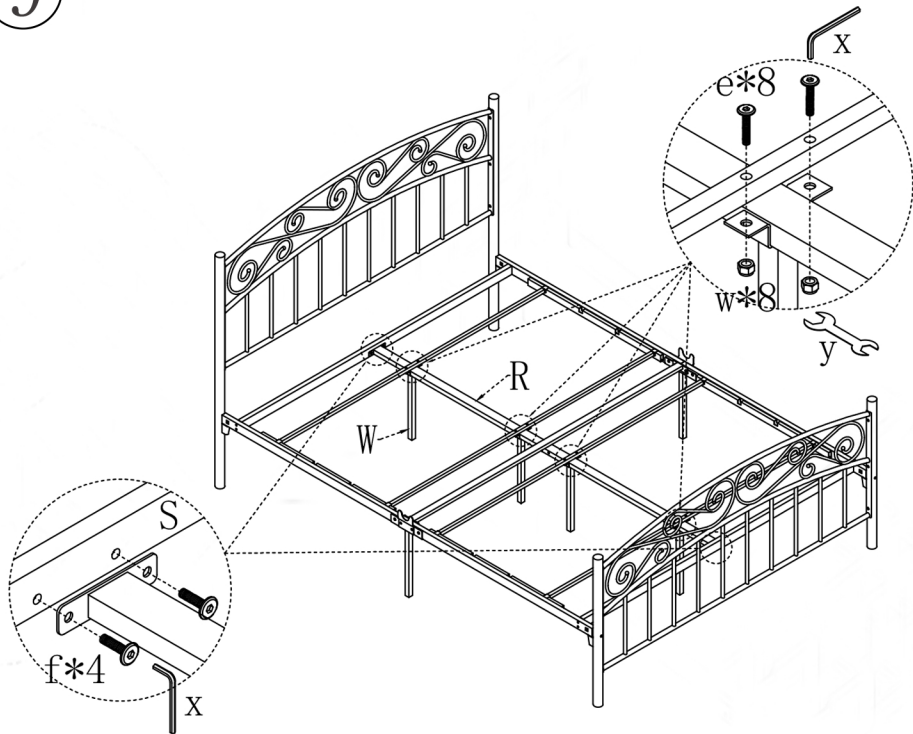
8



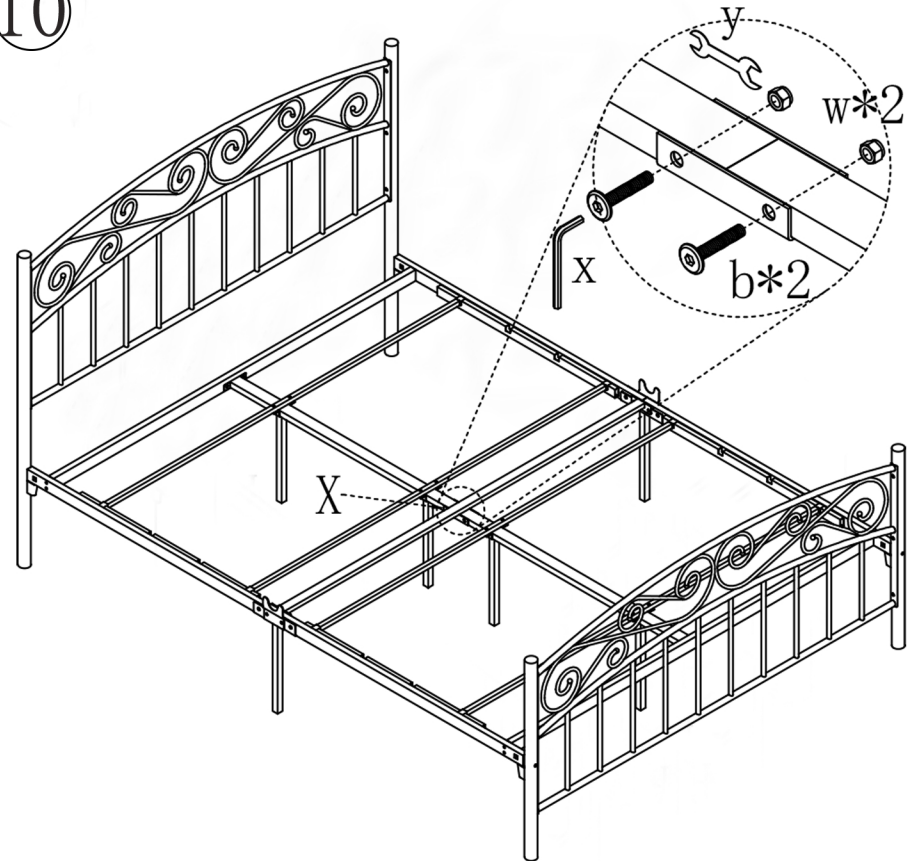
6

NOTE: PLEASE DO NOT TIGHTEN THE BOLTS UNTIL ALL FIXED

9



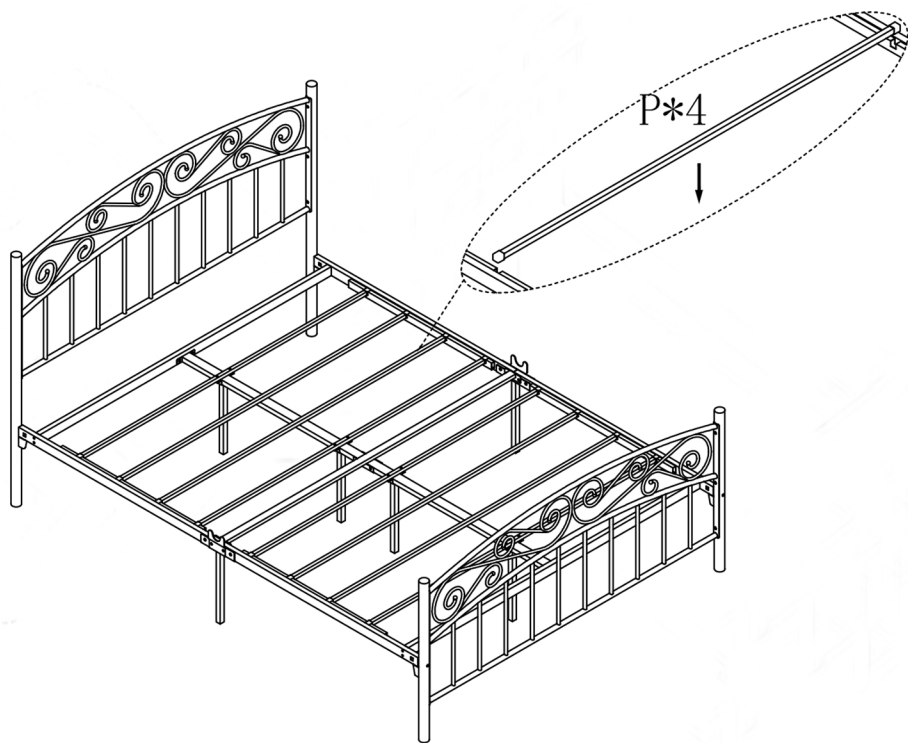
10



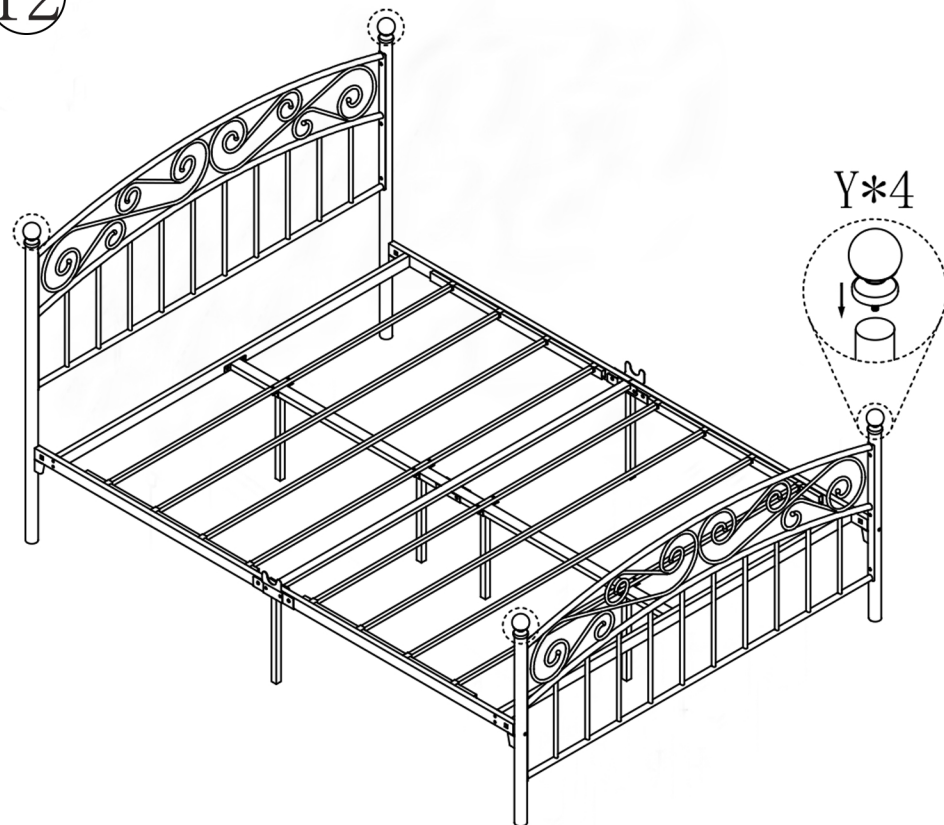
7

NOTE: PLEASE DO NOT TIGHTEN THE BOLTS UNTIL ALL FIXED

11



12



IMPORTANT: Please completely tighten all the bolts and nuts.